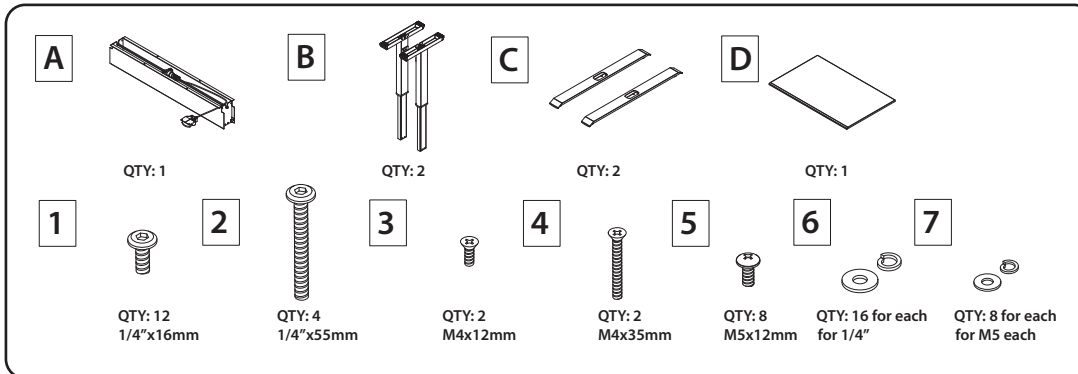


Pneumatic Adjustable Height Standing Desk

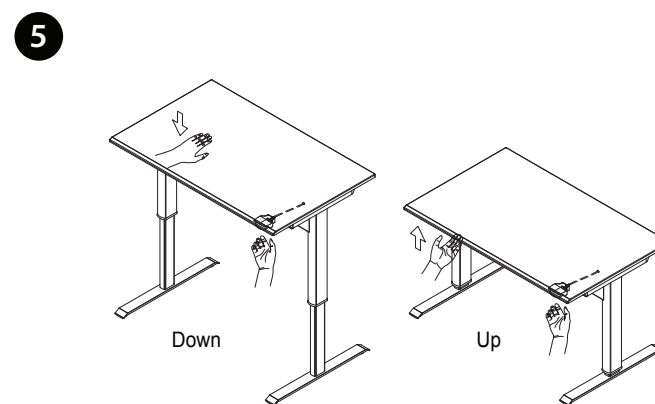
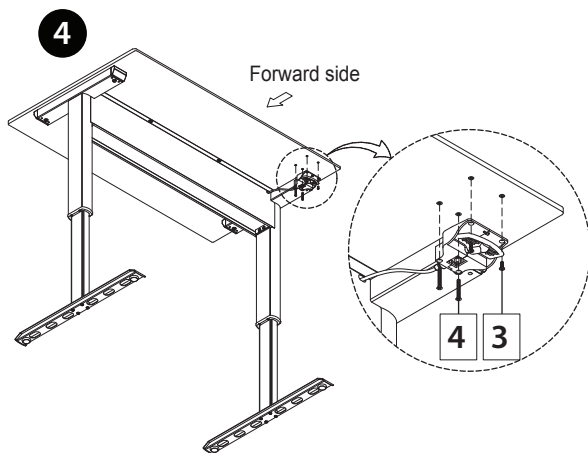
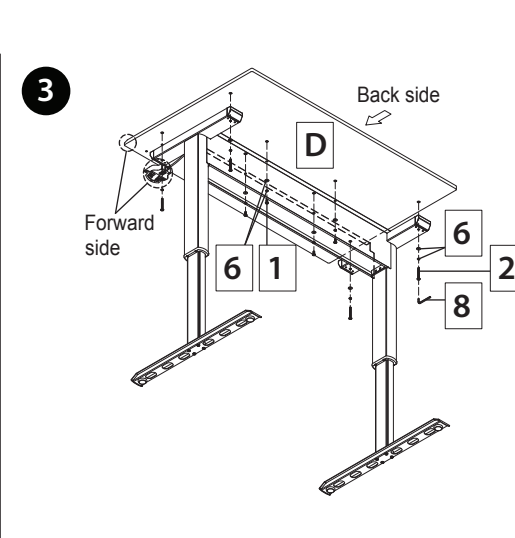
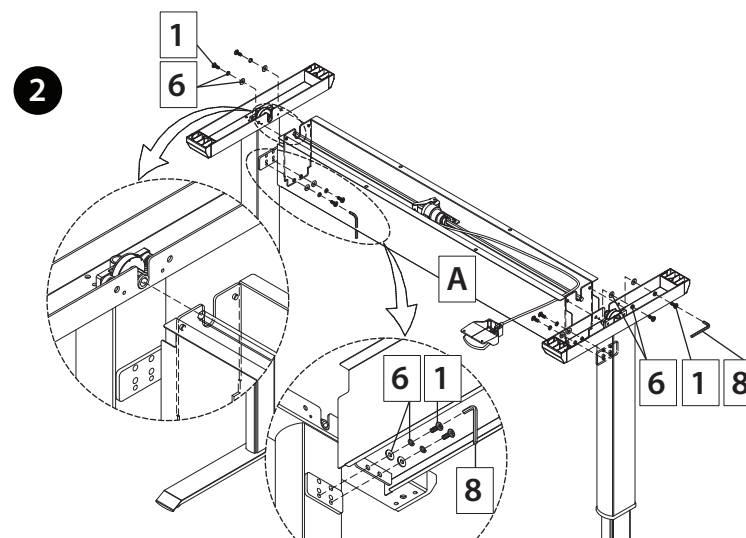
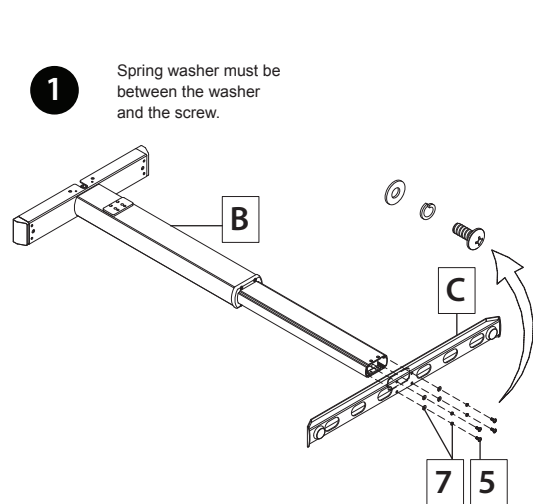


TOOLS PROVIDED



Hex wrench

INSTRUCTIONS



WARNING

1. Legs contain high pressure. Do not open! Do not heat!
2. Small items may present choking hazards - keep out of reach of children under 3 years.
3. Only use this desk for its intended purposes.
4. Sit and stand at this desk, not on it.
5. Follow weight capacity guidelines: stationary 150 lbs, active 30 lbs.
6. Ensure all hardware is secured before use; check and tighten hardware every 6 months for best results.
7. Do not change or modify the infrastructure of this desk in any way.
8. If parts are missing or broken, do not use this desk until they are replaced with authorized parts.