

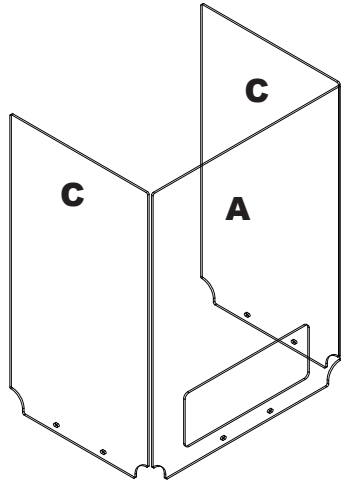
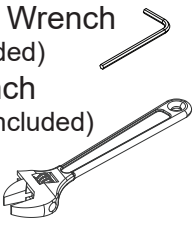
# DIVAVJ Assembly Guide

## Part List

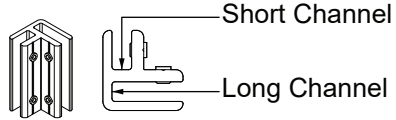
### Tools Needed:

Allen Wrench  
(Included)

Wrench  
(Not Included)



Remove film before assembly



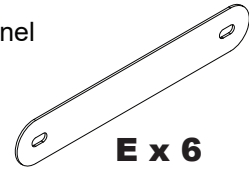
**B x 4** Part B - Top View



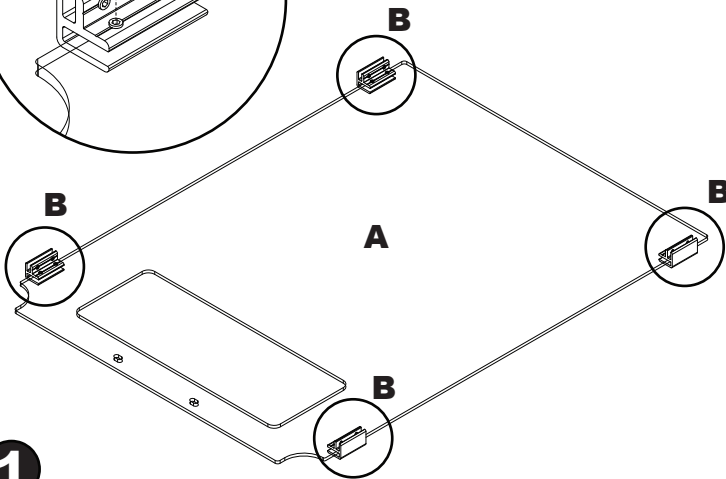
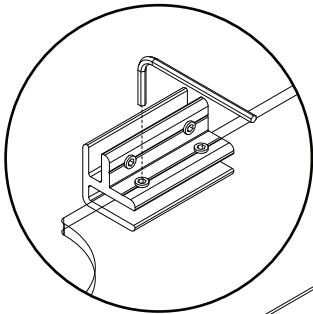
**F x 6**  
M5 Nut



**D x 6**  
M5 x 18 mm



**E x 6**

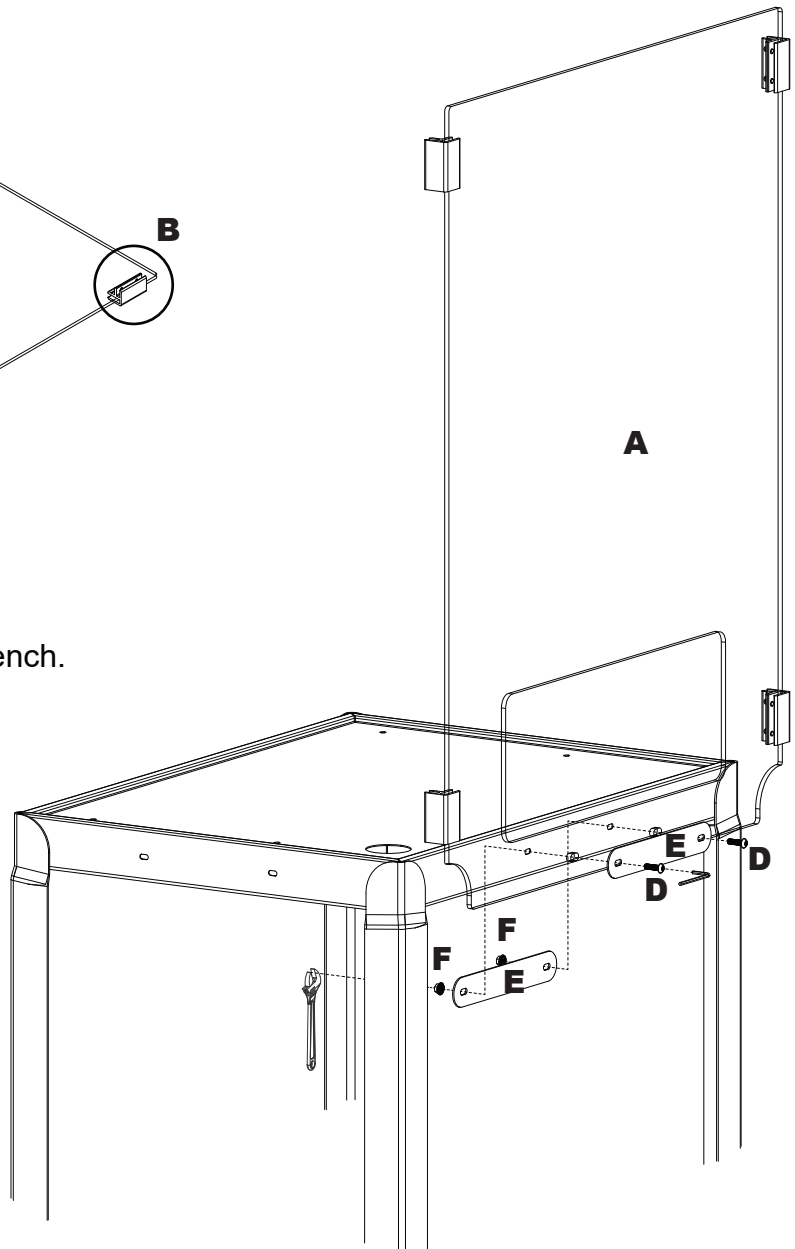


**1**

Install the long channel of 4 x Clamp B near the top and bottom of Panel A. Tighten the set screws with the Allen wrench.

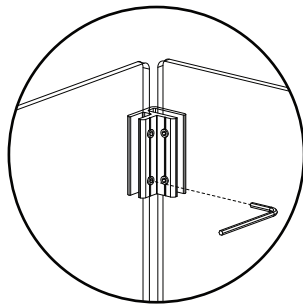
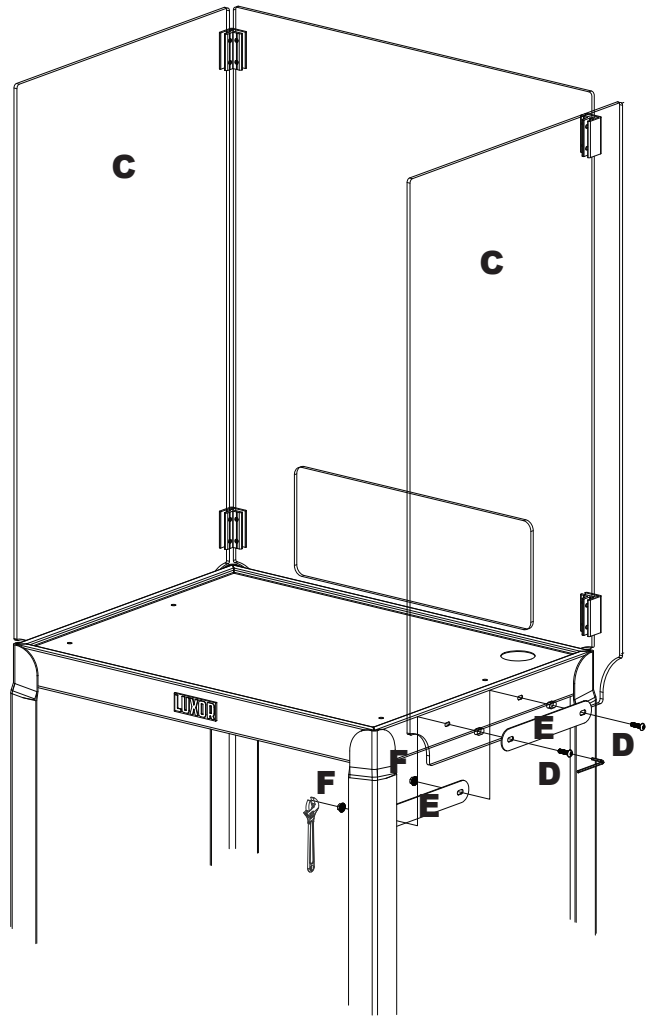
**2**

With assistance, attach Panel A to a pre-assembled cart in the following order: 2 x Screws D, 1 x Spacer E, 1 x panel A, 1 x pre-assembled cart, 1 x Spacer E, and 1 x Nut F. Tighten with the Allen wrench and an adjustable wrench.



**3**

With assistance, attach 2 x Panel B to a pre-assembled cart in the same order as step 2 per side: 2 x Screws D, 1 x Spacer E, 1 x panel A, 1 x pre-assembled cart, 1 x Spacer E, and 1 x Nut F. Tighten with the Allen wrench and an adjustable wrench.



**4**

Tighten the set screws in 4 x Clamp B to 2 x Panel B to Panel A with the Allen wrench. You have completed the assembly.

