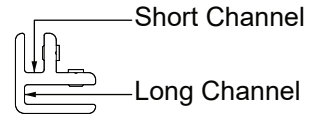
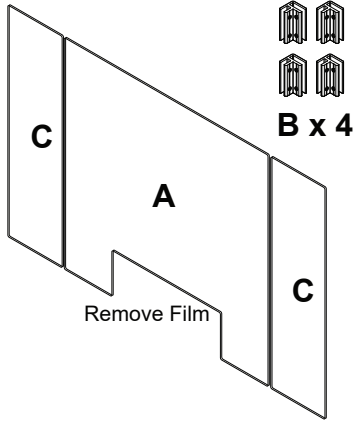


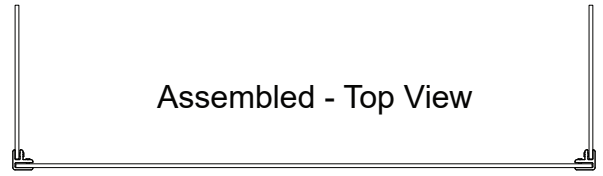
DIVCU Assembly Guide

Part List

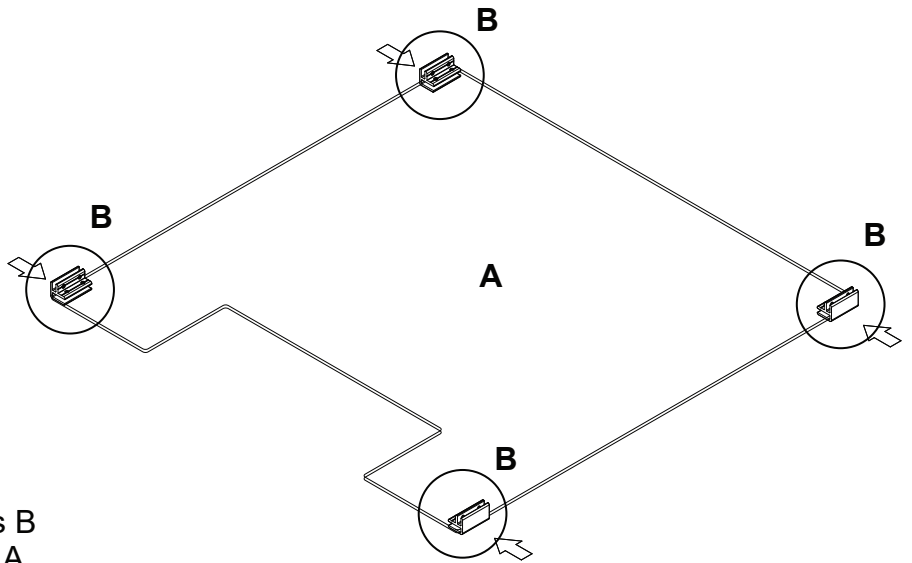
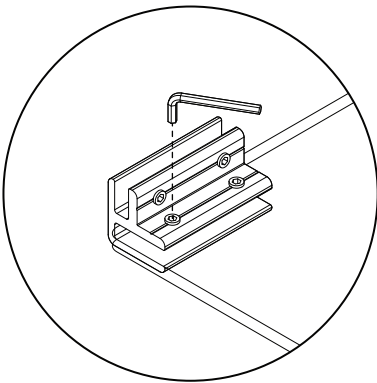
Tools Needed:
Allen Wrench
(Included)



Part B - Top View

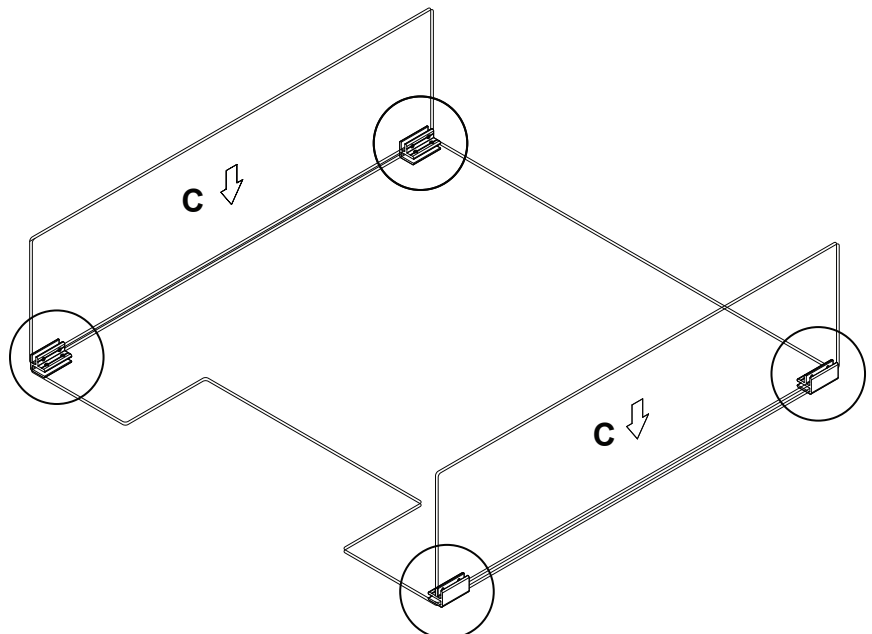
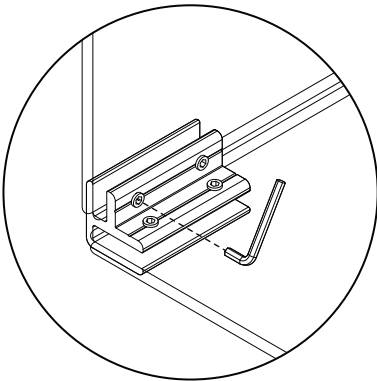


Assembled - Top View



1

Install the long channel of clamps B near the top and bottom of panel A. Tighten the set screws with the Allen wrench.



2

Install panels C into clamps A. Tighten the set screws with the Allen wrench.