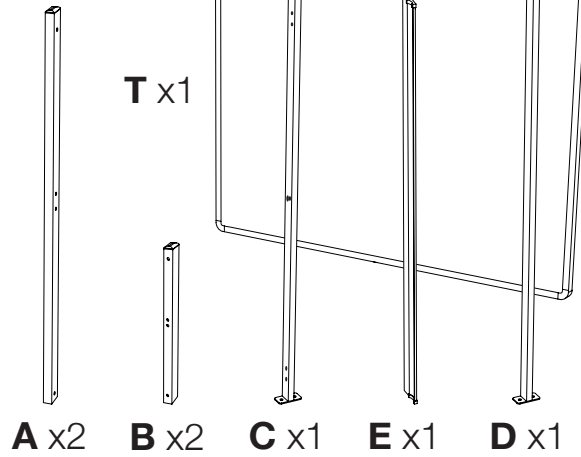




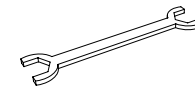
Assistance Required

Parts List

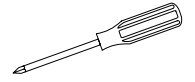


Tools Required

- Additional Wrench



P x1



Q x1



F x4



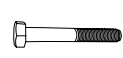
G x10



H x8



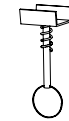
M1 x1



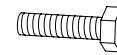
M2 x1



M3 x1



J x1



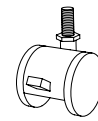
K x8



L x8



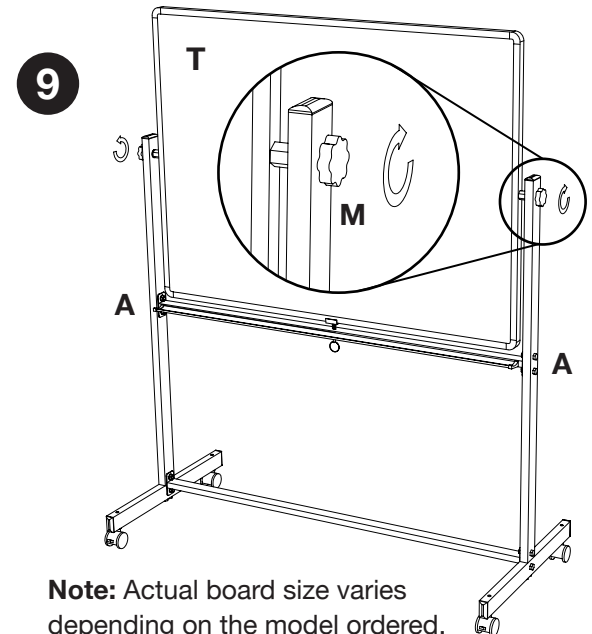
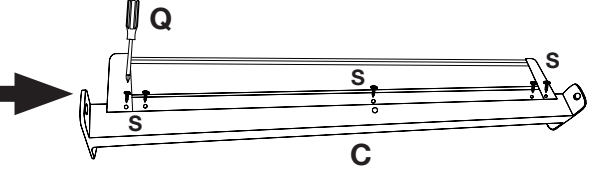
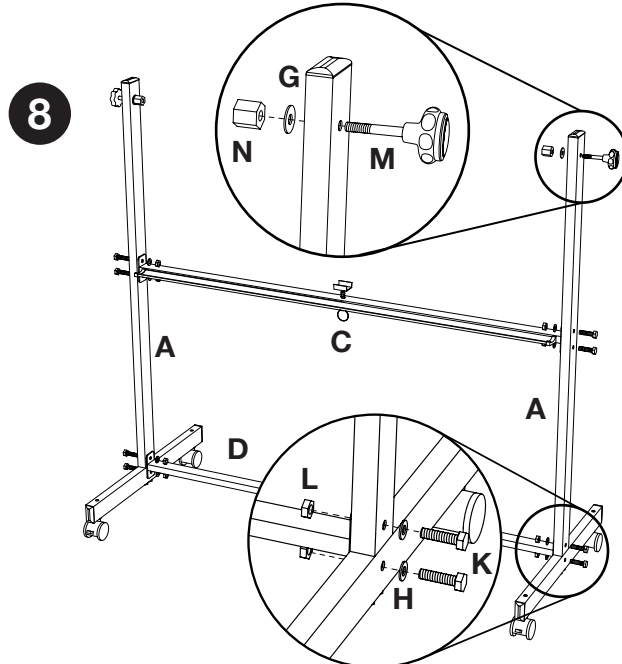
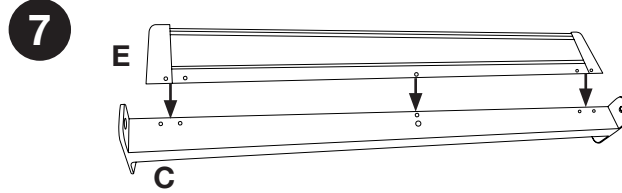
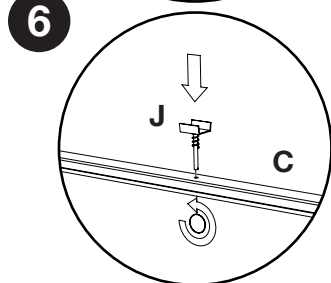
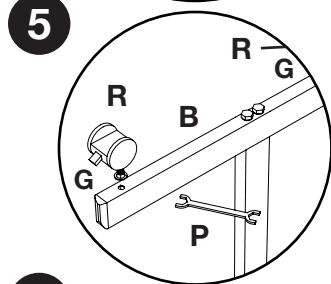
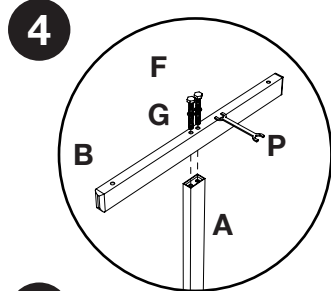
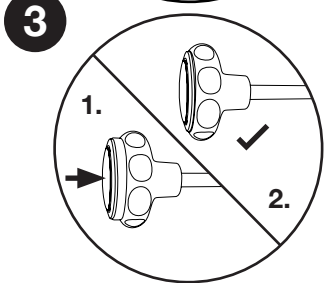
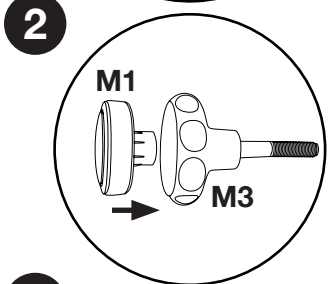
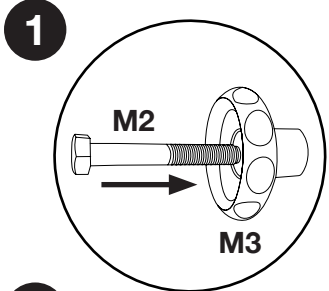
N x2



R x4



S x varies depending on size of board



Note: Actual board size varies depending on the model ordered.