

# PS3945-KBEP

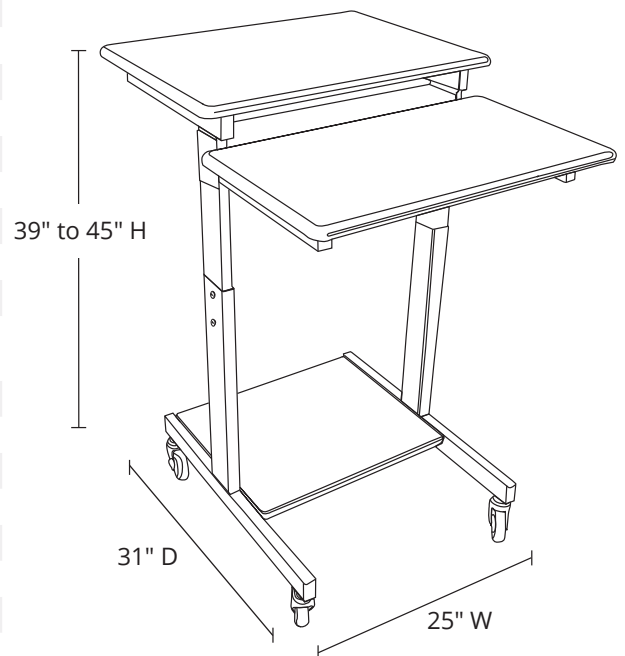
## Mobile Computer Cart with Battery-Powered Device Charger

### Product Specifications - Cart and Device Charger Bundle

Item Number	PS3945-KBEP
Shipping Method	Freight
Shipping Carton Dimensions:	
Box 1: PS3945	29" W x 27" D x 5" H
Box 2: KBEP-2B1C1	21" W x 12" D x 9" H
Shipping Weight:	
Box 1: PS3945	43 lbs.
Box 2: KBEP-2B1C1	13 lbs.

### Product Specifications - Adjustable-Height Presentation Workstation

Item Number	PS3945
Shelf Material	High-density fiberboard
Frame Material	Steel with powder coated finish
Overall Dimensions	24" W x 31" D x 39" to 45"H
Top Shelf Dimensions	24" W x 18" D
Middle Shelf Dimensions	24" W x 14" D
Bottom Shelf Dimensions	18.75" W x 15.75" D
Panel Dimensions	38.5" W x 64" H
Panel Thickness	5/16"
Casters (4)	3" casters; two with locking brakes
Total Weight Capacity (stationary)	176 lbs.
Top Shelf Weight Capacity (stationary)	77 lbs.
Middle Shelf Weight Capacity (stationary)	77 lbs.
Bottom Shelf Weight Capacity (stationary)	22 lbs.
Total Weight Capacity (mobile)	110 lbs.
Top Shelf Weight Capacity (mobile)	44 lbs.
Middle Shelf Weight Capacity (mobile)	44 lbs.
Bottom Shelf Weight Capacity (mobile)	22 lbs.
Product Weight	41 lbs.
Assembly Required	Yes
Warranty	5-year limited warranty



## Product Specifications - KwikBoost EdgePower® Desktop Charging Station System

<b>Item Number</b>	<b>KBEP-2B1C1</b>
<b>AC Outlet Output</b>	<b>Output:</b> 100V-120V, 60Hz, modified sine wave <b>Continuous Output Power:</b> 100W <b>Peak Output Power:</b> 120W (10 minutes)
<b>USB Output</b>	<b>USB-A Port:</b> 5V 2.4A (12W) - Quick Charge 3.0 Technology <b>USB-C PD Port:</b> 5V 2A (10W), 12V 1.5A (18W)
<b>Single Battery Charger Input</b>	100-240V 50/60Hz (2A)
<b>Charging Output to Battery</b>	25.5V 3.0A
<b>Battery Capacity</b>	146.52Wh (18 cells)
<b>Cell Type</b>	18650 Li-ion battery (2200mAh at 3.7V)
<b>Life Cycles</b>	500 times (higher than 80% of the initial capacity)
<b>Shelf-Life</b>	1 year after first charge
<b>Battery Shipping Classifications</b>	UN 3480
<b>Battery Cell Recharge Time</b>	2 hours
<b>Desktop Charging Unit Weight</b>	1.8 lbs.
<b>Rechargeable Battery Weight</b>	2.8 lbs.
<b>Single Battery Charger Weight</b>	1.0 lb.
<b>Desktop Charging Unit Dimensions</b>	8.3" D (10.3" with battery inserted) x 4.9" W x 5.2" to 6" H (based on clamp setting)
<b>Charging Unit Clamp Height Range</b>	0.7" to 1.5"
<b>Rechargeable Battery Dimensions</b>	9.1" D x 3.0" W x 2.1" H
<b>Single Battery Charger Dimensions</b>	0.75" D x 3.25" W x 2.25" H
<b>Warranty</b>	Limited one (1) year from date of shipment
<b>Certifications</b>	FCC, ETL
<b>Operating Temperatures Charging</b>	32° to 113°F (0° to 45°C); Discharge 14° to 131°F (-10° to 55°C)
<b>Device Protection Features</b>	Temperature, short circuit, overcharge, self-balancing algorithm
<b>Output Protection Features</b>	AC/USB outlet, power overflow, voltage overflow/underflow
<b>Input Protection Features</b>	Charging overflow, charging circuit

