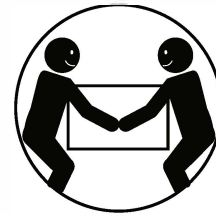
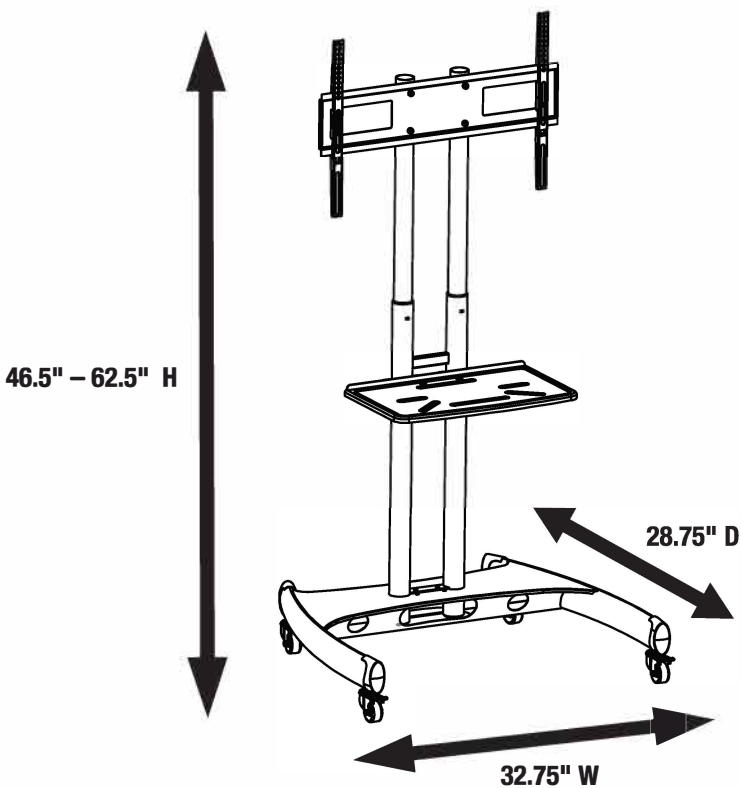


# FP2500 - HEIGHT ADJUSTABLE TV STAND MOUNT WITH SHELF

**Product Specifications:**

<b>Item Number</b>	FP2500
<b>Frame Material</b>	Steel
<b>Dimensions</b>	32.75" W x 28.75" D x 46.5" – 62.5" H
<b>Shelf Dimensions</b>	19.625" W x 12.5" D
<b>Shelf Capacity</b>	25 lbs.
<b>TV Size</b>	40" – 60"
<b>VESA</b>	200 x 200 mm – 600 x 400 mm
<b>Weight</b>	64.82 lbs.
<b>Height Adjustment Increments</b>	2"
<b>Height Adjustment Mechanism</b>	Push Buttons
<b>Cable Management</b>	Internal
<b>Casters (4)</b>	2" nylon casters; all with locking brakes
<b>Mount Weight Capacity</b>	100 lbs.
<b>Shipping Method</b>	Freight
<b>Shipping Dimensions</b>	39" W x 37 " D x 5" H
<b>Shipping Weight</b>	65 lbs.
<b>Assembly Required</b>	Yes



**Heavy Lifting:  
Assistance  
Required**