

38"W X 72" H - Plexiglass Space Divider

STN-DIV-1800

Kiosk Dividers, perfect to place in between check in stations in air terminals, ATM machines, gaming machines, restroom sinks and more. Dividers include 6mm clear plexiglass panels. Frame is lightweight aluminum extrusion. Heavy-duty steel base ensures stability.



features and benefits:

- Heavy-duty steel base ensures stability
- Easy to assemble
- Easy to clean
- Built for convenient portability
- Made in the USA
- More impact resistant than glass
- Custom Sizes Available
- Frame is lightweight aluminum extrusion
- Dividers include 6mm clear plexiglass panels

dimensions:

Hardware

Assembled unit:
11.81" w x 71.5" h x 38.15" d
300mm(w) x 1816mm(h) x 969mm(d)

Approximate weight with cases:
26 lbs / 12 kgs

Shipping

Packing case(s):
N/A

We are continually improving and modifying our product range and reserve the right to vary the specifications without prior notice. All dimensions and weights quoted are approximate and we accept no responsibility for variance. E&OE. See Graphic Templates for graphic bleed specifications.



WARNING: Cancer
www.P65Warnings.ca.gov

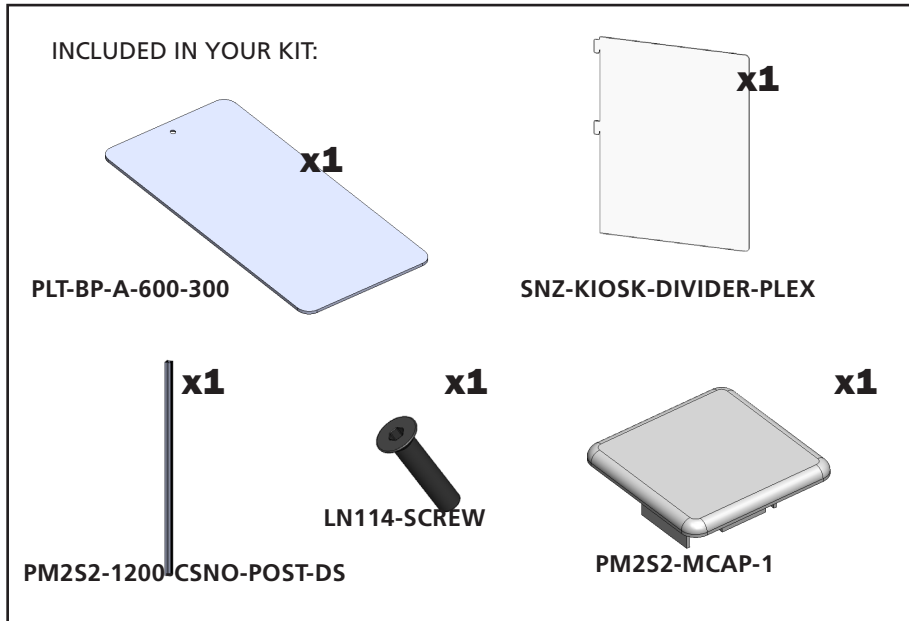


This product may include the following materials for recycle:
aluminum, select wood, fabric, cardboard, paper, steel, and plastics.

*Not to scale

DIVIDER ASSEMBLY

INCLUDED IN YOUR KIT:



The parts list includes: a blue rectangular plate (PLT-BP-A-600-300) with a hole at the top left; a white rectangular divider panel (SNZ-KIOSK-DIVIDER-PLEX) with tabs on the left side; a black vertical post (PM2S2-1200-CSNO-POST-DS); a black screw (LN114-SCREW); and a grey square cap (PM2S2-MCAP-1).

PLT-BP-A-600-300 **x1**

SNZ-KIOSK-DIVIDER-PLEX **x1**

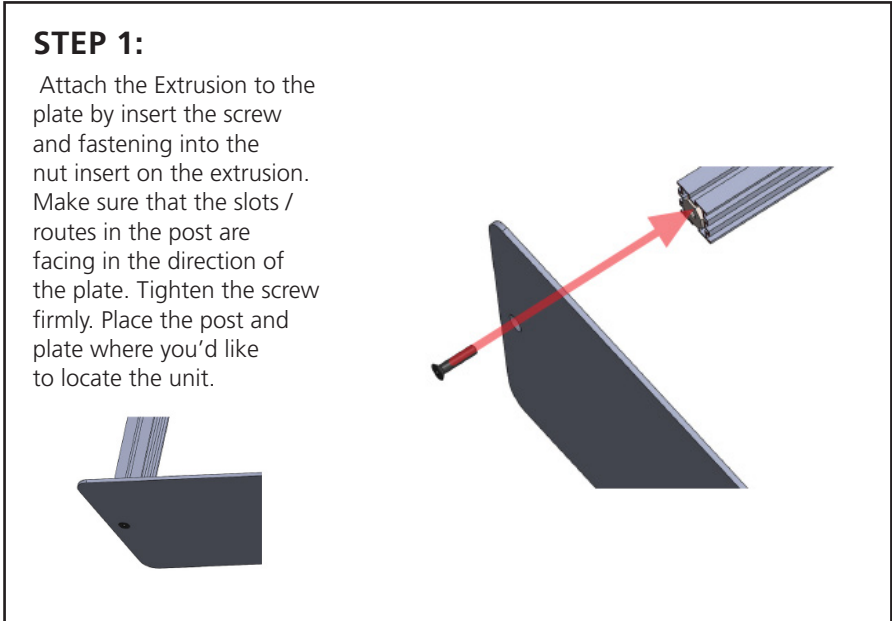
PM2S2-1200-CSNO-POST-DS **x1**

LN114-SCREW **x1**

PM2S2-MCAP-1 **x1**

STEP 1:

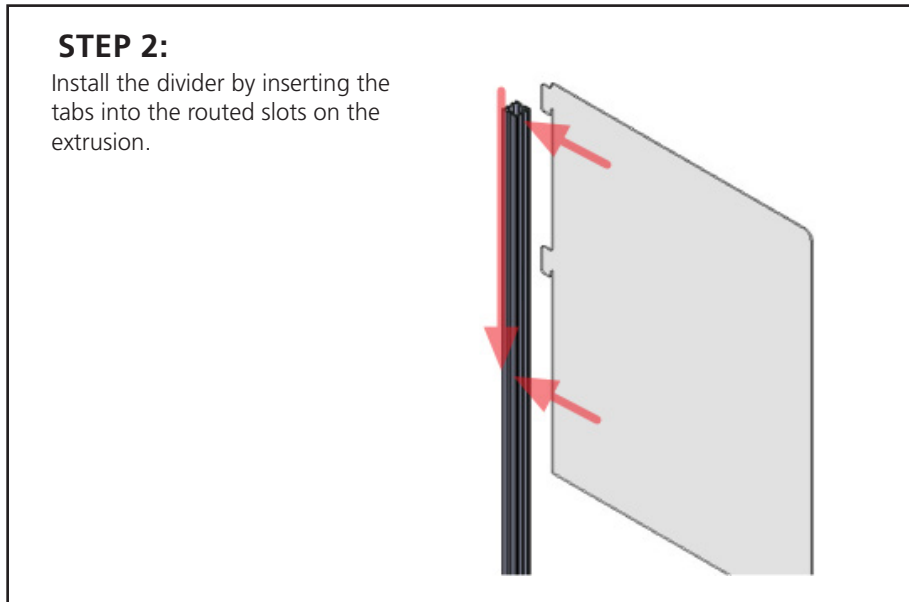
Attach the Extrusion to the plate by insert the screw and fastening into the nut insert on the extrusion. Make sure that the slots / routes in the post are facing in the direction of the plate. Tighten the screw firmly. Place the post and plate where you'd like to locate the unit.



The diagram shows a close-up of a screw being inserted into a nut insert on the extrusion. A red arrow points to the screw. Below, a 3D rendering shows the extrusion being attached to the blue plate. A red arrow points to the location where the extrusion is being attached.

STEP 2:

Install the divider by inserting the tabs into the routed slots on the extrusion.

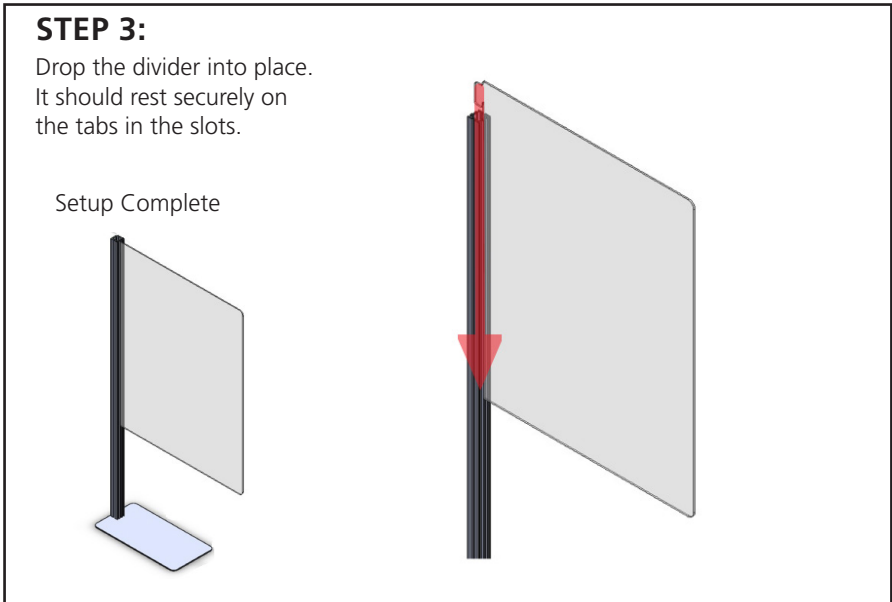


The diagram shows the white divider panel being inserted into the extrusion. Red arrows point to the tabs on the divider and the slots on the extrusion.

STEP 3:

Drop the divider into place. It should rest securely on the tabs in the slots.

Setup Complete



The diagram shows the final assembly. The white divider is now attached to the blue plate. A red arrow points to the divider. Below, a 3D rendering shows the complete assembly. A red arrow points to the divider.