

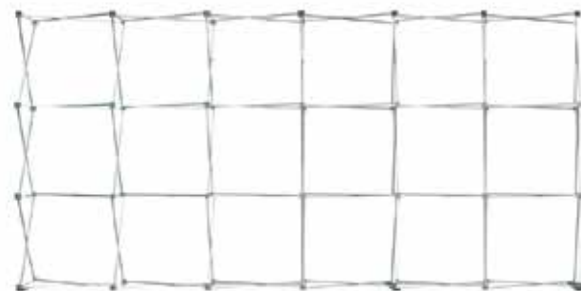
RPL 15 FT. STRAIGHT

RPL FABRIC POP UP DISPLAY

PRODUCT CODE: RPL6X3



On frame On graphic



RPL Light Black
UL Listed
(Optional)



RPL Light Silver
UL Listed
(Optional)



RPL LED Light Black
UL Listed
(Optional)



RPL LED Light Silver
UL Listed
(Optional)



*Package includes padded
Nylon travel bag

PRODUCT DESCRIPTION

The RPL Fabric Pop Up is the perfect display on the go and is ready in minutes. The lightweight aluminum alloy frame locks in place using plastic hooks. Attach the graphic to the frame with hook and loop fasteners. Interchangeable graphics make it a versatile choice. Easily collapse the frame with front graphic attached and stow in your carry bag.

DISPLAY DIMENSIONS	180"W x 89"H x 12"D
GRAPHIC SIZE	200.25"W x 89"H

GRAPHIC MATERIAL

Stretch Fabric

GRAPHIC FINISHING

2" Loop Velcro on back perimeter

DISPLAY CONSTRUCTION

Aluminum frame, 2" Velcro (hook) strips, and plastic hooks.

SHIPPING WEIGHTS & DIMENSIONS

Shipping Weight	36 lbs (stand only) 40 lbs (frame and graphic)
Shipping Dimensions	20"L x 12"W x 35"H

LARGE QUANTITY FREIGHT

Freight Shipping	8 boxes per 48"L x 40"W x 64"H skid
Freight Weight	333 lbs (frame only) 365 lbs (frame & graphic)

GRAPHIC TURN AROUND TIME

Next business day after proof approval

AVAILABLE ACCESSORIES

RPL Light (Black or Silver)	RPL LED Light (Black or Silver)
AVAILABILITY	CA and PA

RPL 15 FT. STRAIGHT

RPL FABRIC POP UP DISPLAY

PRODUCT CODE: RPL6x3

PARTS LIST



(Qty 1) 15ft RPL Frame
(with pre-installed graphic)



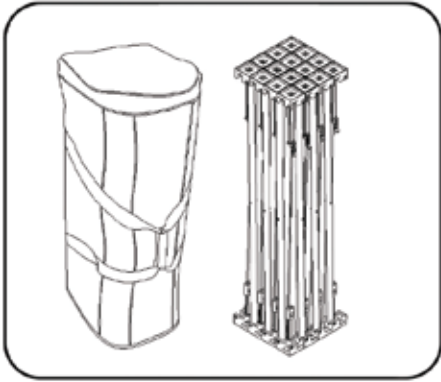
(Qty 1) 15ft RPL Bag

RPL FABRIC POP UP DISPLAY SET UP INSTRUCTIONS

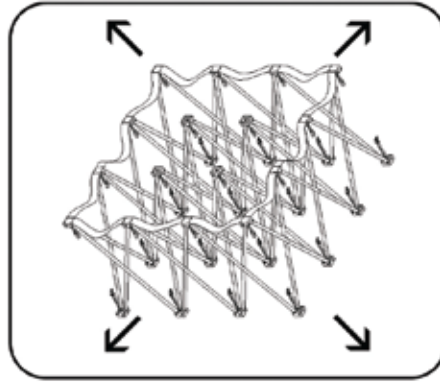
The following instructions are compatible will all shapes and sizes of RPL frames

Frame Assembly

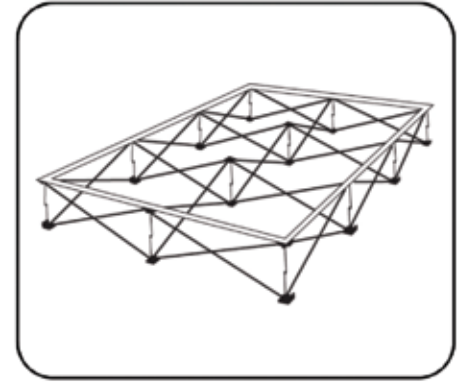
1. Remove frame from bag.



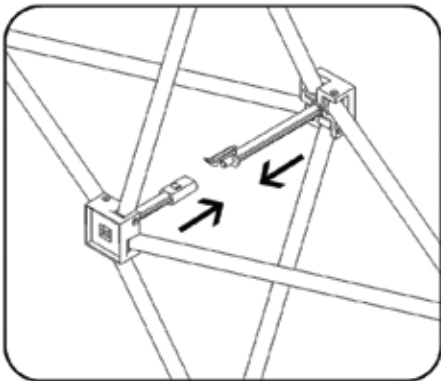
2. Expand frame by pulling outward.



3. Make sure velcro strips are facing up.

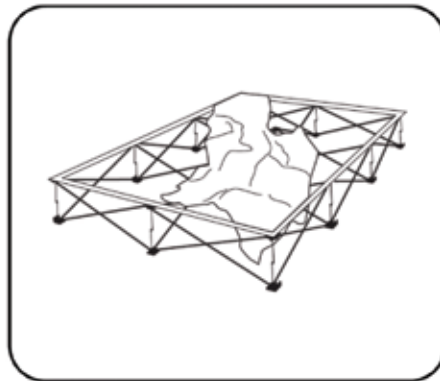


4. Push together all locks on frame to connect.

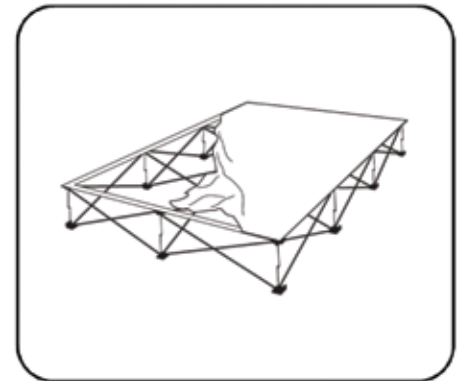


Graphic Installation

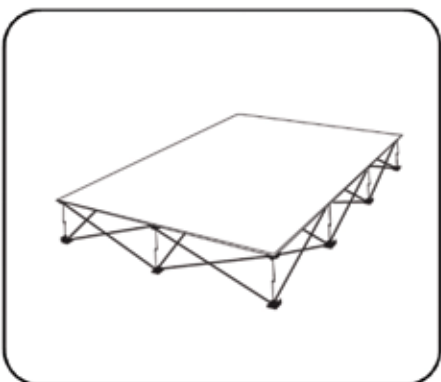
5. Starting at one corner, attach velcro on the graphic to velcro on the frame.



6. Attach the rest of the graphic by working your way around the frame. Make sure graphic is pulled taut while attaching the velcro.



7. If needed, adjust graphic for maximum tautness. Secure end caps to complete.



*Note - To avoid damage, disconnect end caps and all hooks before collapsing frame. Graphic can remain on frame during storage.