

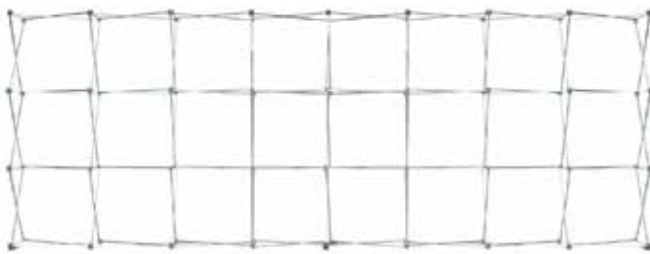
RPL 20 FT. STRAIGHT

RPL FABRIC POP UP DISPLAY

PRODUCT CODE: RPL8X3



On frame On graphic



RPL Light Black
UL Listed
(Optional)



RPL Light Silver
UL Listed
(Optional)



RPL LED Light Black
UL Listed
(Optional)



RPL LED Light Silver
UL Listed
(Optional)



*Package includes padded nylon travel bag

PRODUCT DESCRIPTION

The RPL Fabric Pop Up is the perfect display on the go and is ready in minutes. The lightweight aluminum alloy frame locks in place using plastic hooks. Attach the graphic to the frame with hook and loop fasteners. Interchangeable graphics make it a versatile choice. Easily collapse the frame with front graphic attached and stow in your carry bag.

| | |
|--------------------|---------------------|
| DISPLAY DIMENSIONS | 240"W x 89"H x 12"D |
| GRAPHIC SIZE | 256.5"W x 89"H |

GRAPHIC MATERIAL

Stretch Fabric

GRAPHIC FINISHING

2" Loop Velcro on back perimeter

DISPLAY CONSTRUCTION

Aluminum frame, 2" Velcro (hook) strips, and plastic hooks.

SHIPPING WEIGHTS & DIMENSIONS

| | |
|---------------------|---|
| Shipping Weight | 47 lbs (stand only) 50 lbs (frame and graphic) |
| Shipping Dimensions | 26"L x 12"W x 36"H |

LARGE QUANTITY FREIGHT

| | |
|------------------|---|
| Freight Shipping | 8 boxes per 48"L x 40"W x 65"H skid |
| Freight Weight | 421 lbs (frame only) 445 lbs (frame & graphic) |

GRAPHIC TURN AROUND TIME

Next business day after proof approval

AVAILABLE ACCESSORIES

| | |
|-----------------------------|---------------------------------|
| RPL Light (Black or Silver) | RPL LED Light (Black or Silver) |
| AVAILABILITY | CA and PA |

RPL 20 FT. STRAIGHT

RPL FABRIC POP UP DISPLAY

PRODUCT CODE: RPL8x3

PARTS LIST



(Qty 1) 20ft RPL Frame
(with pre-installed graphic)



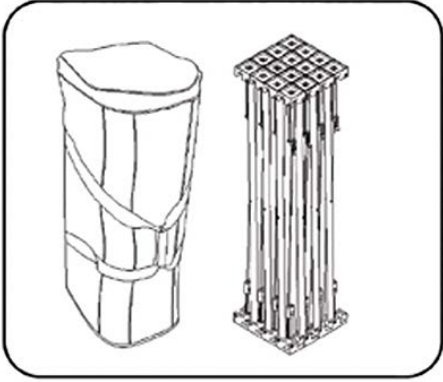
(Qty 1) 20ft RPL Bag

RPL FABRIC POP UP DISPLAY SET UP INSTRUCTIONS

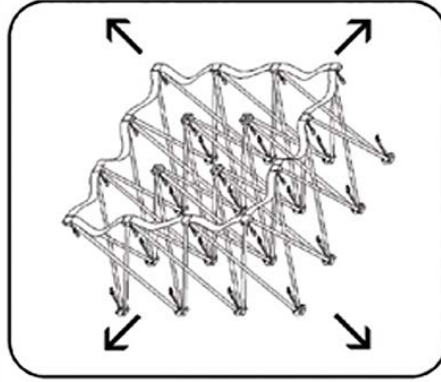
The following instructions are compatible with all shapes and sizes of RPL frames

Frame Assembly

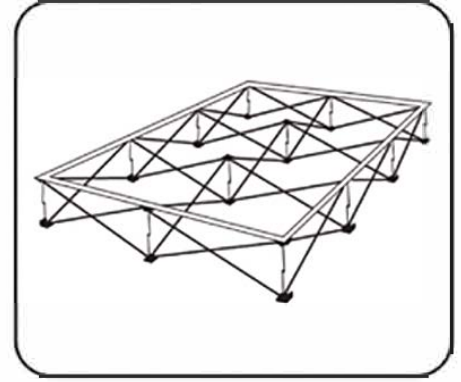
1. Remove frame from bag.



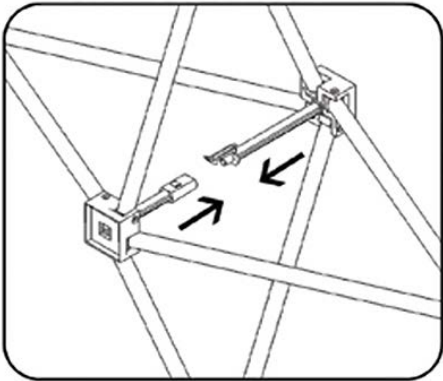
2. Expand frame by pulling outward.



3. Make sure velcro strips are facing up.

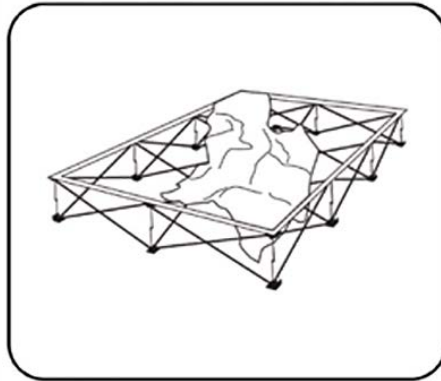


4. Push together all locks on frame to connect.

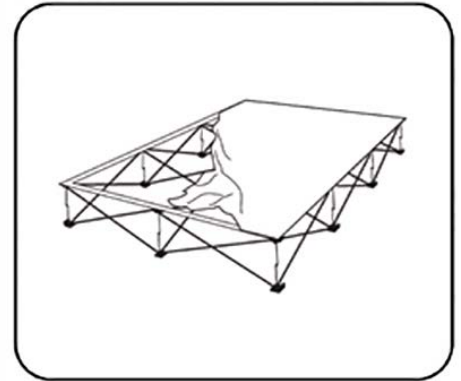


Graphic Installation

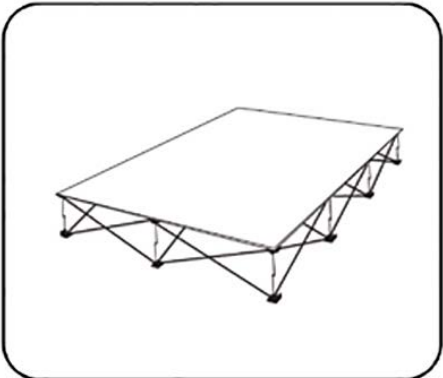
5. Starting at one corner, attach velcro on the graphic to velcro on the frame.



6. Attach the rest of the graphic by working your way around the frame. Make sure graphic is pulled taut while attaching the velcro.



7. If needed, adjust graphic for maximum tautness. Secure end caps to complete.



*Note - To avoid damage, disconnect end caps and all hooks before collapsing frame. Graphic can remain on frame during storage.

