

RPL 30 FT. STRAIGHT

RPL FABRIC POP UP DISPLAY

PRODUCT CODE:RPL12X3



On frame On graphic



Graphic pre-installed with hardware



Hardware only



30ft RPL Bag

PRODUCT DESCRIPTION

The RPL Fabric Pop Up is the perfect display on the go. It's ready in minutes. The lightweight aluminum alloy frame locks in place using plastic hooks. Fasten the graphic to the frame with hook and loop. Interchangeable graphics make it a versatile choice. Easily collapse the frame with front graphic attached and stow in your carry bag.

DISPLAY DIMENSIONS 345"W x 89"H x 12"D

GRAPHIC SIZE 371"W x 89"H

GRAPHIC MATERIAL

Stretch Fabric

GRAPHIC FINISHING

2" loop Velcro around perimeter

DISPLAY CONSTRUCTION

Aluminium frame, plastic hooks, and 2" hook Velcro strips

SHIPPING WEIGHTS & DIMENSIONS

Shipping Weight 68 lbs

Shipping Dimensions 36"L x 36"W x 12"H

LARGE QUANTITY FREIGHT

Freight Shipping 6 boxes per 48"L x 40"W x 65"H skid

Freight Weight 444 lbs (frame only)
492 lbs (frame & graphic)

GRAPHIC TURN AROUND TIME

Next business day after proof approval

AVAILABLE ACCESSORIES

RPL Light (Black or Silver) RPL LED Light (Black or Silver)

AVAILABILITY CA



RPL Light Black
UL Listed
(Optional)



RPL Light Silver
UL Listed
(Optional)



RPL LED Light Black
UL Listed
(Optional)



RPL LED Light Silver
UL Listed
(Optional)

RPL 30 FT. STRAIGHT

RPL FABRIC POP UP DISPLAY

PRODUCT CODE:RPL12x3

PARTS LIST



(qty 1) 30ft RPL Frame
(with pre-installed graphic)



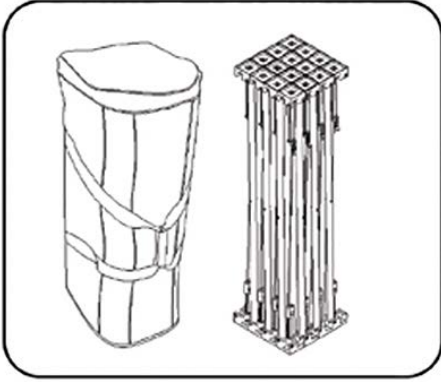
(qty.1) 30ft RPL Bag

RPL FABRIC POP UP DISPLAY SET UP INSTRUCTIONS

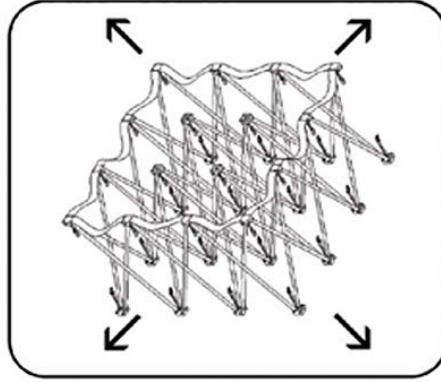
The following instructions are compatible with all shapes and sizes of RPL frames

Frame Assembly

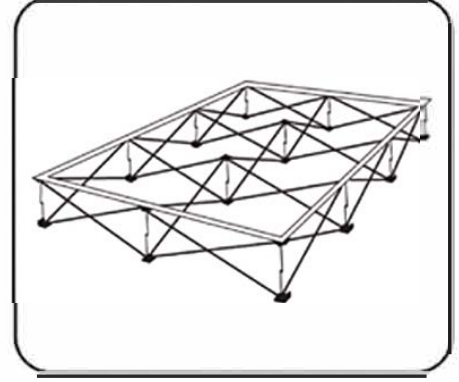
1. Remove frame from bag.



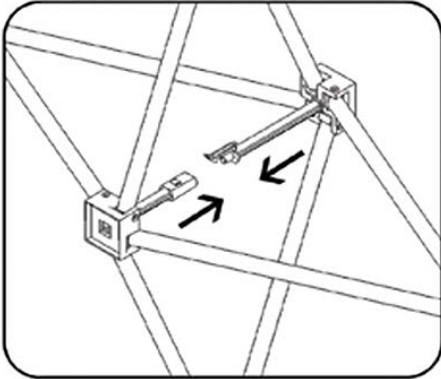
2. Expand frame by pulling outward.



3. Make sure velcro strips are facing up.

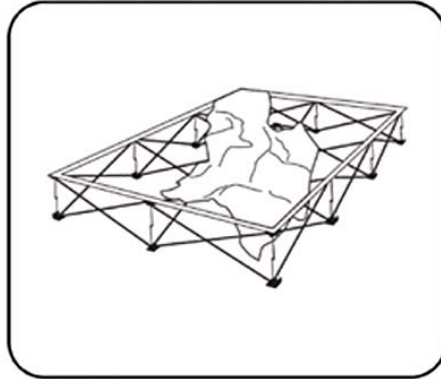


4. Push together all locks on frame to connect.

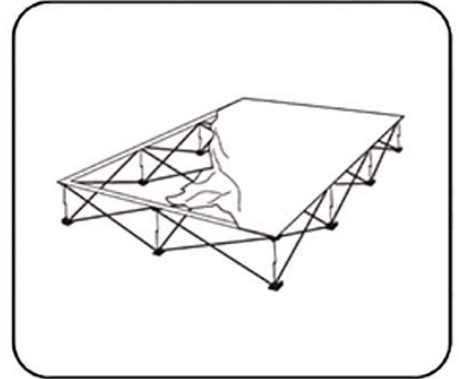


Graphic Installation

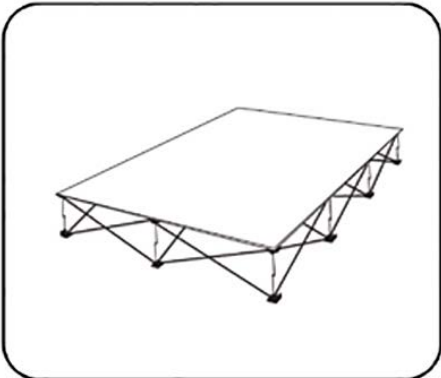
5. Starting at one corner, attach velcro on the graphic to velcro on the frame.



6. Attach the rest of the graphic by working your way around the frame. Make sure graphic is pulled taut while attaching the velcro.



7. If needed, adjust graphic for maximum tautness. Secure end caps to complete.



*Note - To avoid damage, disconnect end caps and all hooks before collapsing frame. Graphic can remain on frame during storage.