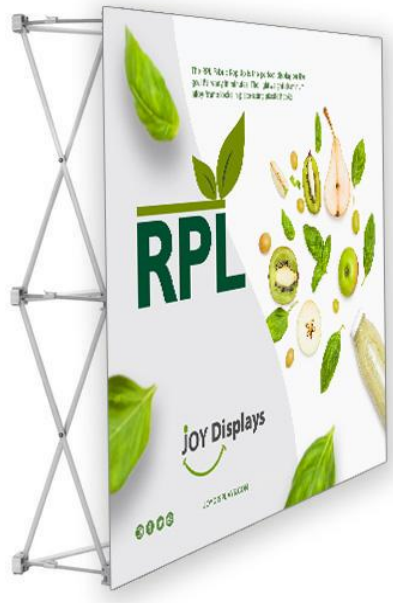


# RPL 5' STRAIGHT

RPL FABRIC POP UP DISPLAY  
 PRODUCT CODE: RPL2X2STR



On frame On graphic



## PRODUCT DESCRIPTION

The RPL Fabric Pop Up is the perfect display on the go and is ready in minutes. The lightweight aluminum alloy frame locks in place using plastic hooks. Attach the graphic to the frame with hook and loop fasteners. Interchangeable graphics make it a versatile choice. Easily collapse the frame with front graphic attached and stow in your carry bag.

DISPLAY DIMENSIONS	60"W x 60"H x 12"D
GRAPHIC SIZE	83.54"W x 59.92"H

## GRAPHIC MATERIAL

Stretch Fabric

## GRAPHIC FINISHING

2" Loop Velcro on back perimeter

## DISPLAY CONSTRUCTION

Aluminum frame, 2" Velcro (hook) strips, and plastic hooks.

## SHIPPING WEIGHTS & DIMENSIONS

Shipping Weight	12 lbs (stand only) 14 lbs (frame and graphic)
Shipping Dimensions	9"L x 9"W x 35"H

## LARGE QUANTITY FREIGHT

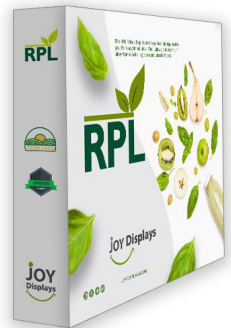
Freight Shipping	32 boxes per 48"L x 40"W x 75"H skid
Freight Weight	421 lbs (frame only) 493 lbs (frame & graphic)

## GRAPHIC TURN AROUND TIME

Next business day after proof approval

## AVAILABLE ACCESSORIES

RPL Light (Black or Silver)	RPL LED Light (Black or Silver)
<b>AVAILABILITY</b>	
CA and PA	



\*Package includes padded nylon travel bag



RPL Light Black  
UL Listed  
(Optional)



RPL Light Silver  
UL Listed  
(Optional)



RPL LED Light Black  
UL Listed  
(Optional)



RPL LED Light Silver  
UL Listed  
(Optional)

# RPL 5' STRAIGHT

RPL FABRIC POP UP DISPLAY  
PRODUCT CODE: RPL2X2STR

## PARTS LIST



(Qty 1) 5' RPL Frame  
(with pre-installed graphic)



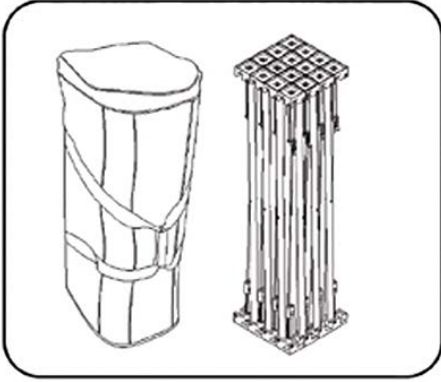
(Qty 1) 5' RPL Bag

# RPL FABRIC POP UP DISPLAY SET UP INSTRUCTIONS

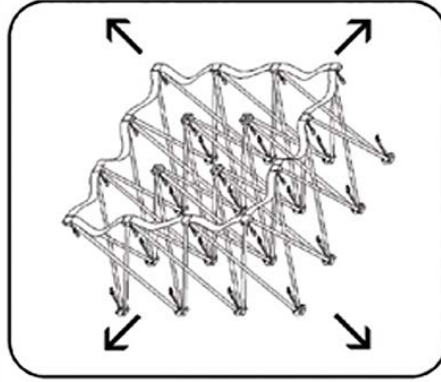
The following instructions are compatible will all shapes and sizes of RPL frames

## Frame Assembly

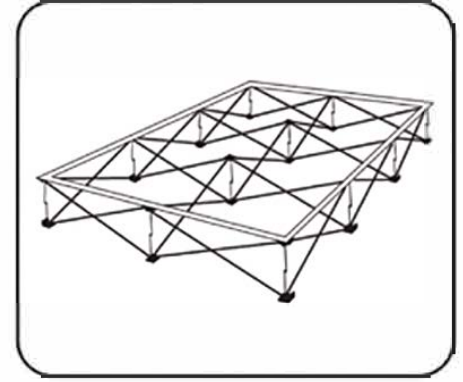
1. Remove frame from bag.



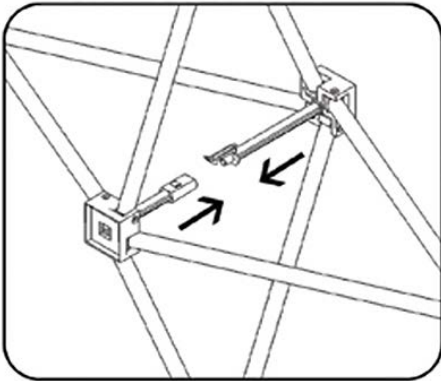
2. Expand frame by pulling outward.



3. Make sure velcro strips are facing up.

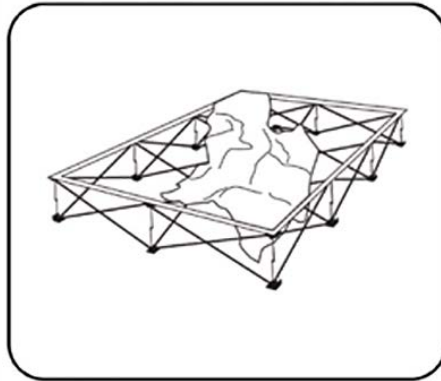


4. Push together all locks on frame to connect.

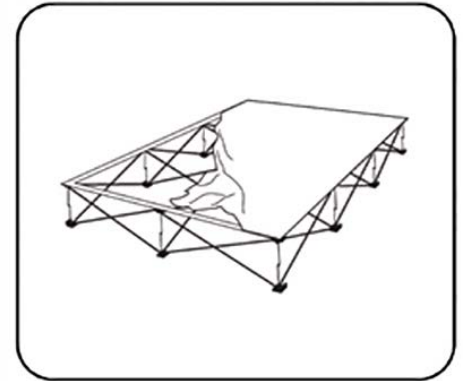


## Graphic Installation

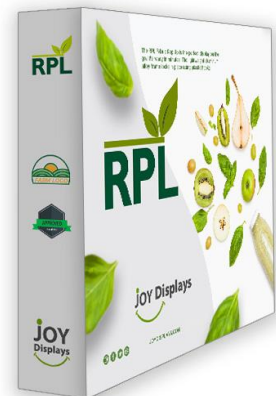
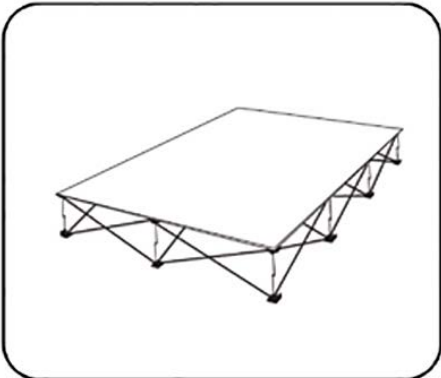
5. Starting at one corner, attach velcro on the graphic to velcro on the frame.



6. Attach the rest of the graphic by working your way around the frame. Make sure graphic is pulled taut while attaching the velcro.



7. If needed, adjust graphic for maximum tautness. Secure end caps to complete.



\*Note - To avoid damage, disconnect end caps and all hooks before collapsing frame. Graphic can remain on frame during storage.