

# JOLLY TUBE 8FT STRAIGHT DISPLAY

## Product Description

Introducing Jolly Tube! These displays are practical, modern, and great for long term use. The aluminum tubes are lightweight and sturdy. Its easy set up makes it great for a 1-2 person team. To set up, align the numbers on each end and snap the poles together. With just a few clicks, this frame is ready to be decorated. Simply smooth the fabric like a pillowcase, slide it on from the top of the frame, and zip to secure. Then you're ready to rock and roll. The Jolly Tube is available in curved or straight frames with up to 4 sizes available. Place your order online and be ready to Jolly.

## Display Dimensions

94.875"W x 91.5"H x 19.75"D

## Graphic Size

91"W x 91"H

## Graphic Material

Stretch Fabric

## Graphic Finishing

Sewn on left, right and top with zipper closure at the bottom

## Display Construction

43mm diameter aluminum tube frame

## Shipping Weights

28 lbs (stand only)

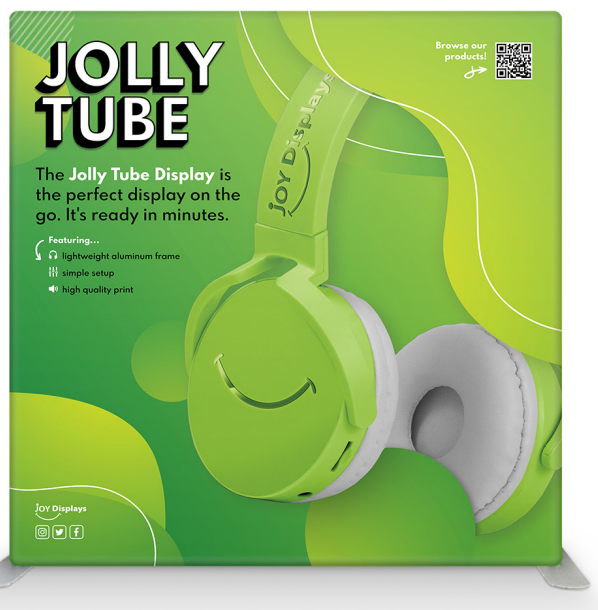
32 lbs (frame and graphic)

## Shipping Dimensions

11"L x 48"W x 6"H

## Graphic Turn Around Time

3-4 business days after proof approval

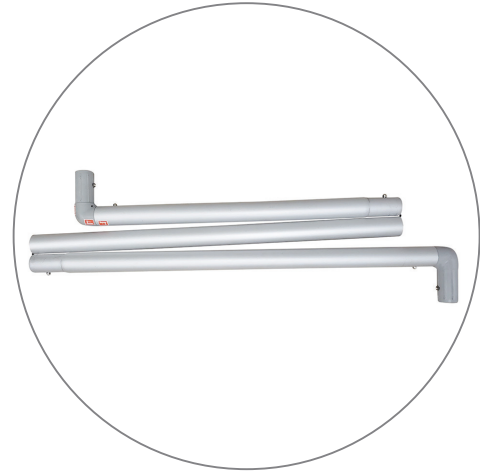


# JOLLY TUBE 8FT STRAIGHT DISPLAY

## PARTS LIST



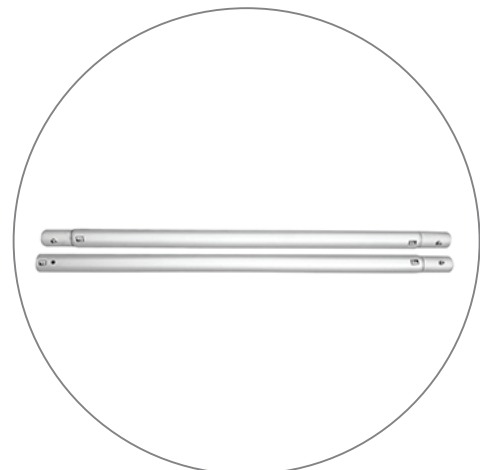
(qty 2) Vertical tube set



Top horizontal tube set



(qty 2) Bottom Corner Connector



Bottom horizontal tube set



(qty 2) Feet



(qty 1) Silverbag

## AVAILABLE ACCESSORIES



EZT-LEDSLV



EZT-LEDBLK

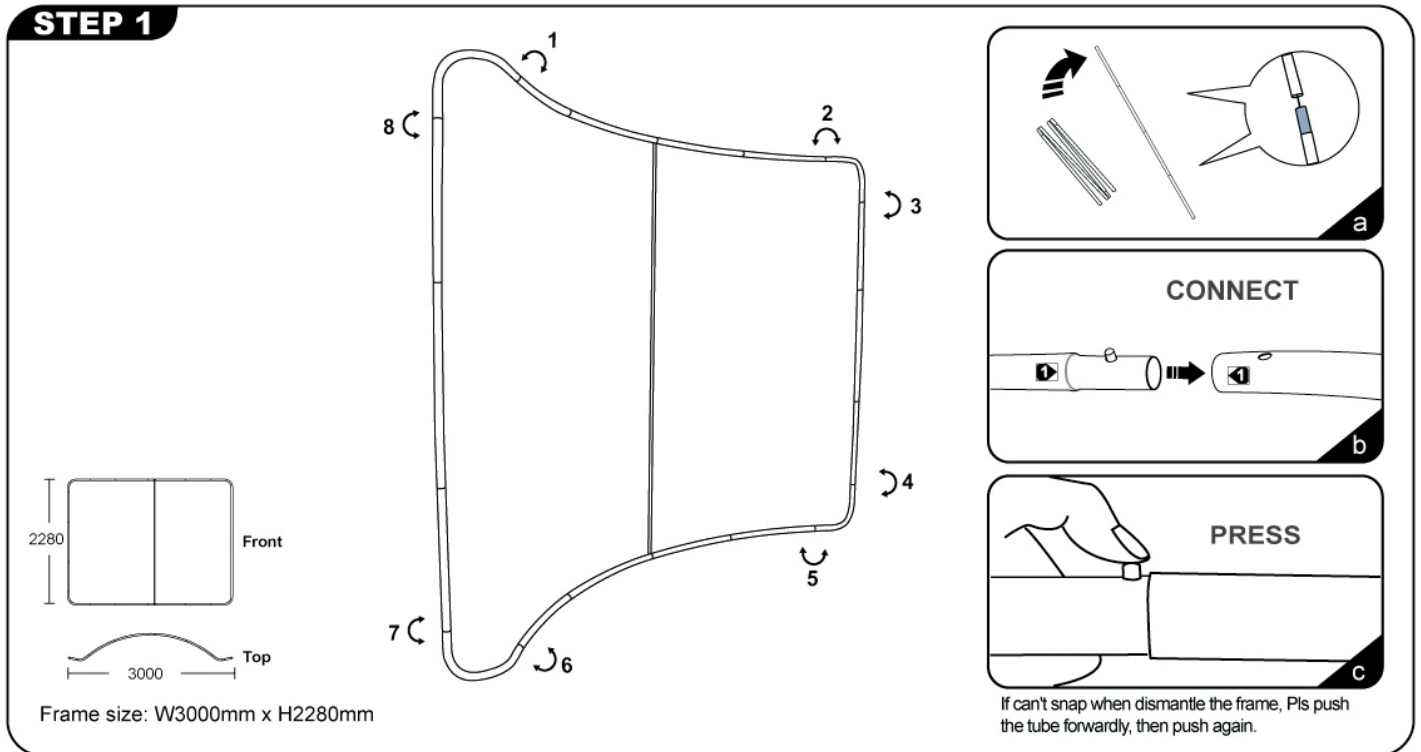


MHC

# JOLLY TUBE 8FT STRAIGHT DISPLAY

## SET UP INSTRUCTIONS

**STEP 1**



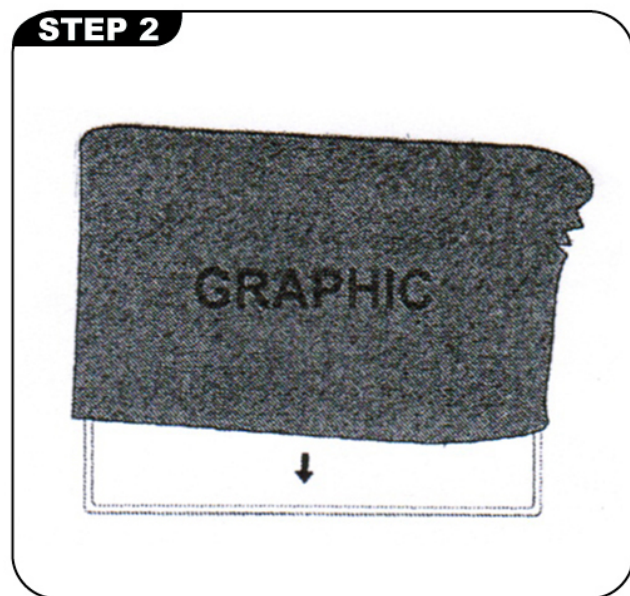
2280  
Front  
3000  
Top  
Frame size: W3000mm x H2280mm

CONNECT

PRESS

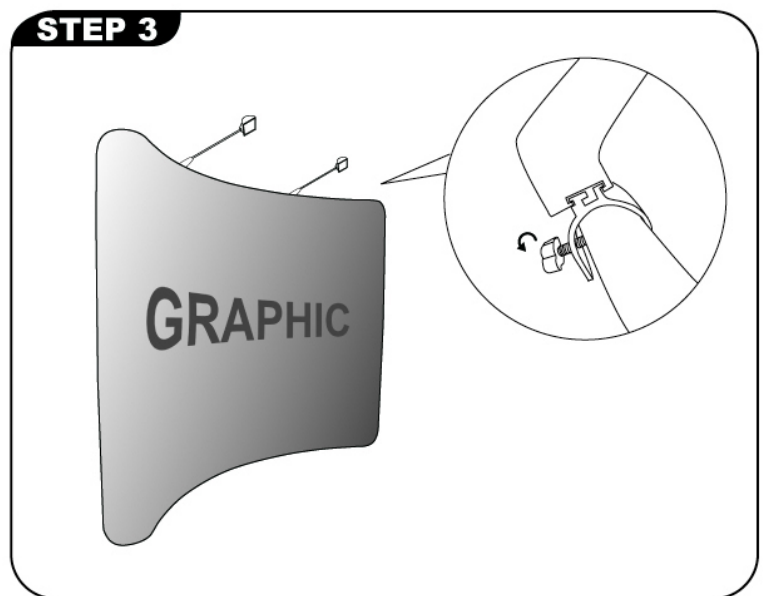
If can't snap when dismantle the frame, Pls push the tube forwardly, then push again.

**STEP 2**



GRAPHIC

**STEP 3**



GRAPHIC