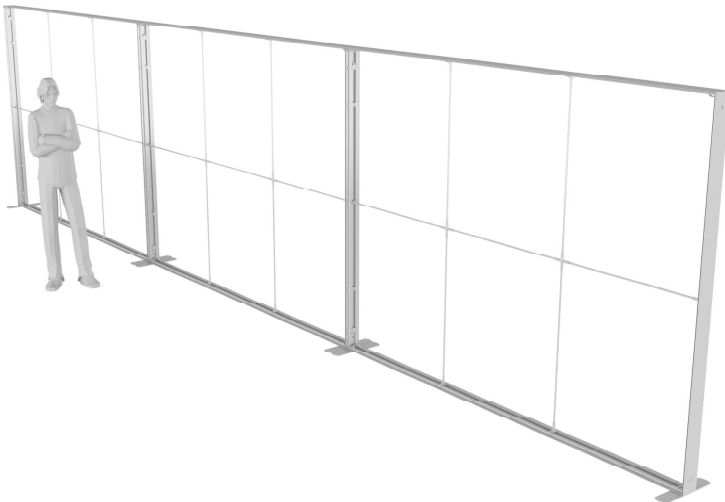
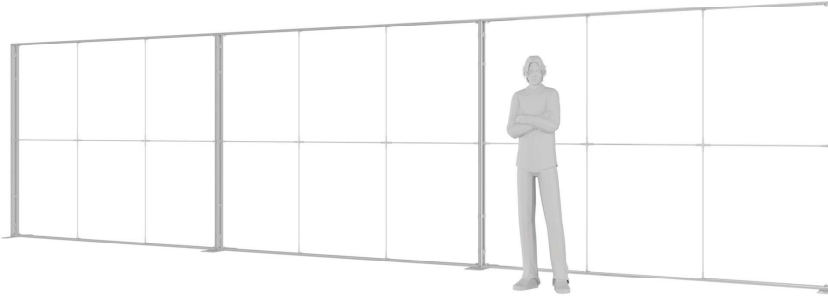


# SEGO CONFIGURATION A30

SEGO MODULAR LIGHTBOX DISPLAY  
 PRODUCT CODE: SEGO-A30



## PRODUCT DESCRIPTION

The advanced technology of the new SEGO modular lightbox system combines innovation with intuition. Toolless down to its feet, SEGO is designed to help heighten your display experience. Magnetic electrical connectors light up the UL certified LED lights that come pre-installed in the profiles. Electrical wires stay hidden from view. Edge-to-edge customizable SEG backlit fabric graphics cover the front and back of the aluminum frame. Portable, configurable, desirable, SEGO is a lightbox unlike the others. SEGO is so well thought out, even its durable foam cut carry bag is made distinctly to keep all parts and pieces protected and organized.

DISPLAY DIMENSIONS	354"W x 88.25"H x 16.5"D
GRAPHIC SIZE	118.625"W x 88.625"H (each graphic)

## GRAPHIC MATERIAL

Dye Sub Backlit Fabric

## GRAPHIC FINISHING

Silicone beading sewn onto edge of graphic

## DISPLAY CONSTRUCTION

Aluminum extrusion frame with plastic components

## SHIPPING WEIGHTS & DIMENSIONS

(3) Large Frame 9.8 Segos	Box 1, 36 lbs	54.5"W x 15.5"H x 6.75"D
	Box 2, 32 lbs	45.5"W x 15.5"H x 6.75"D
	Box 3, 36 lbs	54.5"W x 15.5"H x 6.75"D
	Box 4, 32 lbs	45.5"W x 15.5"H x 6.75"D
	Box 5, 36 lbs	54.5"W x 15.5"H x 6.75"D
	Box 6, 32 lbs	45.5"W x 15.5"H x 6.75"D

## GRAPHIC TURN AROUND TIME

4 - 5 business days after proof approval (up to 2 configurations)

AVAILABILITY	CA
--------------	----

## LED LIGHT SPECIFICATION

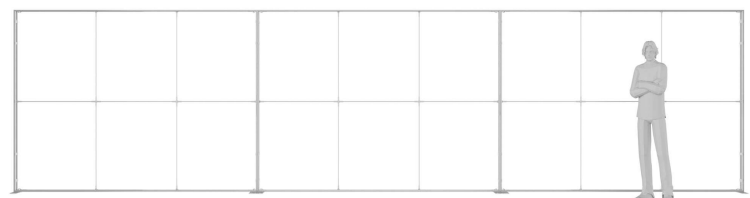
BRAND	Osram
POWER	3W
CCT (COLOR TEMP)	6800k
AVERAGE BEAM ANGEL	20°
LM/W	130
AVG LM/M <sup>2</sup>	4800-5800
VOLTAGE INPUT	24V

## LUMENS (EACH FRAME)

VOLTAGE (V)	24
POWER (W)	270
LM/W	130
TOTAL LM	35100
AVG LM	5850
CU	.8
EAV	4680

## TRANSFORMER SPECIFICATION

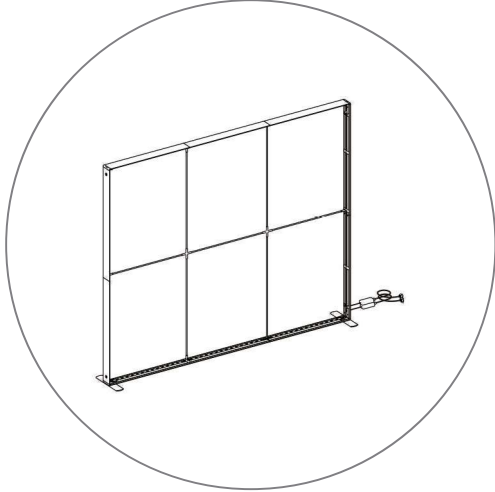
POWER RATE 2 TRANSFORMERS	95W, 252W
CERTIFICATES	UL, CE, GEM
VOLTAGE INPUT	100-240V
VOLTAGE OUTPUT	24V



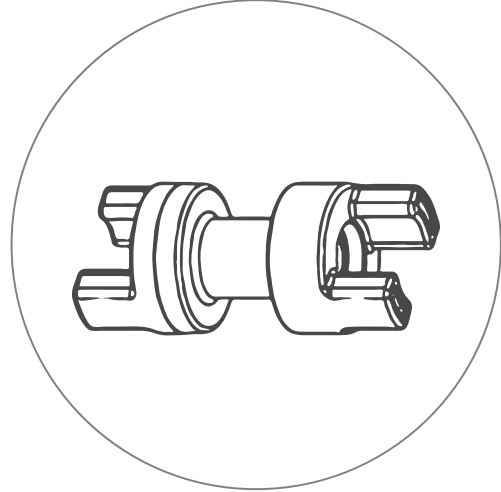
# SEGO CONFIGURATION A30

SEGO MODULAR LIGHTBOX DISPLAY  
PRODUCT CODE: SEGO-A30

## PARTS LIST



(qty 3)  
SEGO-300X225X12  
LARGE 9.8 FRAME



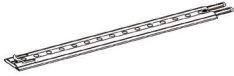
(qty 4)  
SEGO-SCON

# SEGO CONFIGURATION A30

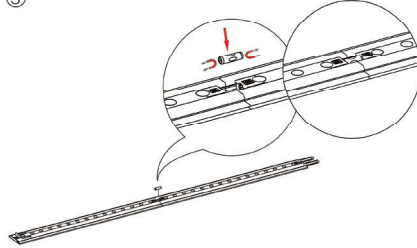
SEGO MODULAR LIGHTBOX DISPLAY  
PRODUCT CODE: SEGO-A30

## SET UP INSTRUCTIONS LARGE FRAME

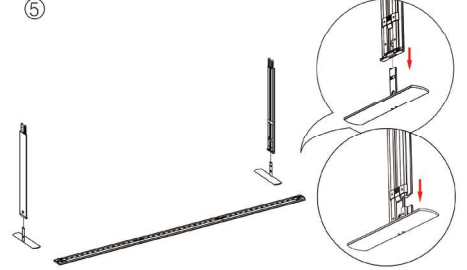
①



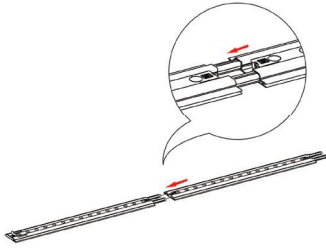
③



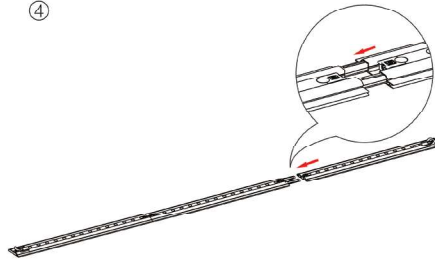
⑤



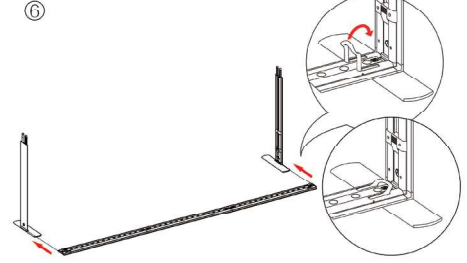
②



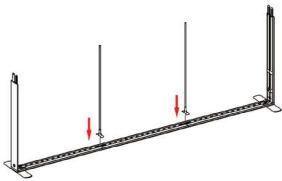
④



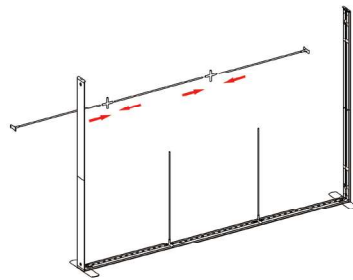
⑥



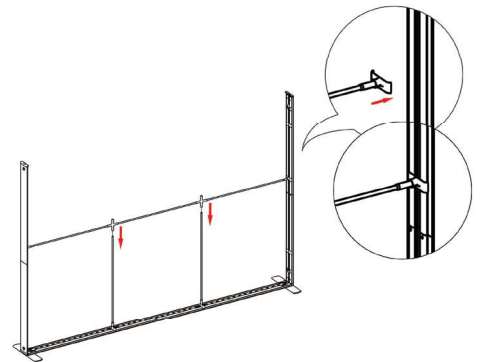
⑦



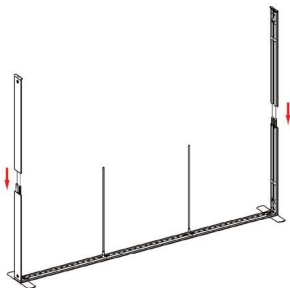
⑨



⑩



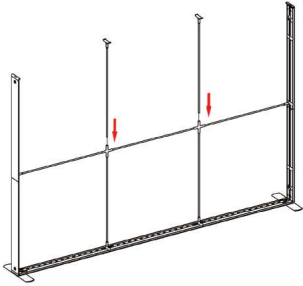
⑧



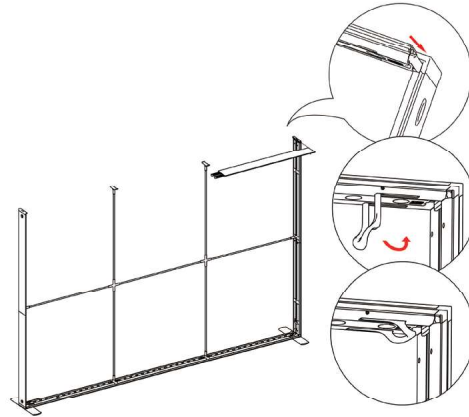
# SEGO CONFIGURATION A30

SEGO MODULAR LIGHTBOX DISPLAY  
PRODUCT CODE: SEGO-A30

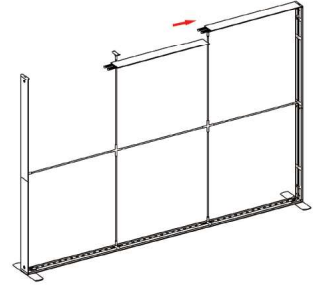
11



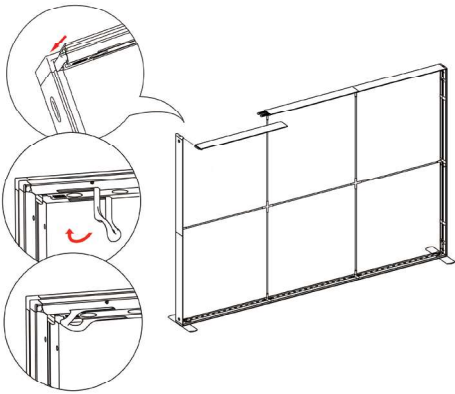
12



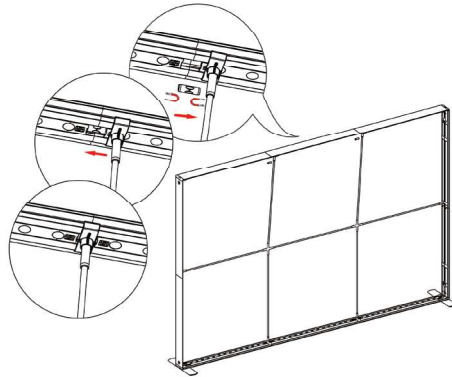
13



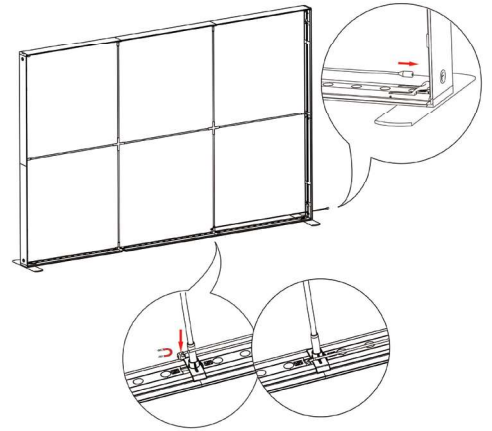
14



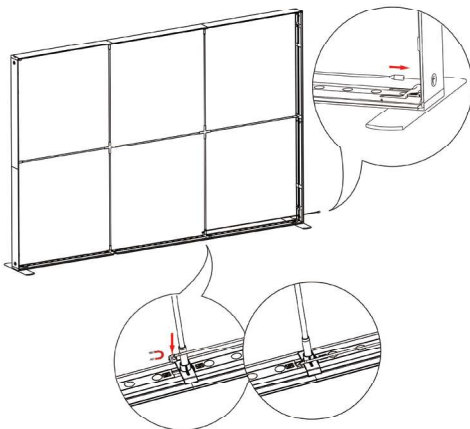
15



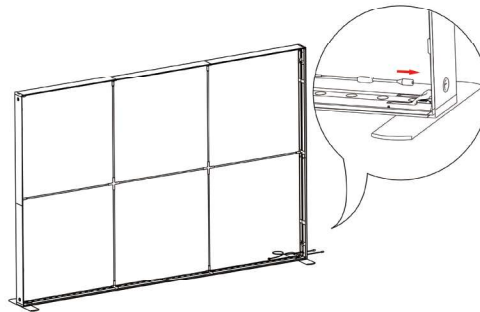
16



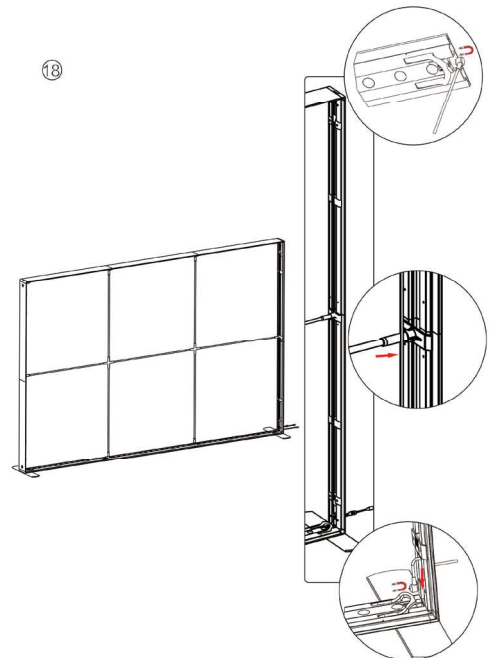
16



17



18

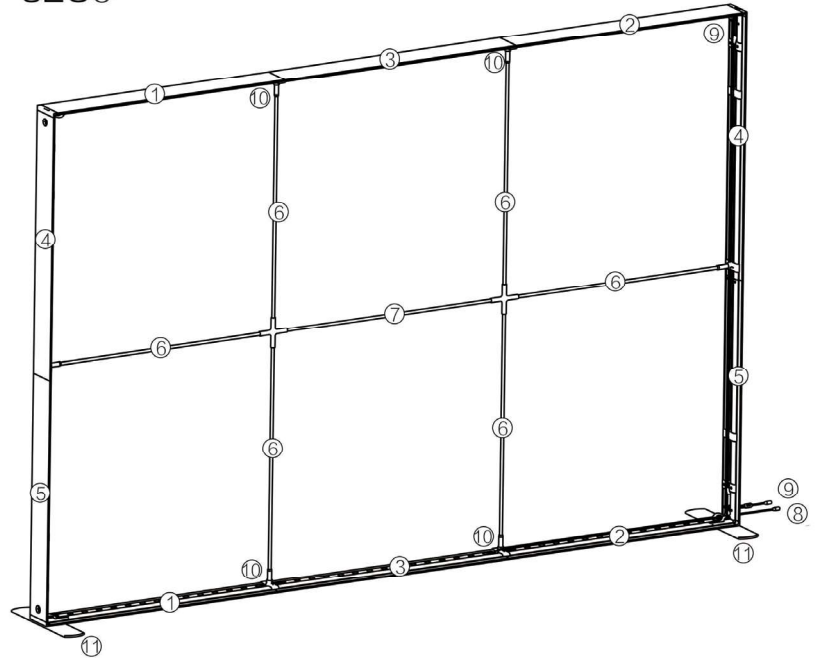
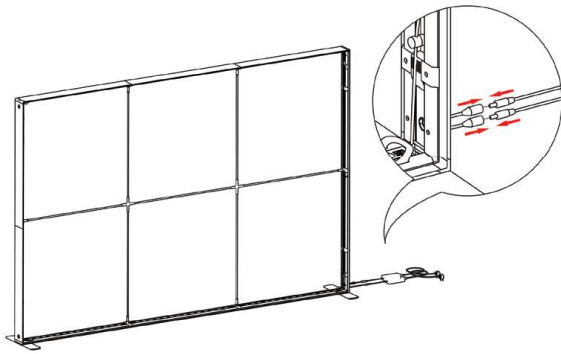


# SEGO CONFIGURATION A30

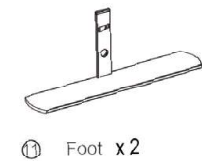
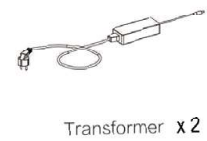
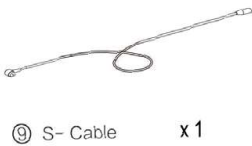
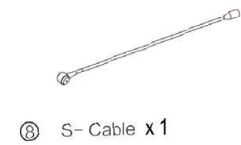
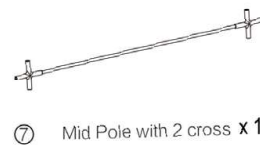
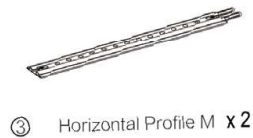
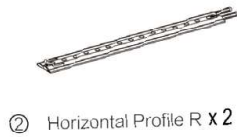
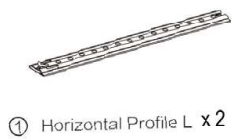
SEGO MODULAR LIGHTBOX DISPLAY  
 PRODUCT CODE: SEGO-A30

19

## SEGO Part List 9.8 frame



## Part List 9.8 frame

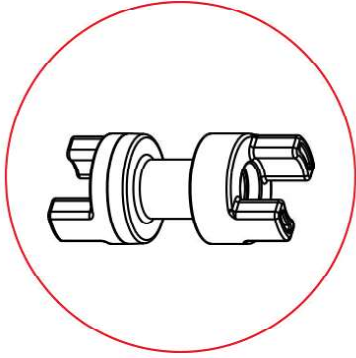


# SEGO CONFIGURATION A30

SEGO MODULAR LIGHTBOX DISPLAY

PRODUCT CODE: SEGO-A30

## STRAIGHT CONNECTORS Instructions



NOTE: Install SEGO-SCON  
in top holes only.  
Transformer wiring will pass  
through the bottom holes.

