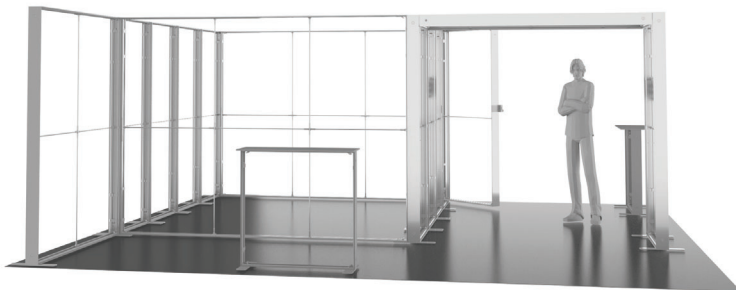


# SEGO CONFIGURATION Q3

SEGO MODULAR LIGHTBOXES

PRODUCT CODE: SEGO-Q3



## PRODUCT DESCRIPTION

The advanced technology of the new SEGO modular lightbox system combines innovation with intuition. Toolless down to its feet, SEGO is designed to help heighten your display experience. Magnetic electrical connectors light up the UL certified LED lights that come pre-installed in the profiles. Electrical wires stay hidden from view. Edge-to-edge customizable SEG backlit fabric graphics cover the front and back of the aluminum frame. Portable, configurable, desirable, SEGO is a lightbox unlike the others. SEGO is so well thought out, even its durable foam cut carry bag is made distinctly to keep all parts and pieces protected and organized.

DISPLAY DIMENSIONS	234.375"W x 88.5"H x 222.5"D
GRAPHIC SIZES	118.625"w x 88.625"h (for 9.8 sego)
	78.125"w x 88.625"h (for 6.5 sego)
	39.75"w x 88.625"h (for 3.3 sego)
	480" W x 45" H (for Hanging Banner)

## GRAPHIC MATERIAL

Dye Sub Backlit Fabric

## GRAPHIC FINISHING

Silicone beading sewn onto edge of graphic

## DISPLAY CONSTRUCTION

Aluminum extrusion frame with plastic components

## SHIPPING WEIGHTS & DIMENSIONS

(2) Large Frame 9.8 Sego	Box 1, 36 lbs	54.5"W x 15.5"H x 6.75"D
	Box 2, 32 lbs	45.5"W x 15.5"H x 6.75"D
	Box 3, 36 lbs	54.5"W x 15.5"H x 6.75"D
	Box 4, 32 lbs	45.5"W x 15.5"H x 6.75"D
(1) Medium Frame 6.5 Sego	Box 5, 34 lbs	54.5"W x 15.5"H x 6.75"D
	Box 6, 34 lbs	45.5"W x 15.5"H x 6.75"D
(10) Small Frame 3.3 Sego	Box 7, 32 lbs	54.5"W x 15.5"H x 6.75"D
	Box 8, 32 lbs	54.5"W x 15.5"H x 6.75"D
	Box 9, 32 lbs	54.5"W x 15.5"H x 6.75"D
	Box 10, 32 lbs	54.5"W x 15.5"H x 6.75"D
	Box 11, 32 lbs	54.5"W x 15.5"H x 6.75"D
	Box 12, 32 lbs	54.5"W x 15.5"H x 6.75"D
	Box 13, 32 lbs	54.5"W x 15.5"H x 6.75"D
	Box 14, 32 lbs	54.5"W x 15.5"H x 6.75"D
	Box 15, 32 lbs	54.5"W x 15.5"H x 6.75"D
	Box 16, 32 lbs	54.5"W x 15.5"H x 6.75"D
(2) Sego Counter 3.3 x3.3	Box 17, 30.5lbs	45.5"W x 15.5"H x 6.75"D
	Box 18, 30.5lbs	45.5"W x 15.5"H x 6.75"D
(1) Hanging Banner One Choice	Box 19, 41 lbs	61"W x 15"H x 9"D
(2) Monitor Mount Sego	Box 20, 9 lbs	45.5"W x 15.5"H x 6.75"D
	Box 21, 9 lbs	45.5"W x 15.5"H x 6.75"D

## GRAPHIC TURN AROUND TIME

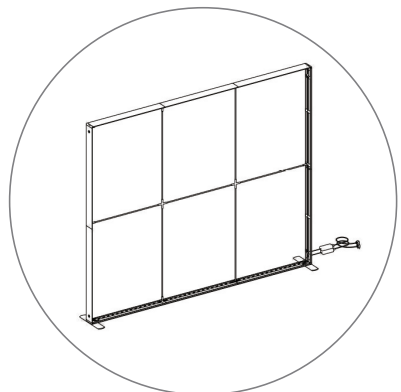
6 business days after proof approval

AVAILABILITY		CA	
LED LIGHT SPECIFICATION		LUMENS (BACKWALL)	
BRAND	Osram	VOLTAGE (V)	24
POWER	3W	POWER (W)	180
CCT (COLOR TEMP)	6800k	LM/W	130
AVERAGE BEAM ANGEL	20 °	TOTAL LM	23400
LM/W	130	AVG LM	5850
AVG LM/M <sup>2</sup>	4800-5800	CU	.8
VOLTAGE INPUT	24V	EAV	4680
TRANSFORMER SPECIFICATION		LUMENS (ARCH & SUPPORT)	
POWER RATE 2 TRANSFORMERS	95W, 252W	VOLTAGE (V)	24
CERTIFICATES	UL, CE, GEM	POWER (W)	90
VOLTAGE INPUT	100-240V	LM/W	130
VOLTAGE OUTPUT	24V	TOTAL LM	11700
		AVG LM	5850
		CU	.8
		EAV	4680

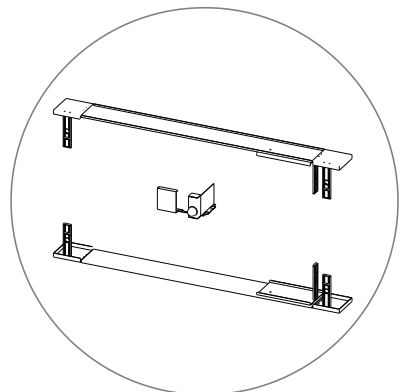
# SEGO CONFIGURATION Q3

SEGO MODULAR LIGHTBOXES  
PRODUCT CODE: SEGO-Q3

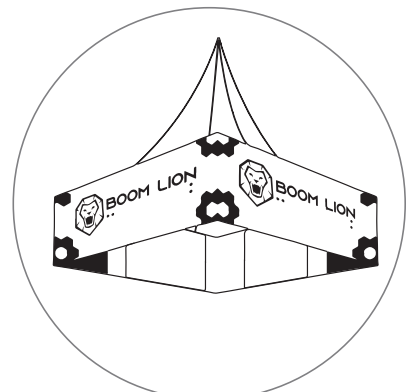
## PARTS LIST



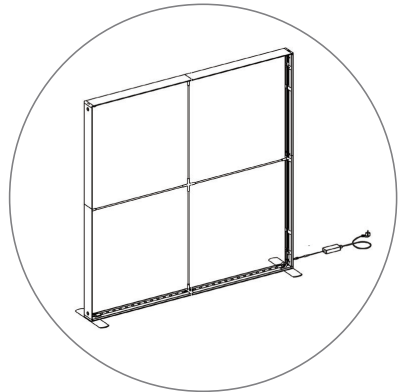
(qty 2)  
SEGO-300X225X12  
LARGE 9.8 FRAME



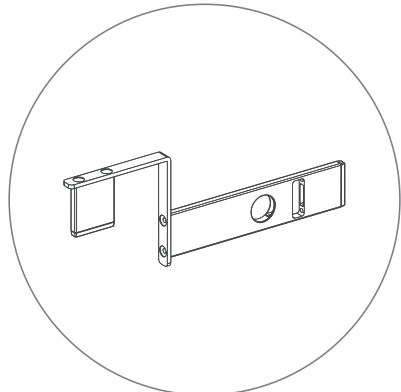
(qty 1)  
SEGO-DOOR-kit



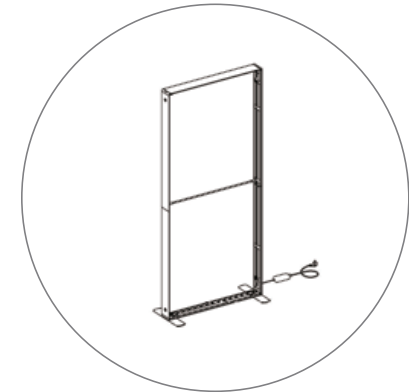
(qty 1)  
One Choice Hanging Banner



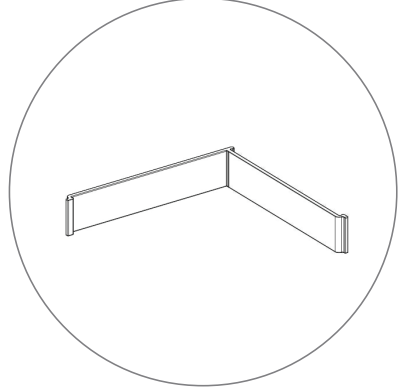
(qty 1)  
SEGO-200X225X12  
MEDIUM 6.5 FRAME



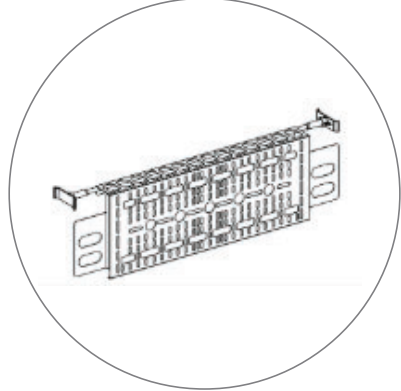
(qty 4)  
SEGO-BC



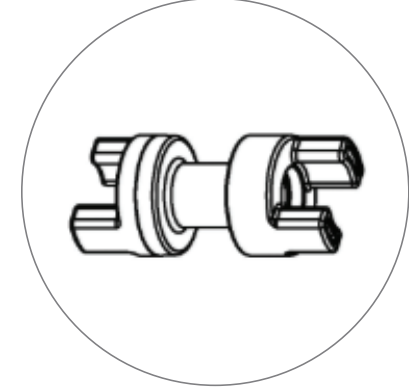
(qty 10)  
SEGO-100X225X12  
SMALL 3.3 FRAME



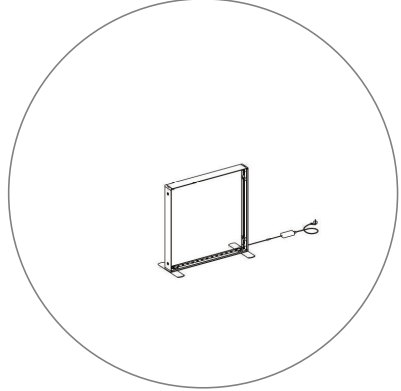
(qty 8)  
SEGO-ILCON



(qty 2)  
SEGO Monitor Mount



(qty 14)  
SEGO-SCON

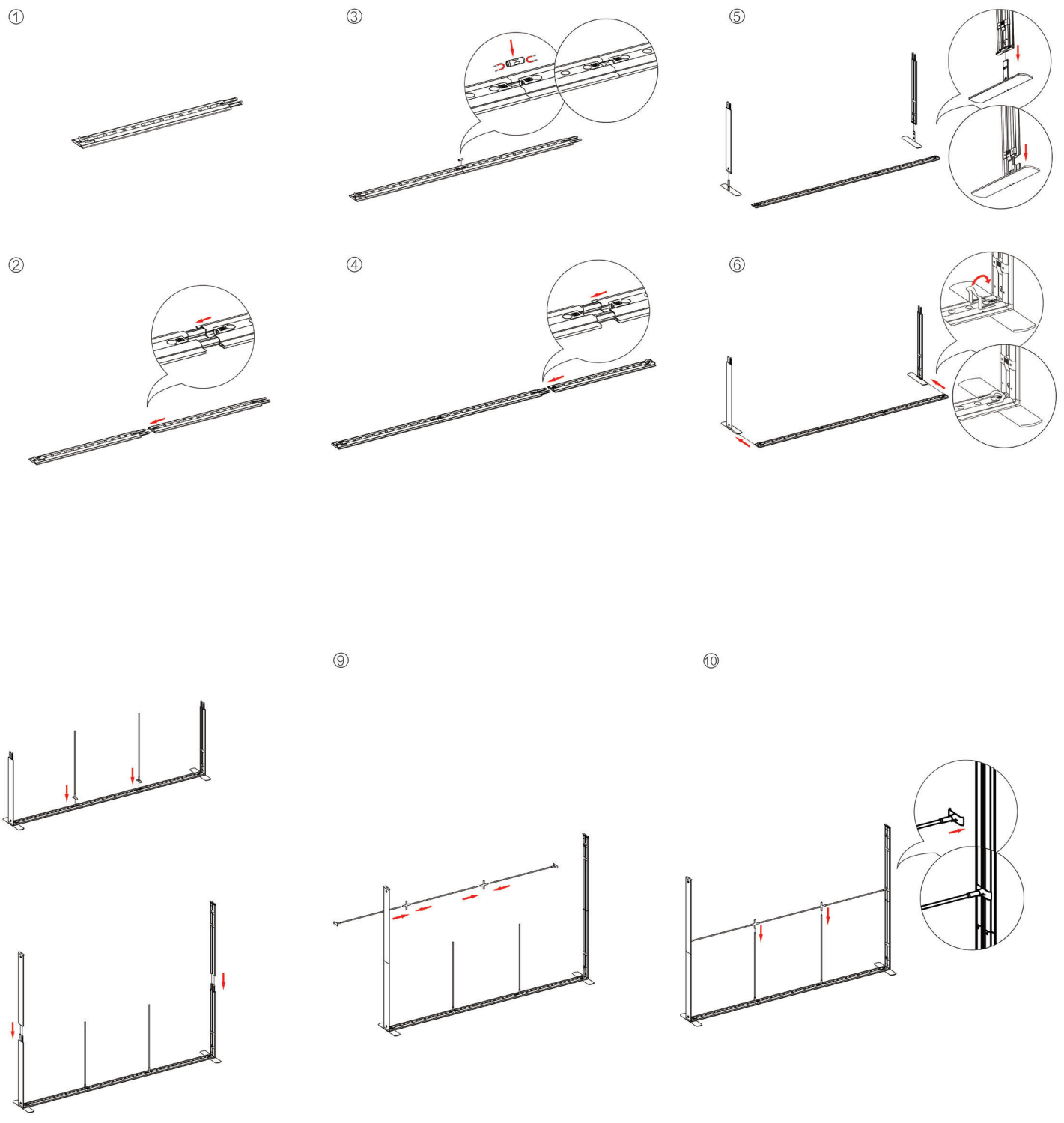


(qty 2)  
SEGO-COUNTER

# SEGO CONFIGURATION Q3

SEGO MODULAR LIGHTBOXES  
PRODUCT CODE: SEGO-Q3

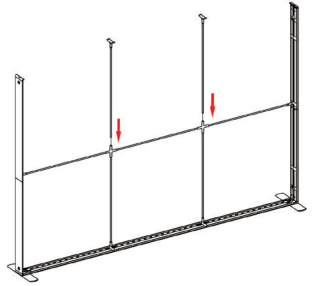
## SET UP INSTRUCTIONS LARGE FRAME



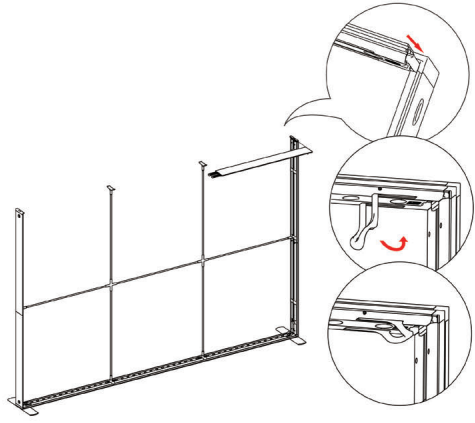
# SEGO CONFIGURATION Q3

SEGO MODULAR LIGHTBOXES  
PRODUCT CODE: SEGO-Q3

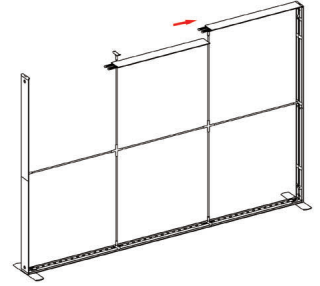
11



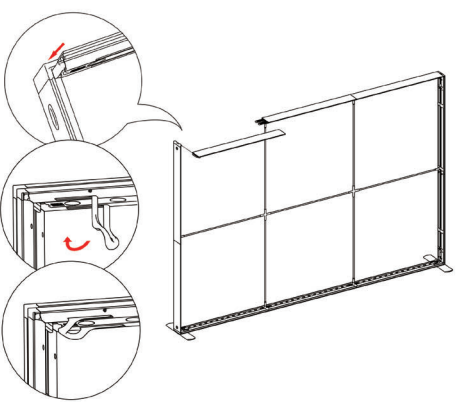
12



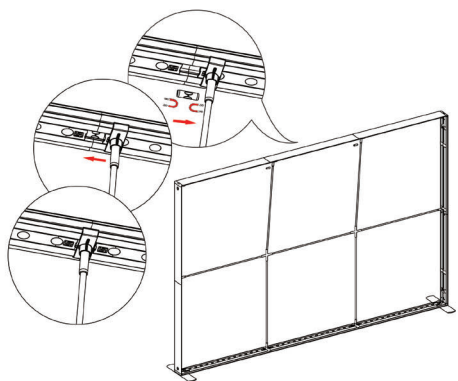
13



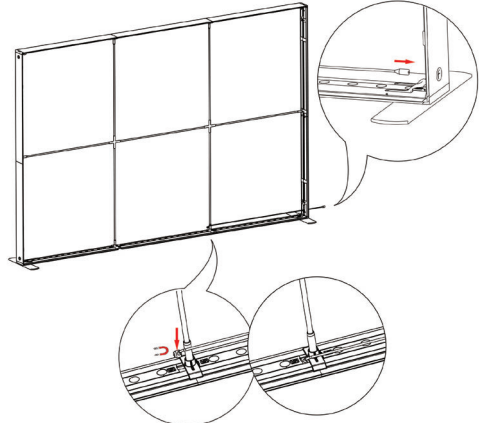
14



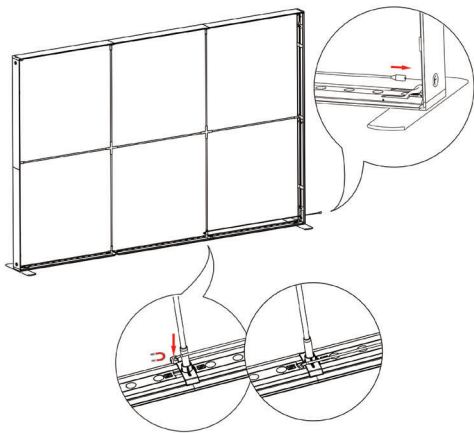
15



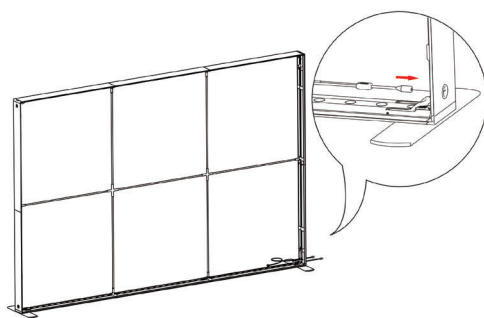
16



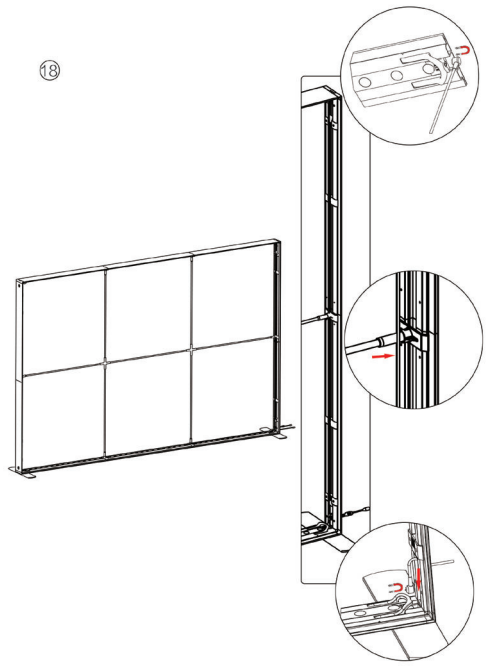
16



17



18

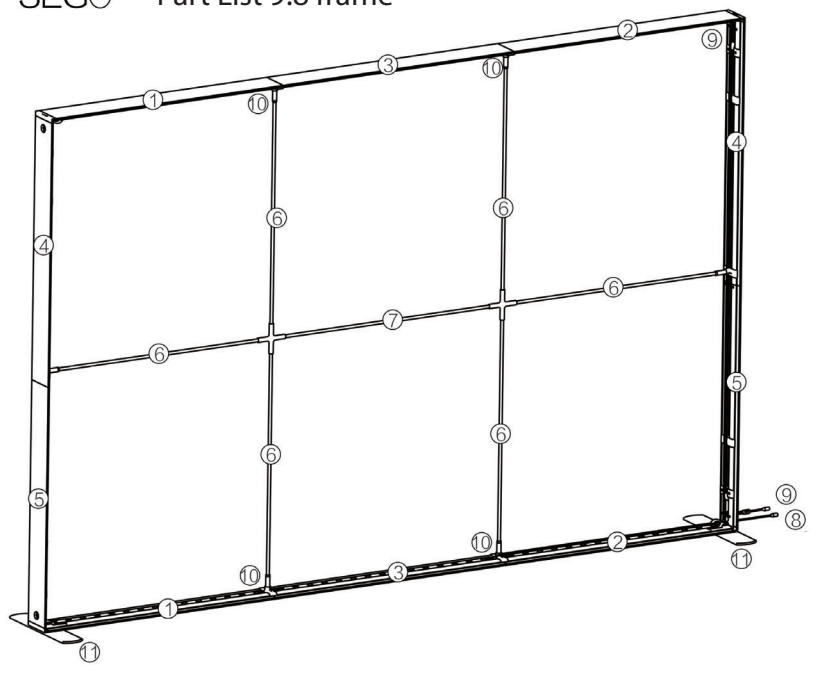
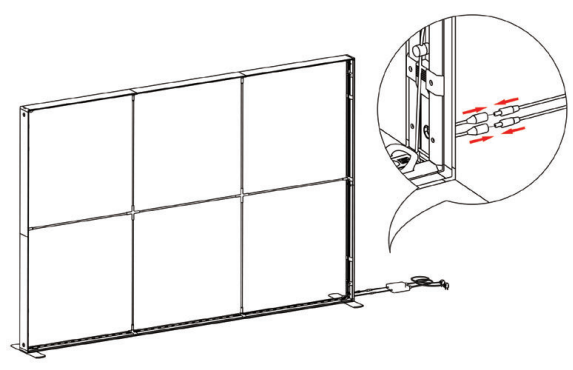


# SEGO CONFIGURATION Q3

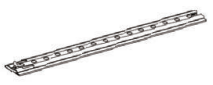










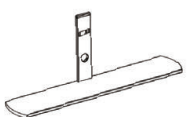
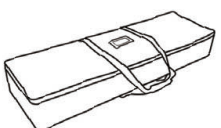
SEGO MODULAR LIGHTBOXES  
 PRODUCT CODE: SEGO-Q3

19

## SEGO Part List 9.8 frame



### Part List 9.8 frame

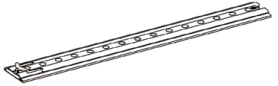
- |   |   |  |   |
|---|---|--|---|
|  |  |  |  |
| ① Horizontal Profile L x 2  | ② Horizontal Profile R x 2  | ③ Horizontal Profile M x 2   | ④ Vertical Profile Top x 2  |
|  |  |  |  |
| ⑤ Vertical Profile Bottom x 2   | ⑥ Mid Pole 1 end x 6  | ⑦ Mid Pole with 2 cross x 1  | ⑧ S- Cable x 1  |
|  |  |  |  |
| ⑨ S- Cable x 1  | Transformer x 2   | ⑩ LED Extension Connector x  | ⑪ Foot x 2  |
|  |   |  |   |
| Bag x 2   |   |  |   |

# SEGO CONFIGURATION Q3

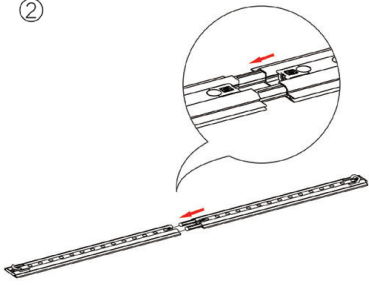
SEGO MODULAR LIGHTBOXES  
PRODUCT CODE: SEGO-Q3

## SET UP INSTRUCTIONS MEDIUM FRAME

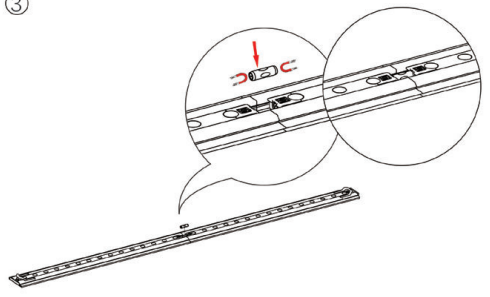
①



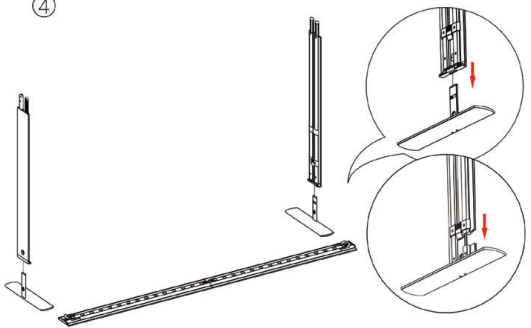
②



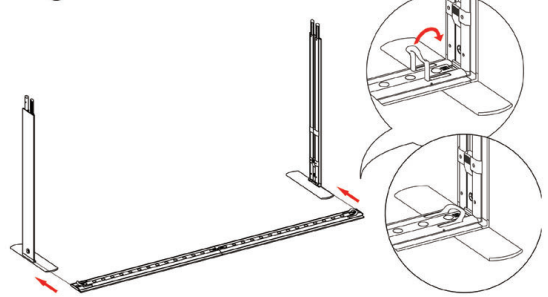
③



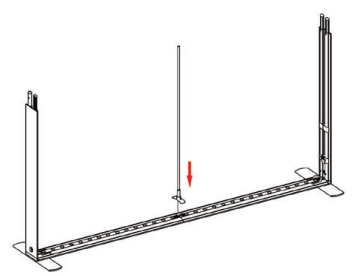
④



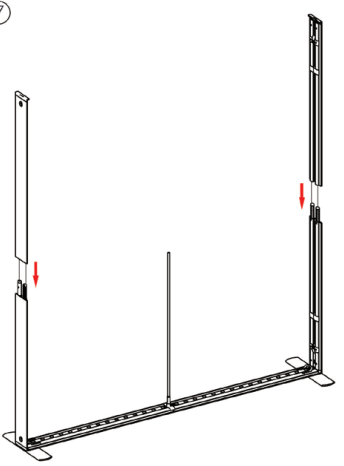
⑤



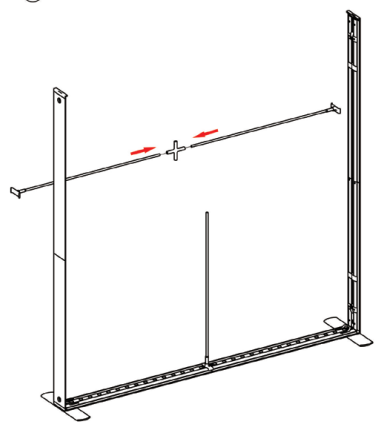
⑥



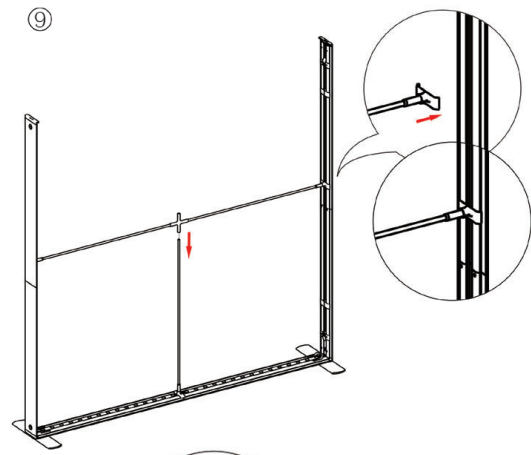
⑦



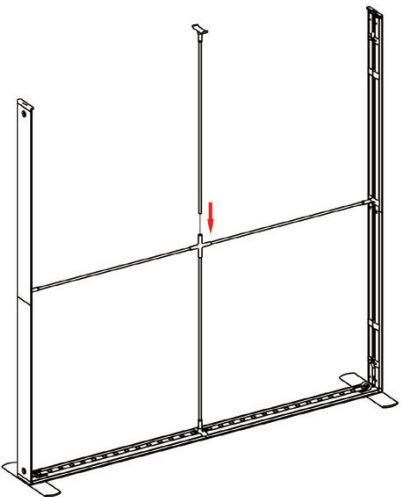
⑧



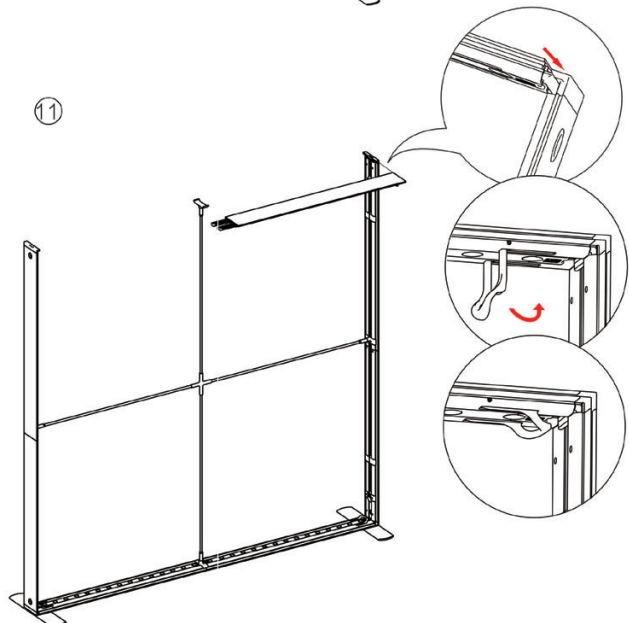
⑨



⑩



⑪

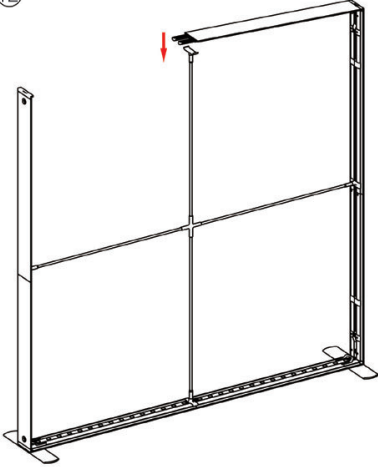


# SEGO CONFIGURATION Q3

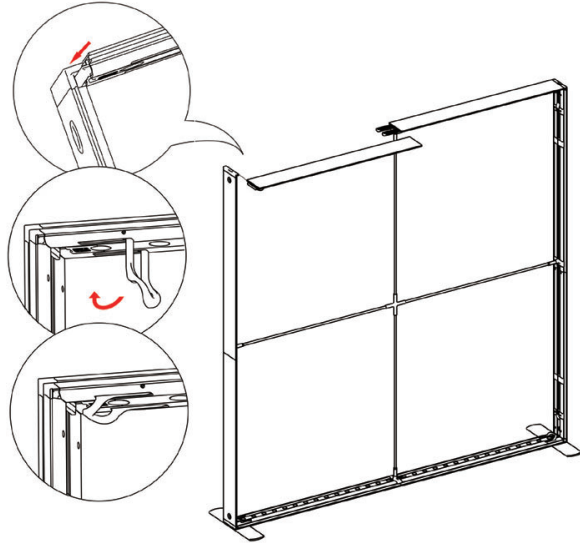
SEGO MODULAR LIGHTBOXES

PRODUCT CODE: SEGO-Q3

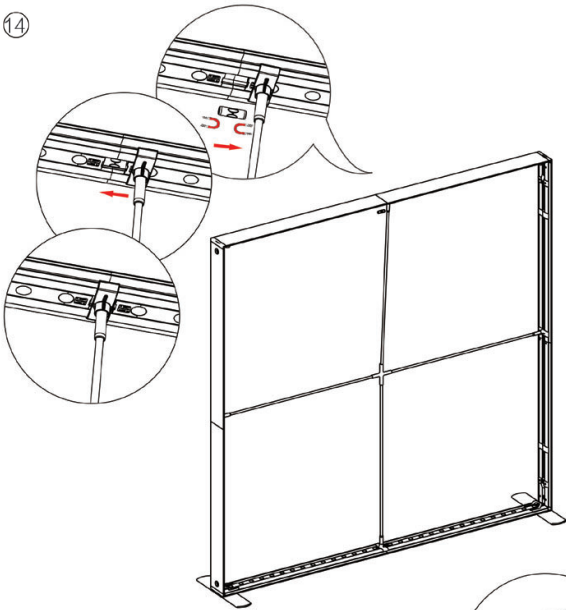
12



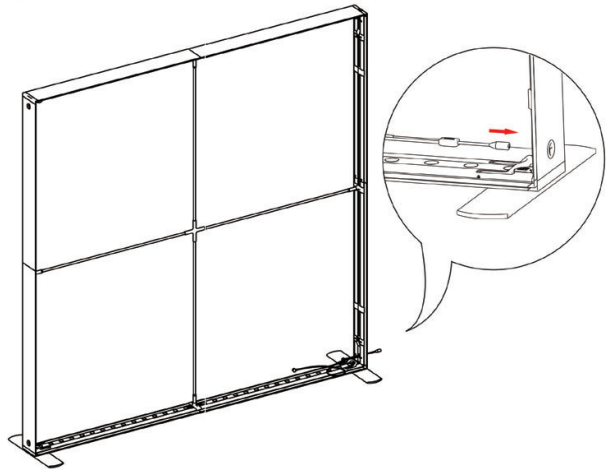
13



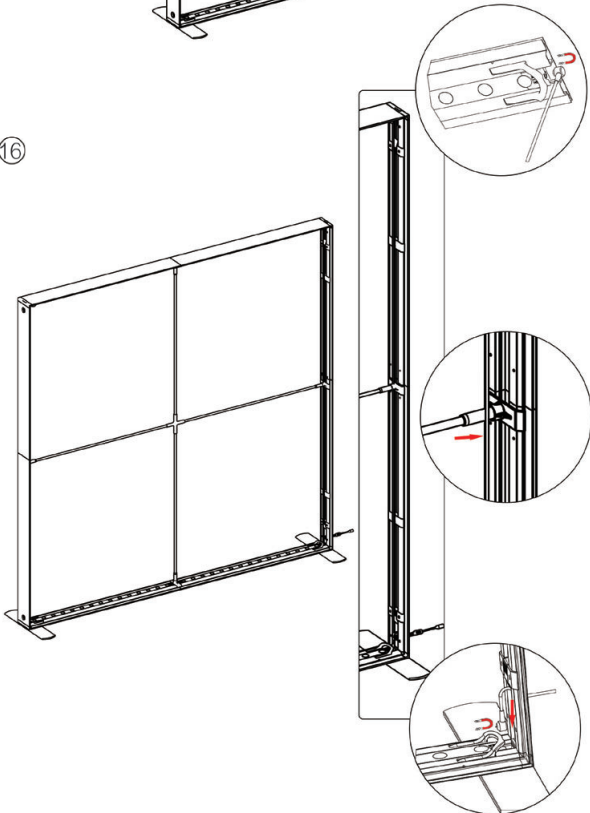
14



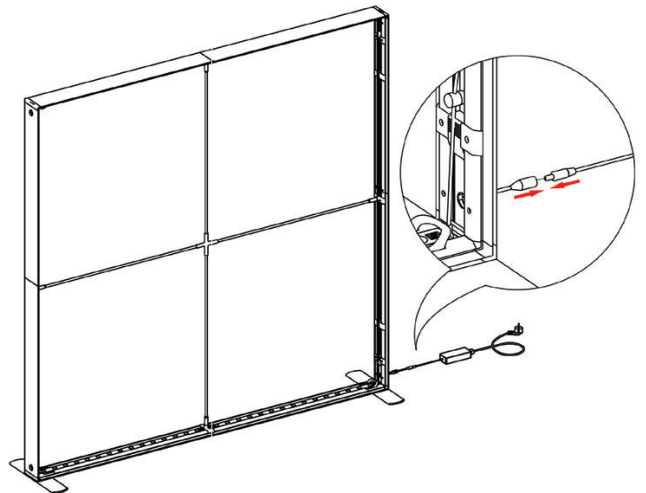
15



16



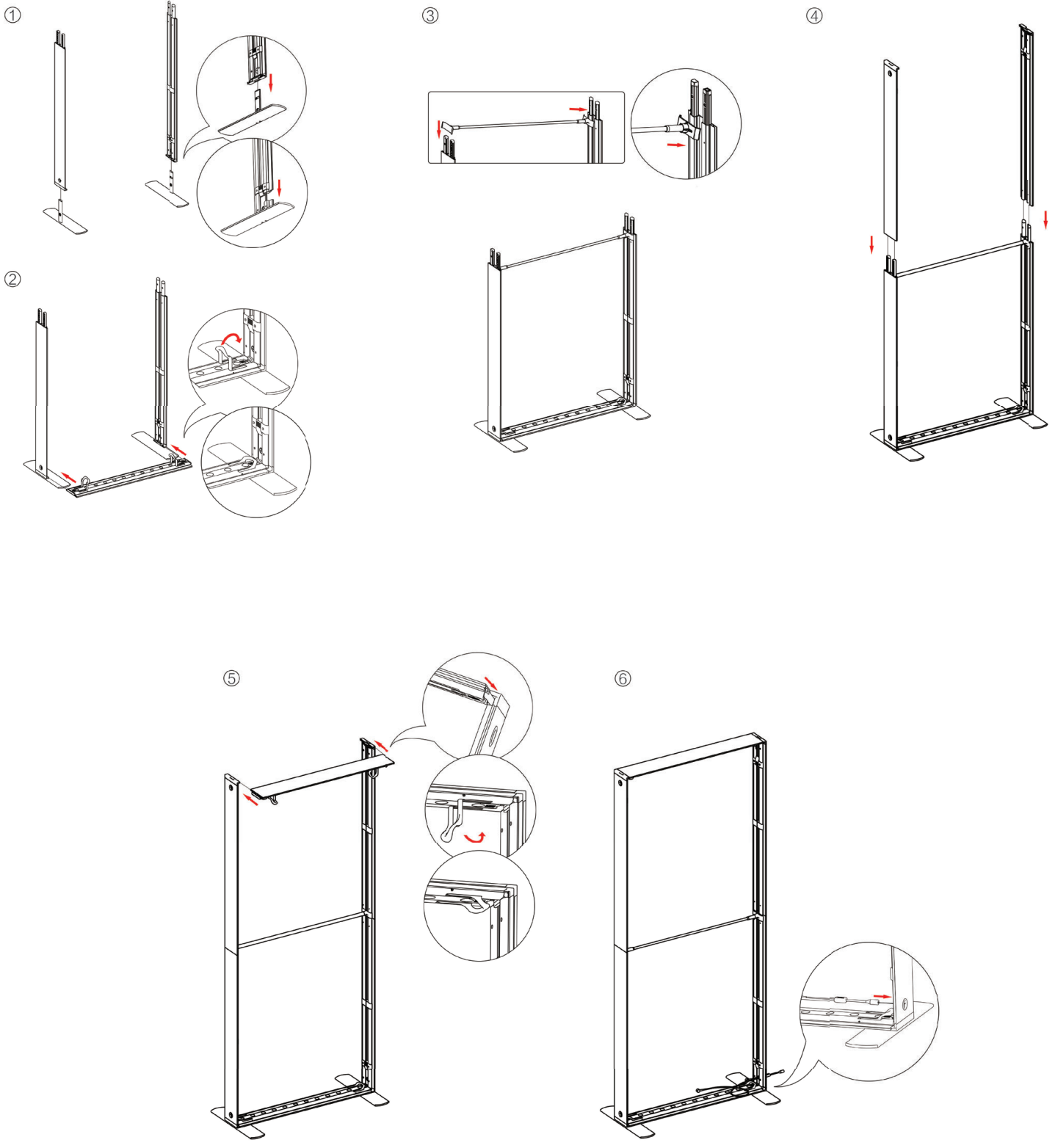
17



# SEGO CONFIGURATION Q3

SEGO MODULAR LIGHTBOXES  
PRODUCT CODE: SEGO-Q3

## SMALL FRAMES ASSEMBLY



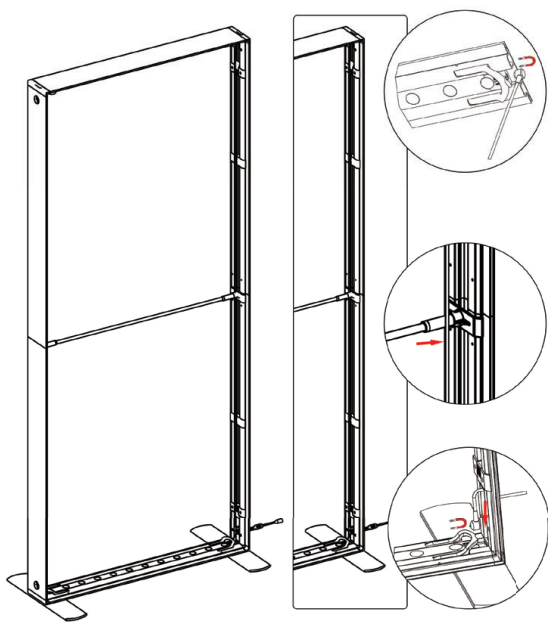


# SEGO CONFIGURATION Q3

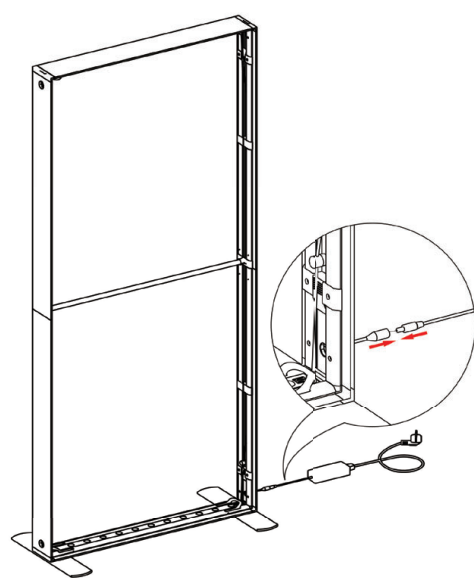
SEGO MODULAR LIGHTBOXES

PRODUCT CODE: SEGO-Q3

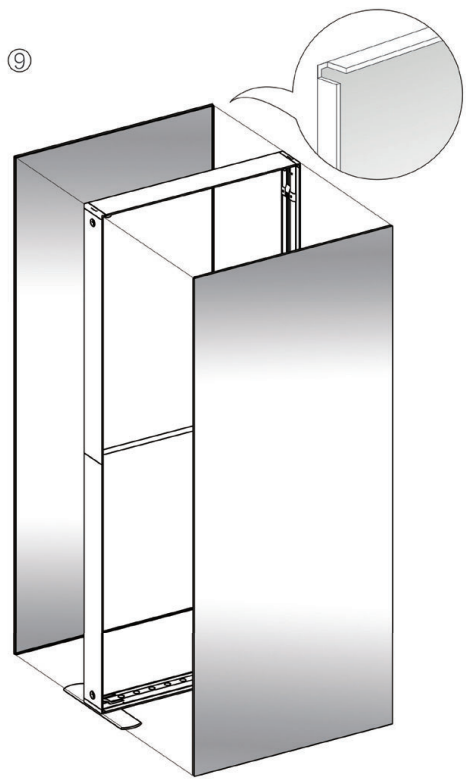
⑦



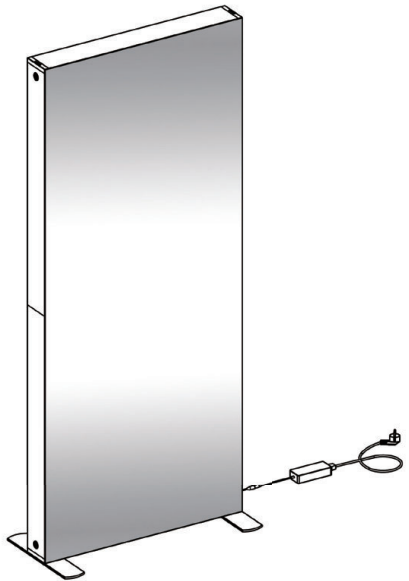
⑧



⑨



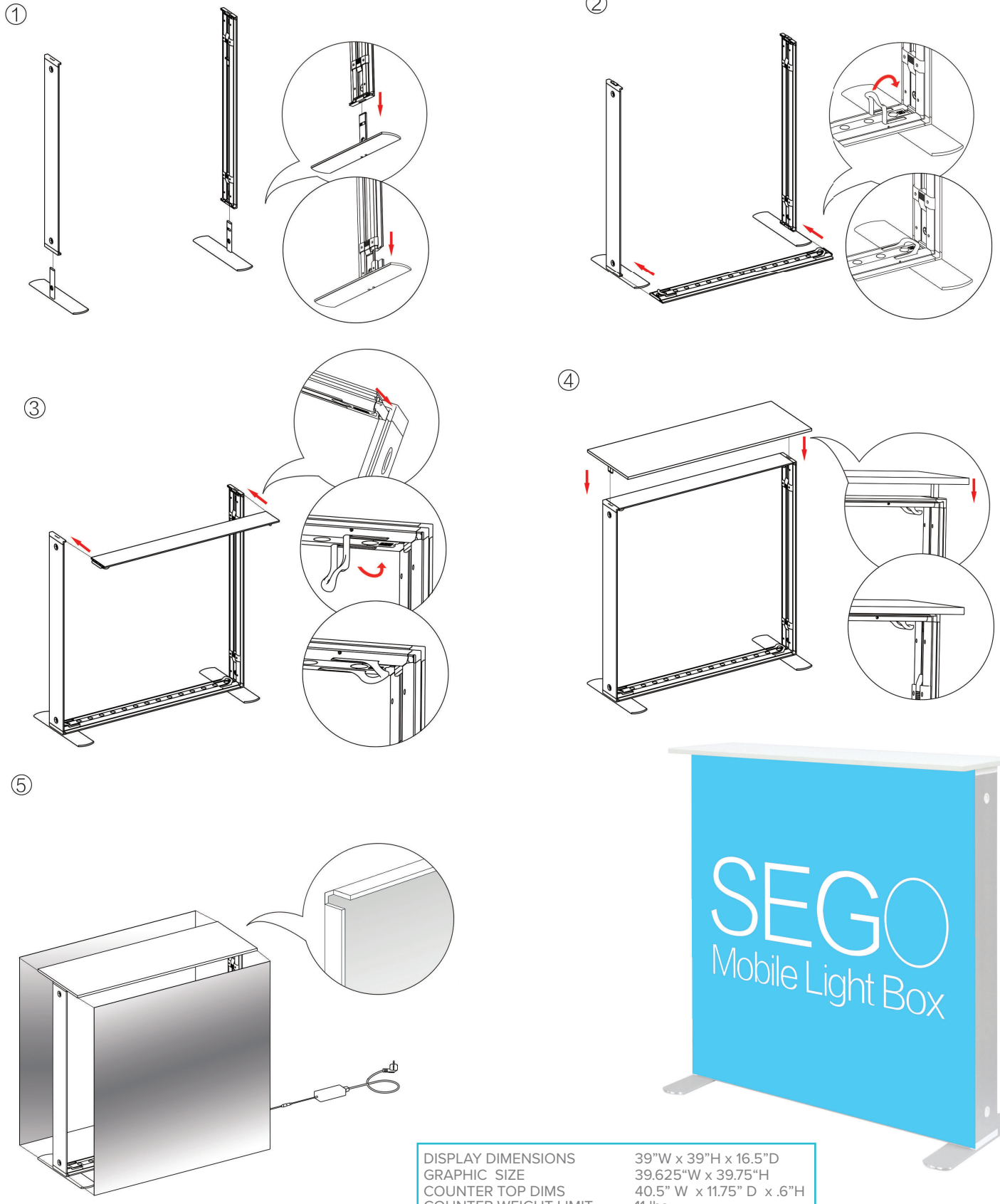
⑩



# SEGO CONFIGURATION Q3

SEGO MODULAR LIGHTBOXES  
PRODUCT CODE: SEGO-Q3

## SET UP COUNTER INSTRUCTIONS

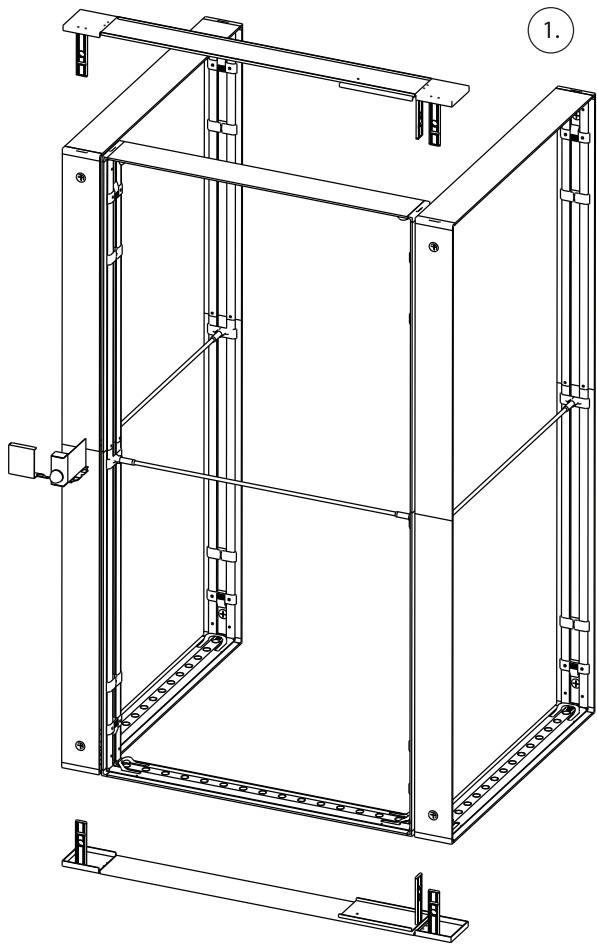


DISPLAY DIMENSIONS	39"W x 39"H x 16.5"D
GRAPHIC SIZE	39.625"W x 39.75"H
COUNTER TOP DIMS	40.5" W x 11.75" D x .6"H
COUNTER WEIGHT LIMIT	11 lbs

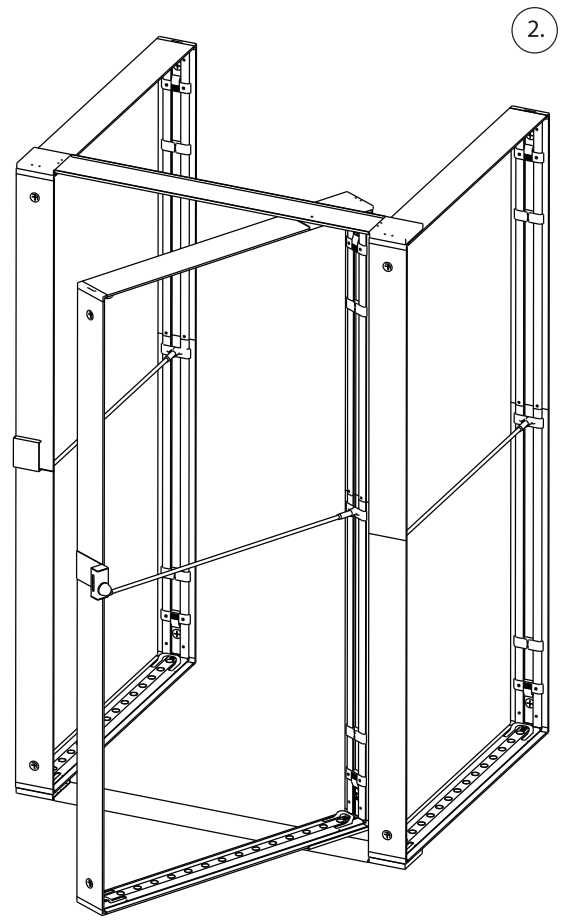
# SEGO CONFIGURATION Q3

SEGO MODULAR LIGHTBOXES  
PRODUCT CODE: SEGO-Q3

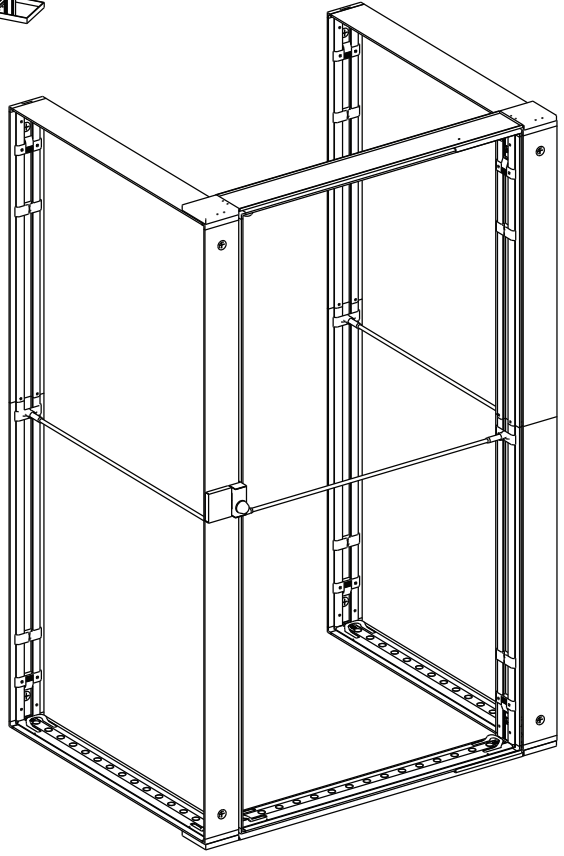
## DOOR CONNECTION



1.



2.

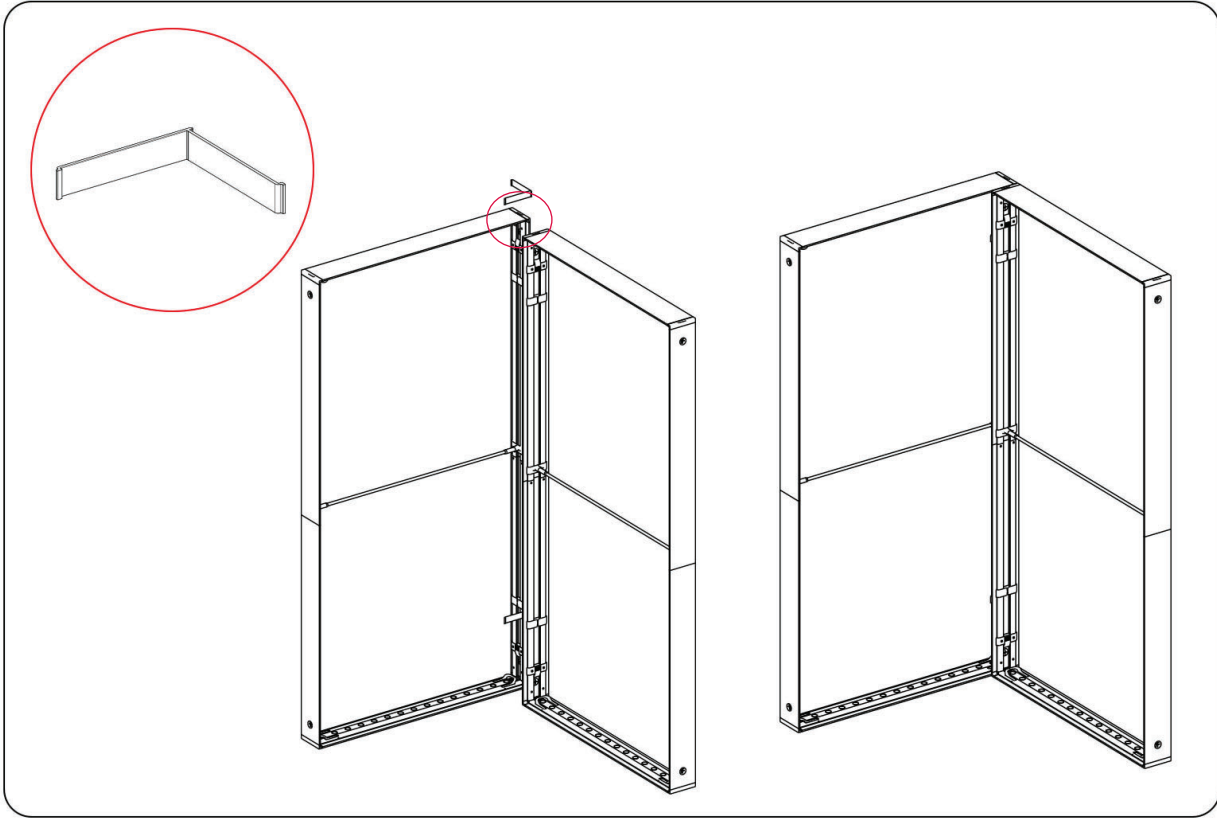


3.

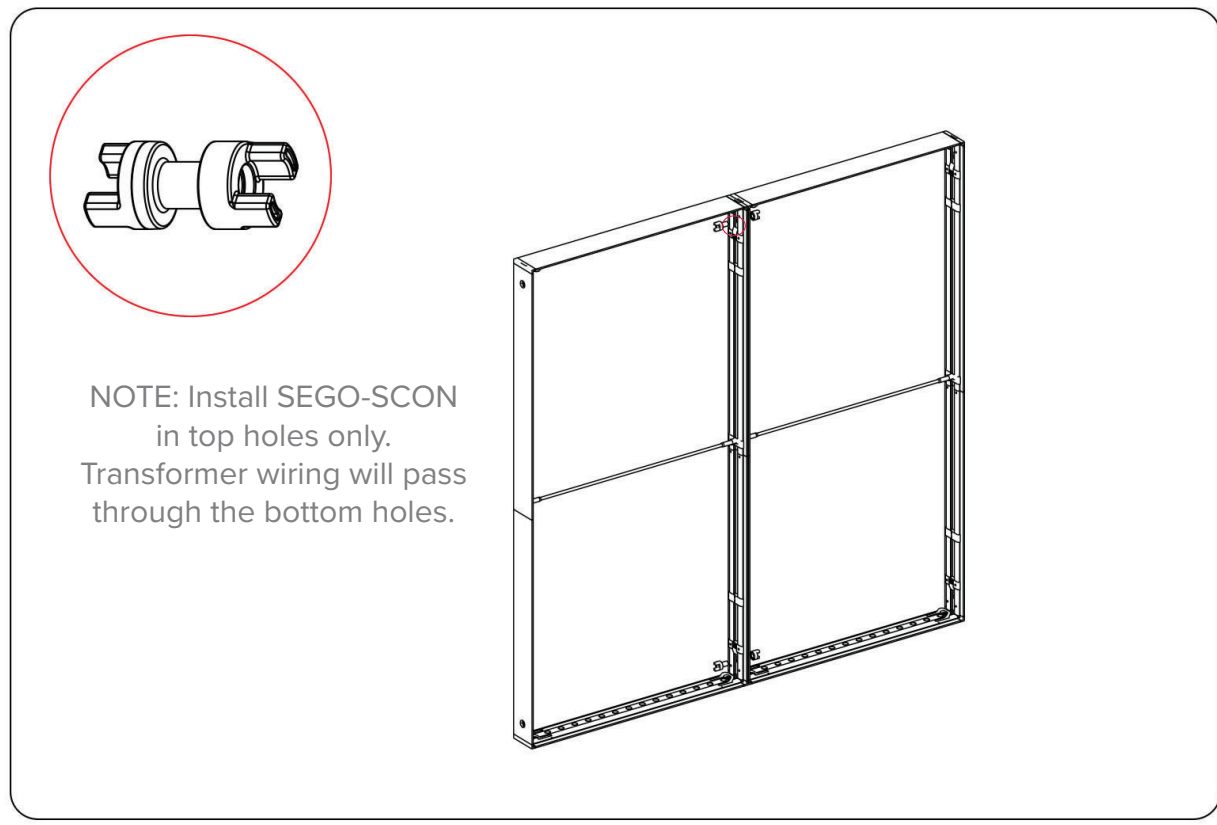
# SEGO CONFIGURATION Q3

SEGO MODULAR LIGHTBOXES  
PRODUCT CODE: SEGO-Q3

## L SHAPE CONNECTION FOR FRAMES



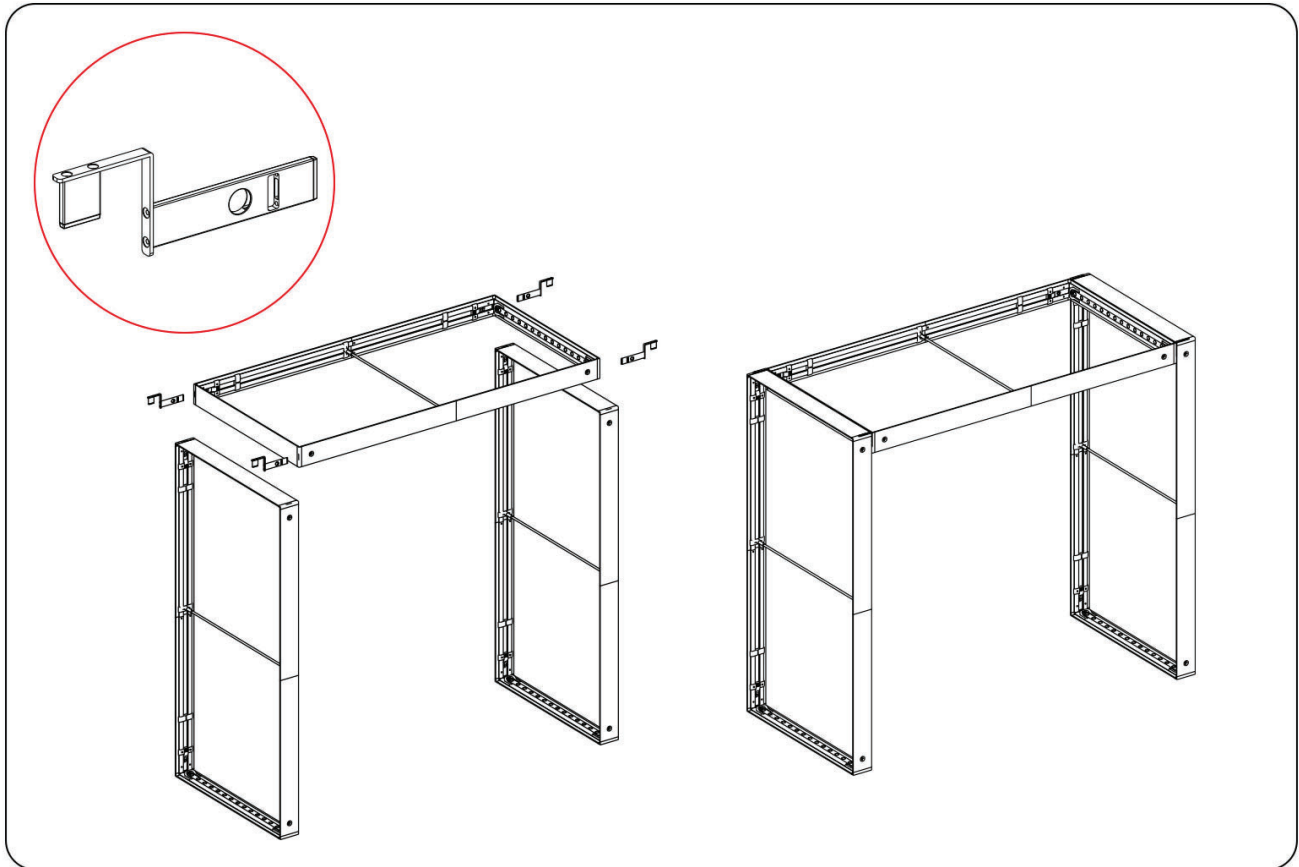
## STRAIGHT CONNECTORS



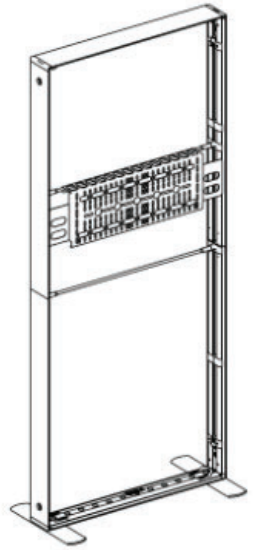
# SEGO CONFIGURATION Q3

SEGO MODULAR LIGHTBOXES  
PRODUCT CODE: SEGO-Q3

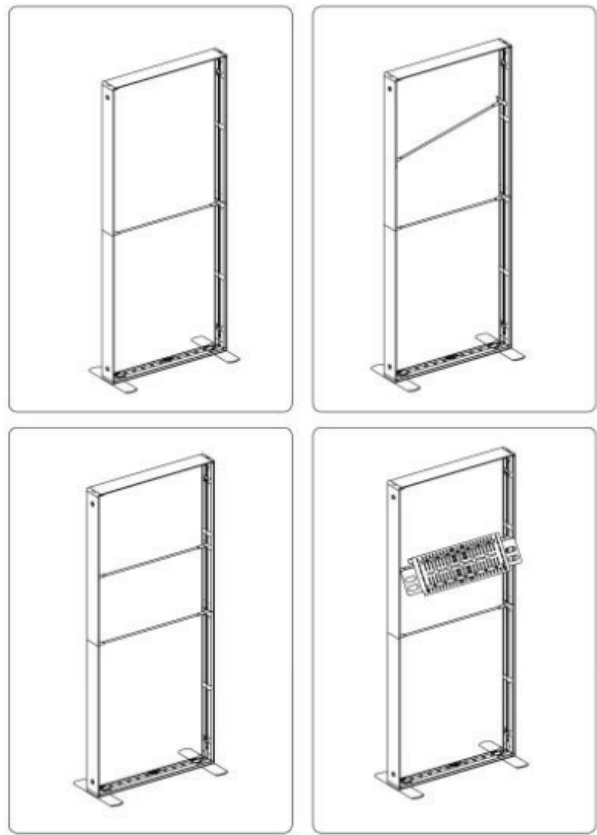
## BRIDGE CONNECTION FOR FRAMES



## MONITOR BRACKET



Monitor Bracket



# HANGING BANNERS

ONE CHOICE - HANGING BANNER  
 10 FT. SQUARE 42 IN. SINGLE-SIDED  
 PRODUCT CODE: OC-HBSQR1042G1



## PRODUCT DESCRIPTION

The One Choice Hanging Banner is a must have at your next trade show. These extra large hanging banners are produced from high quality fabric and enable you to be seen from practically anywhere at your trade show. This particular model is 10ft wide and 42 inch tall Includes soft carry bag.

## FEATURES

### DISPLAY DIMENSIONS

- 10' Diameter x 42" H

### GRAPHIC DIMENSIONS

- 480" W x 45" H

### GRAPHIC MATERIAL\*

- Stretch Fabric

### GRAPHIC FINISHING

- Hem with zipper

### DISPLAY CONSTRUCTION

- 43 mm. dia. aluminum tube

*\*Front is on black & white material and backer is Stretch.*

## WEIGHTS & DIMENSIONS (WITH STAND & GRAPHICS)

### SHIPPING WEIGHTS

- (Qty 1): 41 lbs
- (Qty 12): 492 lbs

### PACKAGE DIMENSIONS

- (Single Box): 68" L x 15" W x 9" H
- (Freight): 48" L x 40" W x 73" H skid

## TURNAROUND TIME

### GRAPHIC PACKAGE

- 4 business days after proof approval\*

### AVAILABILITY

- WEST COAST FULFILLMENT CENTER

\*After proof approval, for **up to 2 sets**. Reply with approval via e-mail by 4:00pm PT the day prior to the assigned ship date.



# HANGING BANNERS

ONE CHOICE - HANGING BANNER  
 10 FT. SQUARE 42 IN. SINGLE-SIDED  
 PRODUCT CODE: OC-HBSQR1042G1

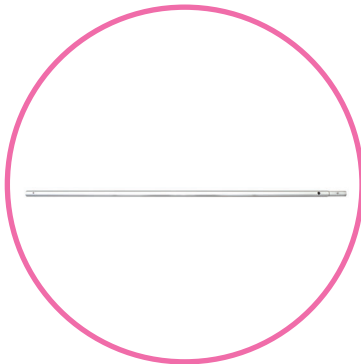


## PARTS LIST



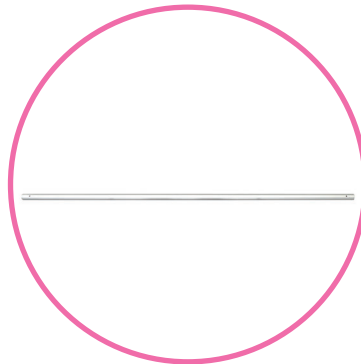
**QTY 1:**  
Carry Bag

**Outside Dimensions:**  
 • 66" L x 14" W x 7 1/2" H  
**Inside Dimensions:**  
 • 65 1/2" L x 14" W x 7 1/2" H



**QTY 8:**  
Horizontal Tubes

• 59 3/4" L  
 (56 3/8" + 3 3/8" Tapered off)



**QTY 8:**  
Horizontal Tubes

• 59 3/4" L



**QTY 6:**  
Vertical Straight Tubes

• 42" H



**QTY 4:**  
Vertical Curve Tubes

• 42" H (30 mm. dia. tube)



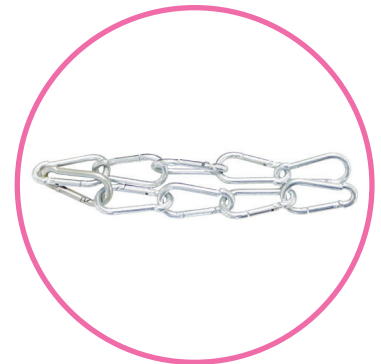
**QTY 8:**  
Corner Connectors

• 5 1/4" L x 5 1/4" W x 5 1/4" H



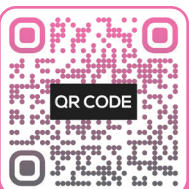
**QTY 1:**  
Cable

• 13.5 m



**QTY 10:**  
Chains

• 2" H (Per each chain)



Scan QR Code To View More Resources.

**NOTE:** To suspend hanging banner, professional rigging services are recommended and may be required at most sites.

# HANGING BANNERS

ONE CHOICE - HANGING BANNER  
10 FT. SQUARE 42 IN. SINGLE-SIDED  
PRODUCT CODE: OC-HBSQR1042G1



## PARTS LIST



**QTY 20:**  
**Large Screws**

- 2 3/8" L (Overall Length)
- 2 1/8" L (Thread Length)
- 5/8" Dia. (Head Screw)
- 5/16" (Screw Diameter)



**QTY 4:**  
**Eyebolt Screws**

- 3 3/8" L (Overall Length)
- 2 3/16" L (Thread Length)
- 1 1/8" W x 1/4" L (Eyebolt)
- 11/16" Dia. (Inside Eyebolt)
- 5/16" (Screw Diameter)



**QTY 10:**  
**Hook Loop Lock**

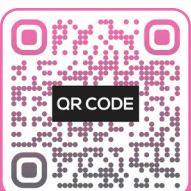
- 3/4" W x 3/4" H (Overall Size)
- 1/4" Dia. (Hex Nut)
- 1/8" (U-Bolt Diameter)



**QTY 1:**  
**6mm Allen Key**

- 3 1/2" L

**NOTE:** Professional rigging services recommended suspending hanging banner.



Scan QR Code To View More Resources.



# HANGING BANNERS

ONE CHOICE - HANGING BANNER  
10 FT. SQUARE 42 IN. SINGLE-SIDED  
PRODUCT CODE: OC-HBSQR1042G1



## CARE SHEET - DYE-SUB FABRIC

### HANDLING TIPS

1. If your exhibit fabric has a zipper, please keep zipper closed for storage.
2. Wrinkles can be removed with cool iron or fabric steamer.
3. Fabric should NOT be stored when damp or wet. Store in cool, dry area.
4. For storing graphics please remove from plastic packaging that was provided and keep fabric in cool/dry place.

### WASHING

1. Your fabric graphic can be machine washed. Remove any hardware attached to the fabric prior to cleaning. Use MILD soap and cool water. Air dry fabric, dry on frame if frame is available.
2. Fabric must be COMPLETELY dry prior to storing.
3. DO NOT DRY CLEAN

### STAIN TREATMENT

1. Treat stain from backside of fabric.
2. Remove as much debris as possible with a soft bristle brush (do NOT rub too hard).
3. Use a clean, lint-free white cloth. Lightly pat the stain from the outside moving in (to keep stain from spreading).
4. If a cleaning solution is used, rinse the area well with water to ensure NO solution is left on fabric.
5. Most stains can be treated with household fabric stain removers. It is ALWAYS important to test how the solution will react to the fabric. This can be tested by dabbing solution to a small corner of the fabric. Most household cleaners will provide treatment instructions depending on the type of stain.



- Wrinkles can be removed from fabric with a cool iron or steamer.



- Fabric can be machine washed - use cold water, delicate cycle.



- Do NOT bleach fabric



- Do NOT tumble dry. Fabric must be air dried on the frame to prevent shrinking.

