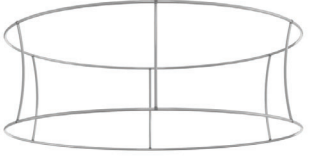


SEGO CONFIGURATION Q5

SEGO MODULAR LIGHTBOXES
PRODUCT CODE: SEGO-Q5



PRODUCT DESCRIPTION

The advanced technology of the new SEGO modular lightbox system combines innovation with intuition. Toolless down to its feet, SEGO is designed to help heighten your display experience. Magnetic electrical connectors light up the UL certified LED lights that come pre-installed in the profiles. Electrical wires stay hidden from view. Edge-to-edge customizable SEG backlit fabric graphics cover the front and back of the aluminum frame. Portable, configurable, desirable, SEGO is a lightbox unlike the others. SEGO is so well thought out, even its durable foam cut carry bag is made distinctly to keep all parts and pieces protected and organized.

DISPLAY DIMENSIONS	20ft x 20ft Trade Show Booth
GRAPHIC SIZES	78.125"w x 88.625"h (for 6.5 sego) 39.75"w x 88.625"h (for 3.3 sego) 186" W x 45" H (for Hanging Banner) 39.75"w x 39.75"h (for 3.3 sego)

GRAPHIC MATERIAL

Dye Sub Backlit Fabric

GRAPHIC FINISHING

Silicone beading sewn onto edge of graphic

DISPLAY CONSTRUCTION

Aluminum extrusion frame with plastic components

SHIPPING WEIGHTS & DIMENSIONS

(1) Medium Frame 6.5 Sego	Box 1, 34 lbs 54.5"W x 15.5"H x 6.75"D Box 2, 34 lbs 45.5"W x 15.5"H x 6.75"D
(6) Small Frame 3.3 Sego	Box 3, 32 lbs 54.5"W x 15.5"H x 6.75"D Box 4, 32 lbs 54.5"W x 15.5"H x 6.75"D Box 5, 32 lbs 54.5"W x 15.5"H x 6.75"D Box 6, 32 lbs 54.5"W x 15.5"H x 6.75"D Box 7, 32 lbs 54.5"W x 15.5"H x 6.75"D Box 8, 32 lbs 54.5"W x 15.5"H x 6.75"D
(2) Sego Counter 3.3 x 3.3	Box 9, 30.5lbs 45.5"W x 15.5"H x 6.75"D Box 10, 30.5lbs 45.5"W x 15.5"H x 6.75"D
(1) Hanging Banner One Choice	Box 11, 32lbs 68" x 15" x 9"
(4) SEGO Monitor Mount	Box 12, 9lbs 42" X 13" X 4" Box 13, 9lbs 42" X 13" X 4" Box 14, 9lbs 42" X 13" X 4" Box 15, 9lbs 42" X 13" X 4"

GRAPHIC TURN AROUND TIME

6 business days after proof approval for the hanging banner
4 business days after proof approval for SEGO

AVAILABILITY		CA	
LED LIGHT SPECIFICATION		LUMENS (BACKWALL)	
BRAND	Osram	VOLTAGE (V)	24
POWER	3W	POWER (W)	180
CCT (COLOR TEMP)	6800k	LM/W	130
AVERAGE BEAM ANGEL	20 °	TOTAL LM	23400
LM/W	130	AVG LM	5850
AVG LM/M ²	4800-5800	CU	.8
VOLTAGE INPUT	24V	EAV	4680
TRANSFORMER SPECIFICATION		LUMENS (ARCH & SUPPORT)	
POWER RATE 2 TRANSFORMERS	95W, 252W	VOLTAGE (V)	24
CERTIFICATES	UL, CE, GEM	POWER (W)	90
VOLTAGE INPUT	100-240V	LM/W	130
VOLTAGE OUTPUT	24V	TOTAL LM	11700
		AVG LM	5850
		CU	.8
		EAV	4680

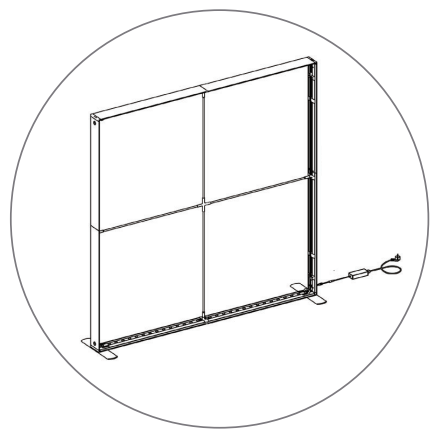
SEGO CONFIGURATION Q5

SEGO MODULAR LIGHTBOXES
PRODUCT CODE: SEGO-Q5

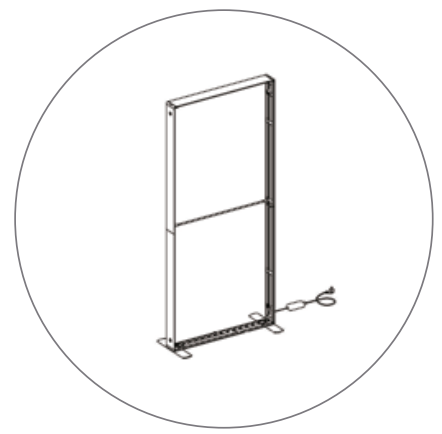
PARTS LIST



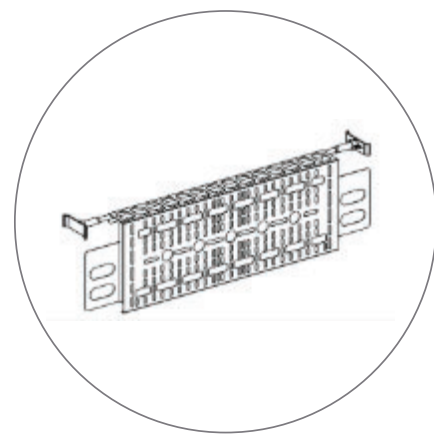
(qty 1)
One Choice Hanging Banner



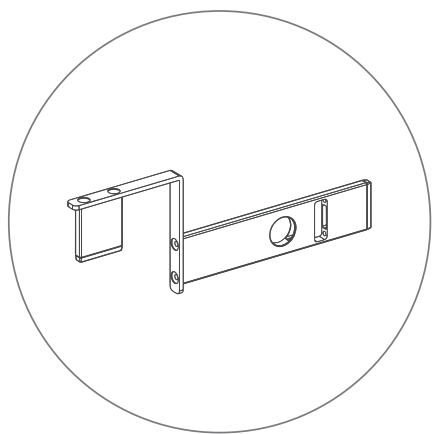
(qty 1)
SEGO-200X225X12
MEDIUM 6.5 FRAME



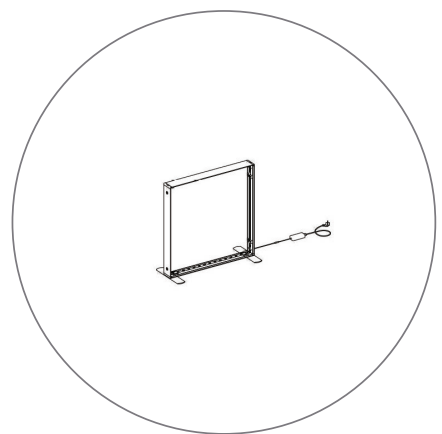
(qty 6)
SEGO-100X225X12
SMALL 3.3 FRAME



(qty 4)
SEGO Monitor Mount



(qty 4)
SEGO-BC



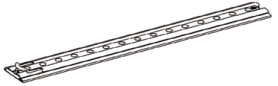
(qty 2)
SEGO-COUNTER

SEGO CONFIGURATION Q5

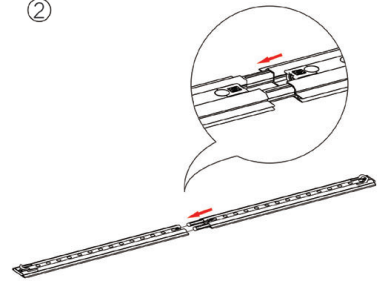
SEGO MODULAR LIGHTBOXES
PRODUCT CODE: SEGO-Q5

SET UP INSTRUCTIONS MEDIUM FRAME

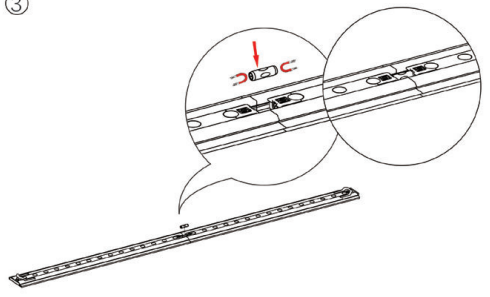
①



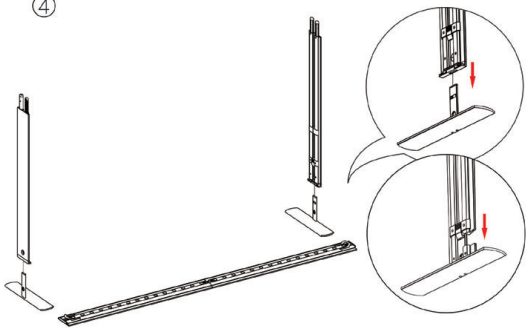
②



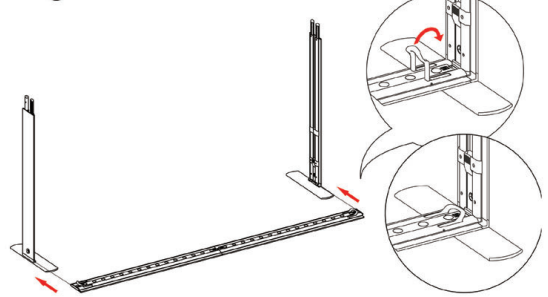
③



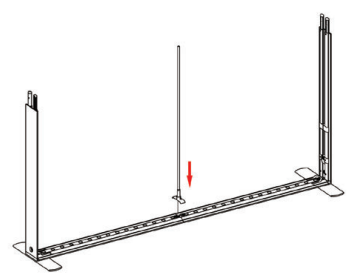
④



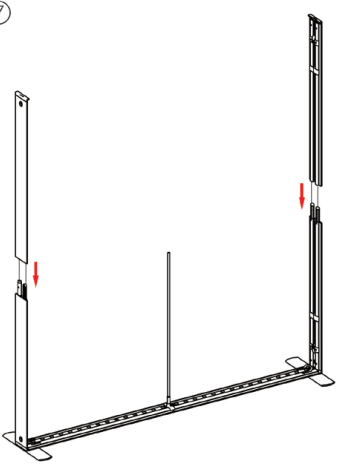
⑤



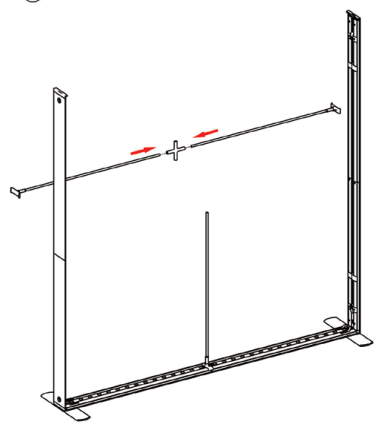
⑥



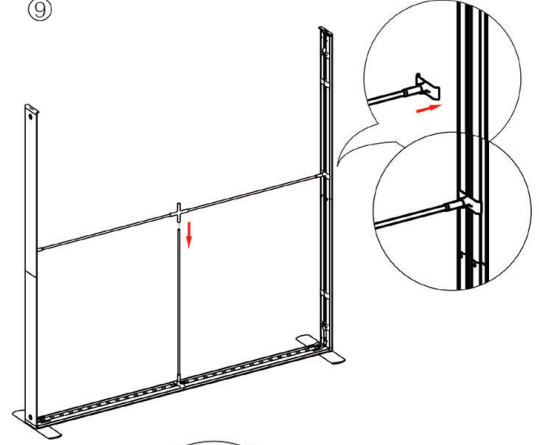
⑦



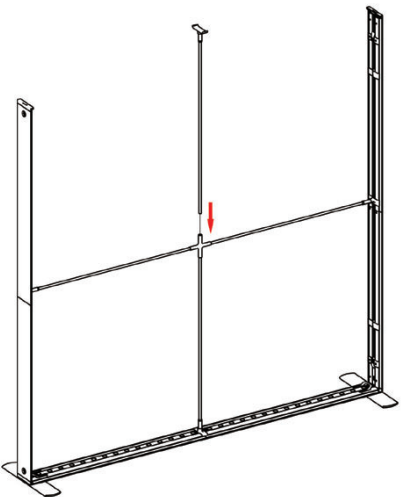
⑧



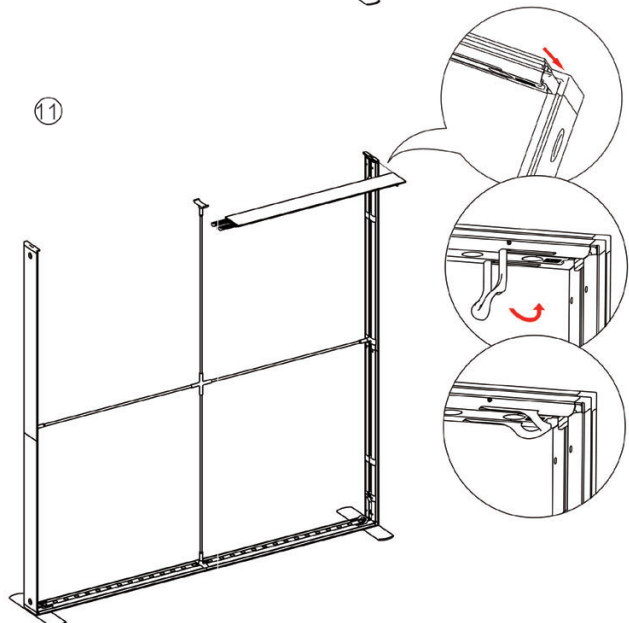
⑨



⑩



⑪

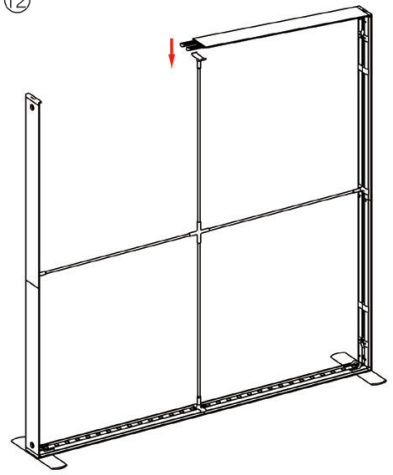


SEGO CONFIGURATION Q5

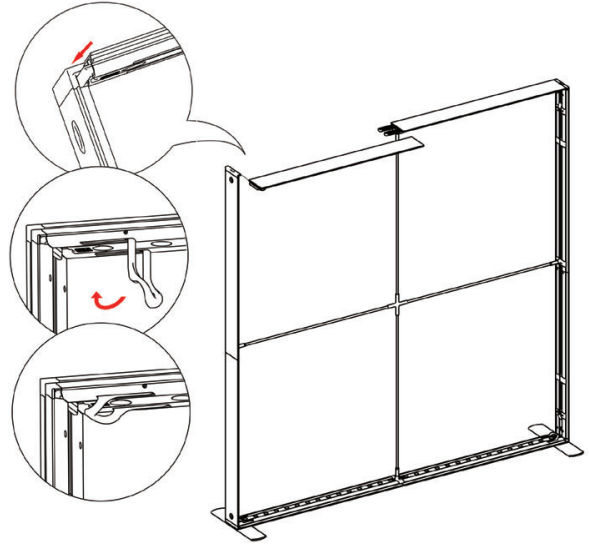
SEGO MODULAR LIGHTBOXES

PRODUCT CODE: SEGO-Q5

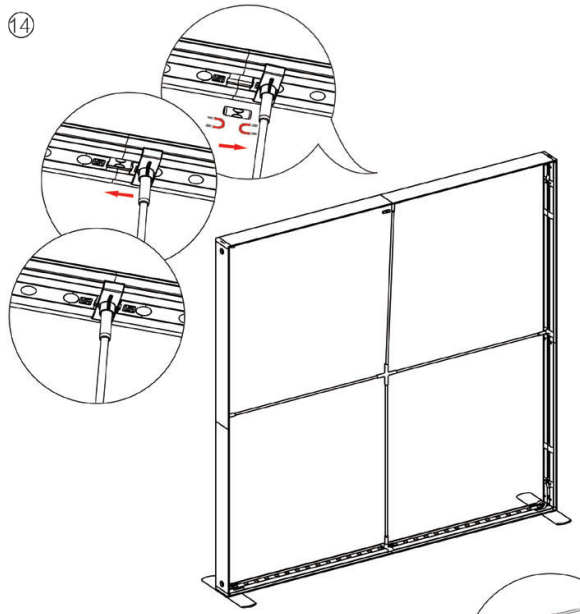
12



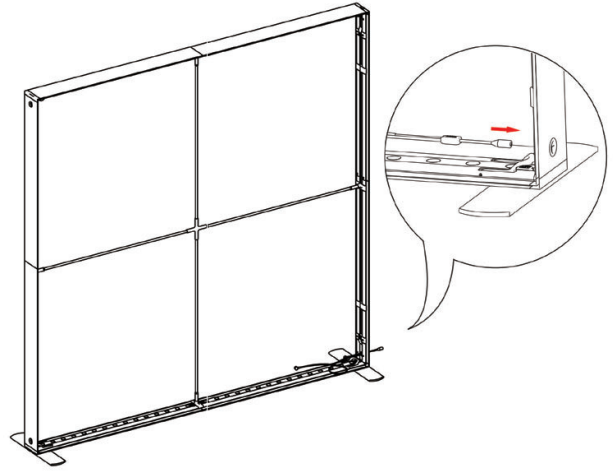
13



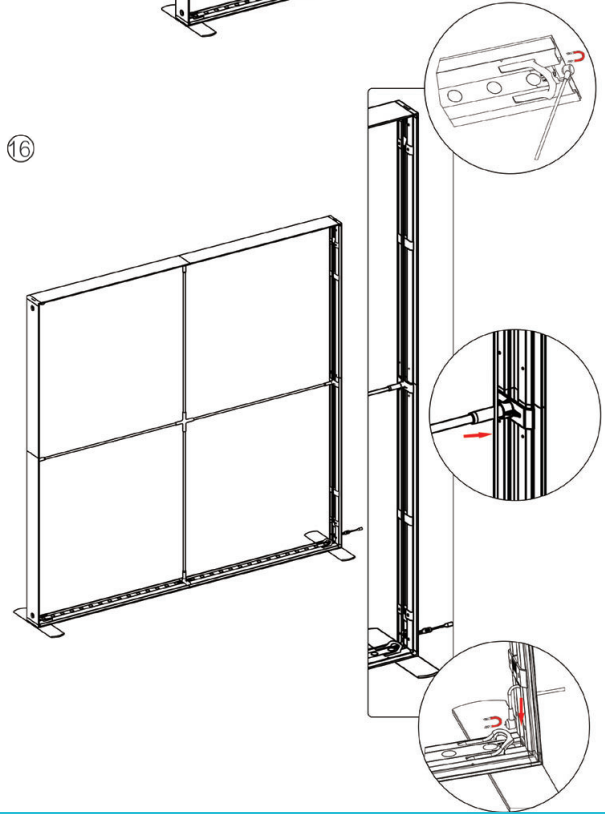
14



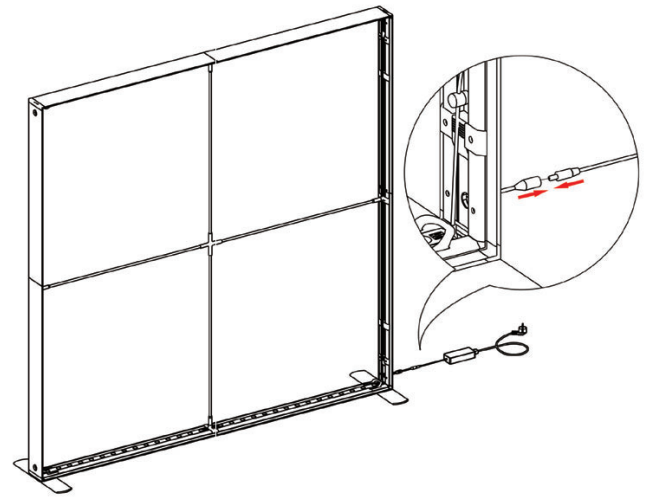
15



16



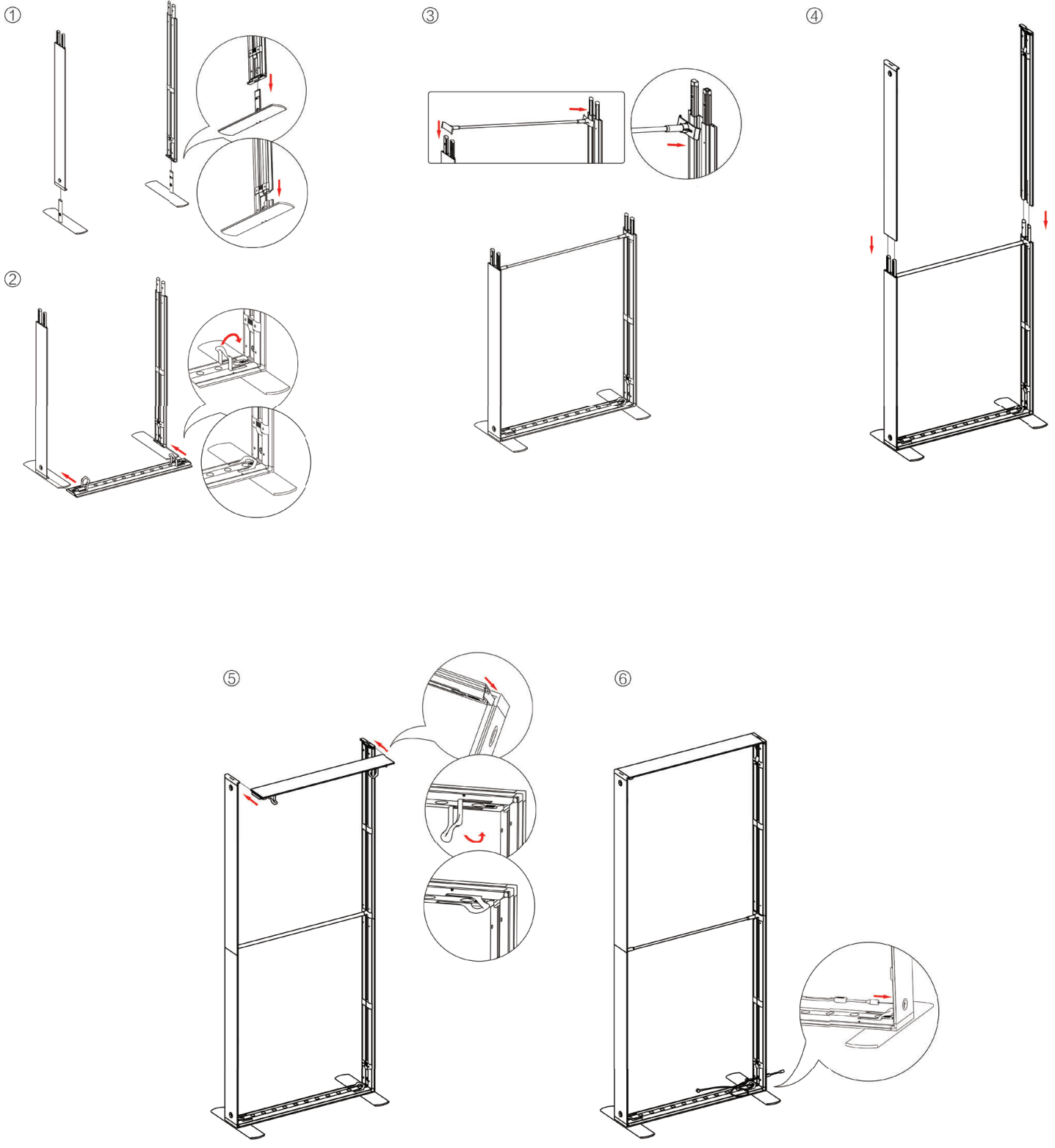
17



SEGO CONFIGURATION Q5

SEGO MODULAR LIGHTBOXES
PRODUCT CODE: SEGO-Q5

SMALL FRAMES ASSEMBLY

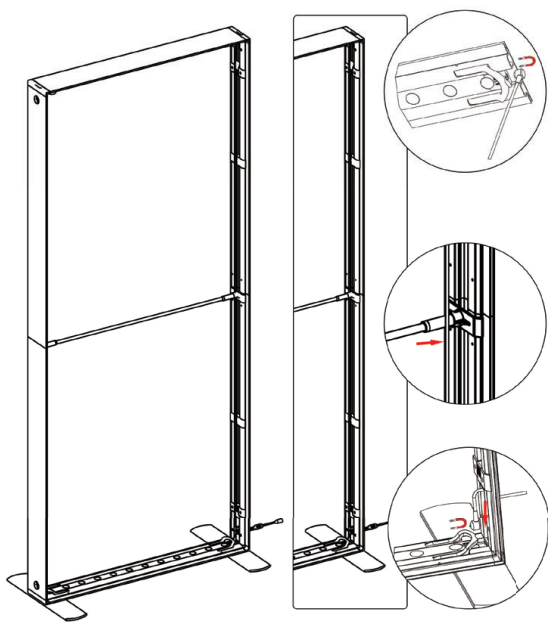


SEGO CONFIGURATION Q5

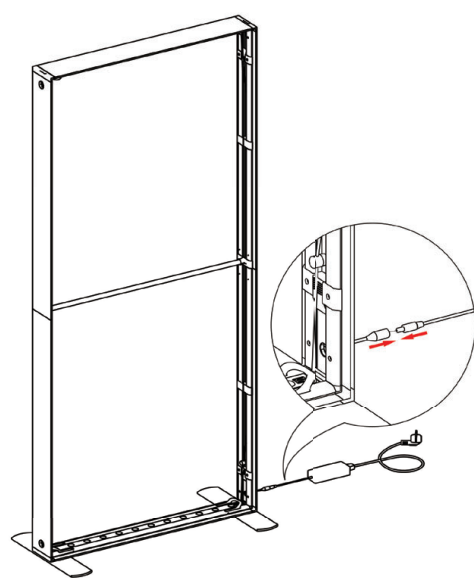
SEGO MODULAR LIGHTBOXES

PRODUCT CODE: SEGO-Q5

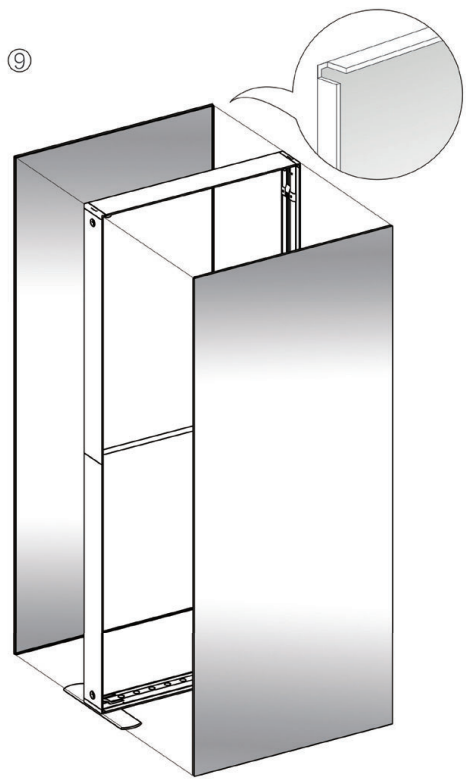
⑦



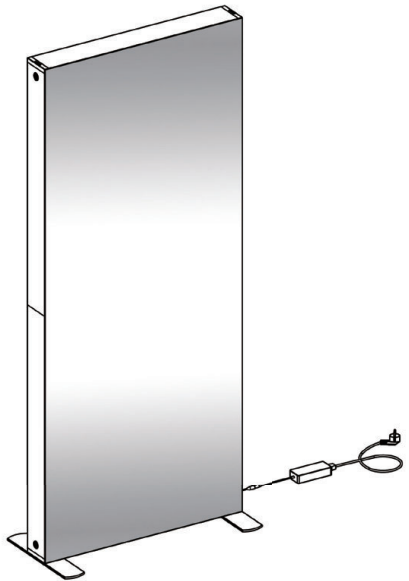
⑧



⑨



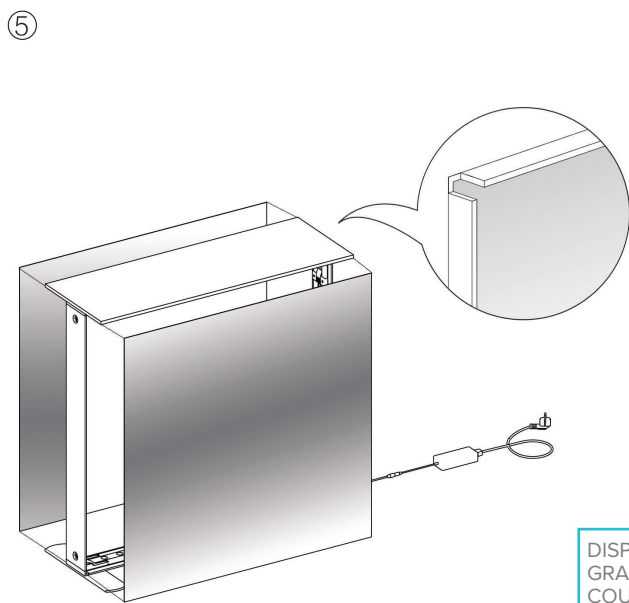
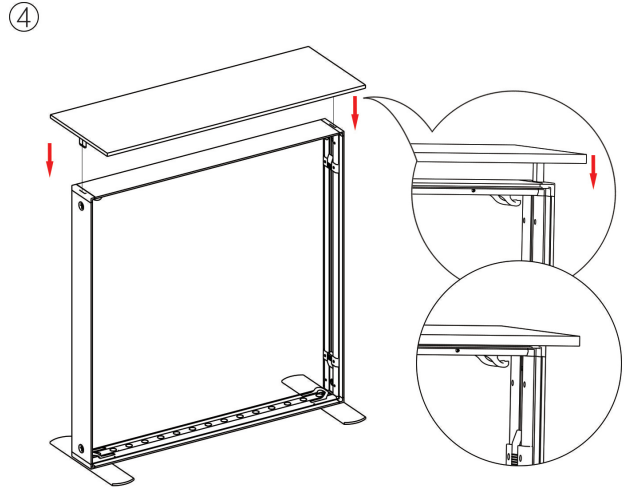
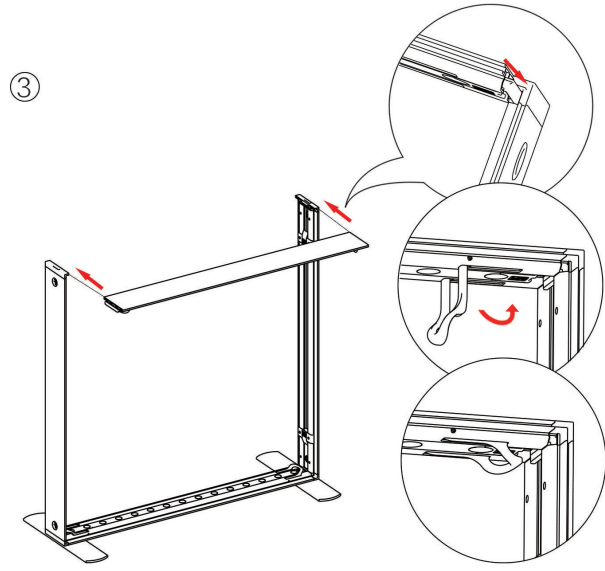
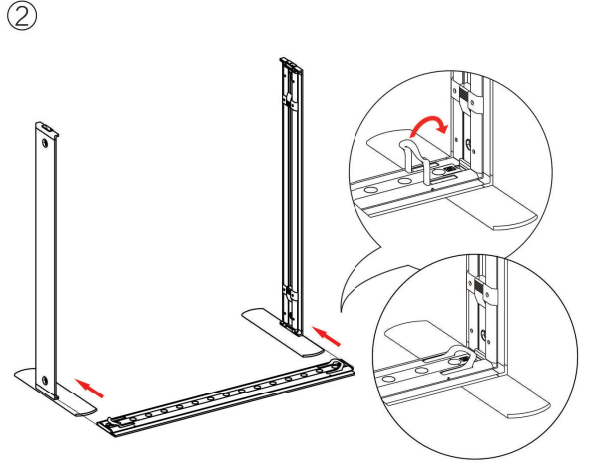
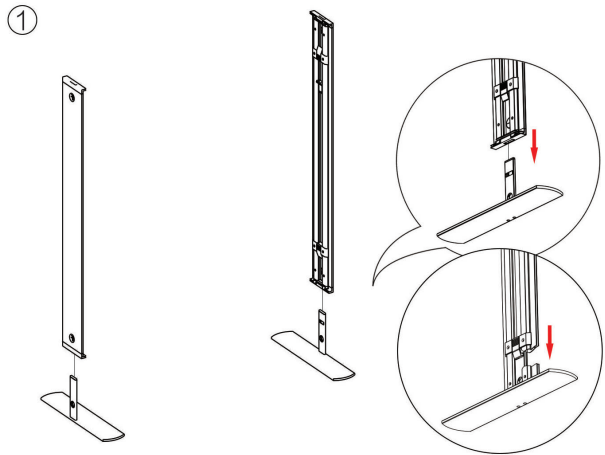
⑩



SEGO CONFIGURATION Q5

SEGO MODULAR LIGHTBOXES
PRODUCT CODE: SEGO-Q5

SET UP COUNTER INSTRUCTIONS

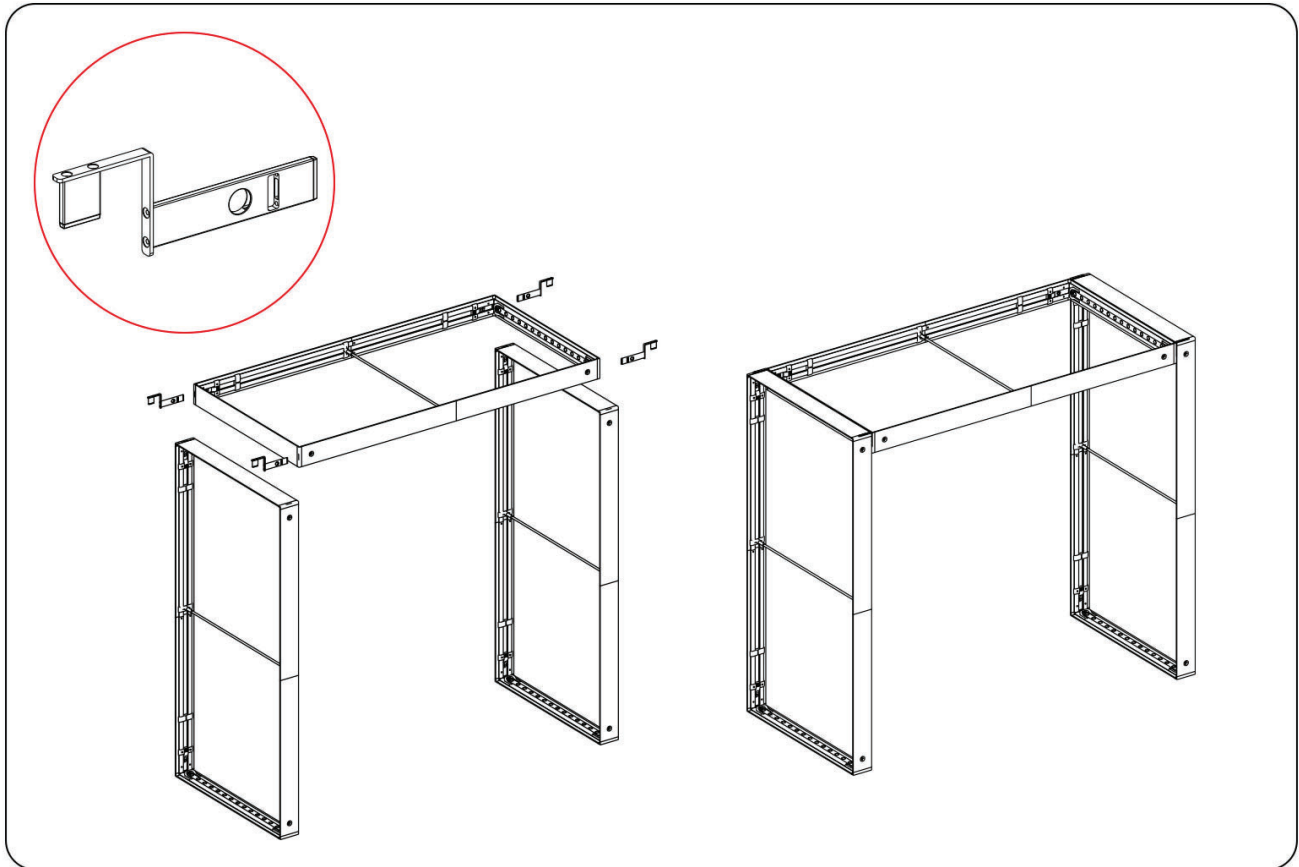


DISPLAY DIMENSIONS	39"W x 39"H x 16.5"D
GRAPHIC SIZE	39.625"W x 39.75"H
COUNTER TOP DIMS	40.5" W x 11.75" D x .6"H
COUNTER WEIGHT LIMIT	11 lbs

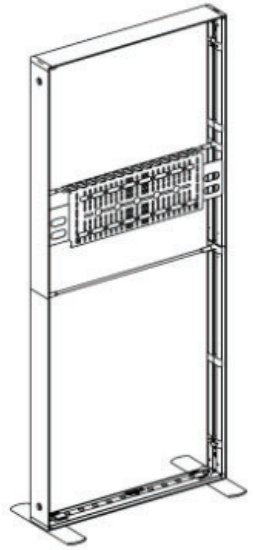
SEGO CONFIGURATION Q5

SEGO MODULAR LIGHTBOXES
PRODUCT CODE: SEGO-Q5

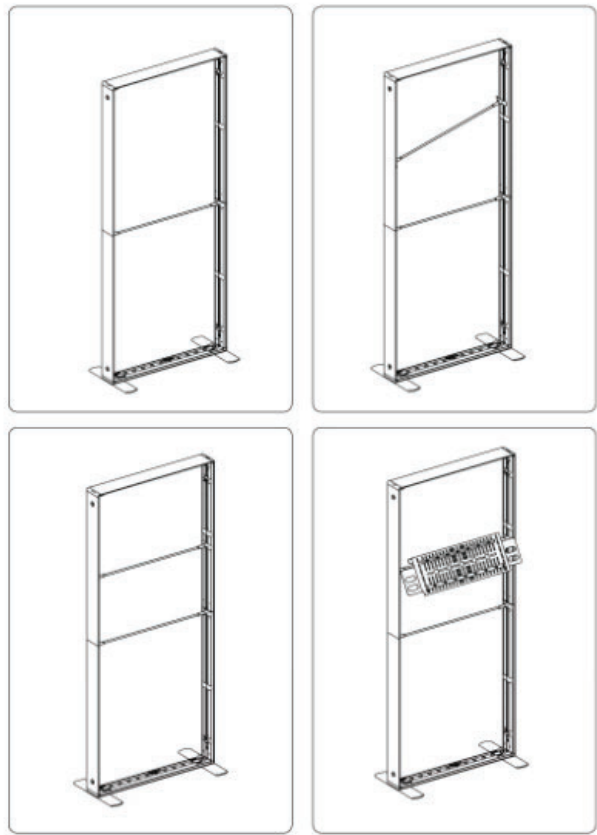
BRIDGE CONNECTION FOR FRAMES



MONITOR BRACKET



Monitor Bracket



HANGING BANNERS

ONE CHOICE - HANGING BANNER
10 FT. CIRCLE 42 IN. SINGLE-SIDED
PRODUCT CODE: OC-HBCIR1042G1



PRODUCT DESCRIPTION

The One Choice Hanging Banner is a must have at your next trade show. These extra large hanging banners are produced from high quality fabric and enable you to be seen from practically anywhere at your trade show. This particular model is 10ft wide and 42 inch tall Includes soft carry bag.

FEATURES

DISPLAY DIMENSIONS

- 10' Diameter x 42" H

GRAPHIC DIMENSIONS

- 186" W x 45" H

GRAPHIC MATERIAL

- Stretch Fabric

GRAPHIC FINISHING

- Hem with zipper

DISPLAY CONSTRUCTION

- 43 mm. dia. aluminum tube

**Front is on black & white material and backer is Stretch.*

WEIGHTS & DIMENSIONS (WITH STAND & GRAPHICS)

SHIPPING WEIGHTS

- (Qty 1): 32 lbs
- (Qty 12): 384 lbs

PACKAGE DIMENSIONS

- (Single Box): 68" L x 15" W x 9" H
- (Freight): 48" L x 40" W x 73" H skid

TURNAROUND TIME

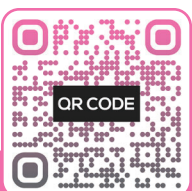
GRAPHIC PACKAGE

- 4 business days after proof approval*

AVAILABILITY

- WEST COAST FULFILLMENT CENTER

*After proof approval, for **up to 2 sets**. Reply with approval via e-mail by 4:00pm PT the day prior to the assigned ship date.



HANGING BANNERS

ONE CHOICE - HANGING BANNER
 10 FT. CIRCLE 42 IN. SINGLE-SIDED
 PRODUCT CODE: OC-HBCIR1042G1

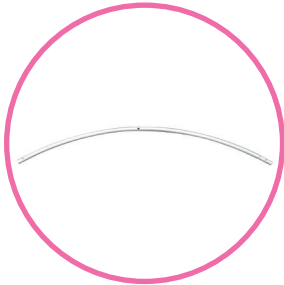


PARTS LIST



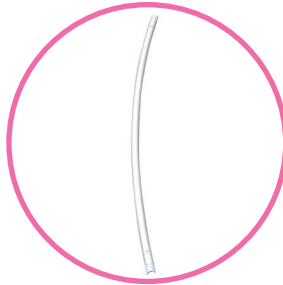
QTY 1:
Carry Bag

- Outside Dimensions:**
- 66" L x 14" W x 7 1/2" H
- Inside Dimensions:**
- 65 1/2" L x 14" W x 7 1/2" H



QTY 12:
Horizontal Curve Tubes

- 62" L
 (58 5/8" + 3 3/8" Tapered off)



QTY 6:
Vertical Curve Tubes

- 42" H (30 mm. dia. tube)



QTY 9:
Large Screws

- 2 3/8" L (Overall Length)
- 2 1/8" L (Thread Length)
- 5/8" Dia. (Head Screw)
- 5/16" (Screw Diameter)



QTY 3:
Eyehook Screws

- 3 3/8" L (Overall Length)
- 2 3/16" L (Thread Length)
- 1 1/8" W x 1/4" L (Eyebolt)
- 11/16" Dia. (Inside Eyebolt)
- 5/16" (Screw Diameter)



QTY 8:
Hook Loop Lock

- 3/4" W x 3/4" H
 (Overall Size)
- 1/4" Dia. (Hex Nut)
- 1/8" (U-Bolt Diameter)



QTY 1:
Cable

- 10 m



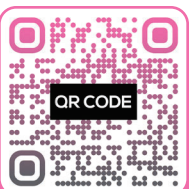
QTY 6:
Chains

- 2" H (Per each chain)



QTY 1:
6mm Allen Key

- 3 1/2" L



Scan QR Code To View More Resources.

NOTE: To suspend hanging banner, professional rigging services are recommended and may be required at most sites.

HANGING BANNERS

ONE CHOICE - HANGING BANNER
10 FT. CIRCLE 42 IN. SINGLE-SIDED
PRODUCT CODE: OC-HBCIR1042G1



CARE SHEET - DYE-SUB FABRIC

HANDLING TIPS

1. If your exhibit fabric has a zipper, please keep zipper closed for storage.
2. Wrinkles can be removed with cool iron or fabric steamer.
3. Fabric should NOT be stored when damp or wet. Store in cool, dry area.
4. For storing graphics please remove from plastic packaging that was provided and keep fabric in cool/dry place.

WASHING

1. Your fabric graphic can be machine washed. Remove any hardware attached to the fabric prior to cleaning. Use MILD soap and cool water. Air dry fabric, dry on frame if frame is available.
2. Fabric must be COMPLETELY dry prior to storing.
3. DO NOT DRY CLEAN

STAIN TREATMENT

1. Treat stain from backside of fabric.
2. Remove as much debris as possible with a soft bristle brush (do NOT rub too hard).
3. Use a clean, lint-free white cloth. Lightly pat the stain from the outside moving in (to keep stain from spreading).
4. If a cleaning solution is used, rinse the area well with water to ensure NO solution is left on fabric.
5. Most stains can be treated with household fabric stain removers. It is ALWAYS important to test how the solution will react to the fabric. This can be tested by dabbing solution to a small corner of the fabric. Most household cleaners will provide treatment instructions depending on the type of stain.



- Wrinkles can be removed from fabric with a cool iron or steamer.



- Fabric can be machine washed - use cold water, delicate cycle.



- Do NOT bleach fabric



- Do NOT tumble dry. Fabric must be air dried on the frame to prevent shrinking.

