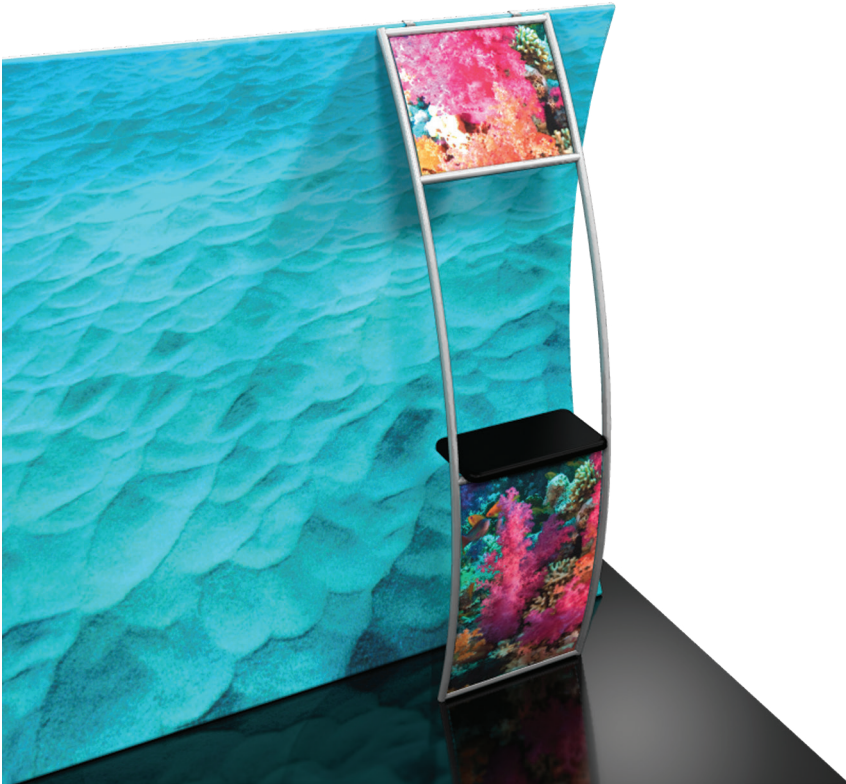


Formulate Accent Counter

FMLT-WLC

Formulate™ accents enhance the functionality of any 10ft or 20ft backwall and add more real estate for messaging too! With monitor supports, literature pockets, shelves, tables, counters and more, you are sure to find the accent that best suits your needs. Right side table and graphic headers also available.



We are continually improving and modifying our product range and reserve the right to vary the specifications without prior notice. All dimensions and weights quoted are approximate and we accept no responsibility for variance. E&OE. See Graphic Templates for graphic bleed specifications.

features and benefits:

- State-of-the-art brushed 30mm aluminum tube frame with snap button assembly
- Features 20" wide counter
- Top and bottom printed infill panels
- Kit includes: one frame, two panel graphics, counter, and one wheeled molded OCH storage case
- Lifetime hardware warranty against manufacturer defects

dimensions:

Hardware	Graphic
<p>Assembled unit: 23.6" w x 92.7" h x 21.2" d 668mm(w) x 2355mm(h) x 538mm(d)</p> <p>Counter dimensions: 20.47" w x 11.81" d</p> <p>Approximate weight (includes graphics): 21 lbs / 9.5 kgs</p>	<p>Total visual area: Top: 21" w x 17" h Bottom: 21" w x 38" h</p> <p>Please be sure to include 1/2" bleed around the perimeter.</p> <p>Refer to related graphic template for more information.</p>
<p>Shipping</p> <p>Shipping dimensions: One OCH case: 50" l x 29" w x 12" h</p> <p>Approximate shipping weight (with case): 51 lbs / 23 kgs</p>	<p>Visit: www.exhibitors-handbook.com/graphic-templates</p>

additional information:

Graphic material:
3mm / 6mm white pvc

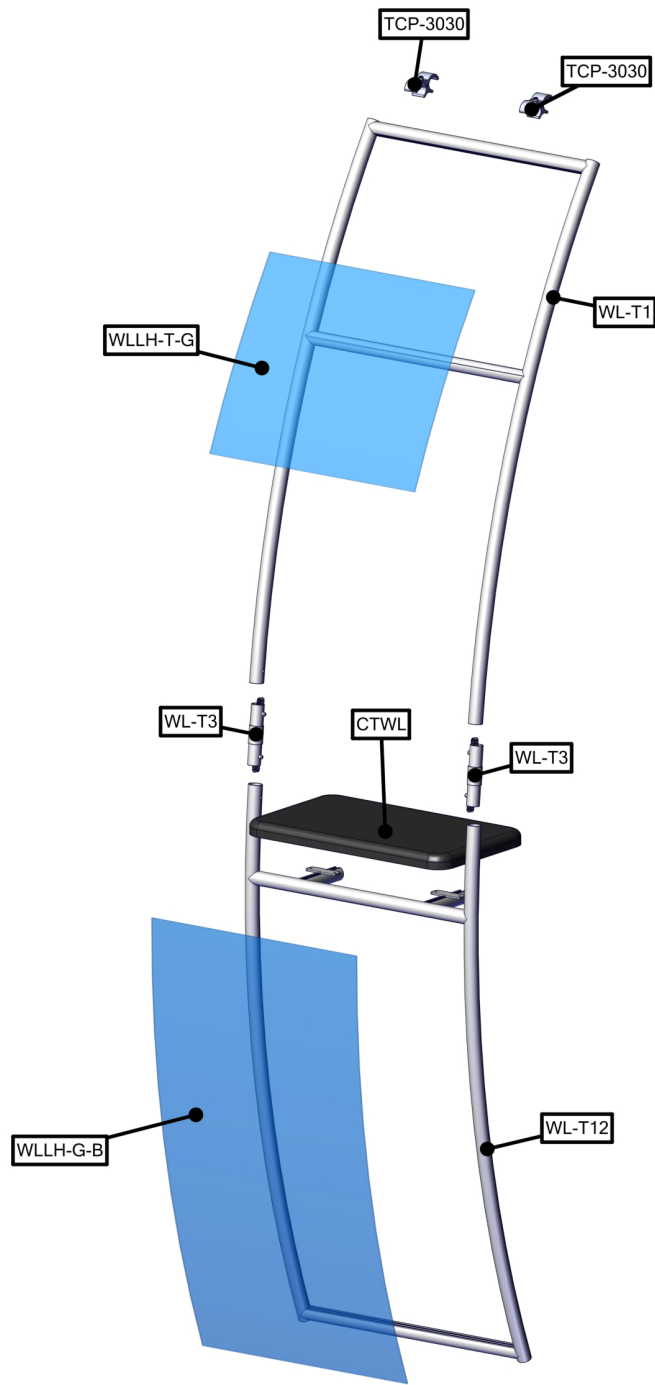
Counter holds max 10 lbs / 4.5 kgs

Table colors:

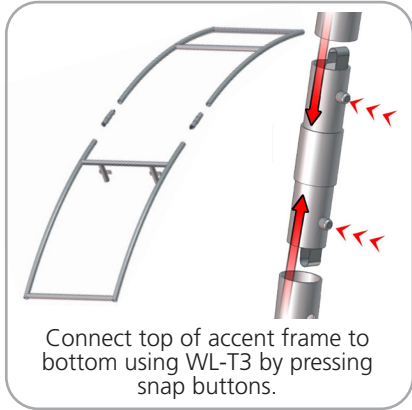


www.display-setup-animations.com

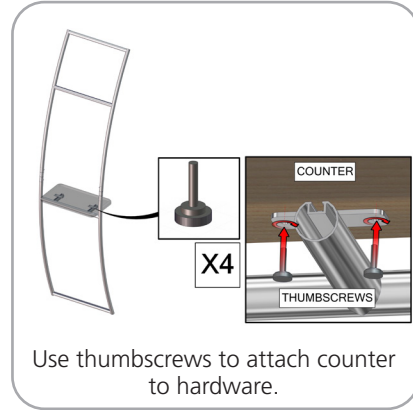
Parts Included		
Part Label	Qty	Part Code
520 X 300 X 30 COUNTER	x1	CTWL03
PARALLEL TUBE CLAMP FOR 30MM TUBES	x2	TCP-3030
30MM TUBE SECTION	x2	WL-T3
30MM TUBE SECTION	x1	WL-T12
30MM TUBE SECTION	x1	WL-T1
TOP SINTRA GRAPHIC	x1	WLLH-T-G
BOTTOM SINTRA GRAPHIC	x1	WLLH-G-B



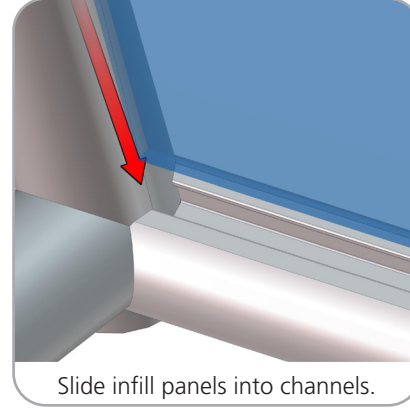
STEP 1: ASSEMBLE FRAME



STEP 2: ATTACH COUNTER



STEP 3: ATTACH GRAPHICS



STEP 4: ATTACH TO BACKWALL WITH CLAMPS

