

Orbital Truss Kiosk 01

OR-KIOSK-01





Orbital Express™ Truss Kiosks are the perfect way to display media and/or literature at any trade show, event, retail or corporate space. Kiosks complement the Orbital Truss Express line of 10', 20' and 20' x 20' displays. Monitors not included. Kiosk table tops and bases available in choice of four thermoform finishes.



features and benefits:

- Finished Base
- Magnet mounted graphic
- OCH2 molded case
- Small monitor bracket: Holds sizes 17" - 37"
- Max weight: 40 lbs / 18 kg
- 5 year warranty against manufacturer defects

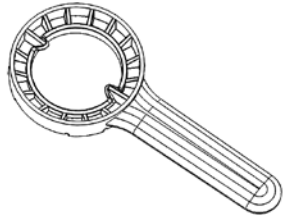
dimensions:

Hardware	Graphic
<p>Assembled unit: 30" w x 73.75" h x 20" d 762mm(w) x 1873mm(h) x 508mm(d)</p> <p>Approximate weight with cases: 39 lbs / 18 kg</p>	<p>Refer to related graphic template for more information.</p> <p>Visit: www.exhibitors-handbook.com/graphic-templates</p>
Shipping	additional information:
<p>Packing case(s): 1 OCH2</p> <p>Shipping dimensions: 52" w x 29" h x 15" d 1321mm(w) x 737mm(h) x 381mm(d)</p> <p>Approximate total shipping weight (with case): 72 lbs / 33 kg</p>	<p>Graphic material: 6mm White PVC</p> <p>*Kit does not include monitors</p> <p>Base color options:</p> <div style="display: flex; justify-content: space-around; align-items: center;"> <div style="text-align: center;">  <p>silver</p> </div> <div style="text-align: center;">  <p>black</p> </div> <div style="text-align: center;">  <p>mahogany</p> </div> <div style="text-align: center;">  <p>natural</p> </div> </div>

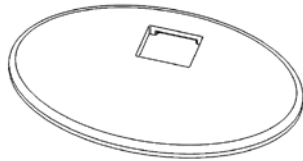
We are continually improving and modifying our product range and reserve the right to vary the specifications without prior notice. All dimensions and weights quoted are approximate and we accept no responsibility for variance. E&OE. See Graphic Templates for graphic bleed specifications.

Included In Your Kit

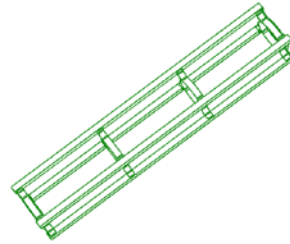
Truss, Components, & Connectors



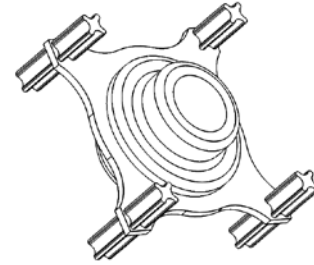
OR-TOOL-B x1



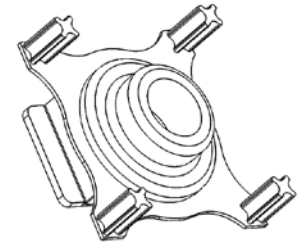
OR-B1-B x1



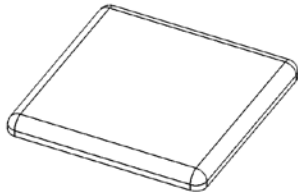
OR-36-2 x2



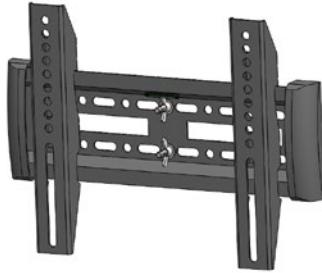
OR-QL-T2T x1



OR-UNC-QL x1

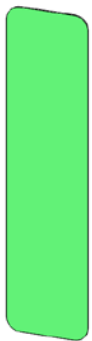


OR-TEC-15-B x1



OR-SM-MB x1

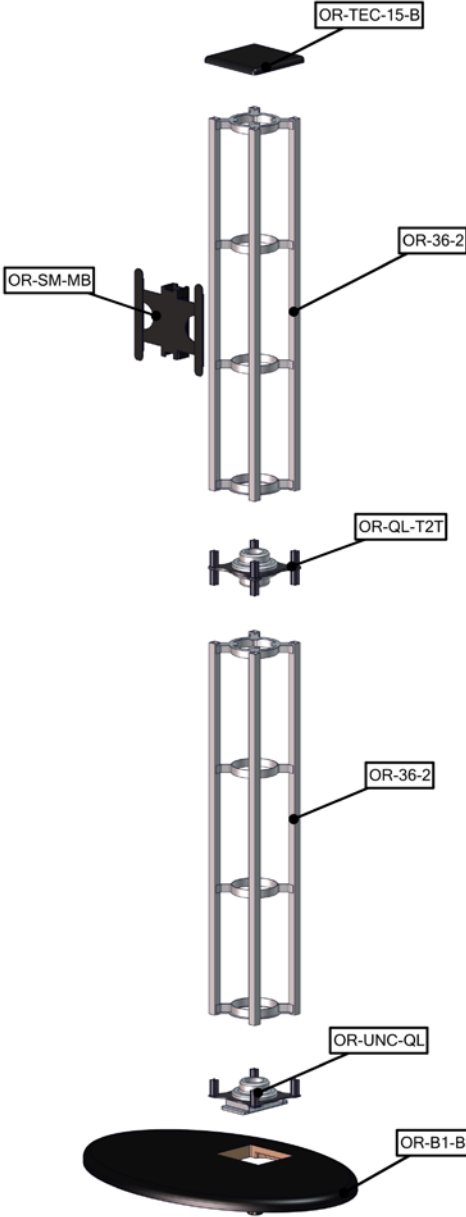
Graphics



OR-KIOSK-01-G-UV x1

Exploded View

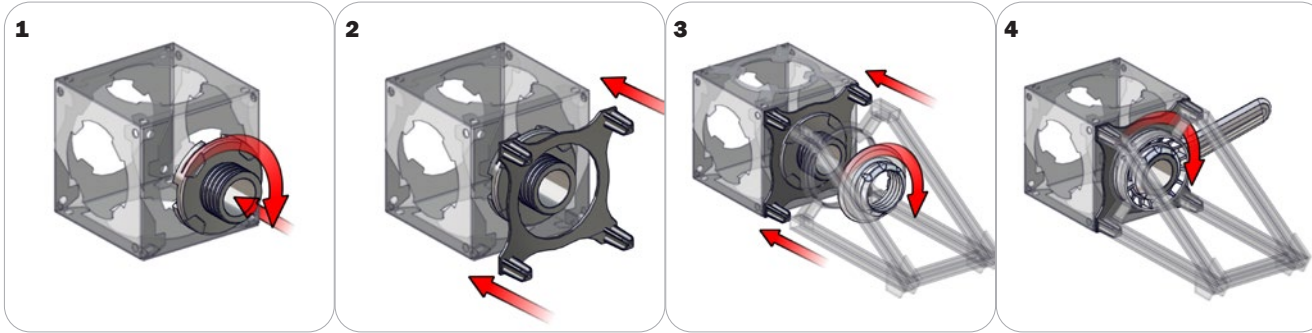
OR-KIOSK-01



Connection Methods

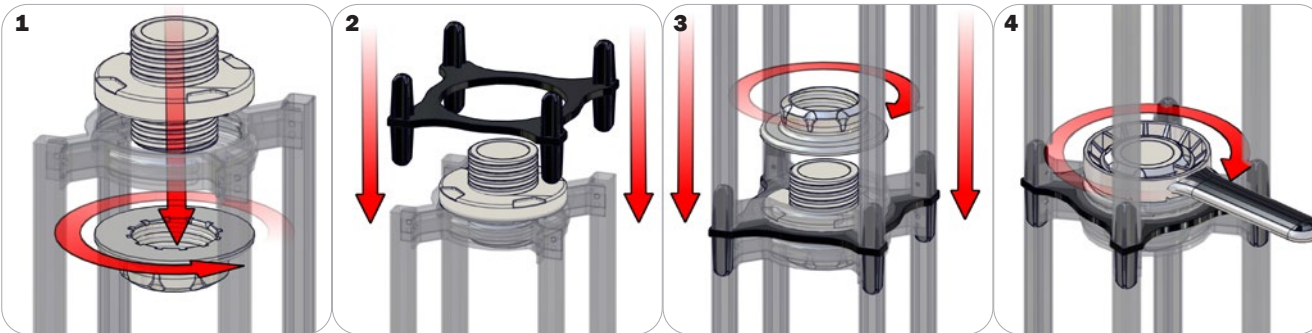
Orbital Express Truss™ structures use a number of different yet simple connection methods. Your kit will include one or more of the connection methods shown below. Steps within the Kit Assembly will reference a specific method for each connection point.

Connection Method 1: Truss To Junction Box (OR-QL-T2J)



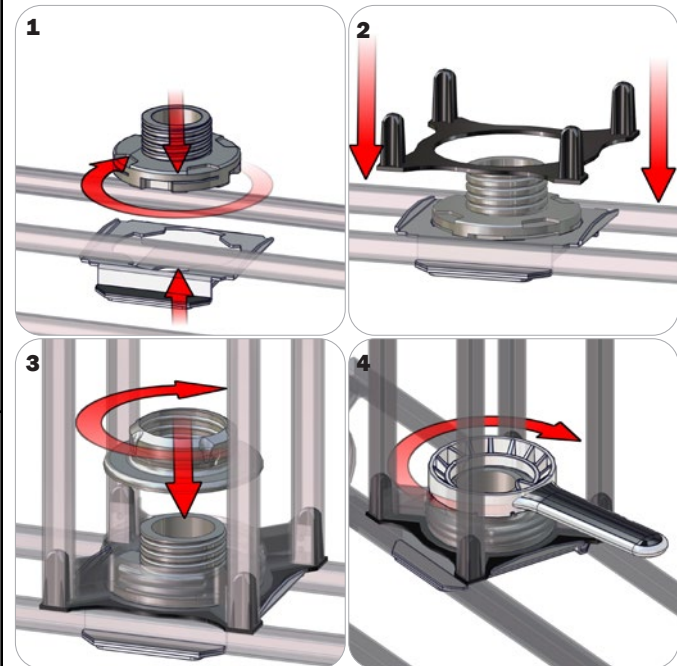
With your OR-QL-T2J (T2J) connector disassembled, insert the twist-lock hub of the connector into any large hole of the junction box and turn clockwise to lock into place (as shown in step 1). Place the bracket over the locked portion of the T2J connector so that the protruding hubs face outward (as shown in step 2). Push the truss you wish to connect onto the hubs of the T2J bracket. The hubs will slide into the holes in the end of the truss. Hand tighten the remaining cap onto the T2J connector and lock tight and securely using your OR-TOOL-B tool.

Connection Method 2: Truss To Truss (OR-QL-T2T)



With your OR-QL-T2T (T2T) connector disassembled, assemble onto the end of your truss with the double-sided screw hub and a screw cap, then tighten with your OR-TOOL-B tool (as shown in step 1). Locate the bracket for your T2T connector. Insert the hubs of the bracket into the holes on the end of your truss. Add the truss you wish to connect by inserting the hubs of the bracket onto the second truss. Sandwich the end of the truss using the second screw cap and lock tight and securely using your OR-TOOL-B tool.

Connection Method 3: Universal Connector (OR-UNC-QL) / Accessories



With your OR-UNC-QL (UNC) connector disassembled, assemble onto the end of the truss using the metal bracket and the screw hub. Turn clockwise to lock the bracket and twist-locking hub together. Add the plastic hub over the locked pieces so that the protruding hubs point away and the bracket sits flush. Push the truss you wish to connect onto the bracket, letting the hubs insert into the holes of the truss. Hand tighten the remaining cap onto the T2J connector and lock tight and securely using your OR-TOOL-B tool.

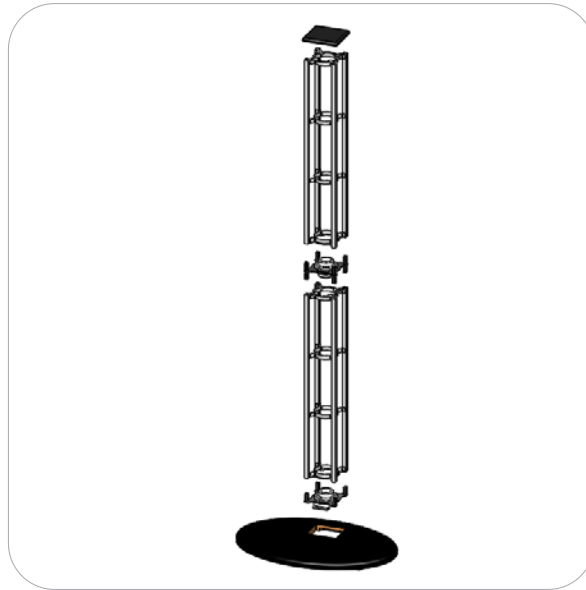
Kit Assembly

Step by Step

Step 1.

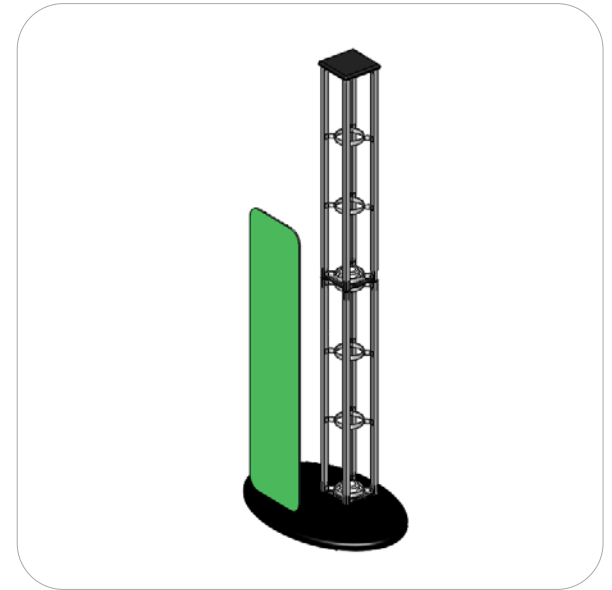
Assemble your truss kit according to the Exploded View. It is recommended to build your assembly from bottom to top.

Please reference Connection Methods 2 & 3 for more details.



Step 2.

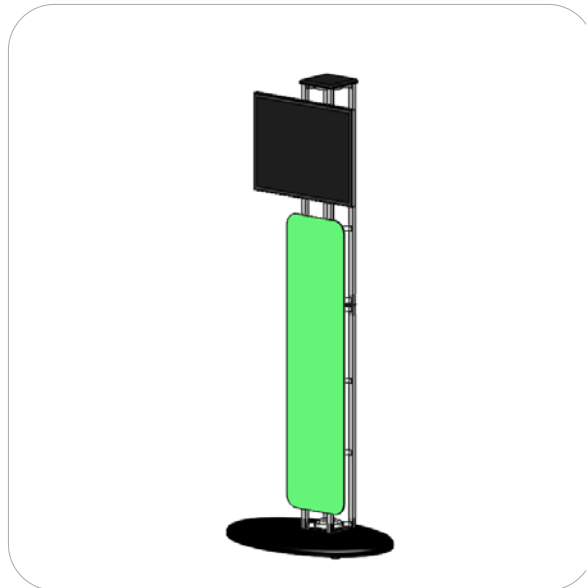
To attach your UV panel graphic, simply attach the graphic to the truss utilizing the pre-applied magnets.



Step 3.

Apply your monitor bracket to the front of your kiosk.

Please reference Monitor Bracket instruction sheets for more details.



Monitor Bracket Instructions

Orbital Truss Applications



OR-SM-MB

Sizes: 17" - 37"
MAH weight varies per application



OR-M-MB

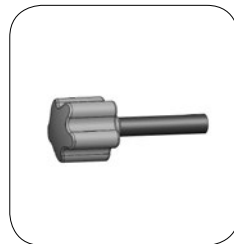
Sizes: 32" - 55"
MAH weight varies per application



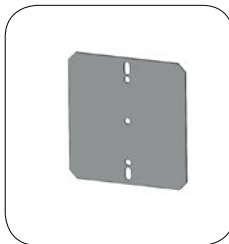
OR-LG-MB

Sizes: 40" - 65"
MAH weight varies per application

Included hardware:



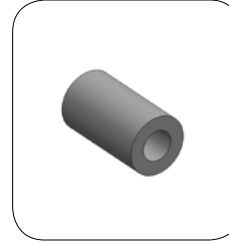
OR-IS-KNOB-2 x2



OR-TVA-PLT x1



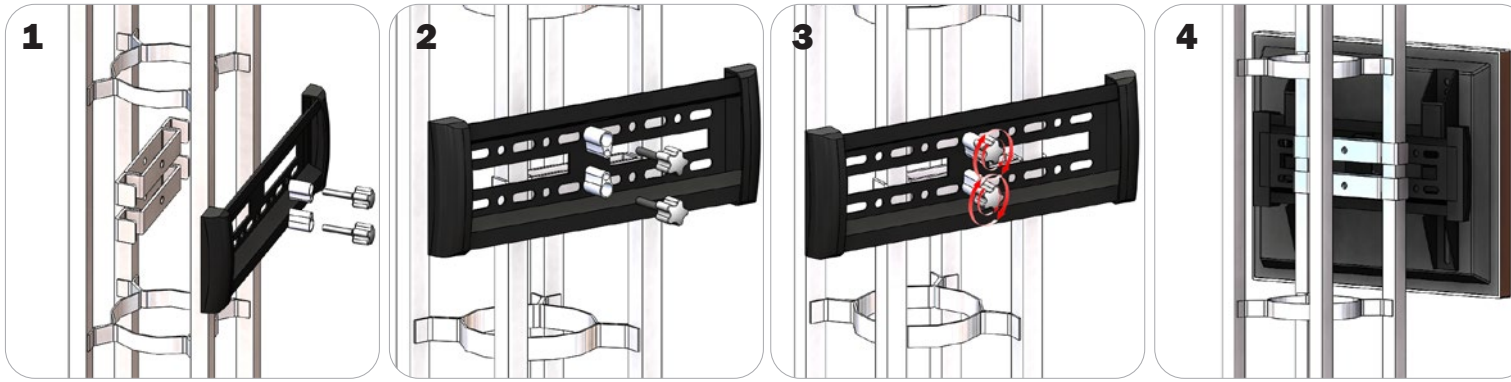
OR-TVA-PBKT x2



Spacer x2

ORBITAL TRUSS CONNECTION

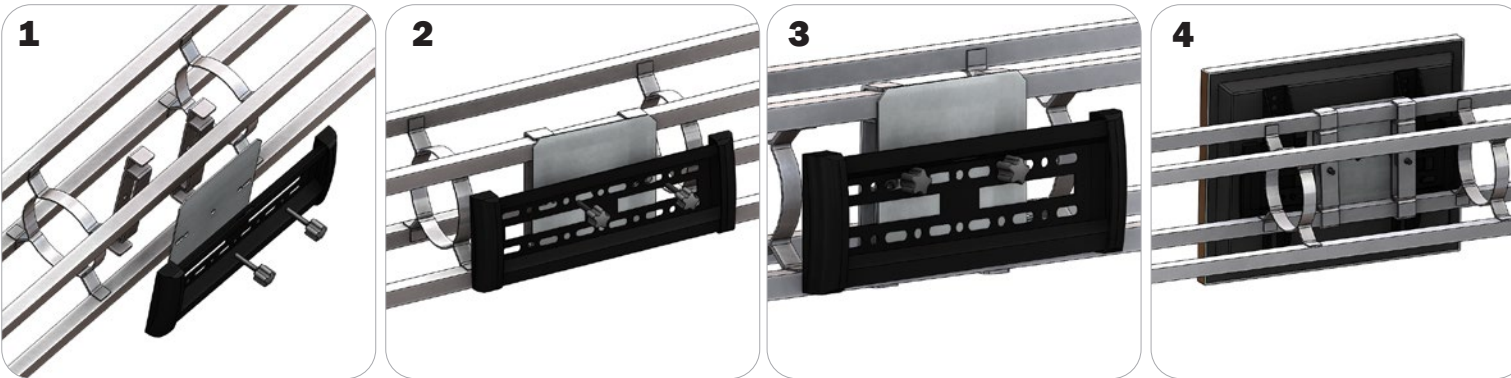
Vertical Connection



Locate all components needed to assemble the monitor mount with the Vertical Orbital Truss method. You will need (1) monitor bracket, (2) OR-TVA-PBKT-1 brackets, (2) OR-KNOB-2, and (2) spacers. Determine your desired monitor location. Place the **Step 1:** OR-TVA-PBKT-1 brackets so that they wrap around the posts of the truss.

Step 2: Align your monitor bracket so that the center holes align with the bracket holes behind them. **Step 3:** One at a time place a spacer over the hole and thread your OR-KNOB-2 thumbscrews. **Step 4:** Reference the included manufacturer monitor mount instructions for fastening your monitor to the bracket.

Horizontal Connection



Locate all components needed to assemble the monitor mount with the Horizontal Orbital Truss method. You will need (1) monitor bracket, (2) OR-TVA-PBKT-1 brackets, (2) OR-KNOB-2, and (1) OR-TVA-PLT. Determine your desired monitor location.

Step 1: Place the OR-TVA-PBKT-1 brackets so that they wrap around the posts of the truss. Add your OR-TVA-PLT and align the holes to the OR-TVA-PBKT-1. **Step 2:** Align your monitor bracket so that the left and right holes align with the plate holes behind them. **Step 3:** One at a time thread your OR-KNOB-2 thumbscrews through the holes. **Step 4:** Reference the included manufacturer monitor mount instructions for fastening your monitor to the bracket.