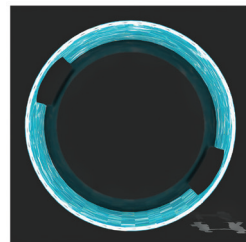
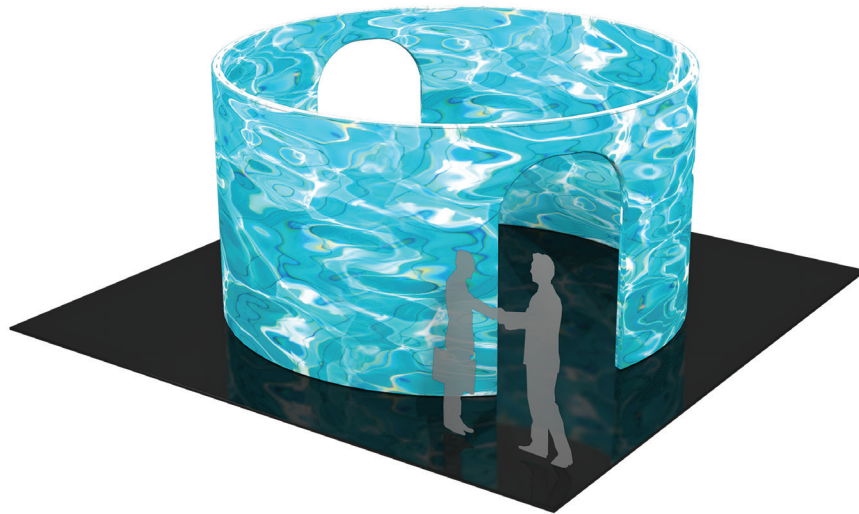


Formulate Tree House

TREEHOUSE-RM

The Formulate™ Tree House is a cylinder-shaped space perfect for meetings, graphical displays, projected presentations, a theater setting & much more. The Tree House is 15 ft in diameter, 8ft tall and features two 7 ft tall doorways, encouraging traffic flow through the structure.



Top View

We are continually improving and modifying our product range and reserve the right to vary the specifications without prior notice. All dimensions and weights quoted are approximate and we accept no responsibility for variance. E&OE. See Graphic Templates for graphic bleed specifications.

features and benefits:

- State-of-the-art 50mm curved aluminum tube frame with heavy-duty internal spigots
- Cylinder-shaped room is 15ft in diameter
- Two 7ft tall doorways encourage traffic flow
- Kit includes: one frame, one dye-sublimated zipper pillowcase graphics, and three wheeled molded OCE storage cases
- Lifetime hardware warranty against manufacturer defects

dimensions:

Hardware

Assembled unit:
180" dia. x 96" h (open on top)
4571mm(dia) x 2439mm(h)

Approximate kit weight (includes graphic):
148.11 lbs / 67 kgs

Shipping

Shipping dimensions - ships in 3 cases:
3 OCE cases: 18"l x 18"w x 40" up to 66"h
(per case)

Approximate shipping weight (with cases):
229.11 lbs / 110 kgs

Graphic

Total visual area:
564.4" w x 96" h

Outside visual area: 564.4" w x 96" h
Inside visual area: 552.56" w x 96" h

Please be sure to include 5" bleed around the perimeter.

Refer to related graphic template for more information.

Visit:
www.exhibitors-handbook.com/graphic-templates

additional information:

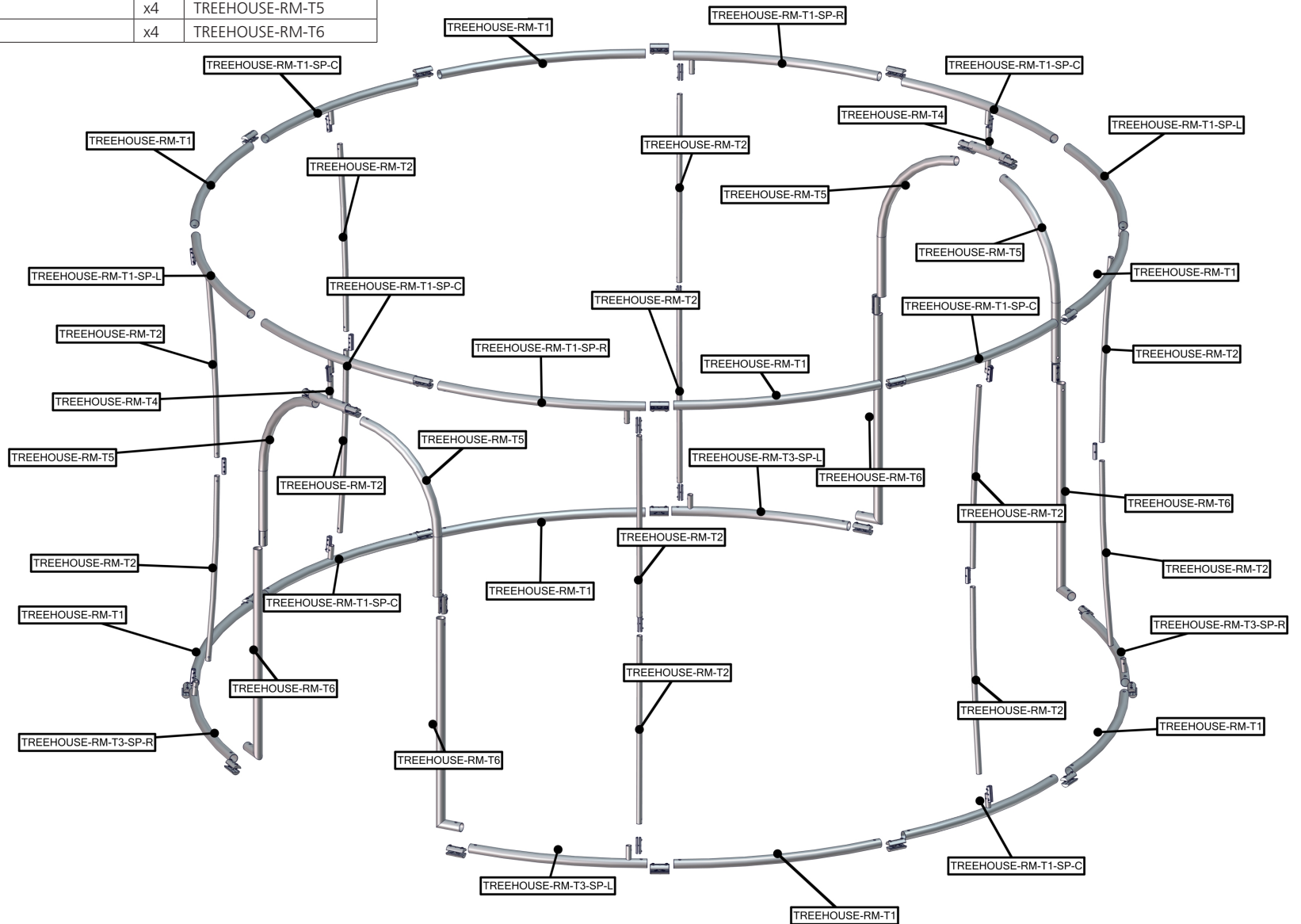
Graphic material:
Dye-sublimated zipper pillowcase fabric

Single-sided treehouse outside printed only

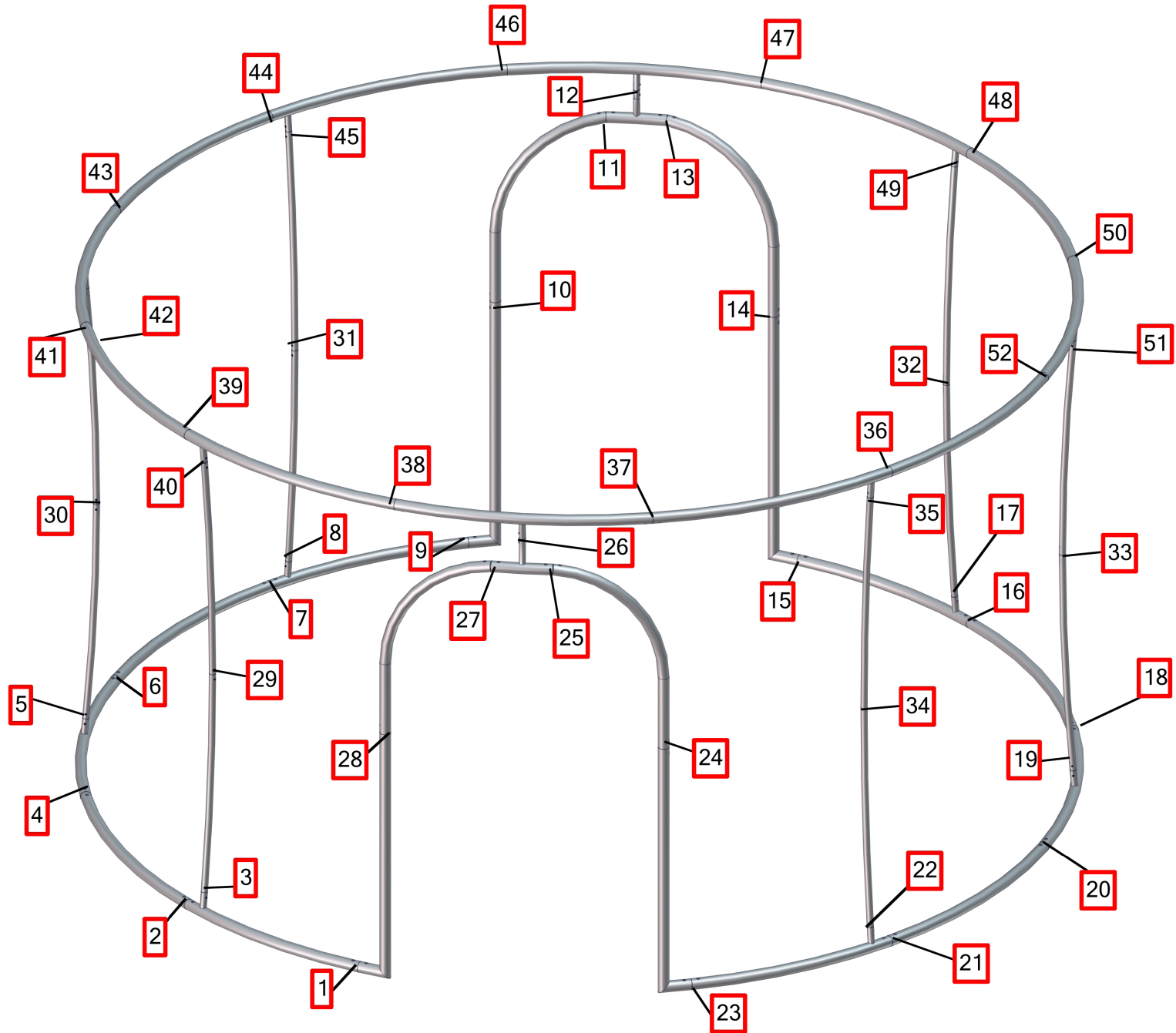


www.display-setup-animations.com

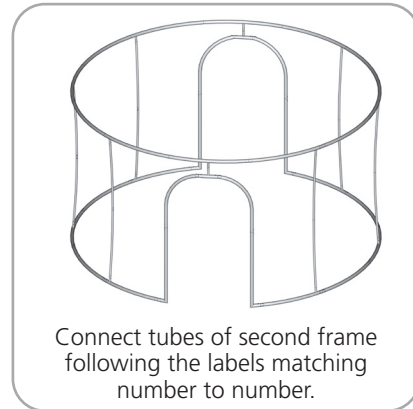
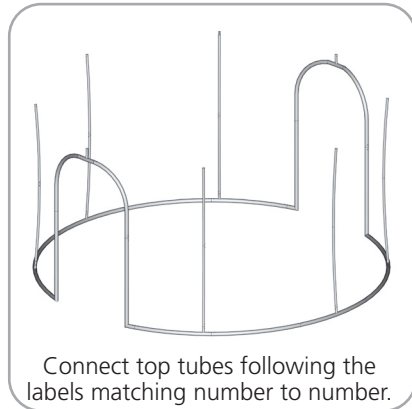
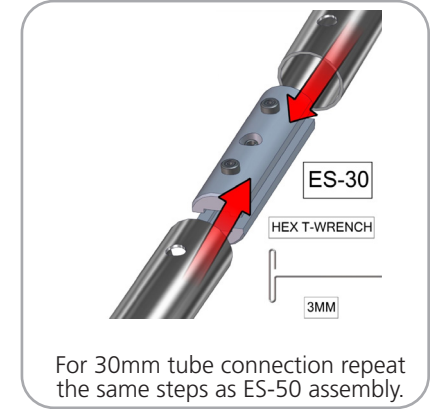
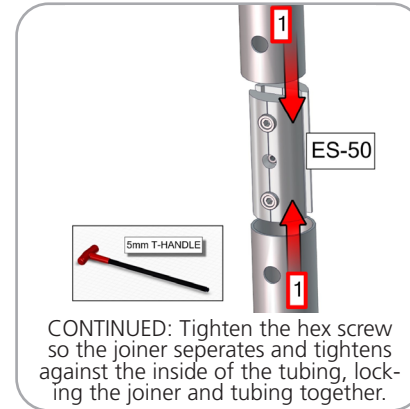
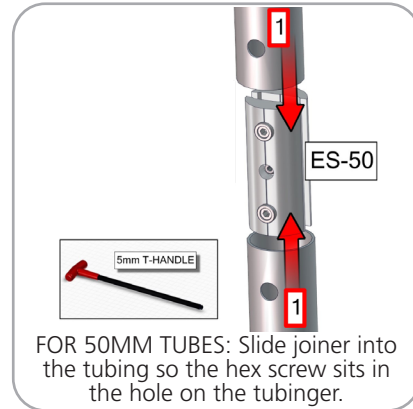
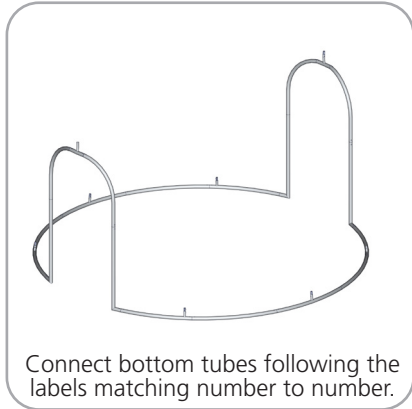
| Parts Included | | |
|---|-----|----------------------|
| Part Label | Qty | Part Code |
| 50MM CURVED TUBE WITH SPREADER | x10 | TREEHOUSE-RM-T1-SP |
| 50MM CURVED TUBE WITH SPREADER RIGHT SIDE | x2 | TREEHOUSE-RM-T3-SP-R |
| 30MM CURVED SPREADER | x12 | TREEHOUSE-RM-T2 |
| 50MM CURVED TUBE | x8 | TREEHOUSE-RM-T1 |
| 50MM CURVED TUBE WITH SPREADER | x1 | TREEHOUSE-RM-T4 |
| 50MM CURVED TUBE WITH SPREADER RIGHT SIDE | x2 | TREEHOUSE-RM-T1-SP-R |
| 50MM CURVED TUBE WITH SPREADER | x1 | TREEHOUSE-RM-T4 |
| 50MM CURVED TUBE | x4 | TREEHOUSE-RM-T5 |
| 50MM CORNER TUBE | x4 | TREEHOUSE-RM-T6 |



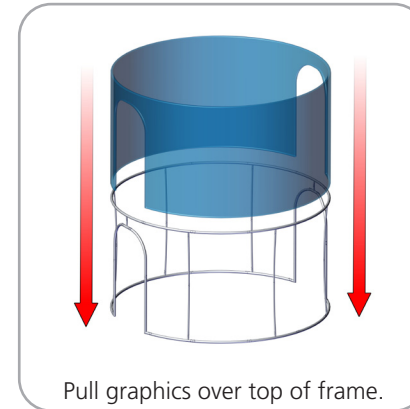
ASSEMBLE FRAME AS SHOWN



STEP 1: ASSEMBLE FRAME



STEP 2: ATTACH GRAPHICS



STEP 3: ZIP GRAPHIC

