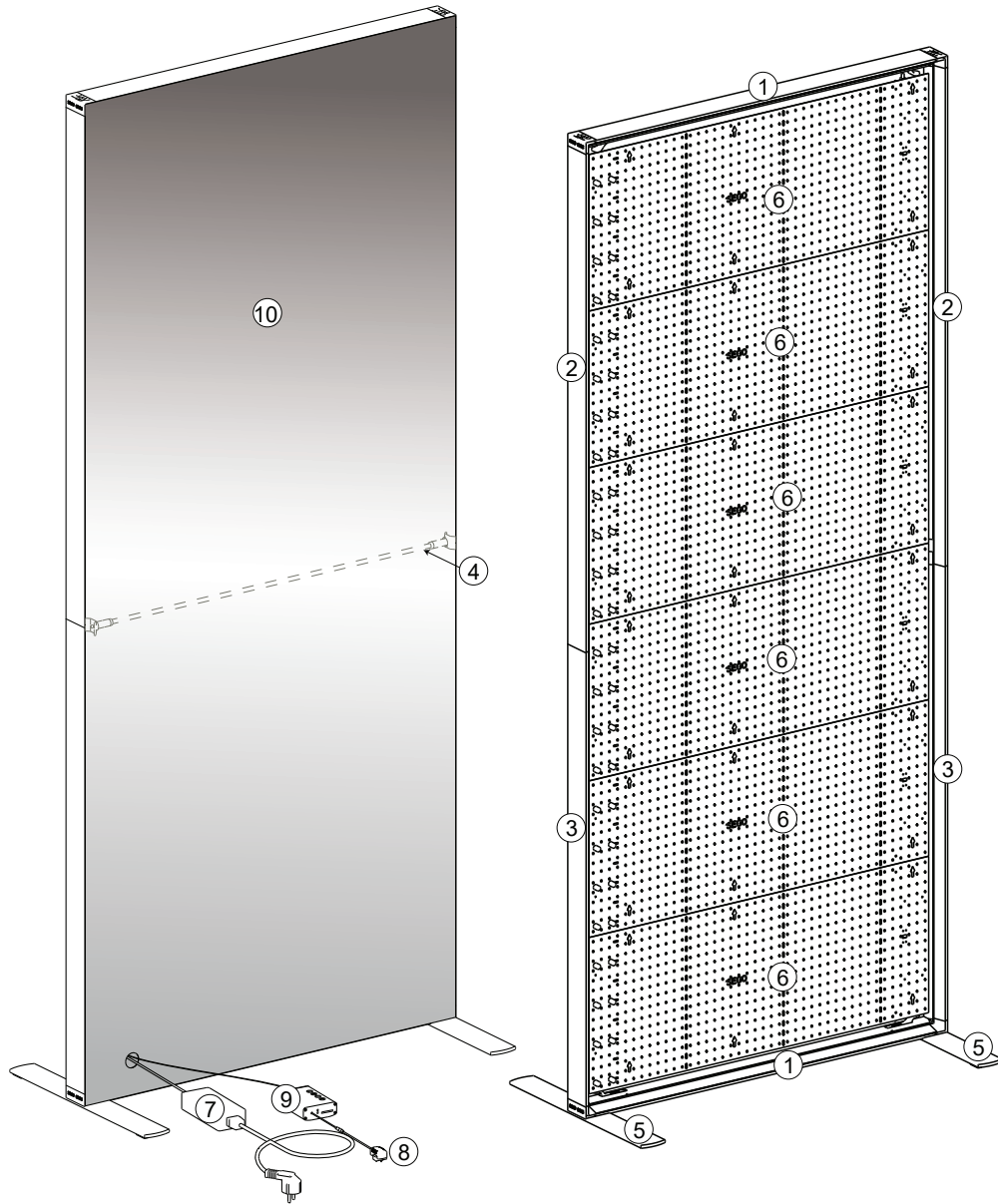


# Kinetic Dynamic Lightbox



Setup Manual

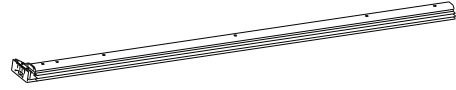


Back side

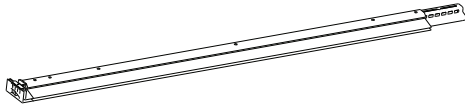
Front side



① Horizontal Profile x2



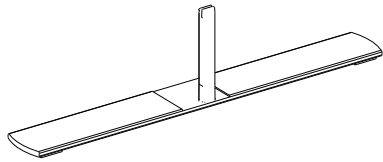
② Vertical Profile Top x2



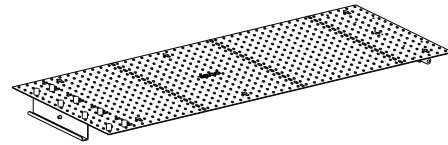
③ Vertical Profile Bottom x2



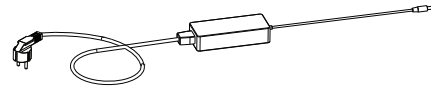
④ Mid Pole x1



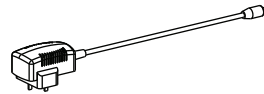
⑤ Foot x2



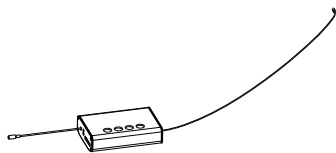
⑥ LED Board x6



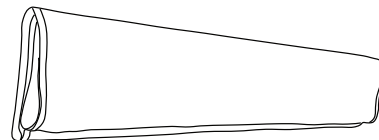
⑦ Transformer x1



⑧ Transformer for Controller x1



⑨ Controller with SD card x1

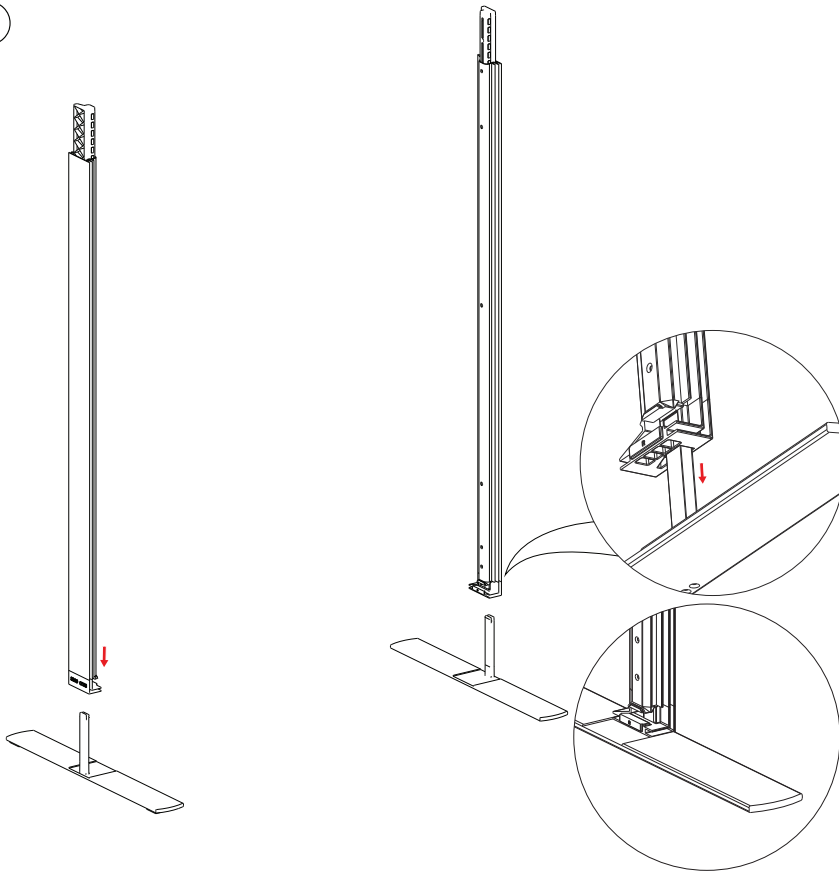


⑩ Back Fabric Panel x1

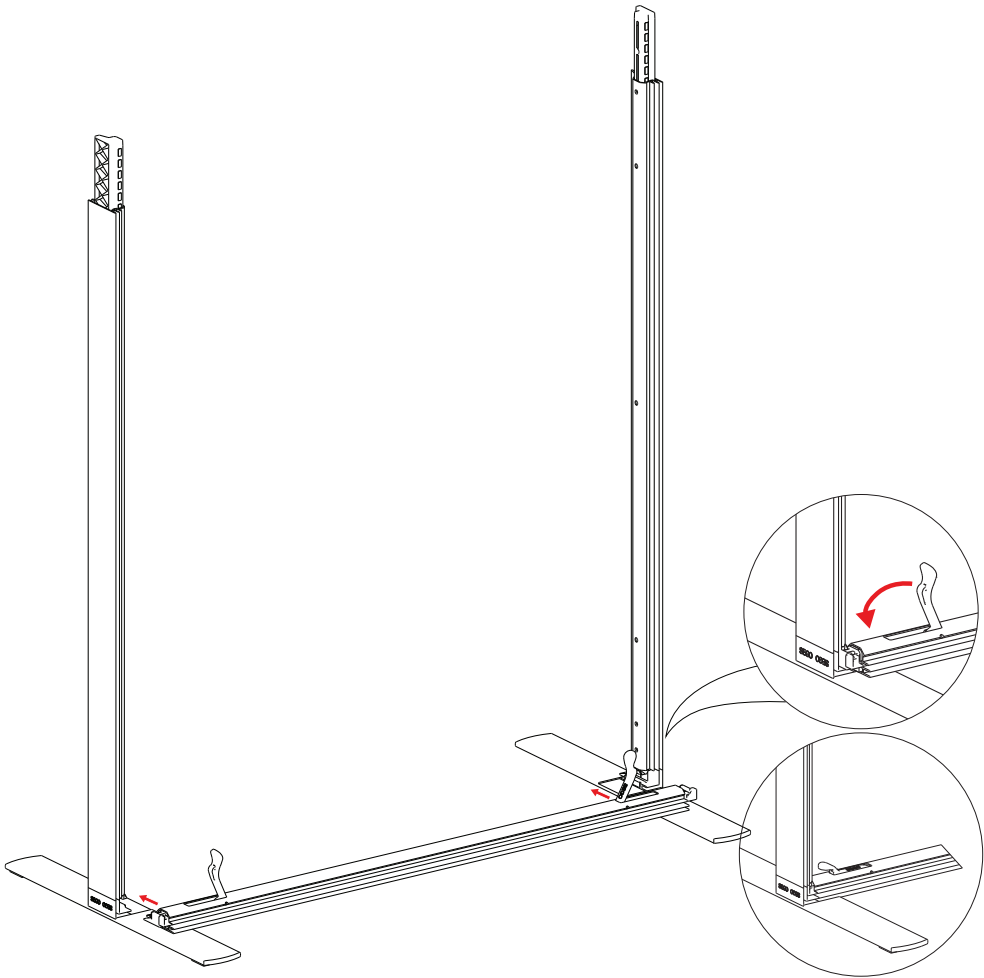
①



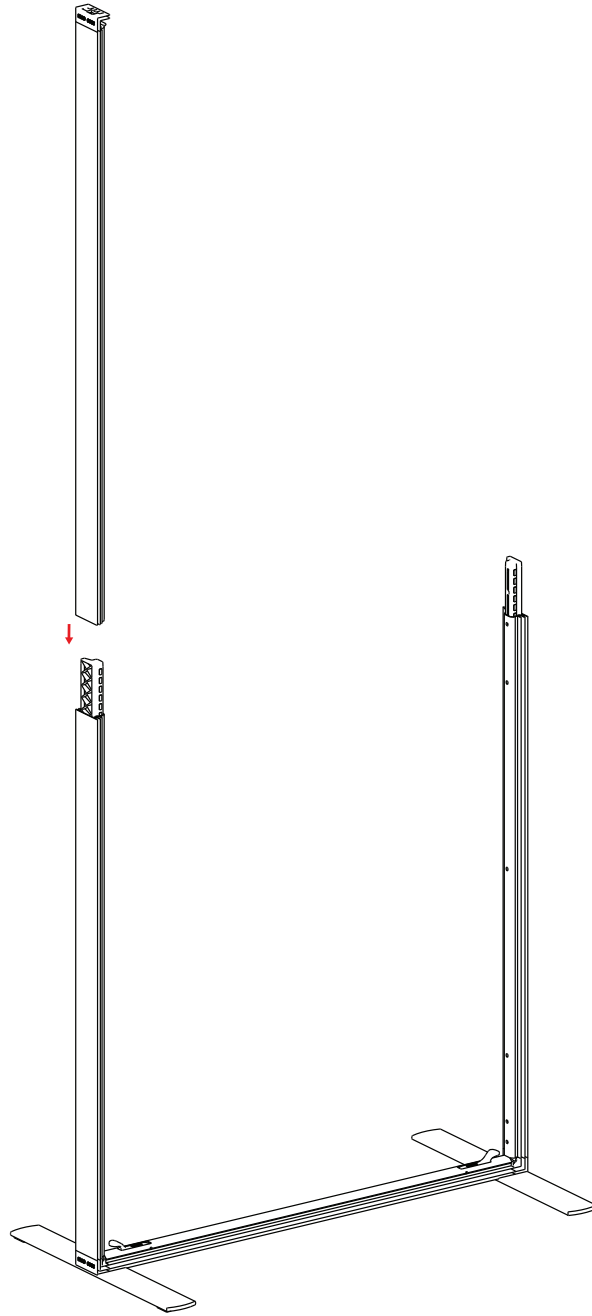
②



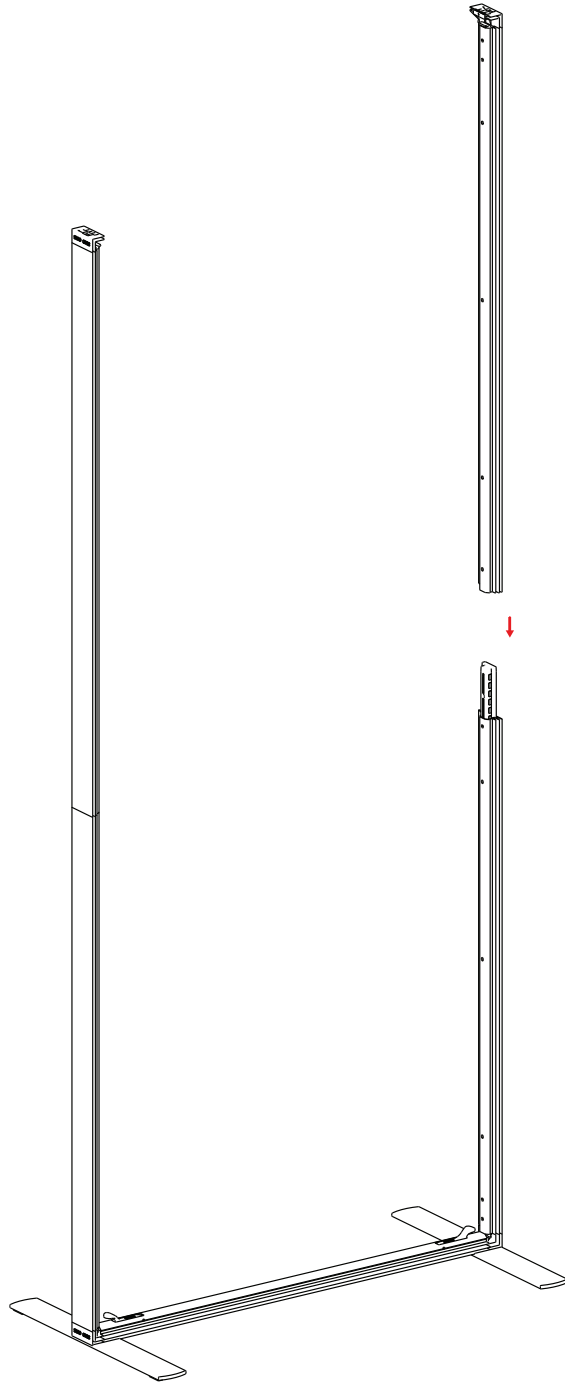
③



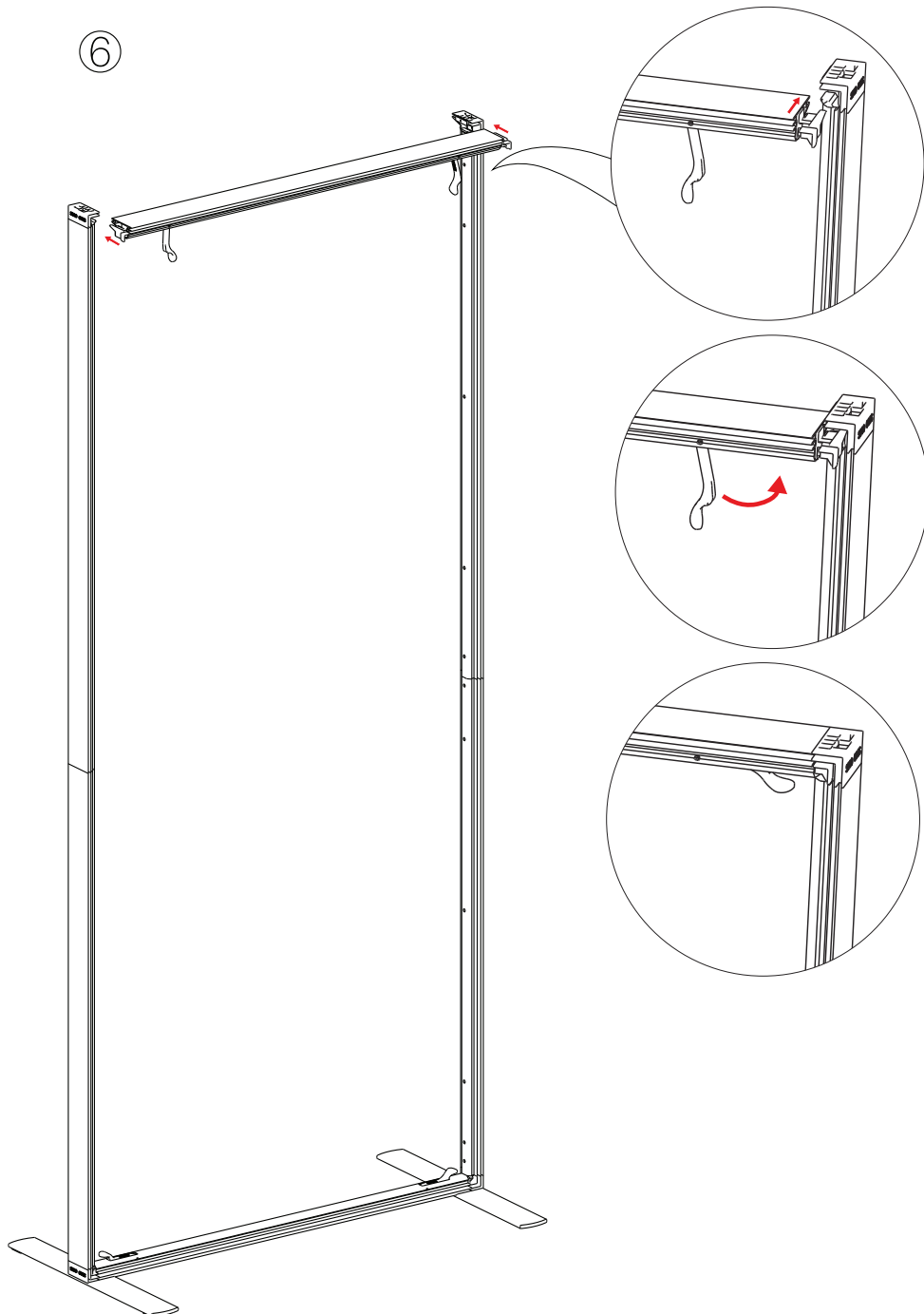
④



⑤

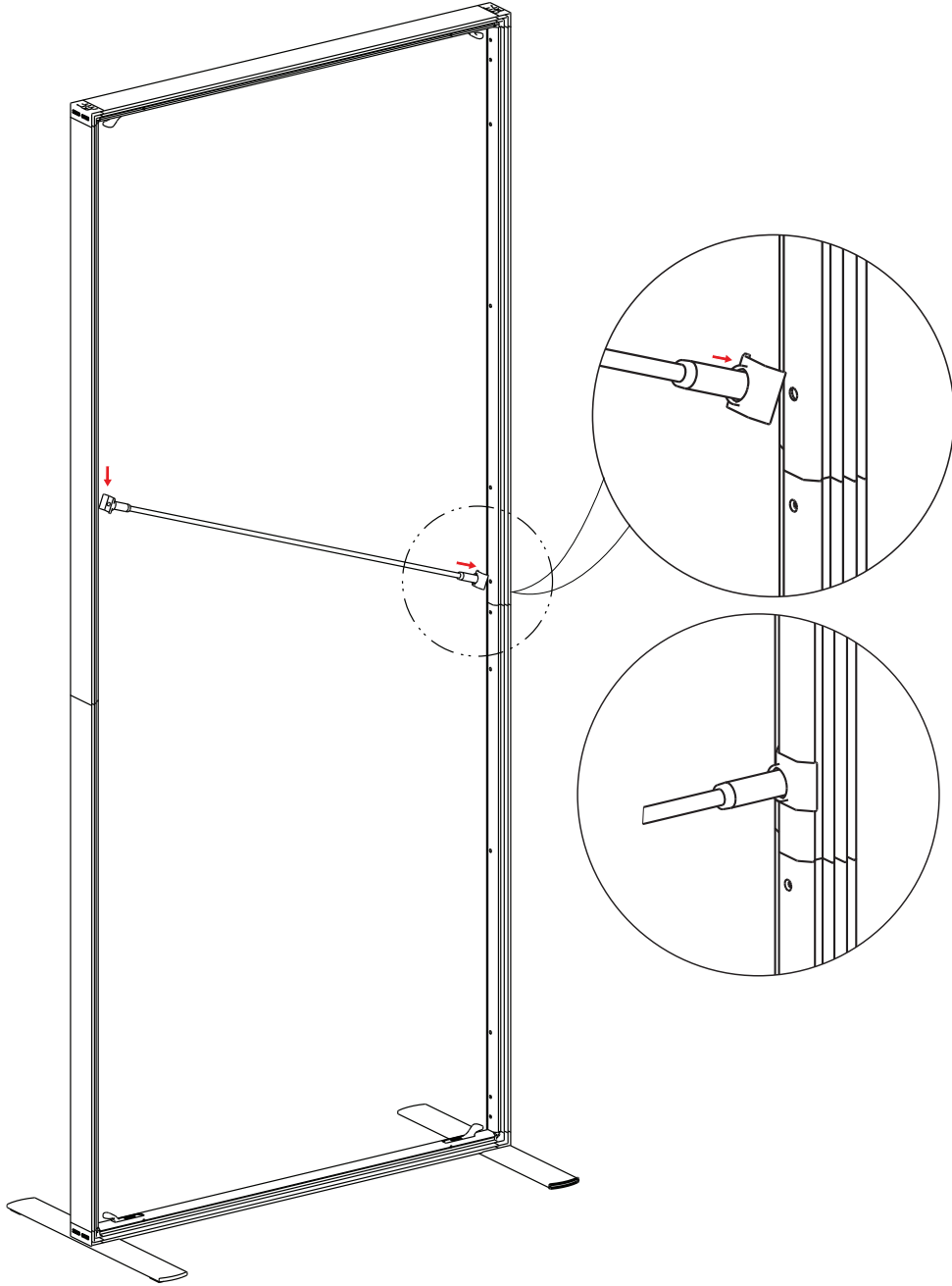


⑥

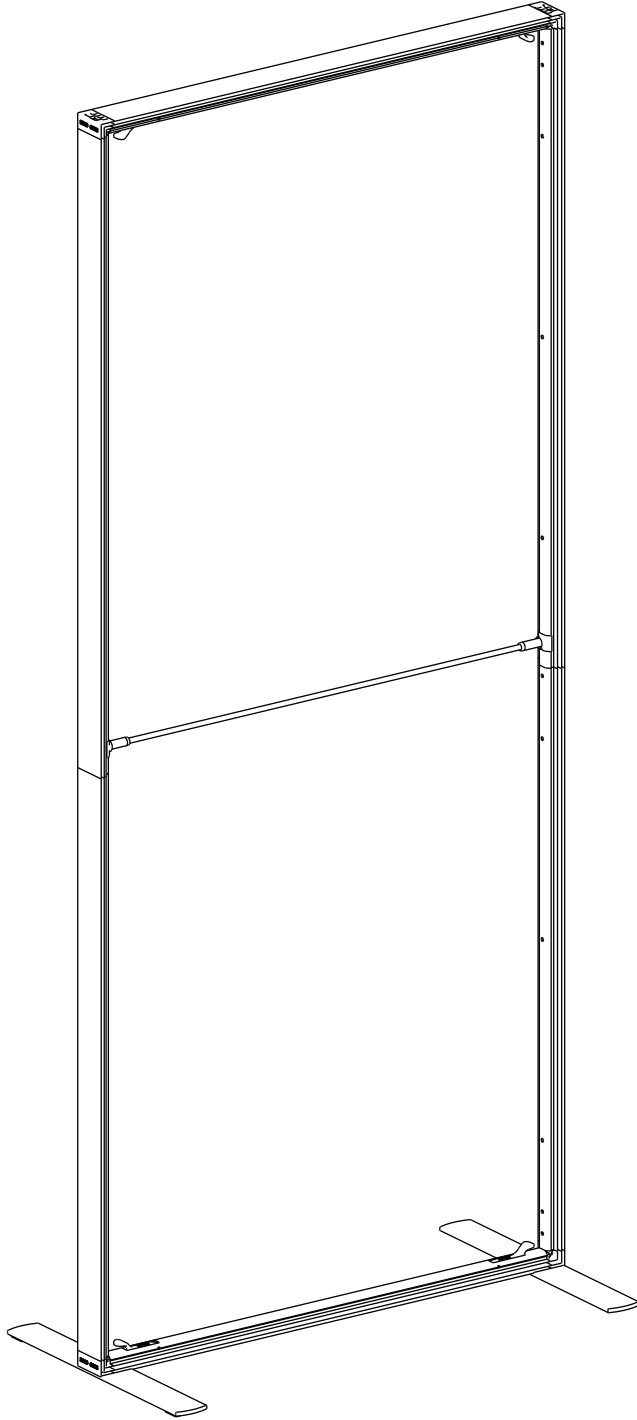




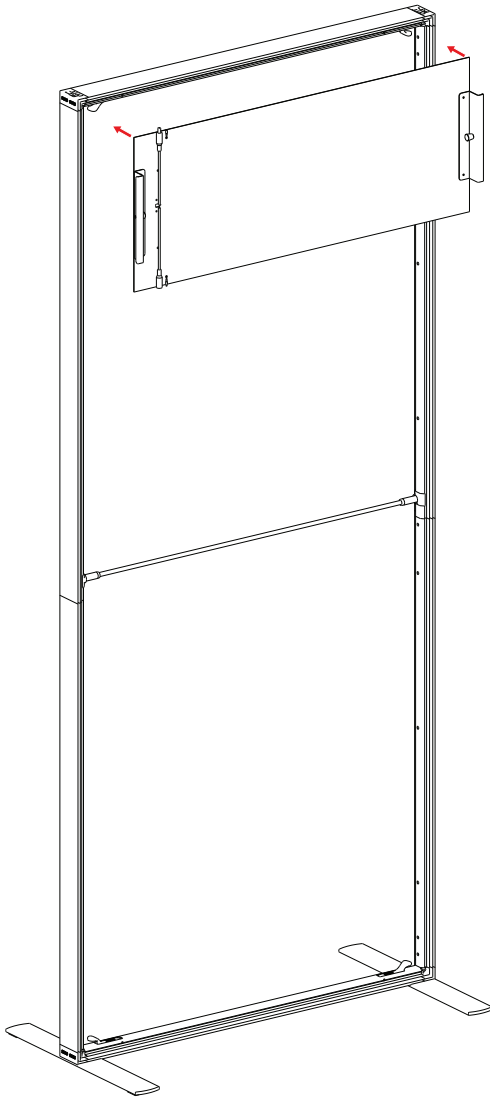
7



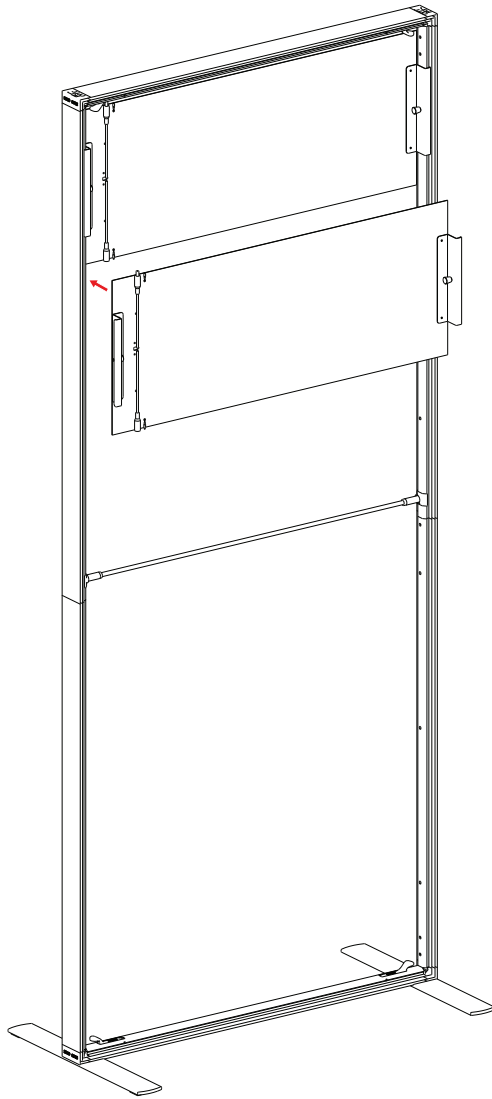
⑧



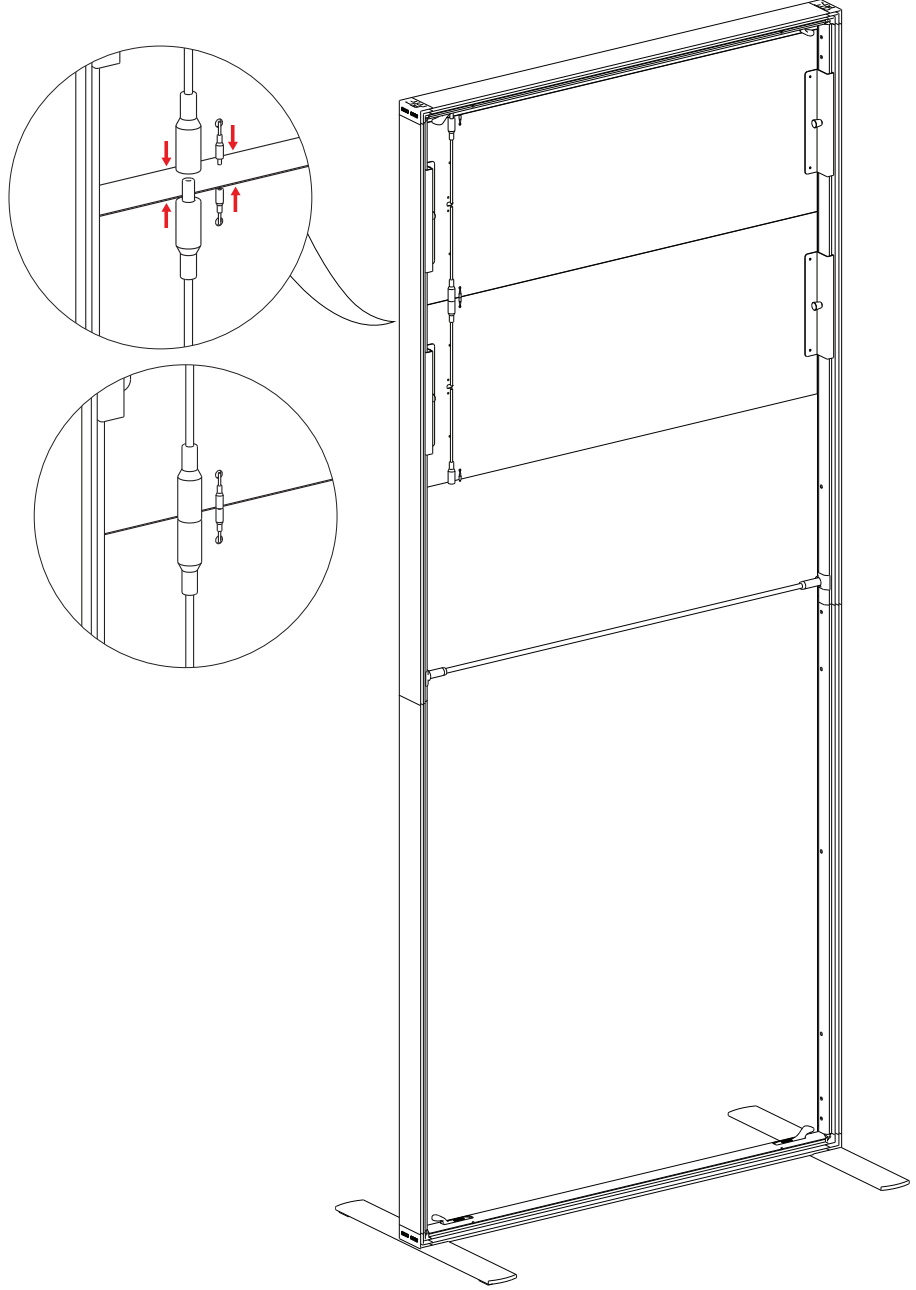
9



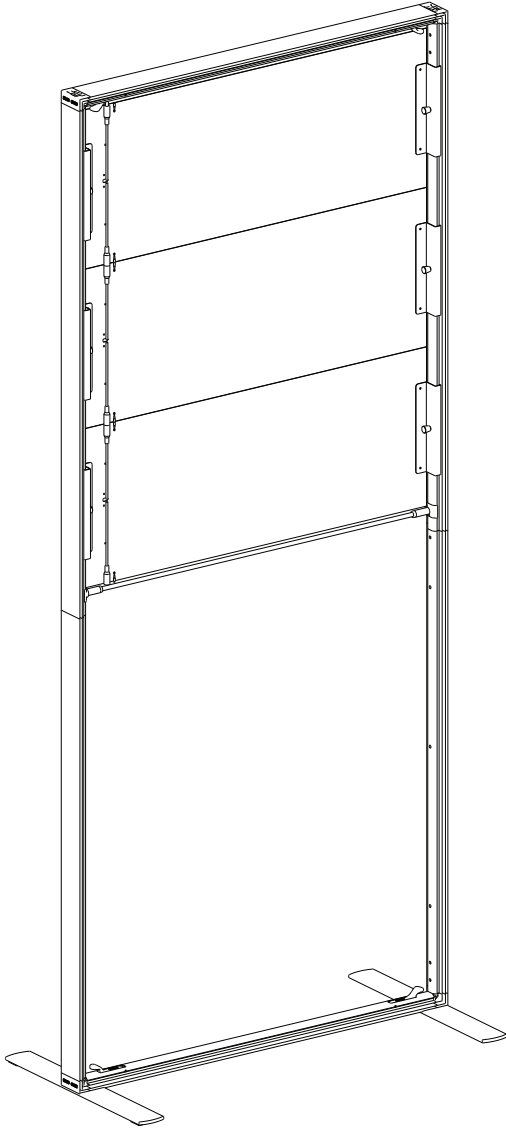
10



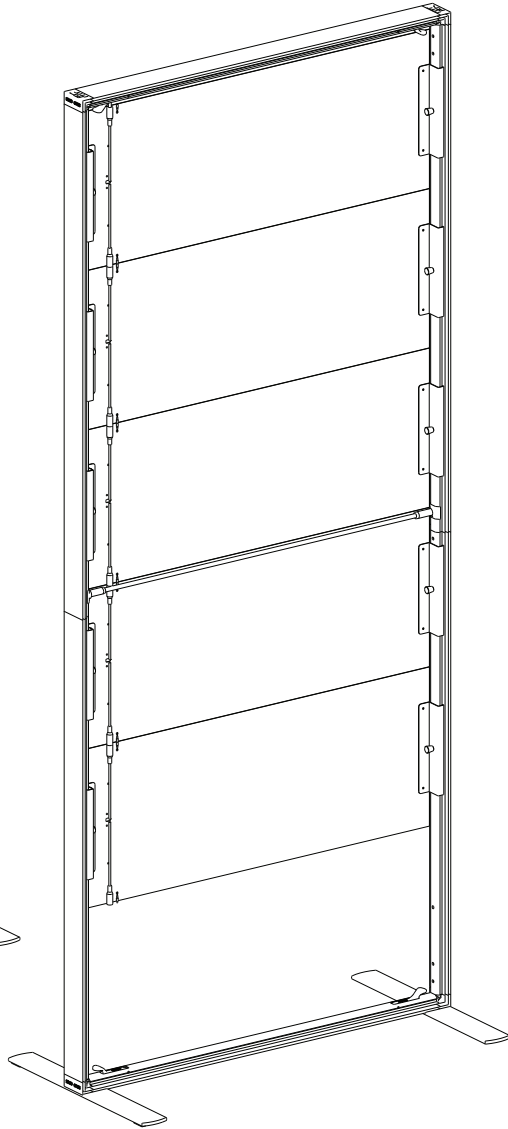
11



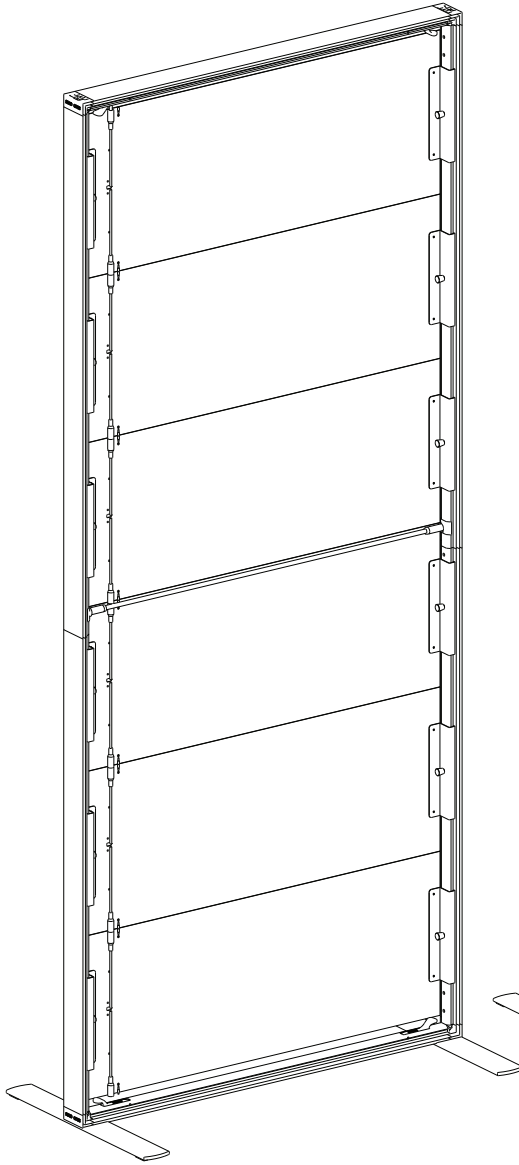
12



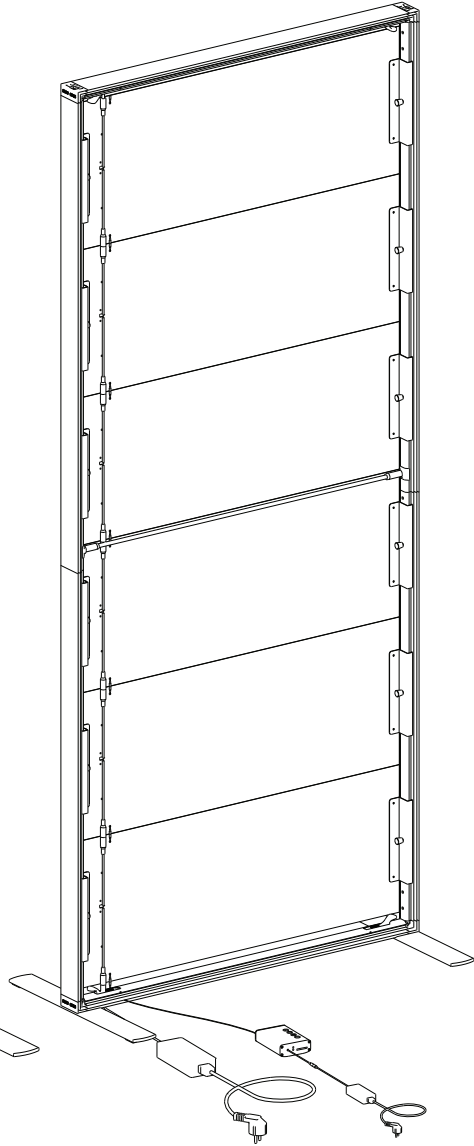
13



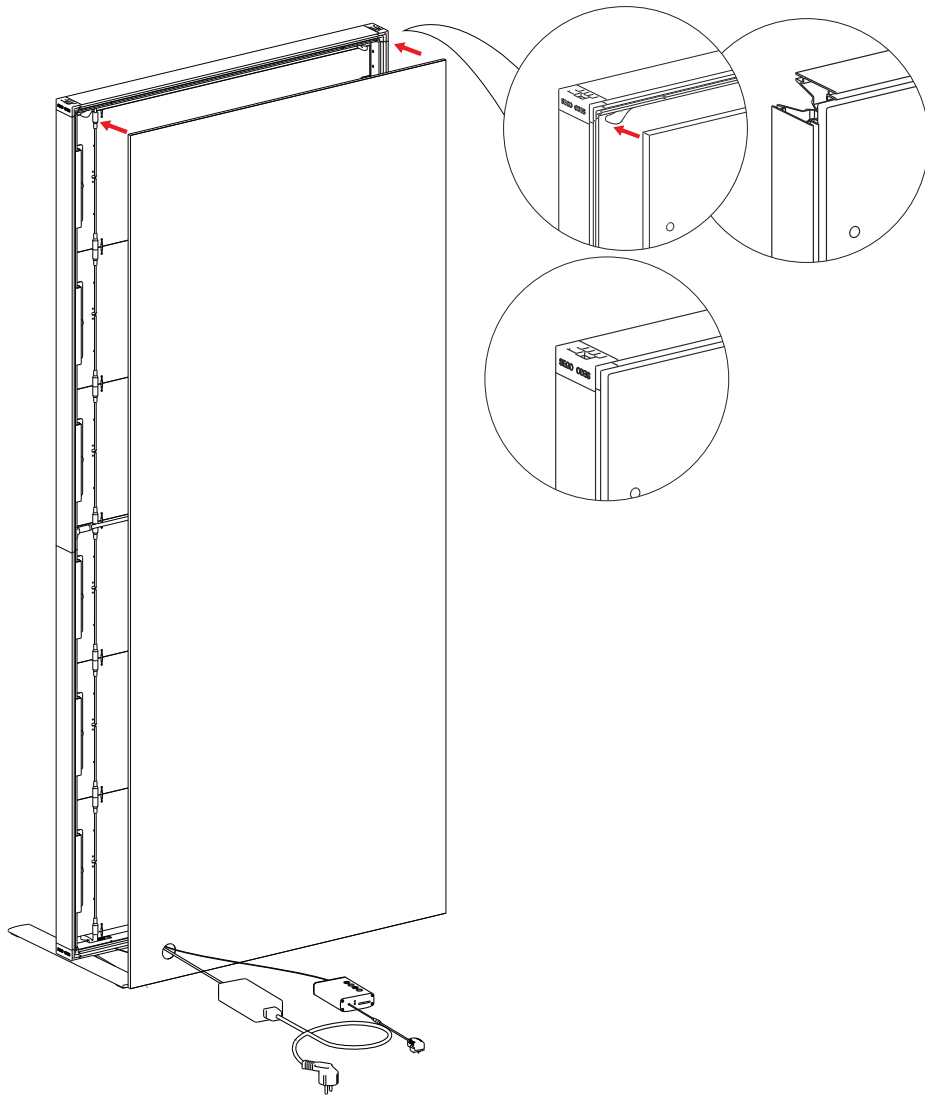
14



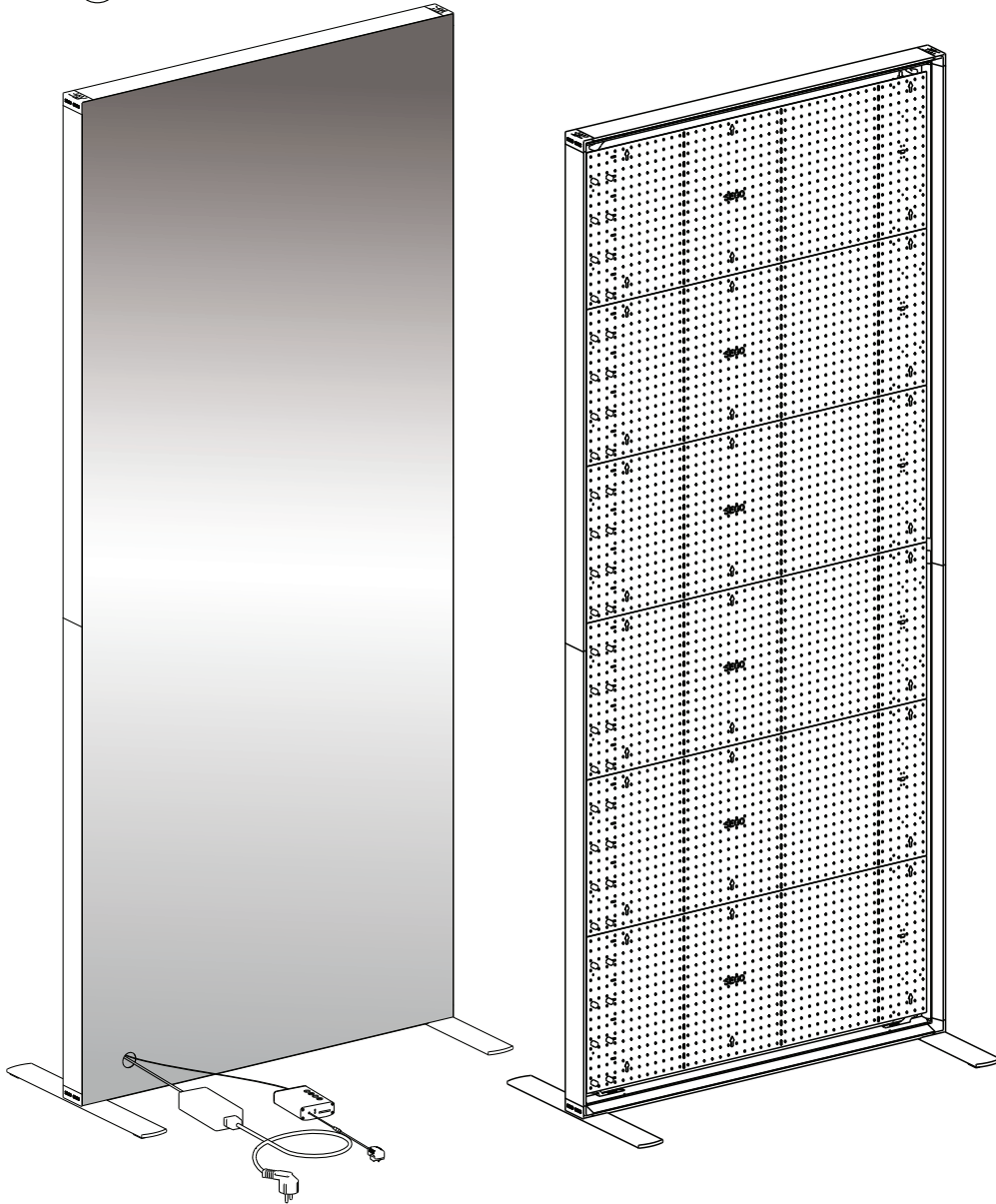
15



16



17





18

