

JOLLY EXHIBIT

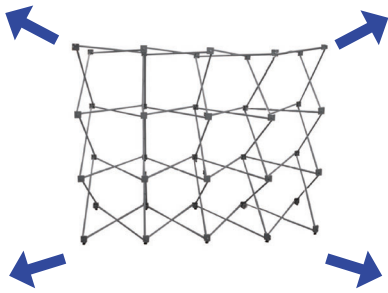
10 W x 7.5 H PRODUCT CODE: JOLLYD

SET UP INSTRUCTIONS

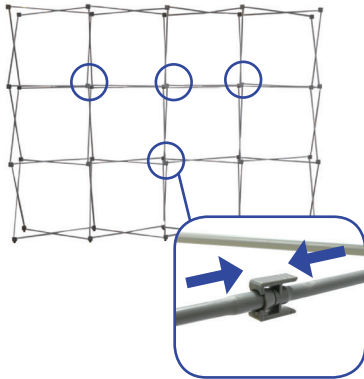
1. SET UP POP UP FRAME



A. Place frame with the adjustable feet facing down.

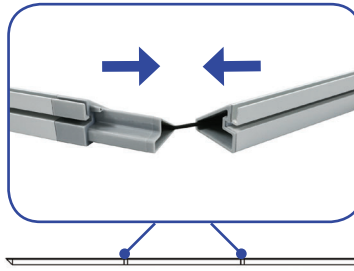


B. Expand the frame

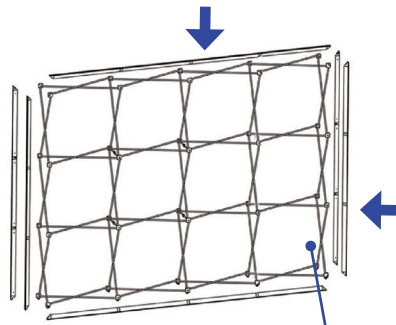


C. Close frame by pushing the outside of the frame until male and female ends connect.

2. INSERT CHANNEL BARS



A. Expand each channel bar. Follow bungee to connect.



B. Attach channel bars to frame.

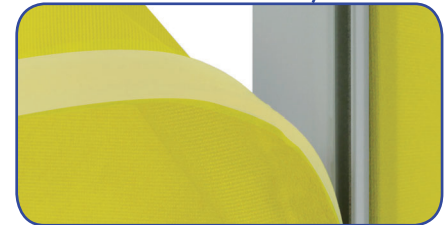
C. Slide channels bars onto frame, from top to bottom, then secure onto metal peg.



D. Attach the top and bottom endcaps on each side of the frame.

3. INSTALL GRAPHIC

A. In each corner, insert the silicone edge beading into the groove.



B. Then insert the remainder of the beading.



C. Repeat graphic installation on the end caps.

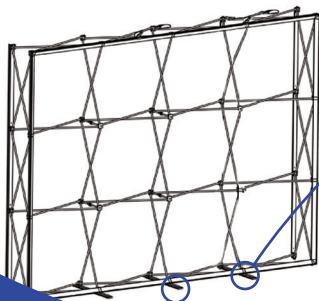
OPTIONAL ACCESSORIES



Scan For JOLLY Video Set Up

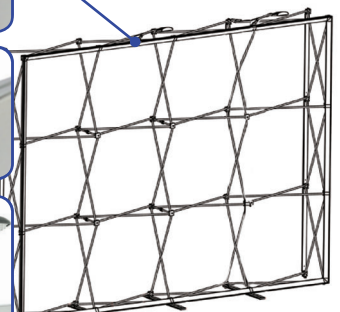
Stabilized Feet:

A. From the back, lift frame and insert adjustable feet onto stabilized feet. Then slide stabilized feet toward and insert onto the adjustable feet.



Light Bracket:

A. Snap the LED Light Bracket on top of the frame. Then slide the LED Light onto the bracket.



JOLLY EXHIBIT

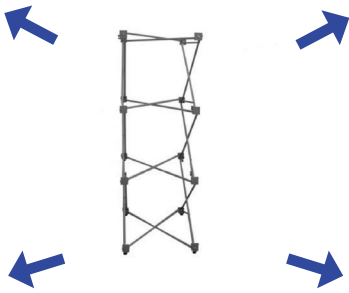
2.5 W x 7.5 H PRODUCT CODE: JOLLYD

SET UP INSTRUCTIONS

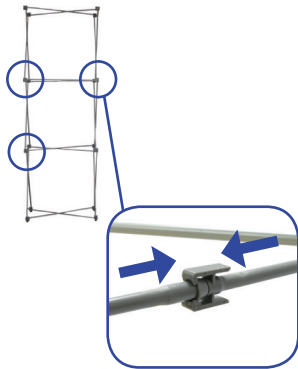
1. SET UP POP UP FRAME



A. Place frame with the adjustable feet facing down.

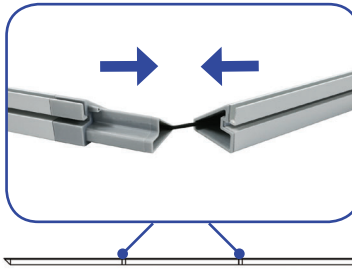


B. Expand the frame



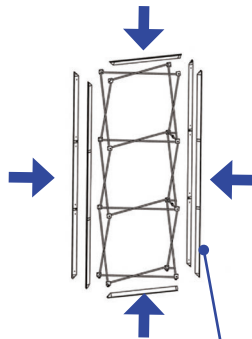
C. Close frame by pushing the outside of the frame until male and female ends connect.

2. INSERT CHANNEL BARS



A. Expand each channel bar. Follow bungee to connect.

B. Attach channel bars to frame.



C. Slide channels bars onto frame, from top to bottom, then secure onto metal peg.



D. Attach the top and bottom endcaps on each side of the frame.

3. INSTALL GRAPHIC

A. In each corner, insert the silicone edge beading into the groove.



B. Then insert the remainder of the beading.



C. Repeat graphic installation on the end caps.

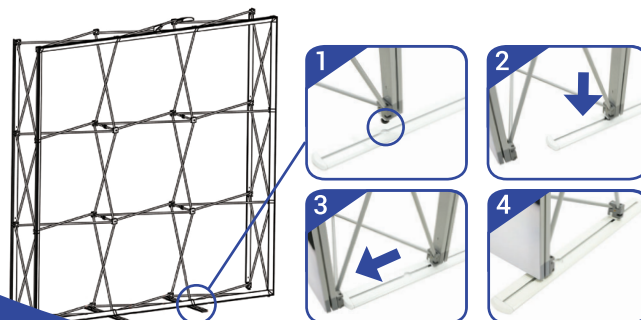
OPTIONAL ACCESSORIES



Scan For JOLLY Video Set Up

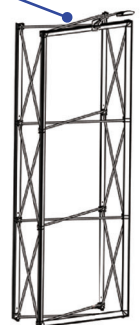
Stabilized Feet:

A. From the back, lift frame and insert adjustable feet onto stabilized feet. Then slide stabilized feet toward and insert onto the adjustable feet.



Light Bracket:

A. Snap the LED Light Bracket on top of the frame. Then slide the LED Light onto the bracket.



1. SET UP POP UP FRAME



A. Place frame with the adjustable feet facing down.

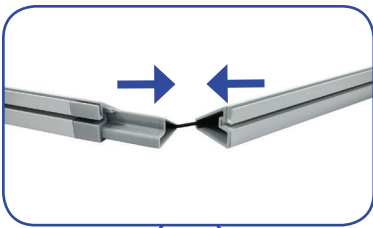


B. Expand the frame

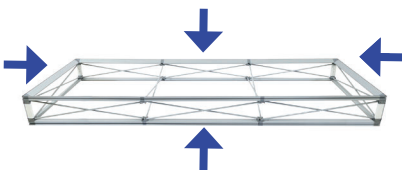


C. Slightly expand the frame again to set up the Channel Bar connection.

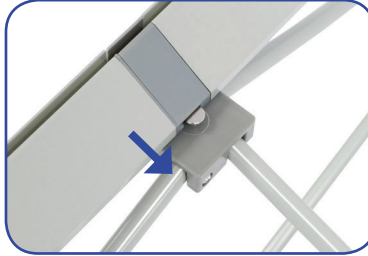
2. INSERT CHANNEL BARS



A. Expand each Channel Bars. Follow bungee to connect.



B. Attach channel bars to frame.

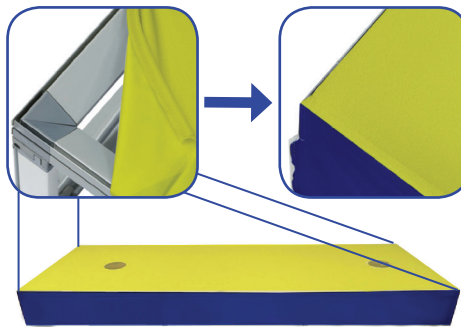


C. Slide Channels Bars onto the frame, from top to bottom, then secure onto metal peg.

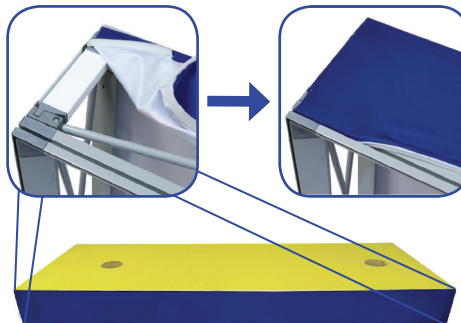


D. Attach the End Cap Channel Bars on each side of the frame.

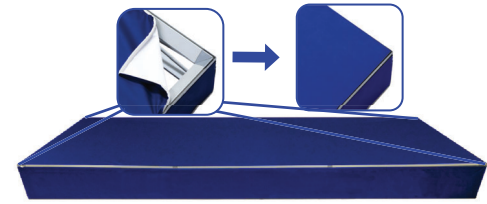
3. INSTALL GRAPHICS



A. In each corner, insert the silicone edge beading into the groove.

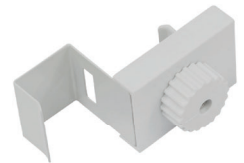


B. Install the end cap graphics on each side of the frame. Then insert the remainder of the beading.

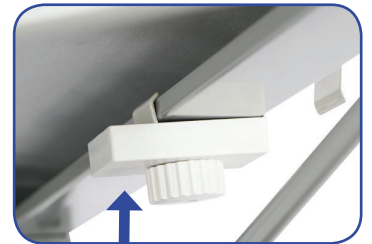


D. Flip the frame over. In each corner, insert the silicone edge beading into the groove.

4. CONNECT BRIDGE CONNECTORS TO FRAME



A. Use Bridge Connectors for Bridge frame.



B. Place the connector onto the upper section of the Channel Bar.

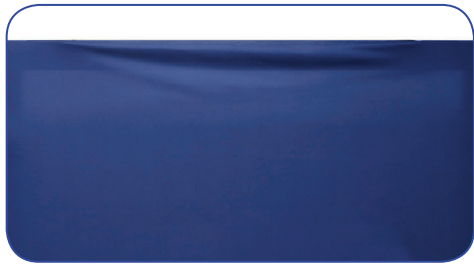


C. Turn the dial to the right to lock the connector.

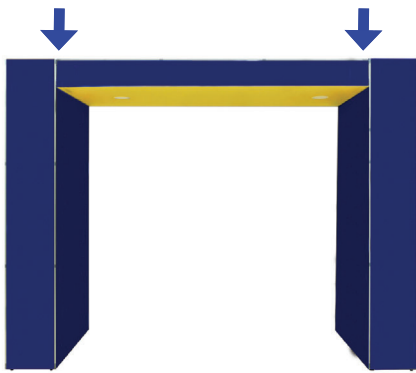


D. Repeat for the other connectors and other end of frame. Make sure each connectors are spread apart.

5. BUILD ARCH



A. Before connecting the Bridge onto each side of the displays, partially remove both of the top graphics of the displays.



B. In order to build the arch, the displays must be evenly parallel and distant from each other. Make sure there is enough room to install the bridge.

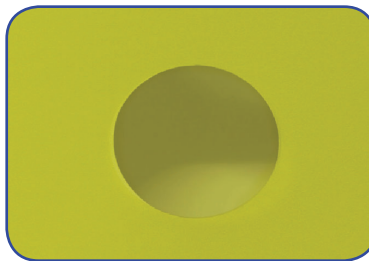


C. Place the Bridge on top of the distant displays by sliding onto the Channel Bars of both frames with the Bridge Connectors. Check each side of the displays that are evenly flushed together.

6. INSERT CEILING LED PANEL LIGHTS



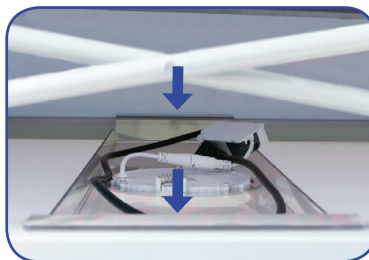
A. Connect the LED Driver cord and the top Ceiling LED Panel Light cord together.



B. Locate the pre-cut holes.



C. Partially remove one side of the graphic end caps.



D. Then place the Ceiling LED Panel Light inside the Bridge frame. On each side of the Ceiling Light panels, placed them on top of the Channel Bars at each end. Repeat for other LED Panel Light.

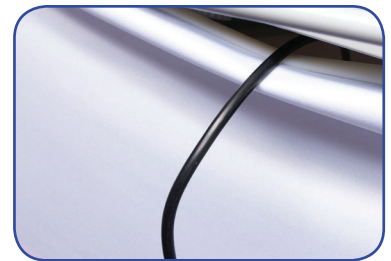
7. INSERT CEILING LIGHTS (CONTINUING)



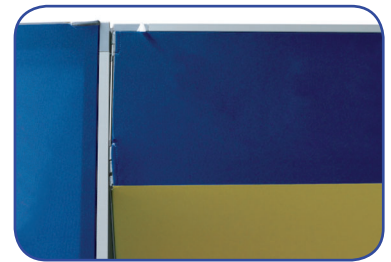
E. Make sure the Ceiling Light is centered and aligned with the pre-cut hole.



F. Insert the LED Driver power cord in the open loose top graphic.



G. Pull out the end of the power cord from the backside of the frame.

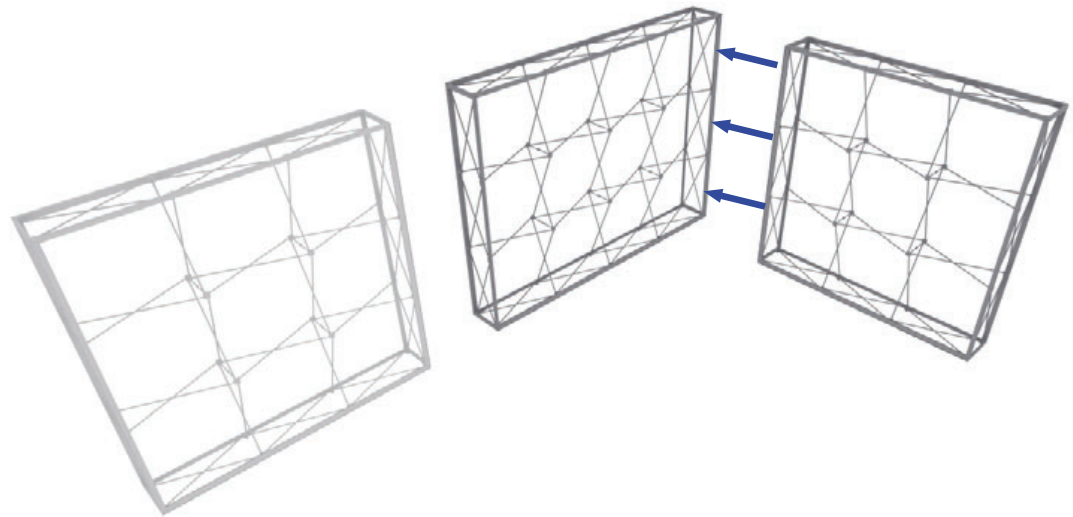
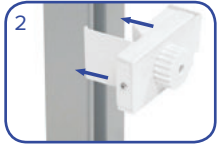


H. Install the end cap graphics. Lumiere Bridge is complete.

NOTE: Extension power cord is needed to plug the LED Driver power cord (Extension Cord NOT included in package).

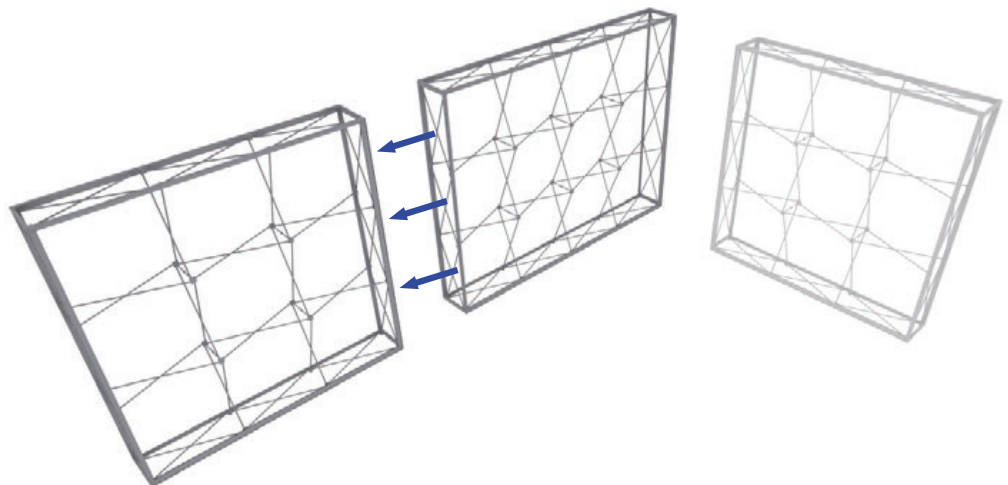
L LINK CONNECTION (RETURN WALL)

Adjoin the 3x3 and 4x3 frames at a 90° angle. Starting from behind, pull the 4x3 graphic away to make space for the L Connector. Place the L Connector onto the channel bars of both frames. Turn the dial to the left to lock the L Connector into place. Repeat for each vertical section (3 total).



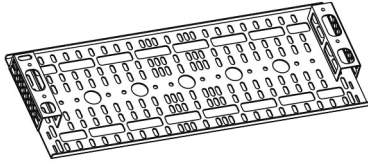
STRAIGHT CONNECTION (SIDE EXTENSION)

Adjoin both 3x3 and 4x3 frames, side by side. Place a straight connector directly in the middle (outside channel bar of each frame) of both frames. Turn the dial to the left to lock in place. Repeat for front and back vertical sections (6 total).

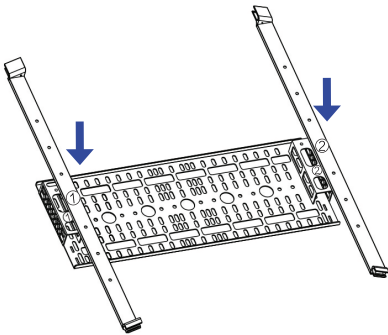


Note: Renderings shown without graphics for clarity.

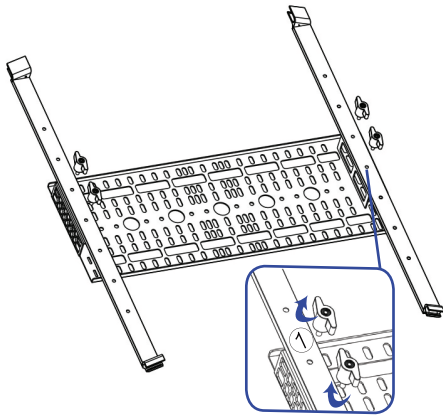
1. ASSEMBLE MONITOR MOUNT



- A.** Place mounting plate face down.

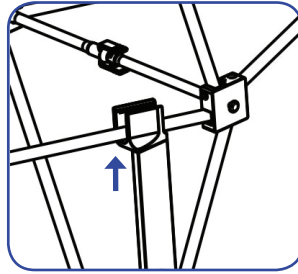


- B.** Place support struts in desired location on mount.
(Match #'s on struts with mounting plate. Struts are also marked top & bottom)

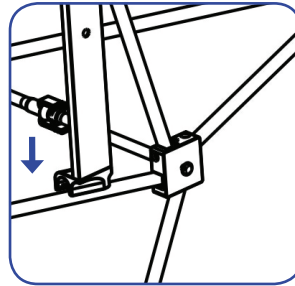


- C.** Attach support struts with the supplied wing nuts.

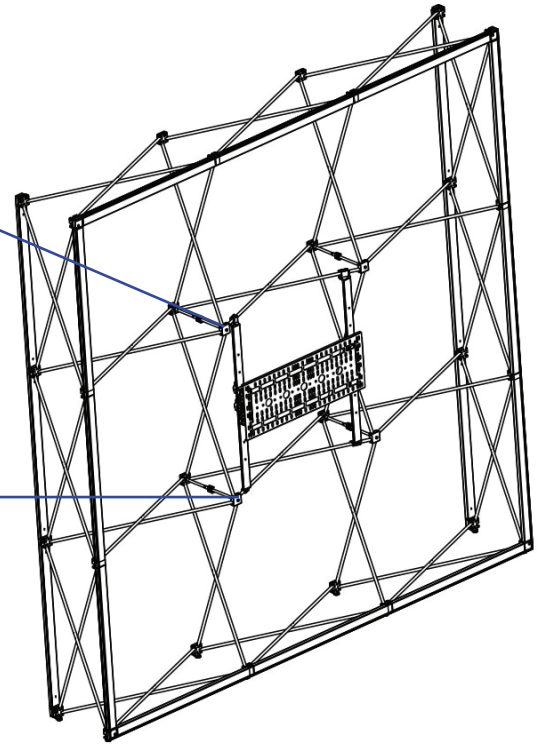
2. INSTALLATION ON FRAME



- A.** Slide top brackets onto X bars on frame.



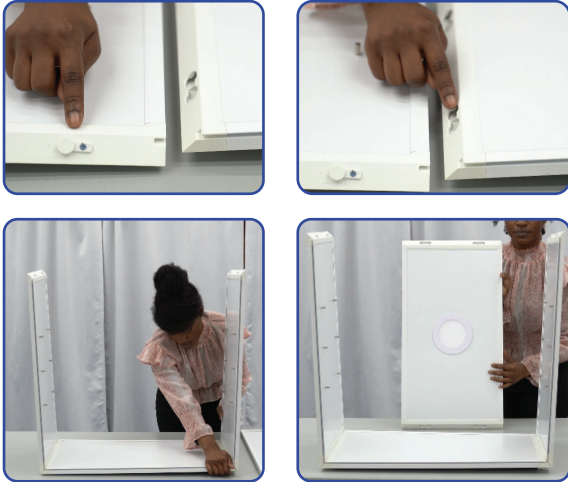
- B.** Rest bottom brackets on bottom X bars on frame.



Mount Zoom-ins

*If installing on backlit frame, place monitor mount on backside of the display (opposite side the lights are mounted on)

1. ASSEMBLE SHELF BOX



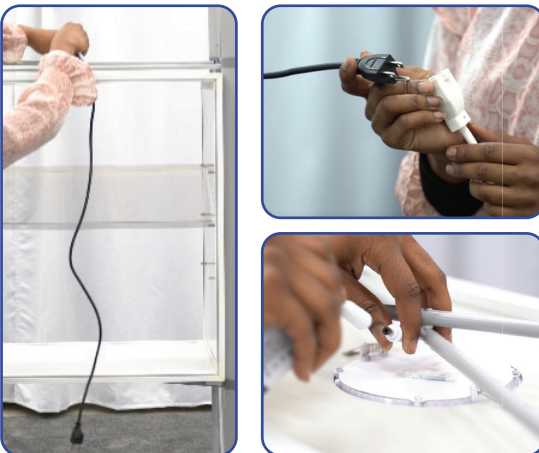
A. Assemble the Showcase Shelf by itself on a flat surface.



B. Place the transparent shelving in desired angle and place.



A. Carefully place shelf on desired frame, fit on top of tubes with bottom box handle



B. Connect wiring to shelf for light display.

2. PLACE AND CONNECT

