

JOLLY EXHIBIT

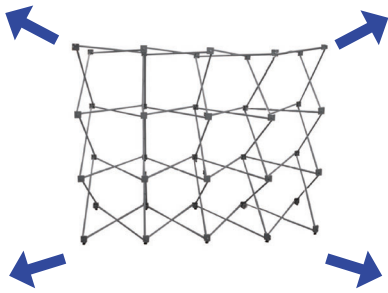
10 W x 7.5 H PRODUCT CODE: JOLLYF

SET UP INSTRUCTIONS

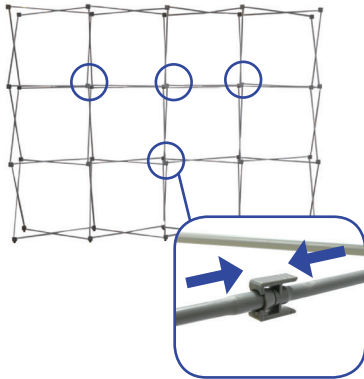
1. SET UP POP UP FRAME



A. Place frame with the adjustable feet facing down.

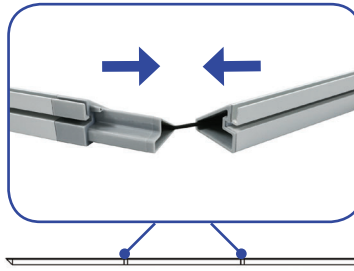


B. Expand the frame

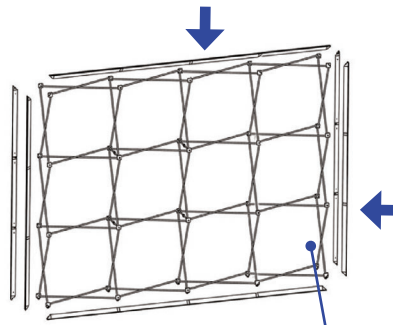


C. Close frame by pushing the outside of the frame until male and female ends connect.

2. INSERT CHANNEL BARS



A. Expand each channel bar. Follow bungee to connect.



B. Attach channel bars to frame.

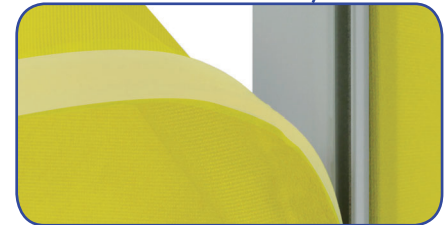
C. Slide channels bars onto frame, from top to bottom, then secure onto metal peg.



D. Attach the top and bottom endcaps on each side of the frame.

3. INSTALL GRAPHIC

A. In each corner, insert the silicone edge beading into the groove.



B. Then insert the remainder of the beading.



C. Repeat graphic installation on the end caps.

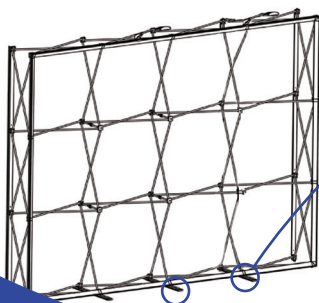
OPTIONAL ACCESSORIES



Scan For JOLLY Video Set Up

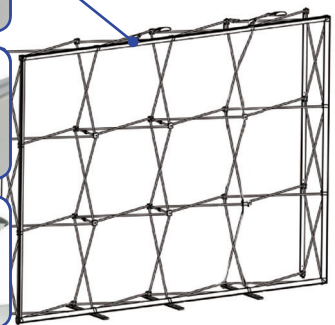
Stabilized Feet:

A. From the back, lift frame and insert adjustable feet onto stabilized feet. Then slide stabilized feet toward and insert onto the adjustable feet.



Light Bracket:

A. Snap the LED Light Bracket on top of the frame. Then slide the LED Light onto the bracket.



JOLLY EXHIBIT

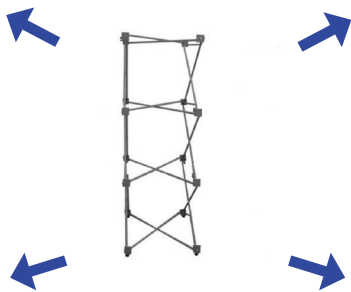
2.5 W x 7.5 H PRODUCT CODE: JOLLYF

SET UP INSTRUCTIONS

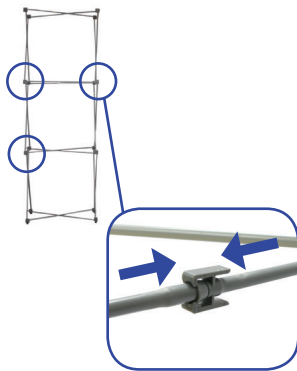
1. SET UP POP UP FRAME



A. Place frame with the adjustable feet facing down.

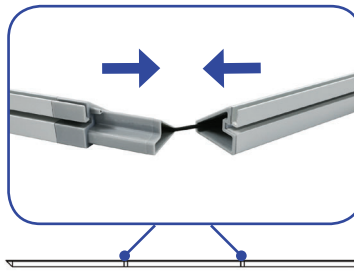


B. Expand the frame



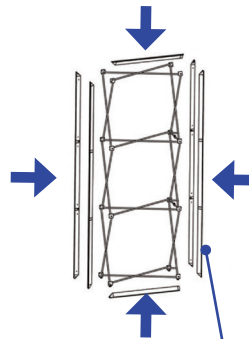
C. Close frame by pushing the outside of the frame until male and female ends connect.

2. INSERT CHANNEL BARS



A. Expand each channel bar. Follow bungee to connect.

B. Attach channel bars to frame.



C. Slide channels bars onto frame, from top to bottom, then secure onto metal peg.



D. Attach the top and bottom endcaps on each side of the frame.

3. INSTALL GRAPHIC

A. In each corner, insert the silicone edge beading into the groove.



B. Then insert the remainder of the beading.



C. Repeat graphic installation on the end caps.

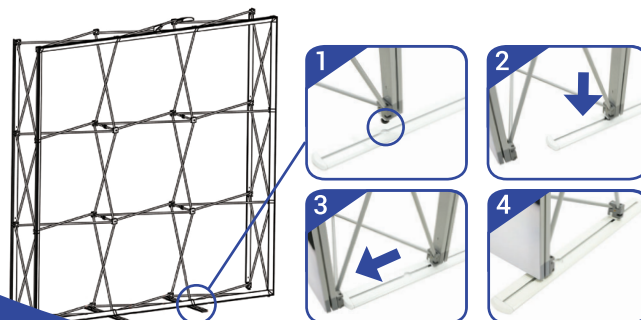
OPTIONAL ACCESSORIES



Scan For JOLLY Video Set Up

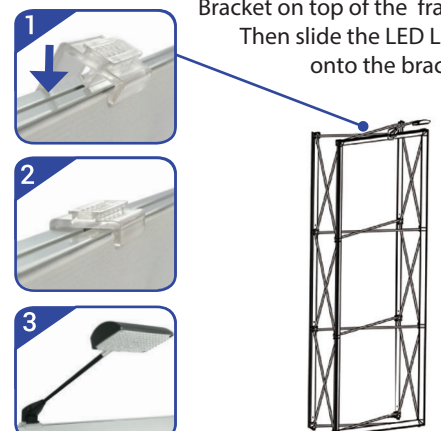
Stabilized Feet:

A. From the back, lift frame and insert adjustable feet onto stabilized feet. Then slide stabilized feet toward and insert onto the adjustable feet.



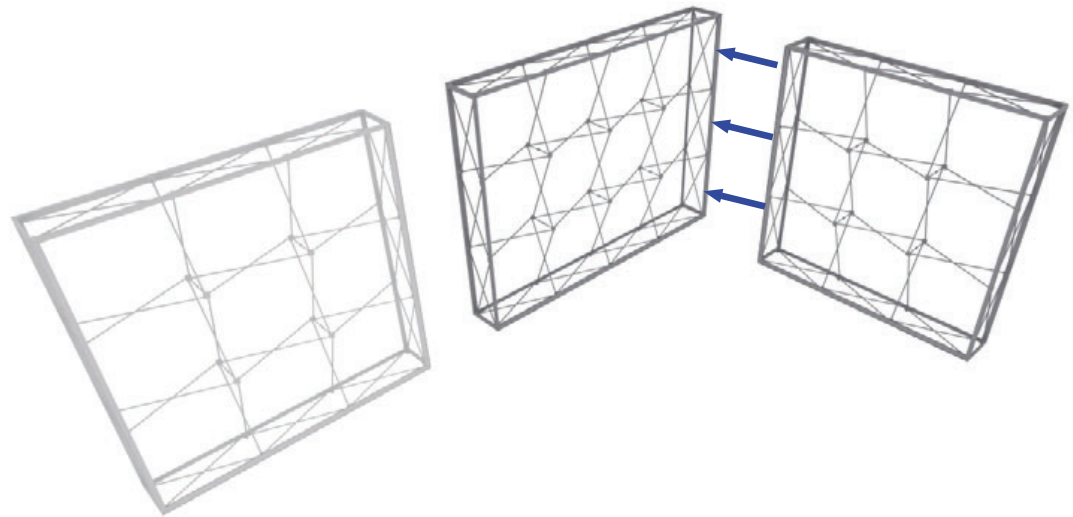
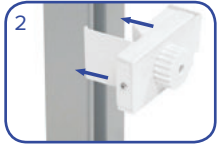
Light Bracket:

A. Snap the LED Light Bracket on top of the frame. Then slide the LED Light onto the bracket.



L LINK CONNECTION (RETURN WALL)

Adjoin the 3x3 and 4x3 frames at a 90° angle. Starting from behind, pull the 4x3 graphic away to make space for the L Connector. Place the L Connector onto the channel bars of both frames. Turn the dial to the left to lock the L Connector into place. Repeat for each vertical section (3 total).



STRAIGHT CONNECTION (SIDE EXTENSION)

Adjoin both 3x3 and 4x3 frames, side by side. Place a straight connector directly in the middle (outside channel bar of each frame) of both frames. Turn the dial to the left to lock in place. Repeat for front and back vertical sections (6 total).

