

# JOLLY SINGLE SIDED OUTDOOR BANNER STAND

OUTDOOR BANNERS  
PRODUCT CODE: JOB1

SINGLE  
SIDED

ADJUSTABLE

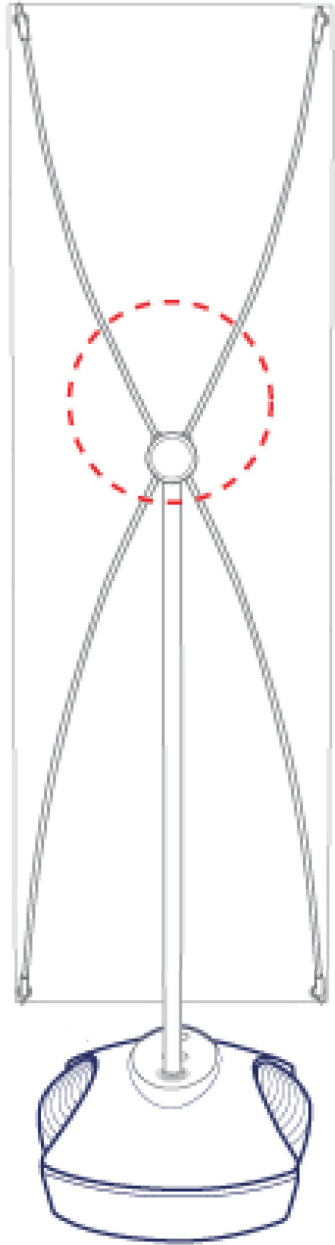
OUTDOOR  
USE

#2 Grommets

1  
YEAR  
On Frame

1  
YEAR  
On Graphic

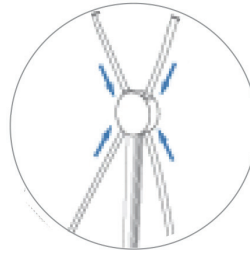
## SET UP INSTRUCTIONS



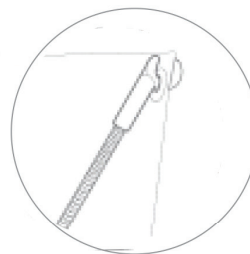
\* Fill base with water to add stability during outdoor use.



Insert support pole connector and support pole into hole on base



Insert top and bottom graphic arm poles into holes on support pole

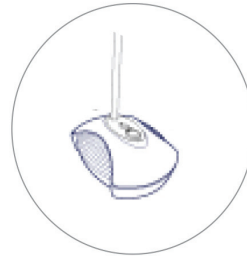
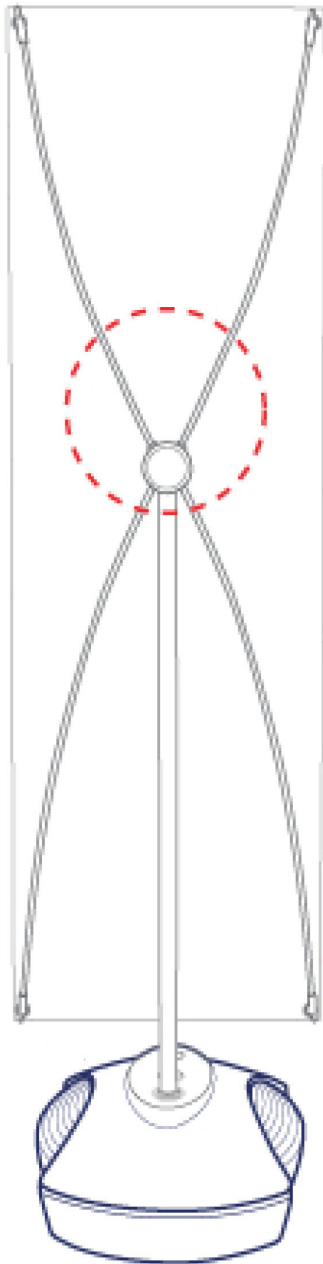


Attach eyelets of banner to hooks on ends of graphic arm poles

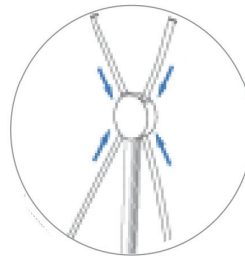


Hoist banner up to place adequate tension on the banner and press lever down to lock it into place

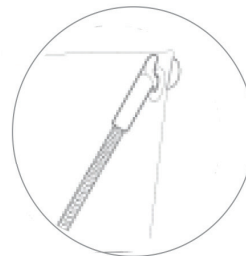
## SET UP INSTRUCTIONS



Insert support pole connector and support pole into hole on base



Insert top and bottom graphic arm poles into holes on support pole



Attach eyelets of banners to hooks on ends of graphic arm poles. Repeat for both banners.



Hoist banner up to place adequate tension on the banner and press lever down to lock it into place

\* Fill base with water to add stability during outdoor use.