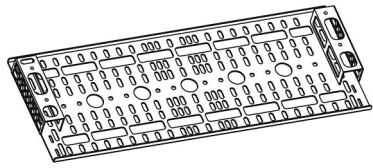
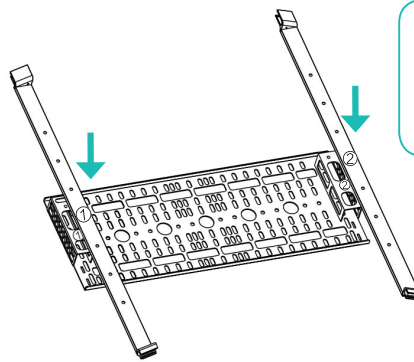


JOLLY MONITOR MOUNT INSTALL INSTRUCTIONS

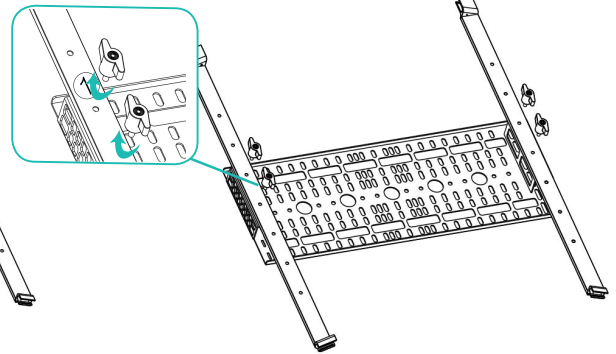
Assemble monitor mount



a. Place mounting plate face down.

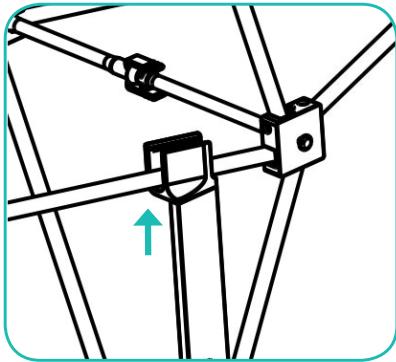


b. Place support struts in desired location on mount.
(Match #'s on struts with mounting plate. Struts are also marked top & bottom)

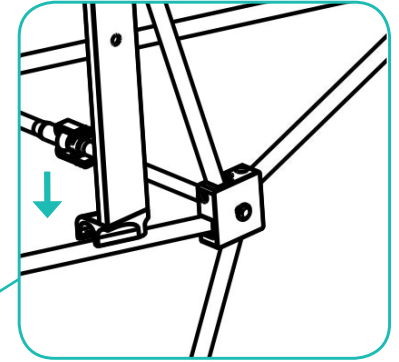
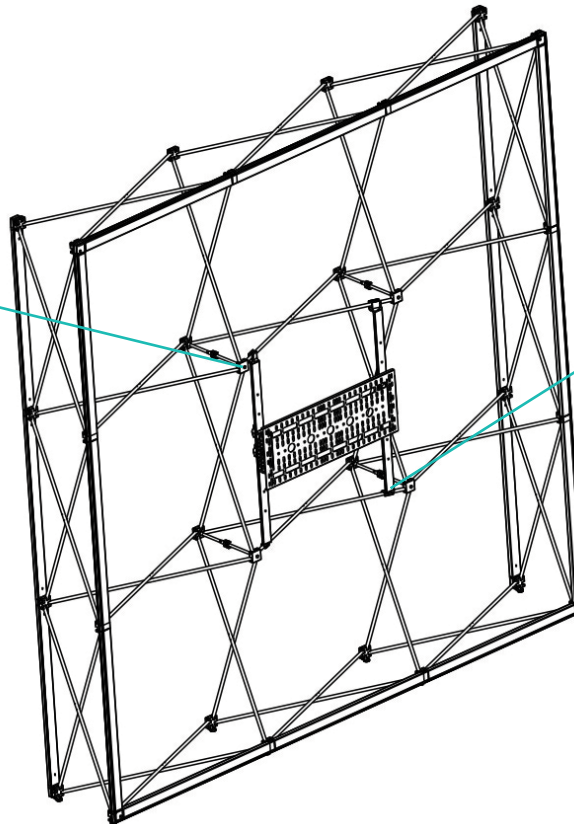


c. Attach support struts with the supplied wing nuts.

Installation on frame



a. Slide top brackets onto X bars on frame.



b. Rest bottom brackets on bottom X bars on frame.

*If installing on backlit frame, place monitor mount on backside of the display (opposite side the lights are mounted on)