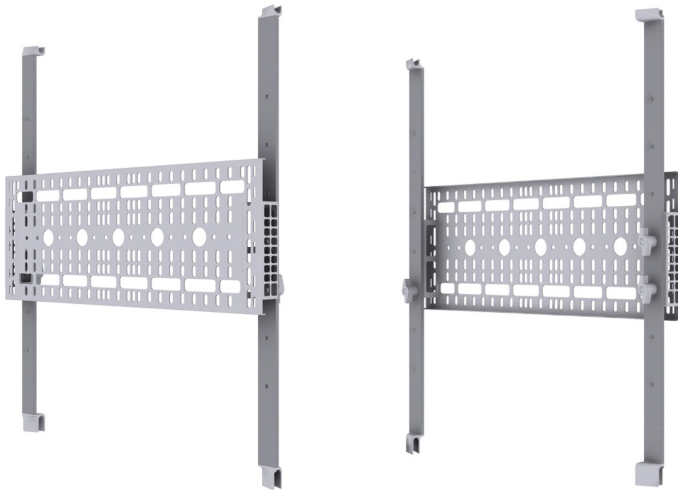
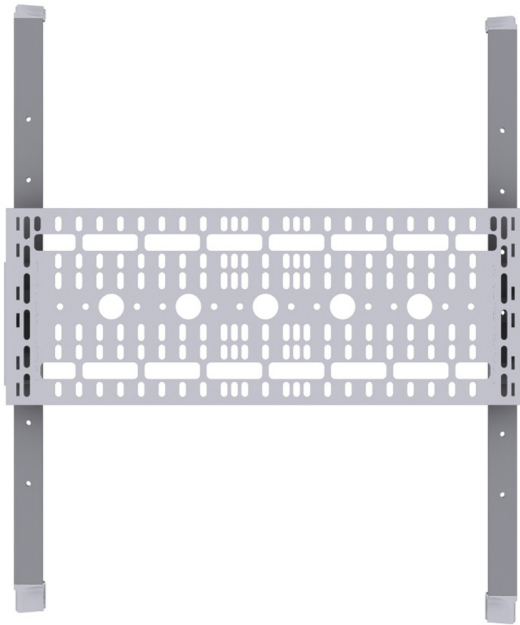


JOLLY LIGHT WALL® MONITOR MOUNT

JOLLY LIGHT WALL®

PRODUCT CODE: LLW-MM



PRODUCT DESCRIPTION

The Jolly Light Wall® monitor mount allows you to add a TV or monitor with bracket to your display. Simply install the monitor mount to your frame, skin the frame with graphics, attach monitor bracket to mount (graphics will need to be cut to attach monitor bracket to monitor mount) and mount your TV/Monitor to monitor bracket. Compatible with both non-backlit and backlit Jolly Light Wall® frames. Recommend TV and monitor sizes 24"-48". Maximum weight capacity 30lbs. Not compatible with other pop up displays. Monitor bracket and TV/monitor not included.

DISPLAY CONSTRUCTION

Steel mounting plate with aluminum struts & plastic connectors

SHIPPING WEIGHTS & DIMENSIONS

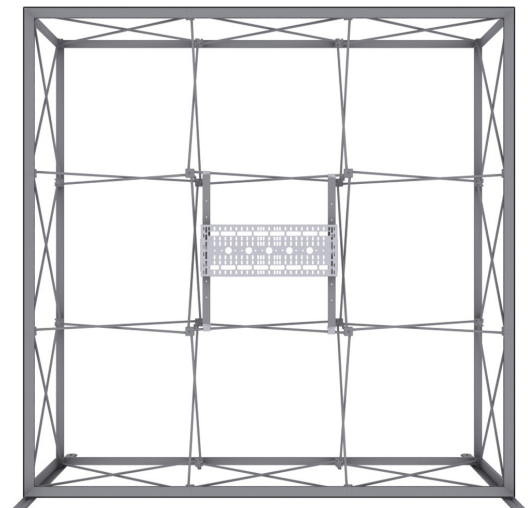
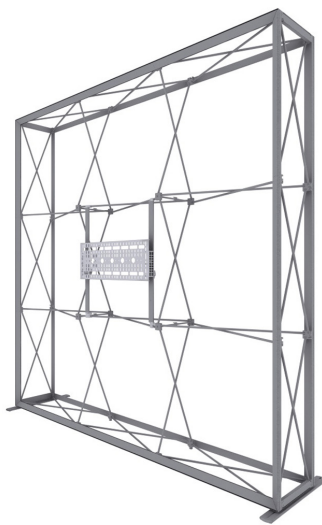
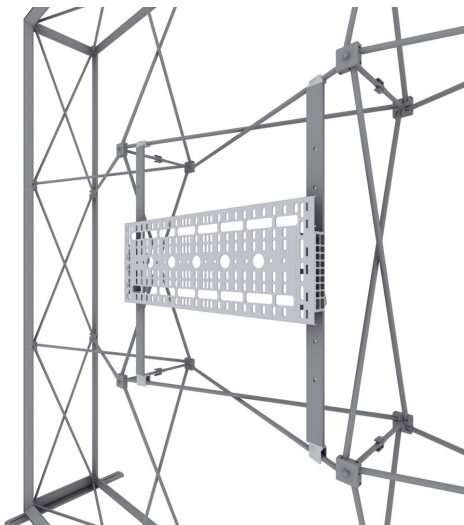
| | |
|---------------------|---------------------|
| Shipping Weight | 9 lbs |
| Shipping Dimensions | 31" L x 11"W x 7" H |

TV/MONITOR WEIGHT/SIZE LIMIT

Compatible with the following TV/monitor sizes 24-48"

Maximum weight capacity 30 lbs

| | |
|--------------|-----------|
| AVAILABILITY | CA and PA |
|--------------|-----------|

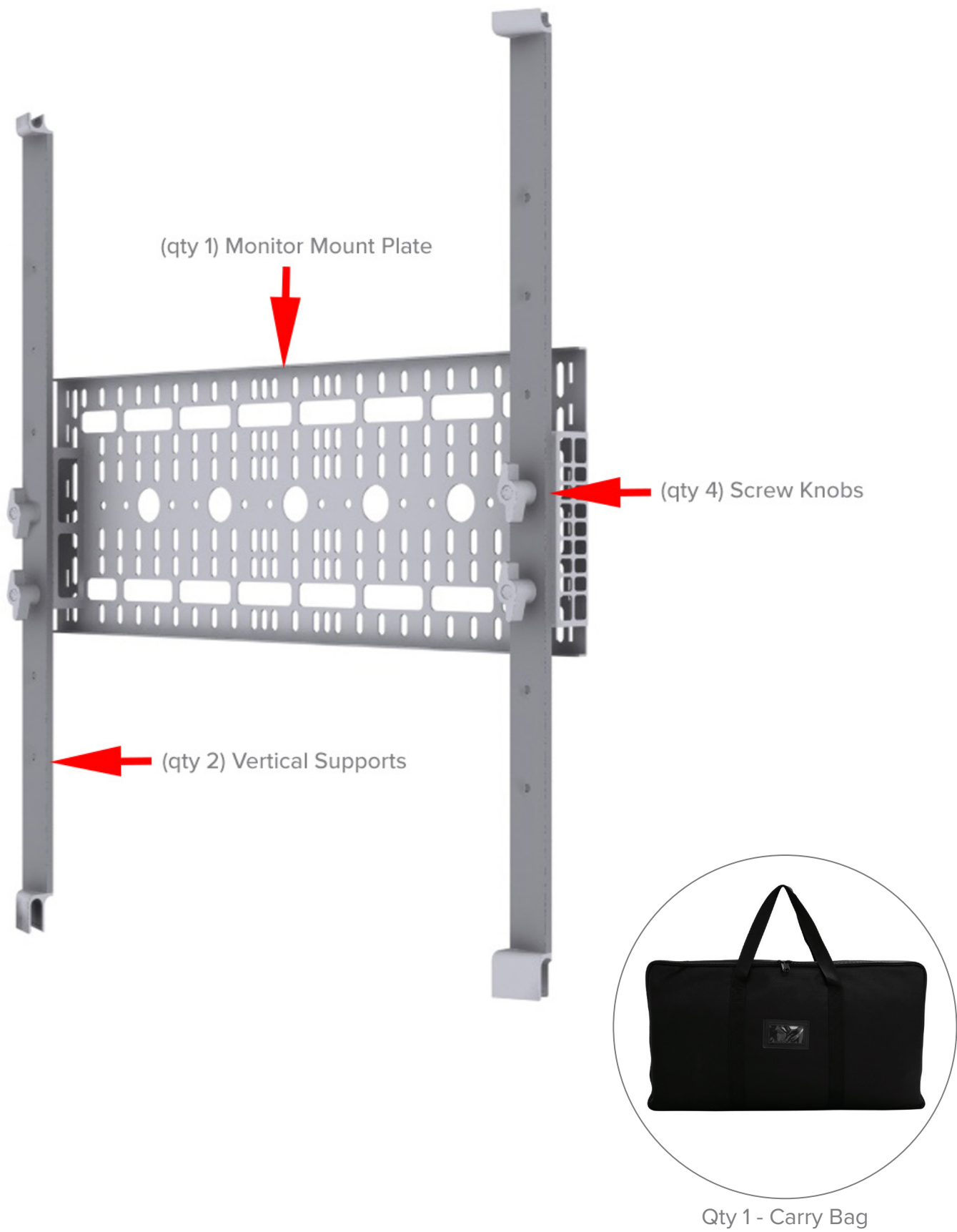


Installed On Jolly Light Wall®
7.5ft X 7.5ft Frame Non-Backlit

JOLLY LIGHT WALL® MONITOR MOUNT

JOLLY LIGHT WALL®
PRODUCT CODE: LLW-MM

PARTS LIST



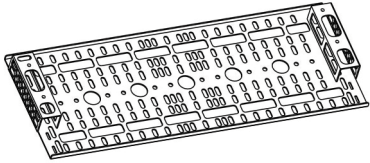
JOLLY LIGHT WALL® MONITOR MOUNT

JOLLY LIGHT WALL®

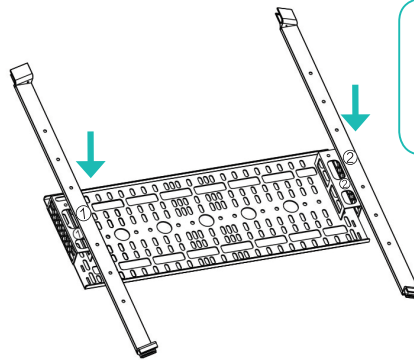
PRODUCT CODE: LLW-MM

INSTRUCTIONS

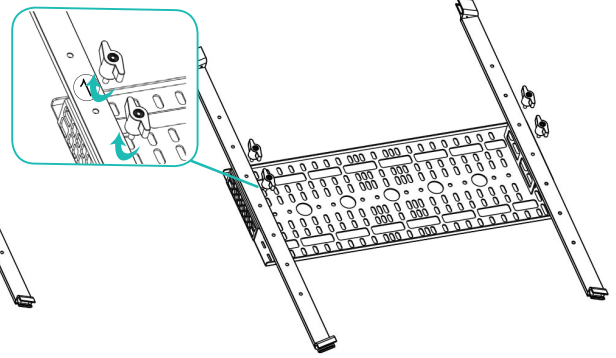
Assemble monitor mount



a. Place mounting plate face down.

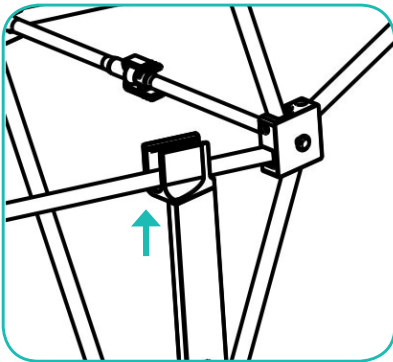


b. Place support struts in desired location on mount.
(Match #'s on struts with mounting plate. Struts are also marked top & bottom)

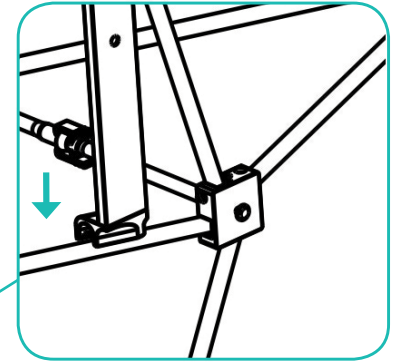
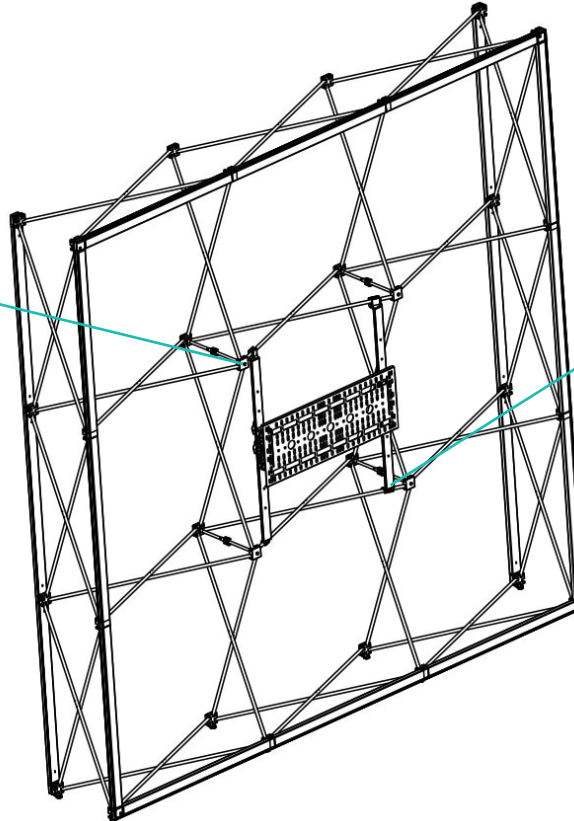


c. Attach support struts with the supplied wing nuts.

Installation on frame



a. Slide top brackets onto X bars on frame.



b. Rest bottom brackets on bottom X bars on frame.

*If installing on backlit frame, place monitor mount on backside of the display (opposite side the lights are mounted on)