

# MODCO 21 - 30X10

MODCO MODULAR EXHIBITS  
PRODUCT CODE: MODCO30-30x10G

LIFE  
TIME

1  
YEAR

DOUBLE  
SIDED

INDOOR  
USE

On frame On graphic



## PRODUCT DESCRIPTION

Modco Modular Display 21 is a three-dimensional 30' x 10' pre-designed exhibit booth. Stylish and lively, it incorporates a 30' wide backwall with three 10' wide sidewalls. This booth is made up of tool-free perforated modular aluminum frames and assembled with toolless pin connectors. Perforations are completely covered for a flawless finish.

DISPLAY DIMENSIONS	351.5"W x 95.25"H x 117.38"D		
GRAPHIC SIZES	PANEL	SIZE	QTY
	T	352.49"W x 96.25	2
	S	118.38"W x 96.25"H	8
TOTAL PRINTS			10

## GRAPHIC MATERIAL

Stretch Fabric w/ Integrated Block Out

## GRAPHIC FINISHING

Silicone beading is sewn around the perimeter of the fabric graphic. Silicone beading is hidden from view once installed.

## DISPLAY CONSTRUCTION

Aluminum frame and components

## SHIPPING WEIGHTS & DIMENSIONS (FREIGHT ONLY)

Shipping Weight	1465lbs (frame & graphics w/ crate and pallet)
Shipping Dimensions	104"L x 54"W x 44"H (1 crate)
	104"L x 40"W x 12"H (1 pallet)

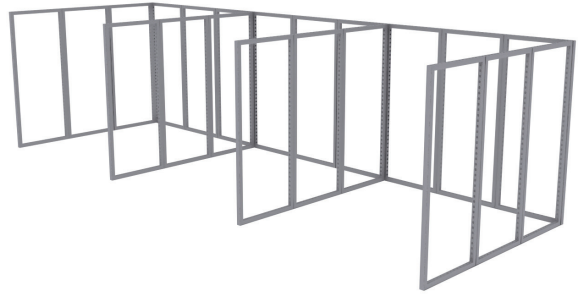
## GRAPHIC TURN AROUND TIME

6 business days after proof approval

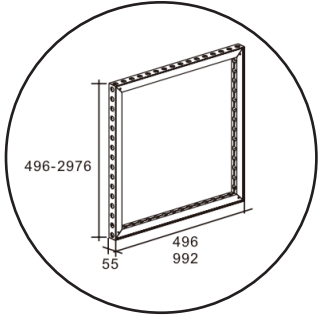
<b>AVAILABILITY</b>	PFC and PA
---------------------	------------

PARTS LIST			
REF	QTY	PART NO.	DESCRIPTION
1	21	MOD-FRM-992x2418	Straight Frame, Corner Screw Connect 992mm x 2418mm
B	84	MOD-PC	Pin Connector
C	4	MOD-90D-CON	90° Connector
D	4	MOD-SM90D-CON	90° Connector
E	32	MOD-CLA-CON	Clamp Connector
AJ	28	MOD-180D-CON	180 Degree Connector
H	4	MOD-T-90DCON	T Shape 3 Way 90 Degree Connector Used per Set of 2pcs

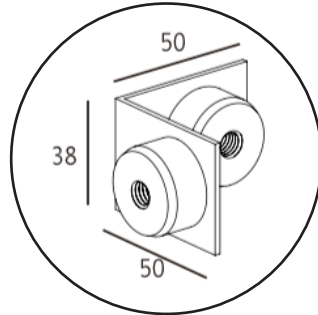
COVER PROFILES & ACCESSORIES			
REF	QTY	PART NO.	DESCRIPTION
AC	6	MOD-CP-992x2418	Cover Profile for Frame 992x2418. Flat Model. Anodized
AF	18	MOD-CC	Clip Connector Cover Connects Cover Profile
AL	84	MOD-FP	Modco Frame Protector



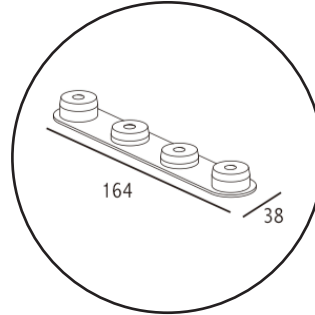
## PARTS REFERENCE



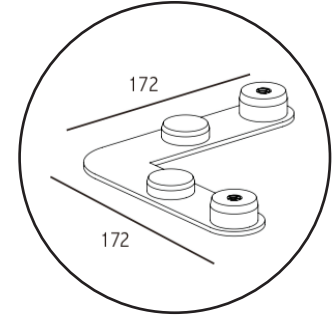
MOD-FRM-992X2418



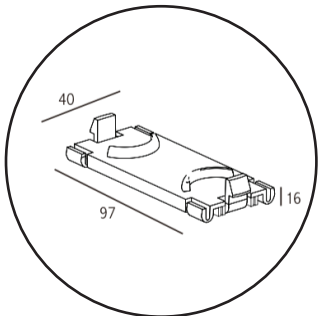
MOD-90D-CON



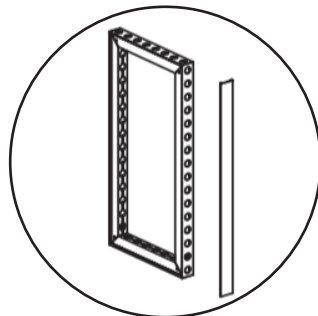
MOD-180D-CON



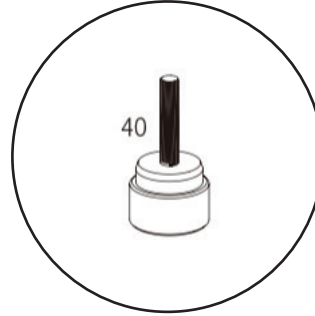
MOD-SM90D-CON



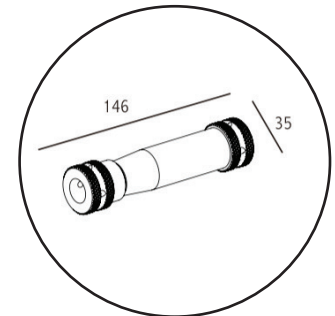
MOD-CC



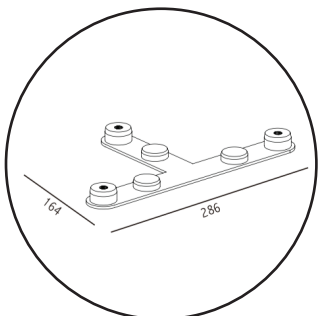
MOD-CP-992X2418



MOD-PC

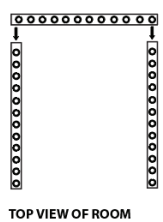
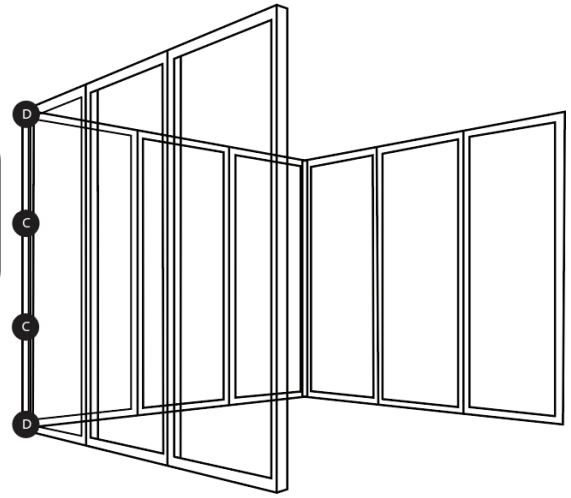
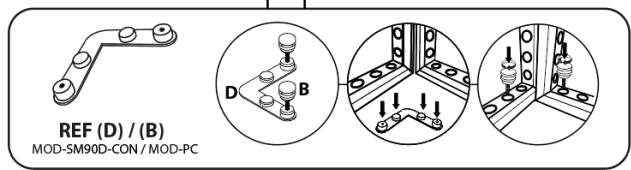
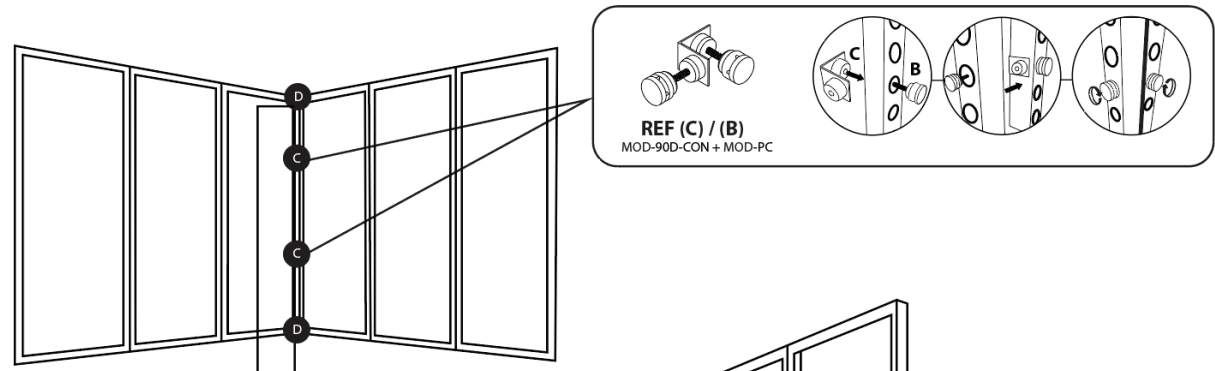
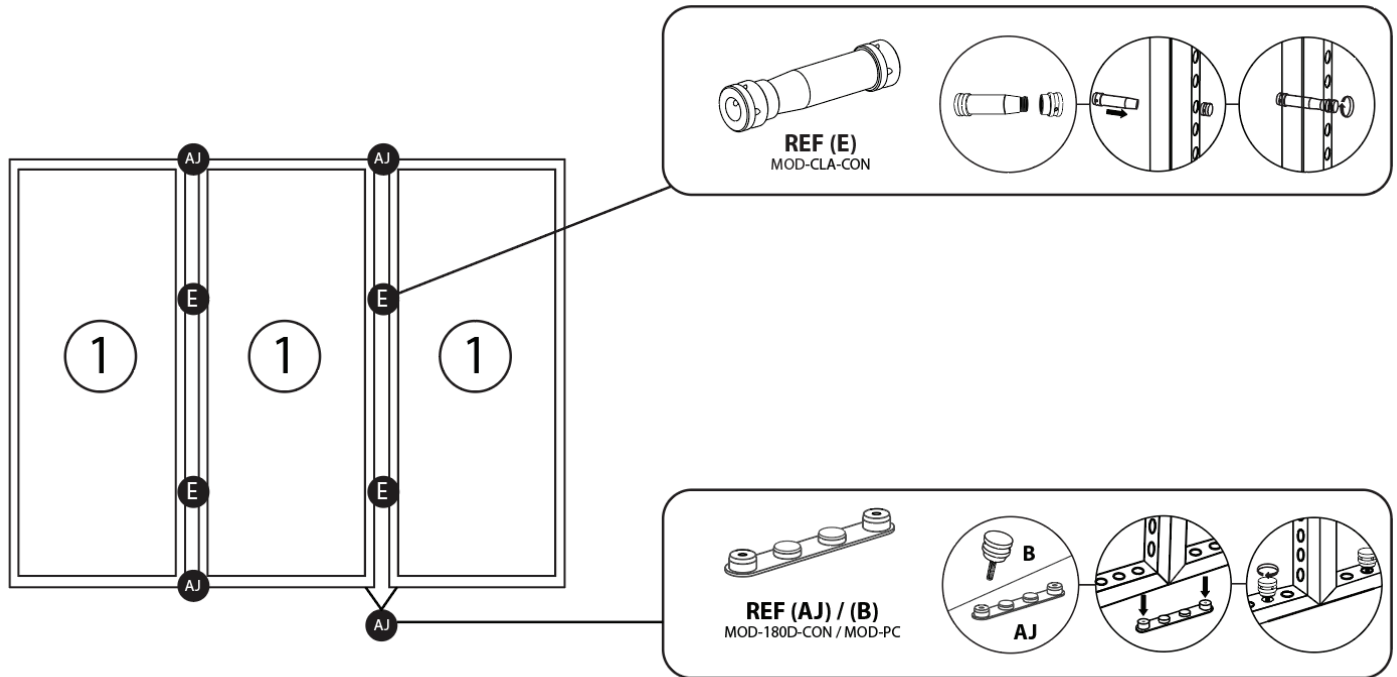


MOD-CLA-CON



MOD-T-90DCON

## INSTRUCTIONS



# MODCO 21 - 30X10

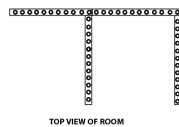
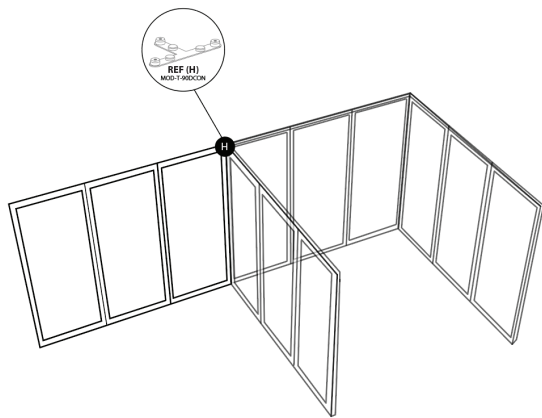
MODCO MODULAR EXHIBITS  
PRODUCT CODE: MODCO30-30x10G



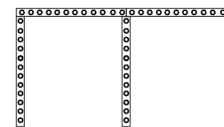
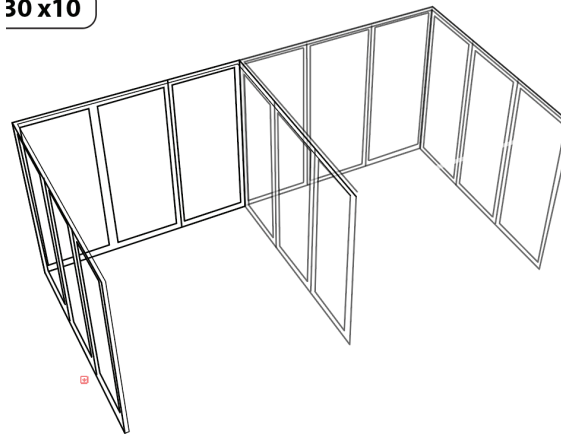
On frame On graphic

## INSTRUCTIONS

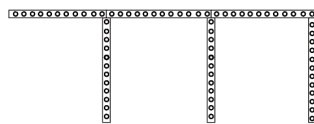
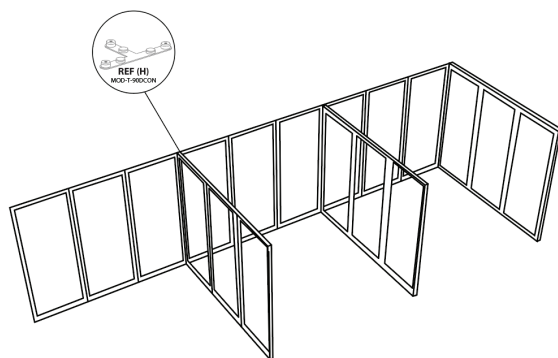
30 x 10



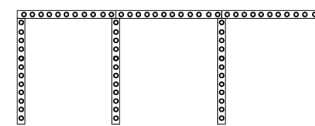
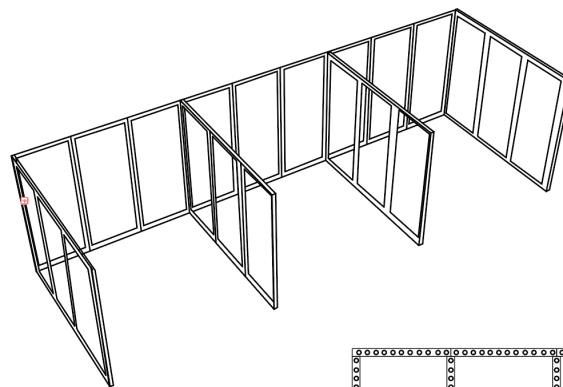
TOP VIEW OF ROOM



TOP VIEW OF ROOM

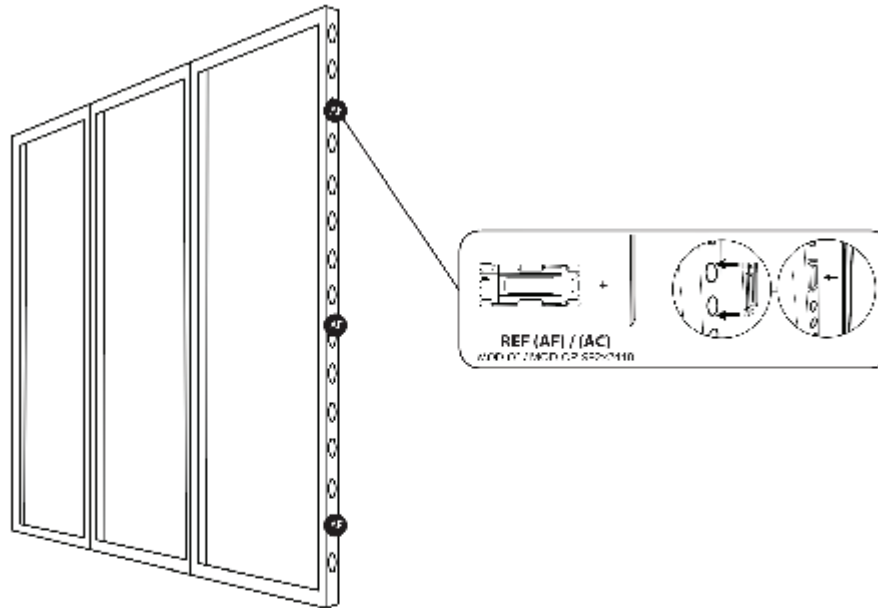


TOP VIEW OF ROOM



TOP VIEW OF ROOM

## INSTRUCTIONS



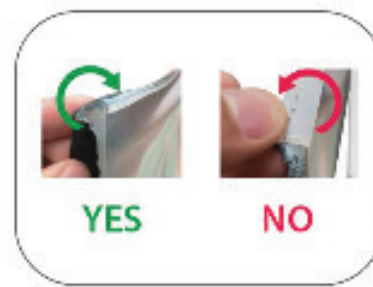
REF	QTY	PART NO.	DESCRIPTION
AF	1	30-30-10-10-10	Frame with 30" x 30" x 10" x 10" x 10" x 10" x 10" x 10"
AC	1	30-30-10-10-10	Frame with 30" x 30" x 10" x 10" x 10" x 10" x 10" x 10"
AL	22	30-30-10-10-10	Frame with 30" x 30" x 10" x 10" x 10" x 10" x 10" x 10"



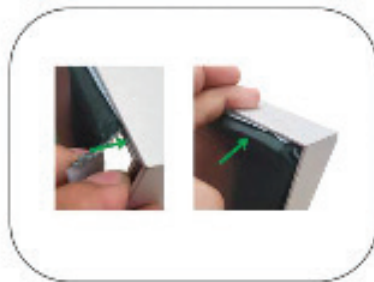
Place graphic over the front of the frame.



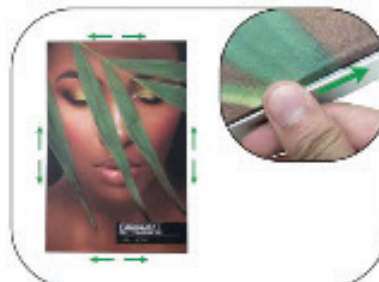
Begin inserting SEG beading at each corner.



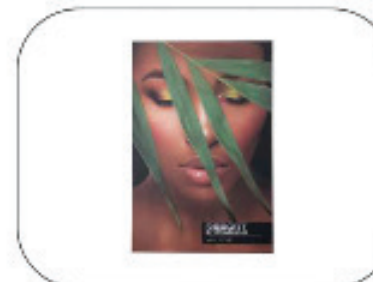
Insert the silicone beading with the fabric folded over. The silicone beading should not be exposed.



Using your fingers, push both fabric and silicone beading completely into the extrusions channel.



Continue to push in the remaining silicone beading on each side.



Check the perimeter of the frame for any excess beading that hasn't been pushed in. Graphic should be taut.