

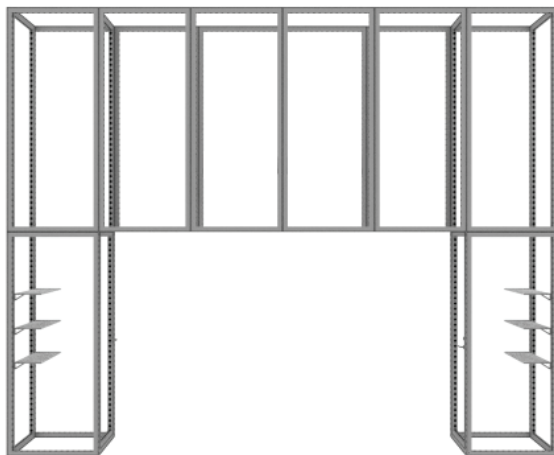
MODCO 31 - TOWER

MODCO MODULAR EXHIBITS
 PRODUCT CODE: MODCO31-TOWER-G



INDOOR USE

Frame & Graphic



PRODUCT DESCRIPTION

Modco® Modular Display 31 is a three-dimensional pre-designed tower exhibit, ideal for an island booth space. Stylish and lively, this booth is built using tool-free perforated modular aluminum frames along with rounded corners. Multiple size frames connect using tool-less pin connectors.

DISPLAY DIMENSIONS		234"W X 192"H X 39"D
GRAPHIC SIZES	SIZE	QTY
	39"W x 192"H	2
	234 x 96.25"H	2
	39"W x 96.25"H	4
	39"W x 96"H DOOR	1
TOTAL		9

GRAPHIC MATERIAL

Stretch Fabric w/ Integrated Block Out

GRAPHIC FINISHING

Silicone beading is sewn around the perimeter of the fabric graphic. Silicone beading is hidden from view once installed.

DISPLAY CONSTRUCTION

Aluminum frame and components

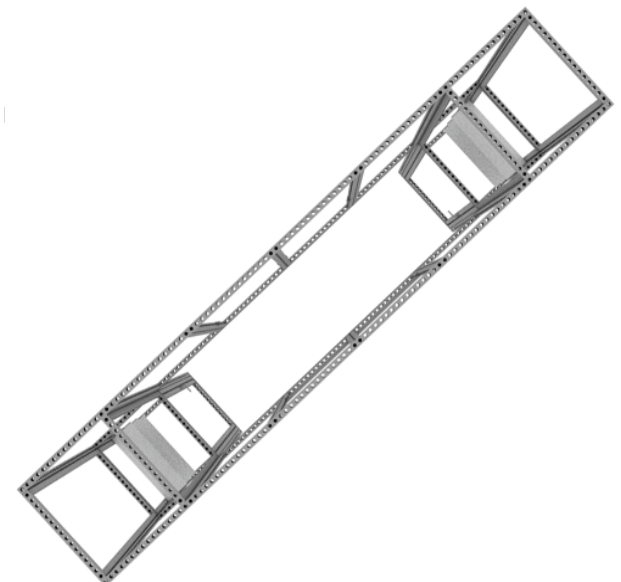
SHIPPING WEIGHTS & DIMENSIONS (FREIGHT ONLY)

Shipping Weight	988lbs w/ pallet
Shipping Dimensions	96"L x 40"W x 65"H

GRAPHIC TURN AROUND TIME

4 business days after proof approval

AVAILABILITY	PFC / PA
--------------	----------

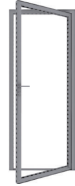




PARTS REFERENCE



992 x 2418
MOD-FRM-992x2418
Qty.22



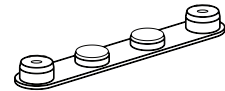
Door Set w/Lock 992mm x 2418mm
MOD-DSWL-992x2418
Qty.2



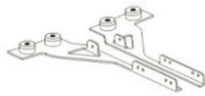
Flat Head Pin Connector
MOD-PCWP-A
Qty.8



Modco Panel Shelf
Bannermate 984x301 (white)
MOD-PNL-BM-984x301-WHT
Qty.6



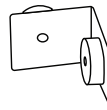
180 Degree Connector
MOD-180D-CON
Qty.12



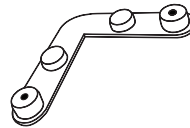
Shelf Kit (Outside Frame)
MOD-SHELF-KIT-350mm
Qty.6



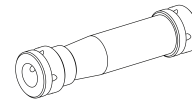
Pin Connector
MOD-PC
Qty.170



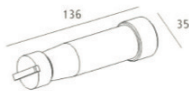
90° Connector
MOD-90D-CON
Qty.32



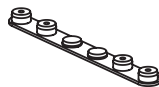
Small 90° Connector
MOD-SM90D-CON
Qty.34



Clamp Connector
MOD-CLA-CON
Qty.40



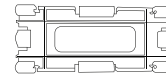
Door Clamp Connector, 180 Degrees
MOD-DCC-180D
Qty.4



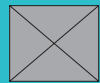
180° Strength Connector
MOD-180D-STR-CON
Qty.15



2418mm Cover Profile
MOD-CP-992x2418
Qty.12

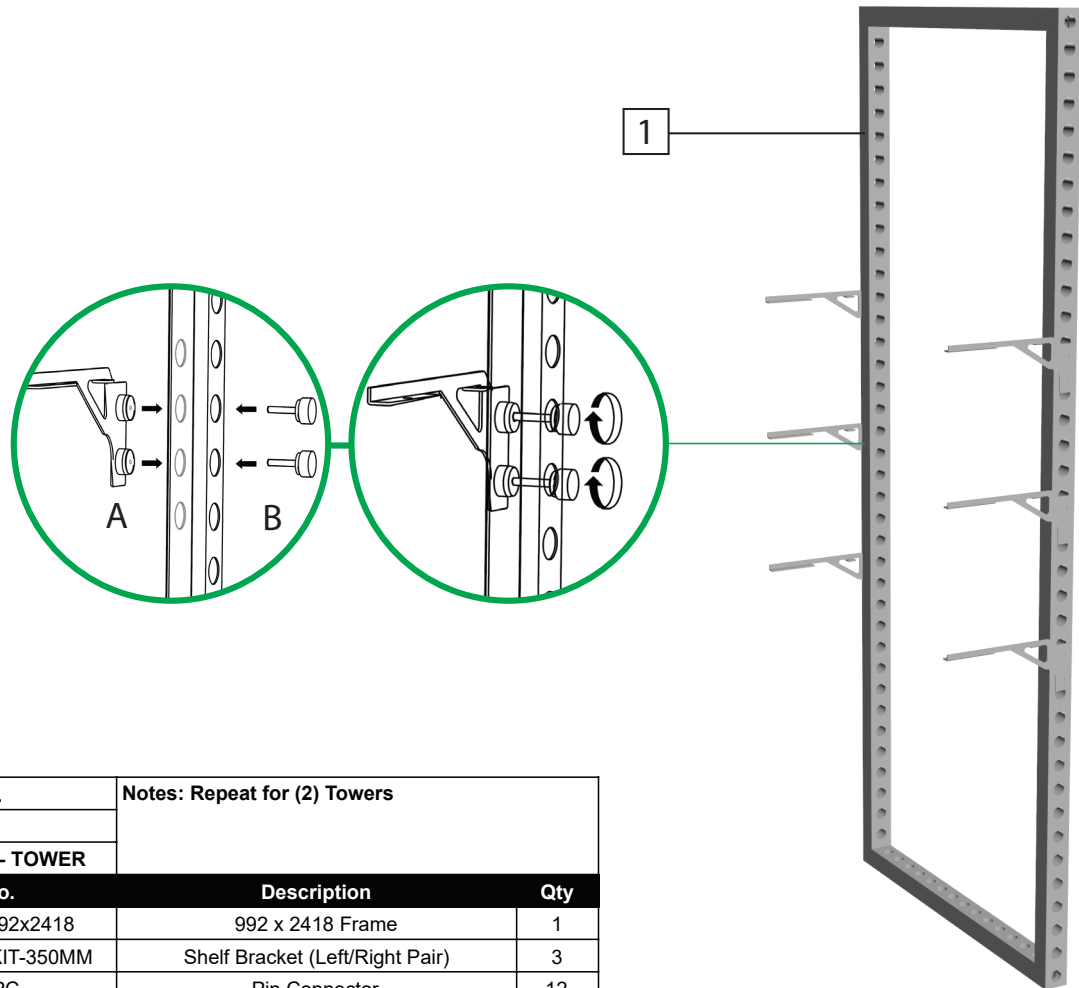


Clip Connector
MOD-CC
Qty.32



INSTRUCTIONS

Tower Build - Step 1

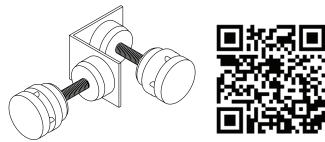


Instructions by: Joey F.		Notes: Repeat for (2) Towers	
Date: 4 JAN 2024			
Reference: MODCO 31 - TOWER			
REF	Part No.	Description	Qty
1	MOD-FRM-992x2418	992 x 2418 Frame	1
A	MOD-SHELF-KIT-350MM	Shelf Bracket (Left/Right Pair)	3
B	MOD-PC	Pin Connector	12

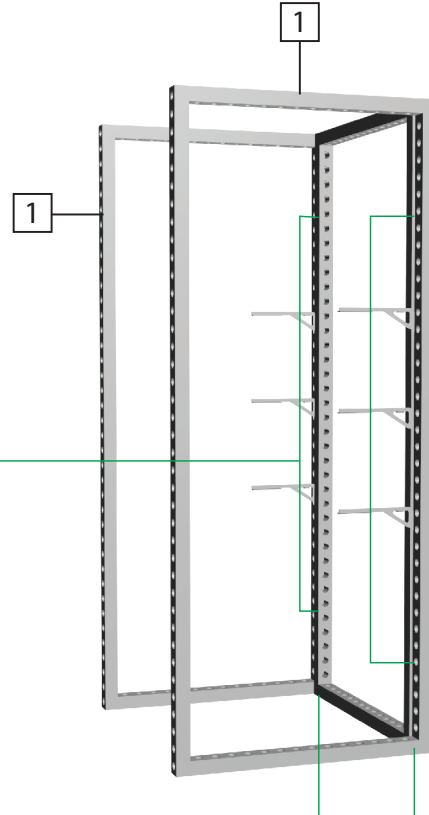
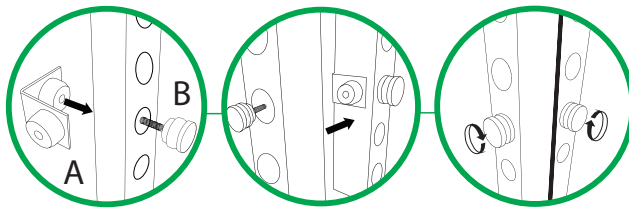


INSTRUCTIONS

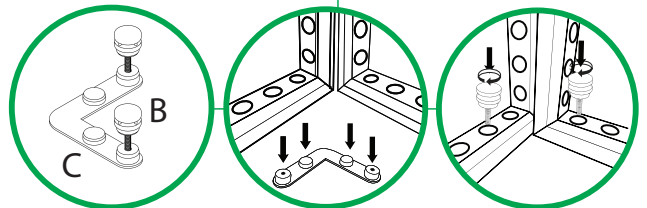
Tower Build - Step 2



MOD-90D-CON + MOD-PC
 Pin Connector heads remain on the inside of frames.



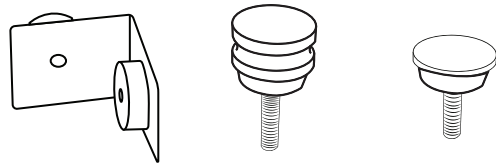
Instructions by: Joey F.		Notes: Repeat for (2) Towers. Scan QR code for video tutorial.	
Date: 4 JAN 2024			
Reference: MODCO 31 - TOWER			
REF	Part No.	Description	Qty
1	MOD-FRM-992x2418	992 x 2418 Frame	2
A	MOD-90D-CON	Small 90° Connector (Middle)	4
B	MOD-PC	Pin Connector	12
C	MOD-SM90D-CON	Large 90° Connector (Bottom)	2





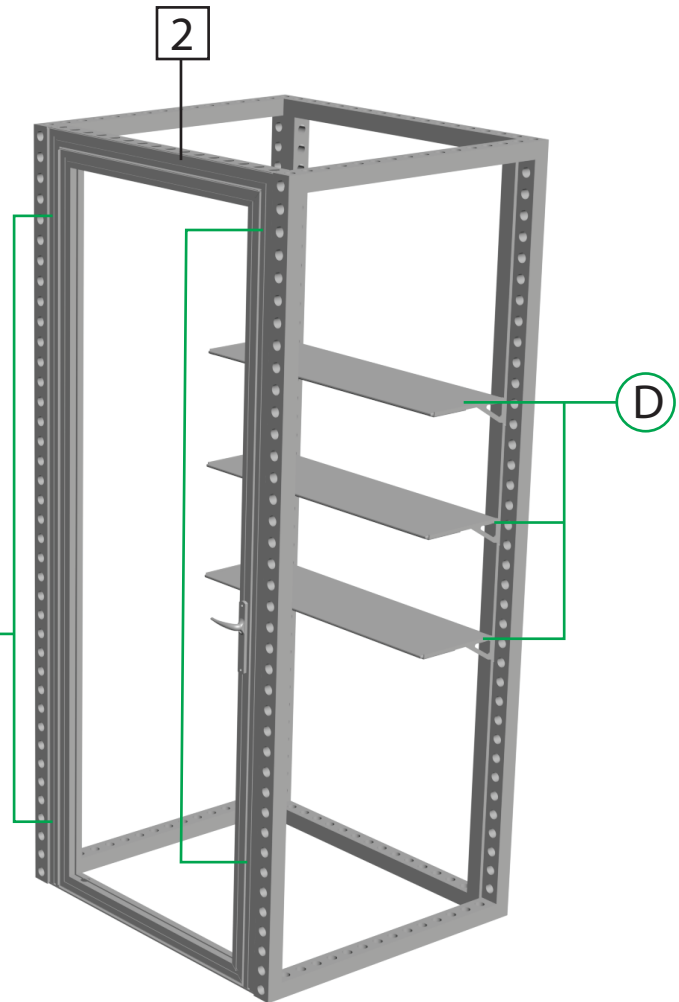
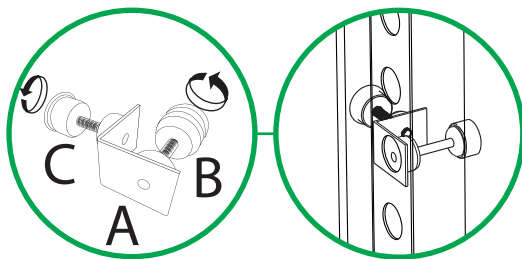
INSTRUCTIONS

Tower Build - Step 3



REF (C) + (B) + (A)

*MOD-PCWP-A will be inside of door hinge

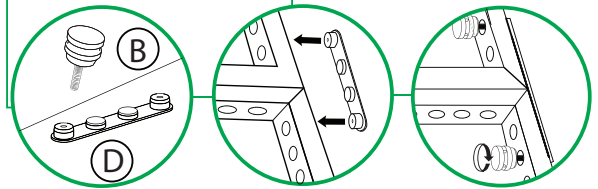
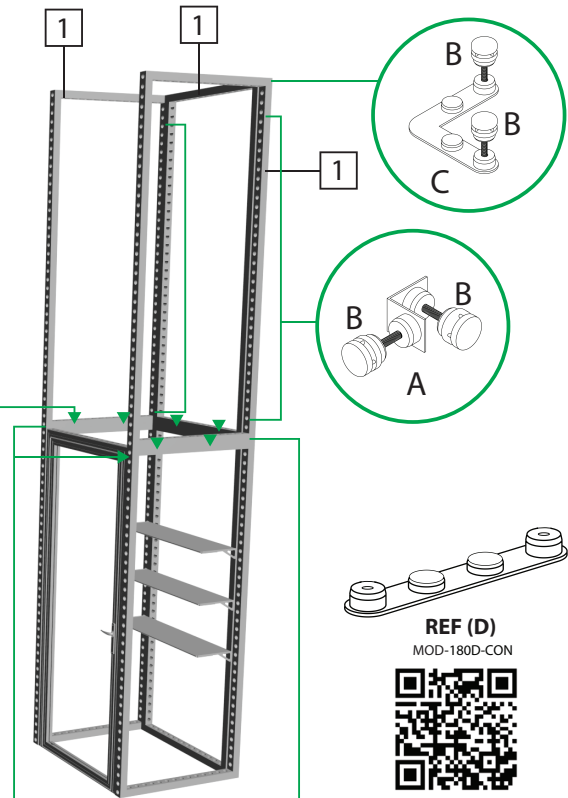
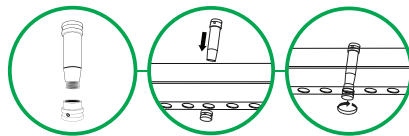
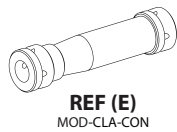


Instructions by: Joey F.		Notes: Repeat for (2) Towers	
Date: 4 JAN 2024		Tools required: Flat-head screwdriver and M8 allen key.	
Reference: MODCO 31 - TOWER			
REF	Part No.	Description	Qty
2	MOD-DSWL-992x2418	992 x 2418 Door w/ Lockset	1
A	MOD-90D-CON	Small 90° Connector (Middle)	4
B	MOD-PC	Pin Connector	4
C	MOD-PCWP-A	Pin Connector for door jamb	4
D	MOD-PNL-BM-984x301-WHT	Shelf (White Panel)	3



INSTRUCTIONS

Tower Build - Step 4

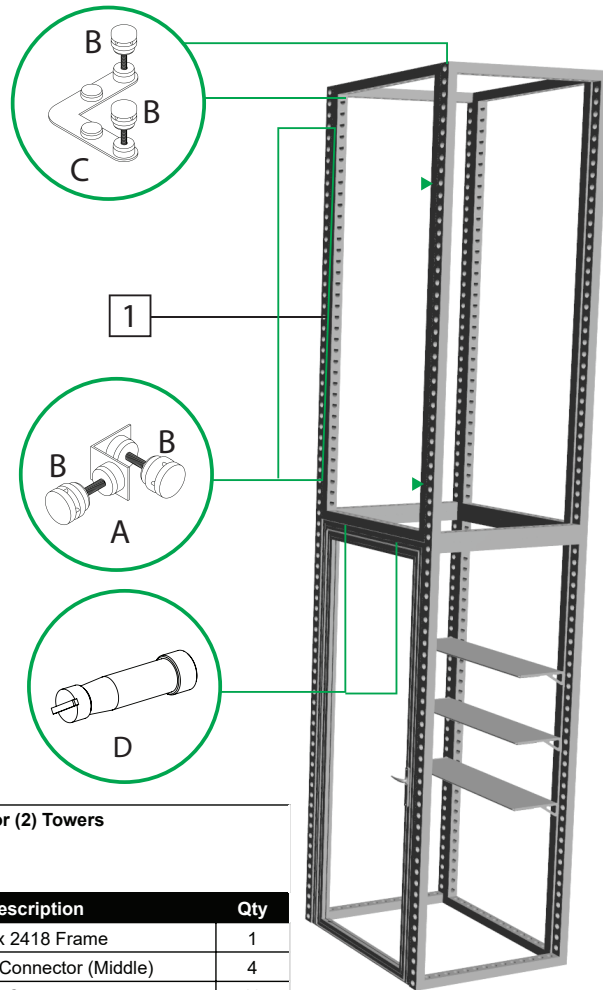


Instructions by: Joey F.		Notes: Repeat for (2) Towers	
Date: 4 JAN 2024			
Reference: MODCO 31 - TOWER			
REF	Part No. D	escriptionQ	ty
1M	OD-FRM-992x2418	992 x 2418 Frame3	
AM	OD-90D-CON	Small 90° Connector (Middle)4	
BM	OD-PC	Pin Connector	16
CM	OD-SM90D-CON	Large 90° Connector (Top)	2
DM	OD-180D-CON	180° Connector (Middle)2	
EM	OD-CLA-CON	Clamp Connector 6	



INSTRUCTIONS

Tower Build - Step 5

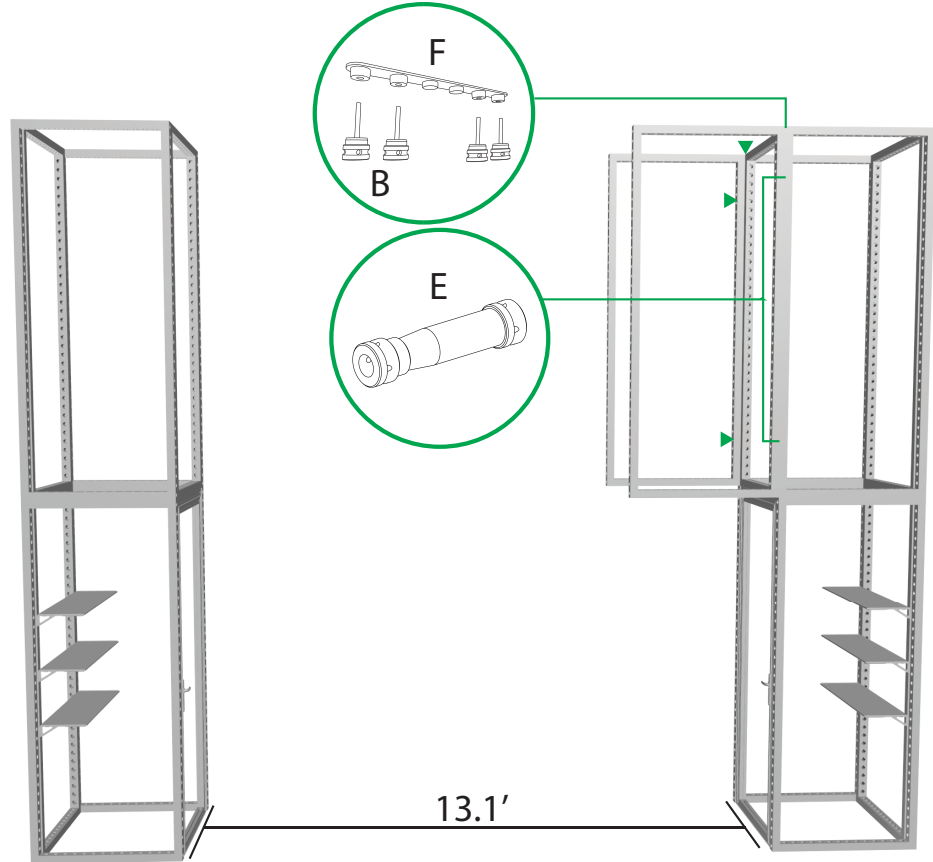


Instructions by: Joey F.		Notes: Repeat for (2) Towers	
Date: 4 JAN 2024			
Reference: MODCO 31 - TOWER			
REF	Part No.	Description	Qty
1	MOD-FRM-992x2418	992 x 2418 Frame	1
A	MOD-90D-CON	Small 90° Connector (Middle)	4
B	MOD-PC	Pin Connector	12
C	MOD-SM90D-CON	Large 90° Connector (Top)	2
D	MOD-DCC-180D	Door Clamp Connector	2



INSTRUCTIONS

Arches - Step 6

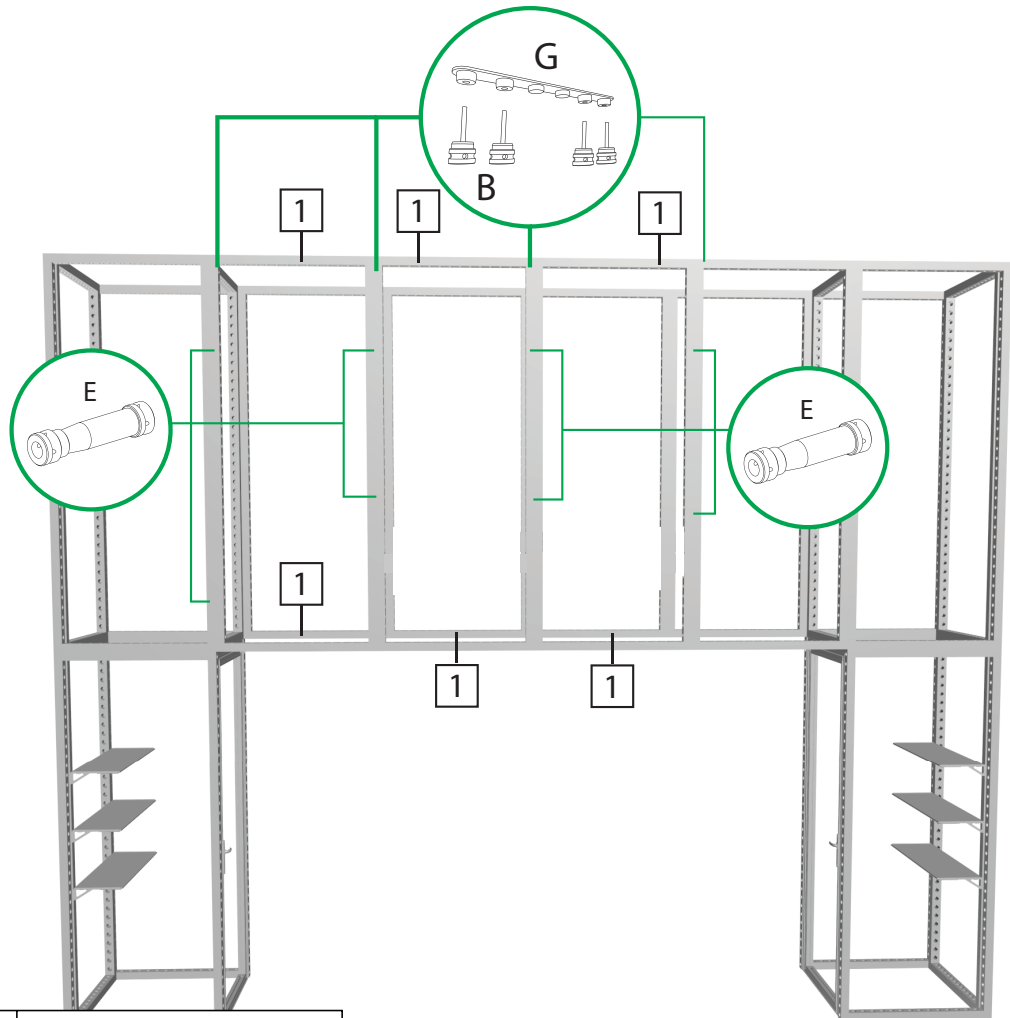


Instructions by: Joey F.		Notes: Set both towers approx. 13' apart and begin building archway (double-sided). Use a 2nd person or ladder to support the floating frame.	
Date: 4 JAN 2024			
Reference: MODCO 31 - TOWER			
REF	Part No.	Description	Qty
1	MOD-FRM-992x2418	992 x 2418 Frame	2
B	MOD-PC	Pin Connector	8
F	MOD-180D-STR-CON	180° STR Connector (Top)2	
E	MOD-CLA-CON	Clamp Connector	4



INSTRUCTIONS

Arches - Step 7

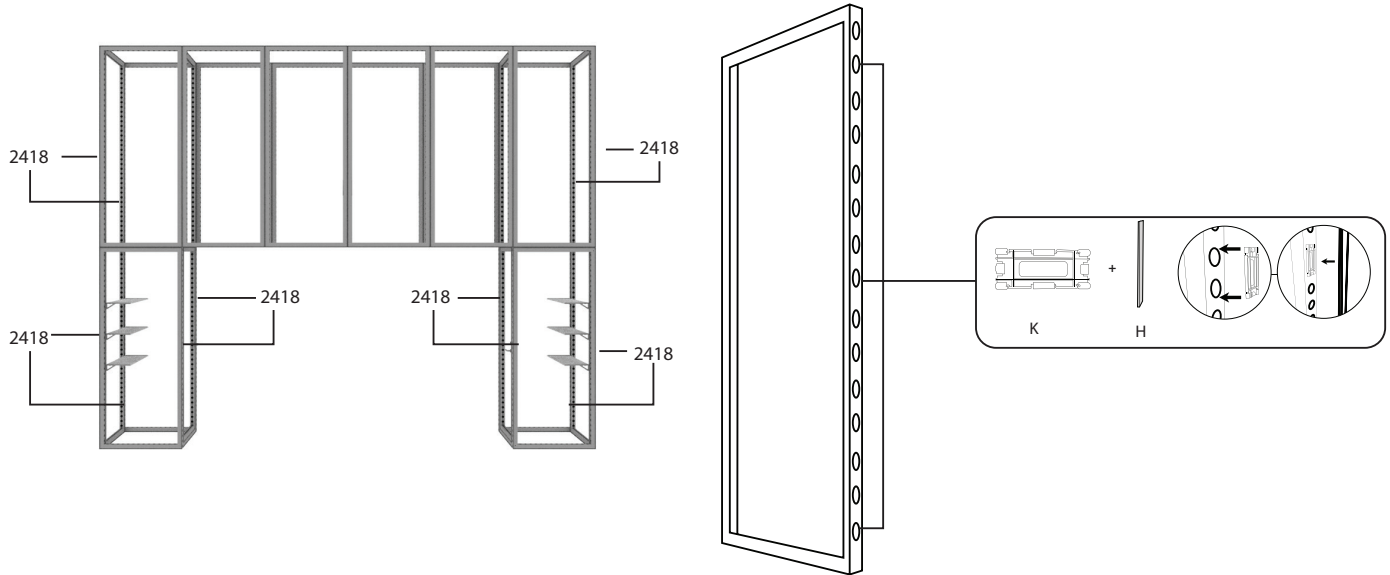


Instructions by: Joey F.			
Date: 4 JAN 2024			
Reference: MODCO 31 - TOWER			
REF	Part No. D	escriptionQ	ty
1M	OD-FRM-992x2418	992 x 2418 Frame6	
BM	OD-PCP	in Connector5	6
EM	OD-CLA-CON	Clamp Connector3	6
GM	OD-180D-STR-CON	180° STR Connector (Top/Bottom)1	4

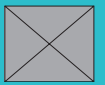


INSTRUCTIONS

Cover Profiles - Step 12



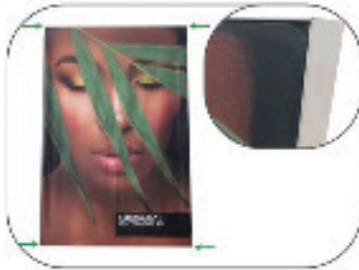
COVER PROFILES & ACCESSORIES			
REFQ	TY	PART NO.	DESCRIPTION
H	12	MOD-CP-992x2418	Cover Profile for Frame
K	36	MOD-CC	Clip Connector Cover Connects Cover Profile



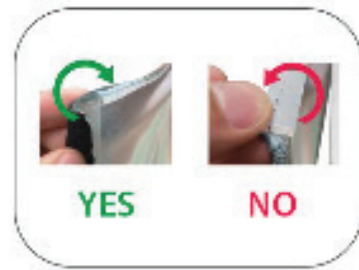
GRAPHIC REFERENCES



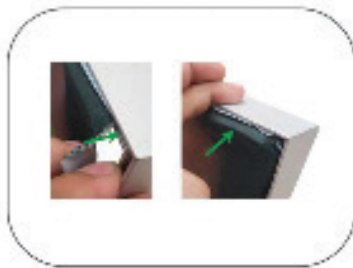
Place graphic over the front of the frame.



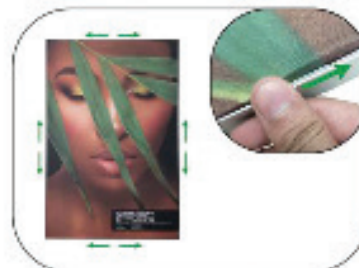
Begin inserting SEG beading at each corner.



Insert the silicone beading with the fabric folded over. The silicone beading should not be exposed.



Using your fingers, push both fabric and silicone beading completely into the extrusions channel.



Continue to push in the remaining silicone beading on each side.



Check the perimeter of the frame for any loose beading that hasn't been pushed in. Graphic should be taut.

