

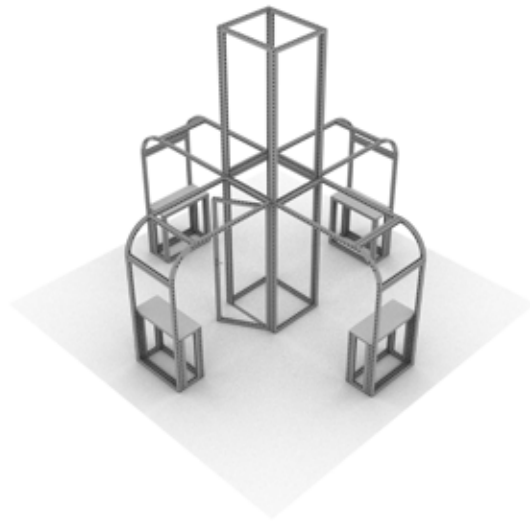
MODCO 5A - 20X20

MODCO MODULAR EXHIBITS

PRODUCT CODE: MODCO5A-20x20-G



Frame & Graphic



PRODUCT DESCRIPTION

Modco Modular Display 5A is a three-dimensional 20' x 20' pre-designed exhibit booth. Stylish and lively, this booth is built using tool-free perforated modular aluminum frames. Multiple size frames connect using toolless pin connectors. The tower features counters to showcase all of your products as well as a storage room. Perforations are completely covered for a flawless finish.

DISPLAY DIMENSIONS		234"W X 190.5"H X 234"D
GRAPHIC SIZES	SIZE	QTY
	40.05"W x 96.25"H	7
	40.05"W x 96.25"H DOOR PANEL	1
	40.05"W x 58.58"H	8
	31.5"W x 40.05"H	4
	27.5"W x 40.05"H	4
	13.2"W x 40.05"H	8
	40.05"W x 40.05"H	8
	40.05"W x 79.11"H	8
	TOTAL	48

GRAPHIC MATERIAL

Stretch Fabric w/ Integrated Block Out

GRAPHIC FINISHING

Silicone beading is sewn around the perimeter of the fabric graphic. Silicone beading is hidden from view once installed.

DISPLAY CONSTRUCTION

Aluminum frame and components

SHIPPING WEIGHTS & DIMENSIONS (FREIGHT ONLY)

Shipping Weight	1473lbs
Shipping Dimensions	103"L x 44"W x 58"H

GRAPHIC TURN AROUND TIME

6 business days after proof approval

AVAILABILITY	PFC / MX
--------------	----------



PARTS REFERENCE



180° Connector
MOD-180D-CON
Qty.4



Small 90° Connector
MOD-SM90D-CON
Qty.39



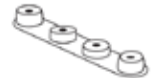
Pin Connector
MOD-PC
Qty.82



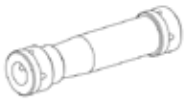
Door Pin Connector
MOD-PCWP-A
Qty.4



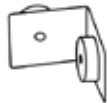
Clip Connector
MOD-CC
Qty.56



180° Curved Connector
MOD-CRV-180DCL Qty.4
MOD-CRV-180DCR Qty.4



Clamp Connector
MOD-CLA-CON
Qty.22



90° Connector
MOD-90D-CON
Qty.16



1/4 Curved Cover Profile
MOD-CP-774
Qty.8



39° Cover Profile
MOD-CP-3100
Qty.16



95° Cover Profile
MOD-CP-3100
Qty.8



992 x 1488
MOD-FRM-992x1488
Qty.4



95° Door
MOD-DSWL-992x2418
Qty.1



992 x 992
MOD-FRM-992x992
Qty.8



992 x 2418
MOD-FRM-992x2418
Qty.7



310 x 992
MOD-FRM-310x992
Qty.8



774 x 992
MOD-CRVFRM-774x992
Qty.4



Counter
MOD-CTR-8M-1012x434-WHT
Qty.4



Pin Connector for Profile Cover
MOD-PCWP-B
Qty.16



28mm Screw Nut
MOD-SN28MM
Qty.16

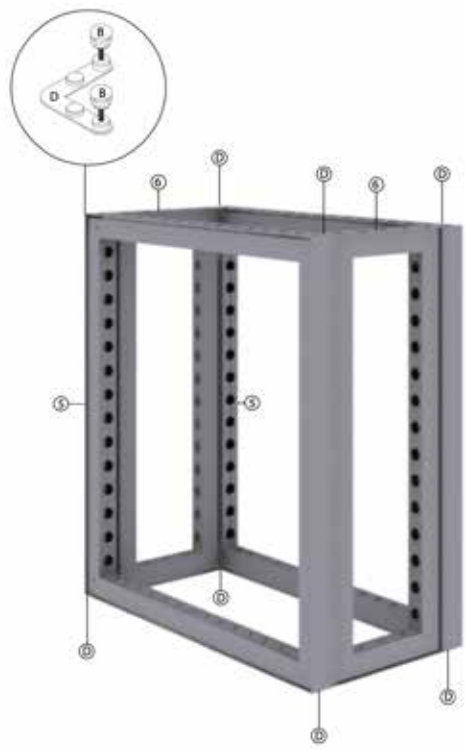
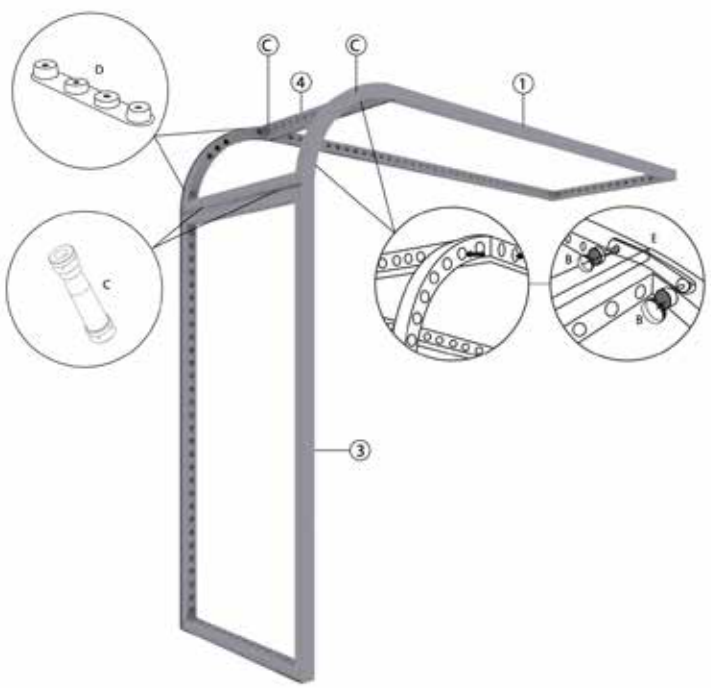
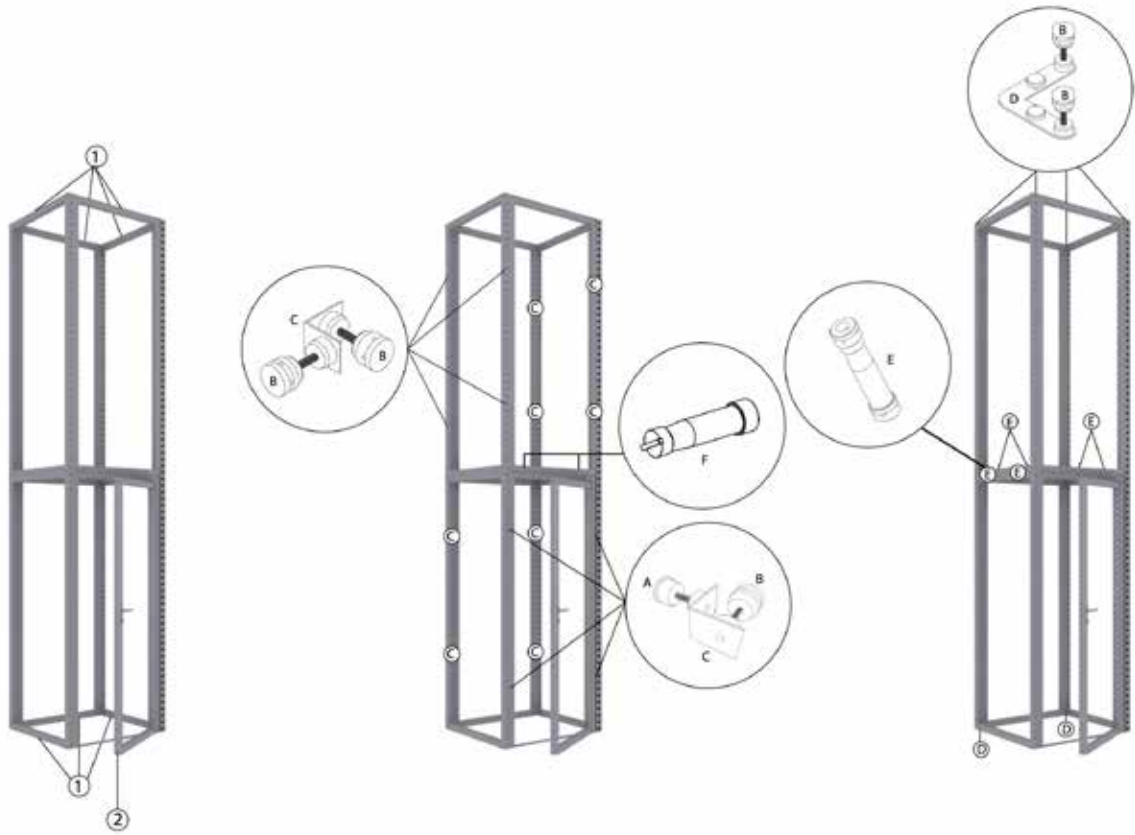


992 x 1984
MOD-FRM-992x1984
Qty.4

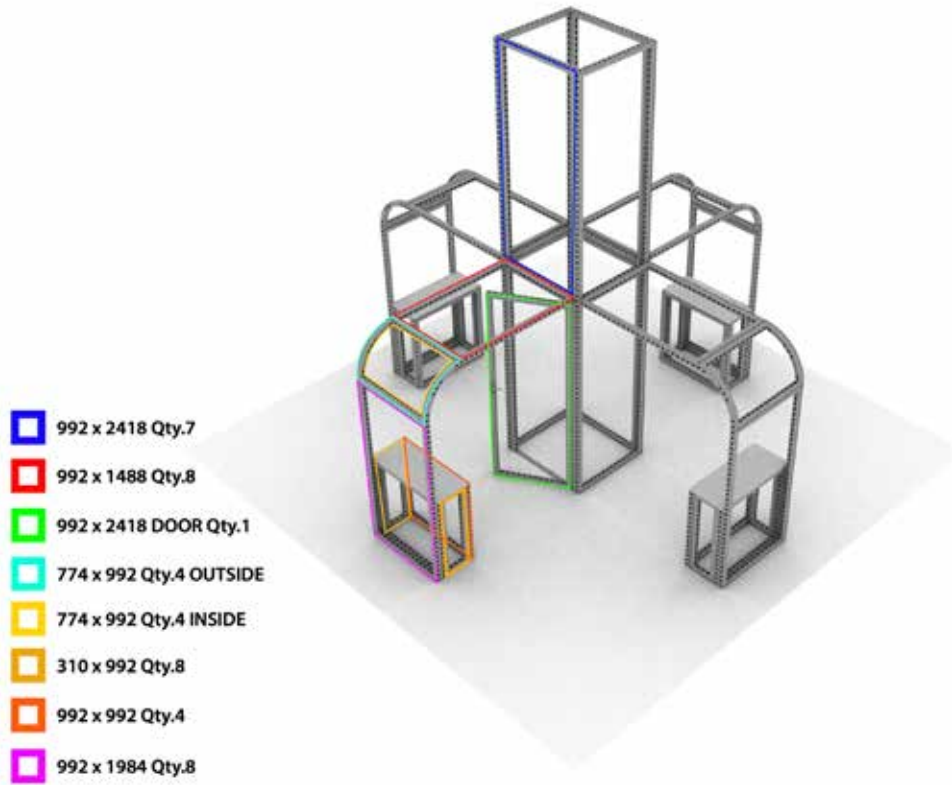


Clamp Connector
MOD-DCC-180D
Qty.2

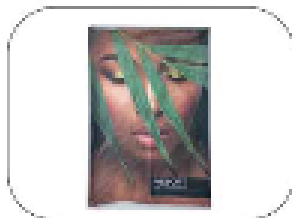
INSTRUCTIONS



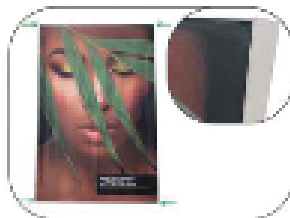
GRAPHIC REFERENCES



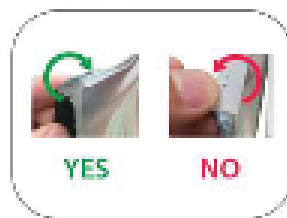
GRAPHIC INSTALL



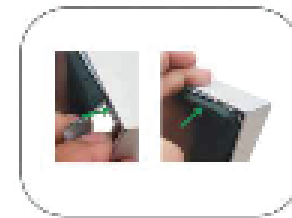
Place graphic over the front of the frame.



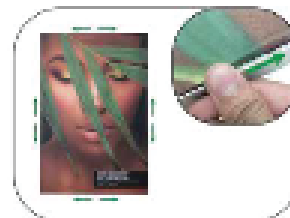
Begin inserting DBC beading at each corner.



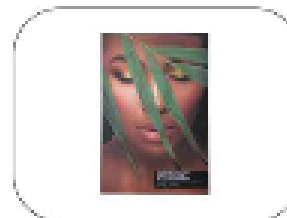
Insert the beading beading with the fabric folded over. The fabric beading should not be exposed.



Use your fingers to push both fabric and silicone beading completely into the frame's channel.



Continue to push into the existing channel on each side.



Check the perimeter of the frame for any excess beading. Use your finger to push the graphic down the last.