

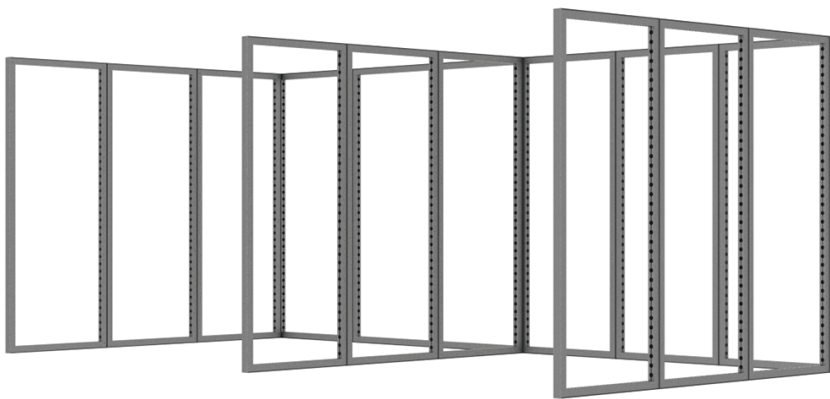
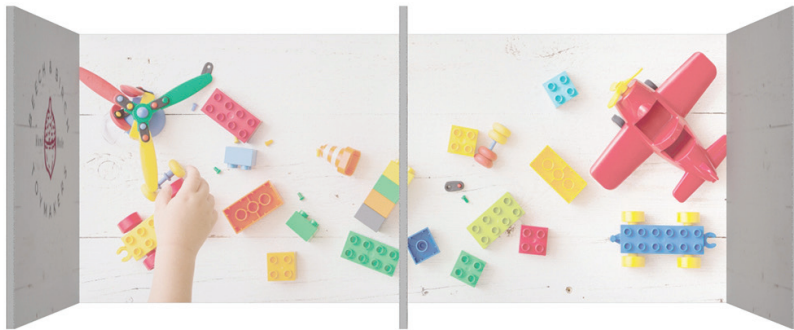
MODCO 20 - 20X10

MODCO MODULAR EXHIBITS

PRODUCT CODE: MODCO20-20x10G



On frame On graphic



PRODUCT DESCRIPTION

Modco Modular Display 20 is a three-dimensional 20' x 10' pre-designed exhibit booth. Stylish and lively, it incorporates a 20' wide backwall with two 10' return sidewalls. This booth is made up of tool-free perforated modular aluminum frames and assembled with toolless pin connectors. Perforations are completely covered for a flawless finish.

| | | | |
|--------------------|---------------------------|---------------------|-----|
| DISPLAY DIMENSIONS | 234"W x 95.25"H x 95.25"D | | |
| GRAPHIC SIZES | PANEL | SIZE | QTY |
| | S | 118.375"W x 96.25"H | 6 |
| TOTAL PRINTS | | | 6 |

GRAPHIC MATERIAL

Stretch Fabric w/ Integrated Block Out

GRAPHIC FINISHING

Silicone beading is sewn around the perimeter of the fabric graphic. Silicone beading is hidden from view once installed.

DISPLAY CONSTRUCTION

Aluminum frame and components

SHIPPING WEIGHTS & DIMENSIONS (FREIGHT ONLY)

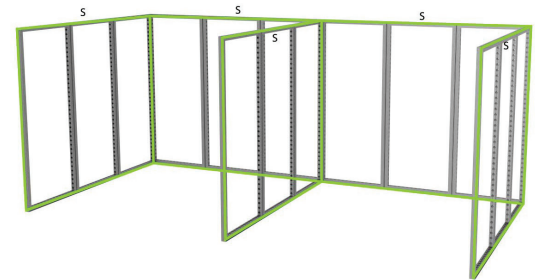
| | |
|---------------------|------------------------------------|
| Shipping Weight | 919lbs (frame & graphics w/ crate) |
| Shipping Dimensions | 104"L x 54"W x 44"H (crate) |

GRAPHIC TURN AROUND TIME

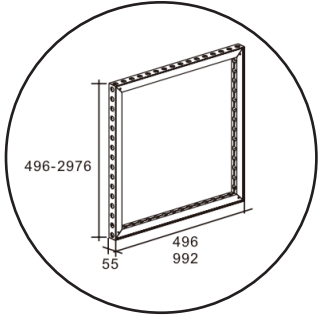
5 business days after proof approval

| | |
|--------------|---------|
| AVAILABILITY | CA only |
|--------------|---------|

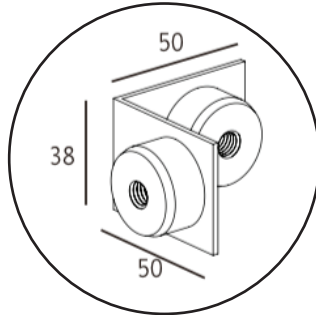
| REF | QTY | PART NO. | DESCRIPTION |
|-----|-----|------------------|--|
| 1 | 15 | MOD-FRM-992x2418 | Straight Frame, Corner Screw Connect 992mm x 2418mm |
| B | 62 | MOD-PC | Pin Connector |
| C | 4 | MOD-90D-CON | 90 Degree Connector |
| D | 4 | MOD-SM90D-CON | 90 Degree Connector |
| E | 22 | MOD-CLA-CON | Clamp Connector |
| AJ | 20 | MOD-180D-CON | 180 Degree Connector |
| H | 2 | MOD-T-90D-CON | T Shape 3 Way 90 Degree Connector Used per Set of 2pcs |
| AC | 5 | MOD-CP-992x2418 | Cover Profile for Frame 992x2418, Flat Model, Anodized |
| AF | 15 | MOD-CC | Clip Connector Cover Connects Cover Profile |
| AL | 60 | MOD-FP | Modco Frame Protector |



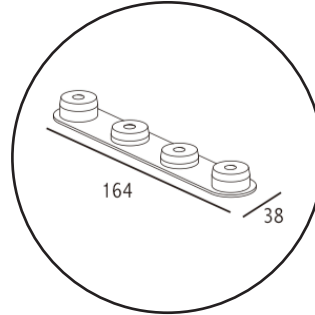
PARTS REFERENCE



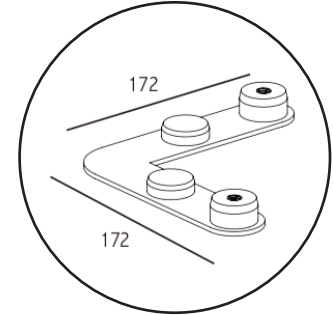
MOD-FRM-992X2418



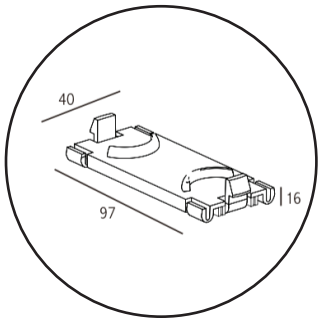
MOD-90D-CON



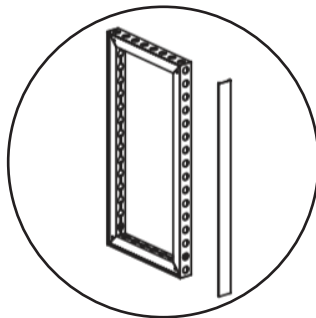
MOD-180D-CON



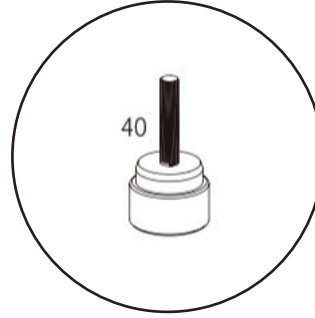
MOD-SM90D-CON



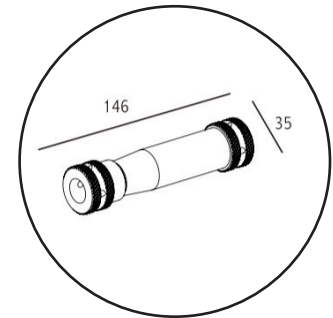
MOD-CC



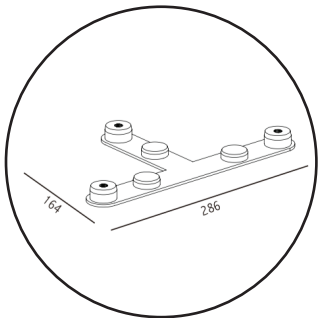
MOD-CP-992X2418



MOD-PC

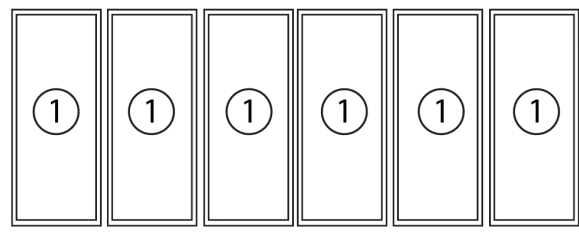
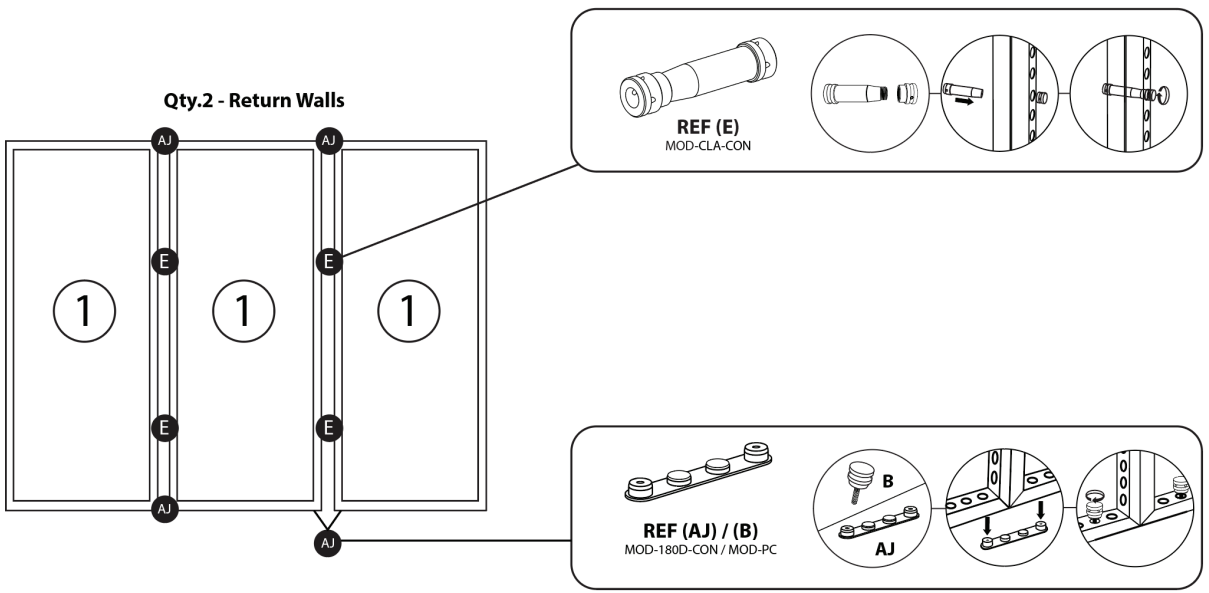


MOD-CLA-CON



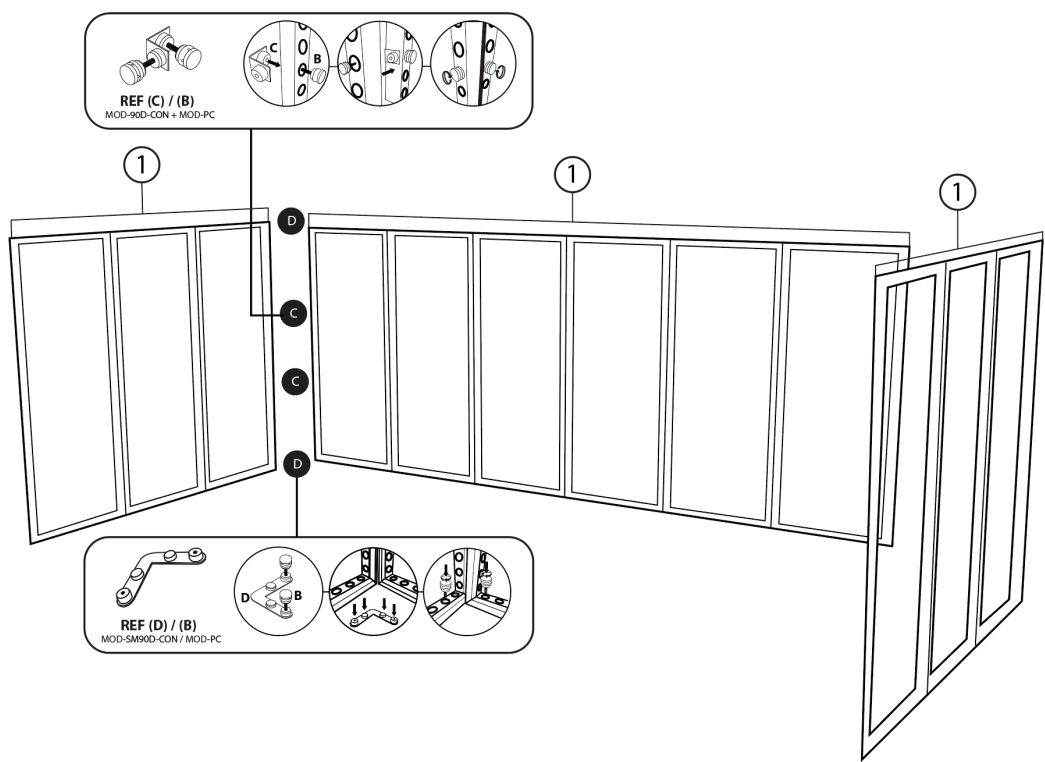
MOD-T-90DCON

INSTRUCTIONS

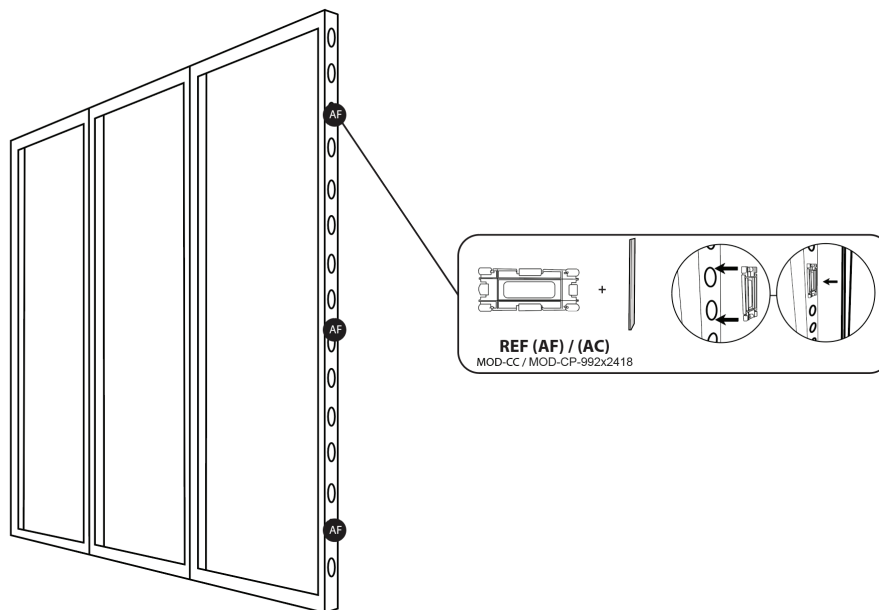
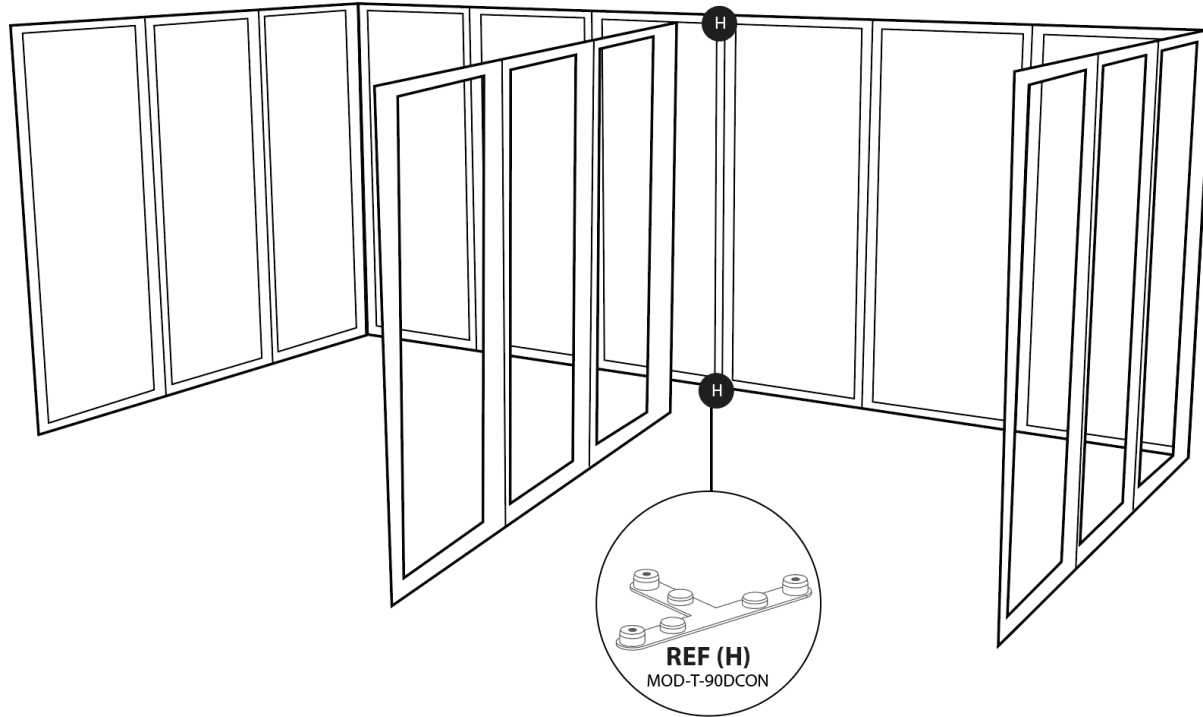


Qty.1 - Back Wall

| REF | QTY | PART NO. | DESCRIPTION |
|-----|-----|------------------|--|
| 1 | 15 | MOD-FRM-992x2418 | Straight Frame, Corner Screw Connect 992mm x 2418mm |
| B | 62 | MOD-PC | Pin Connector |
| C | 4 | MOD-90D-CON | 90° Connector |
| D | 4 | MOD-SM90D-CON | 90° Connector |
| E | 22 | MOD-CLA-CON | Clamp Connector |
| AJ | 20 | MOD-180D-CON | 180 Degree Connector |
| H | 2 | MOD-T-90DCON | T Shape 3 Way 90 Degree Connector Used per Set of 2pcs |



INSTRUCTIONS



| REF | QTY | PART NO. | DESCRIPTION |
|-----|-----|-----------------|--|
| AC | 5 | MOD-CP-992x2418 | Cover Profile for Frame 992x2418. Flat Model. Anodized |
| AF | 15 | MOD-CC | Clip Connector Cover Connects Cover Profile |
| AL | 60 | MOD-FP | Modco Frame Protector |

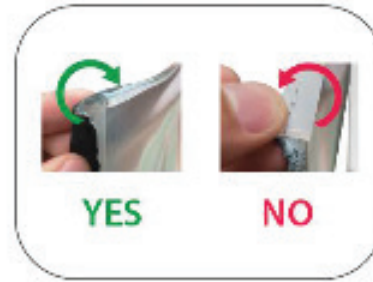
INSTRUCTIONS



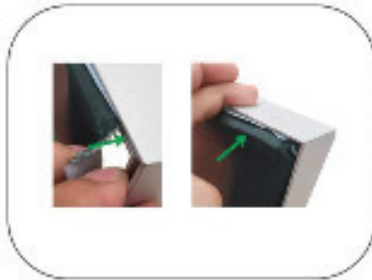
Place graphic over the front of the frame.



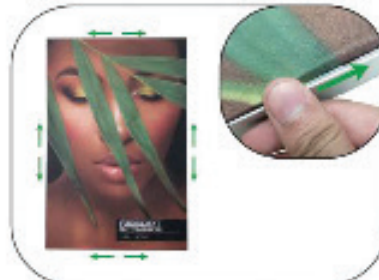
Begin inserting SEG beading at each corner.



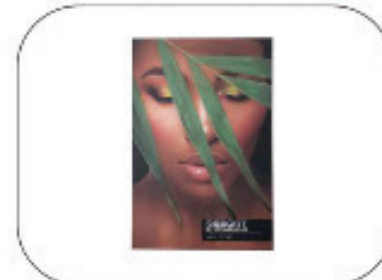
Insert the silicone beading with the fabric folded over. The silicone beading should not be exposed.



Using your fingers, push both fabric and silicone beading completely into the extrusions channel.



Continue to push in the remaining silicone beading on each side.



Check the perimeter of the frame for any excess beading that hasn't been pushed in. Graphic should be taut.