

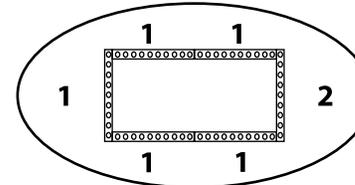
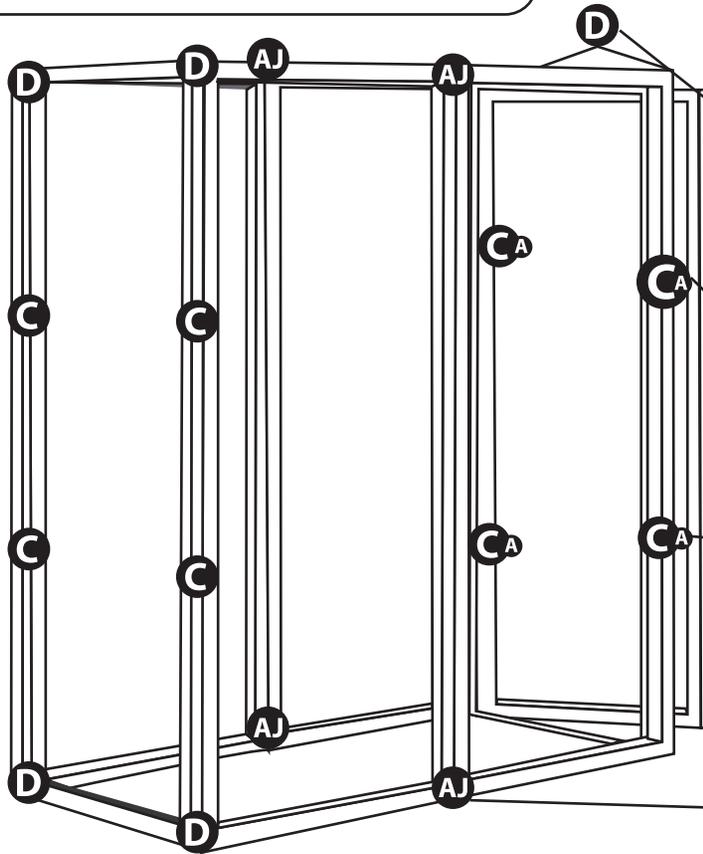
MODCO 11 - 20 x 10



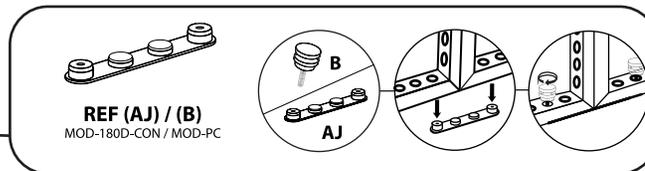
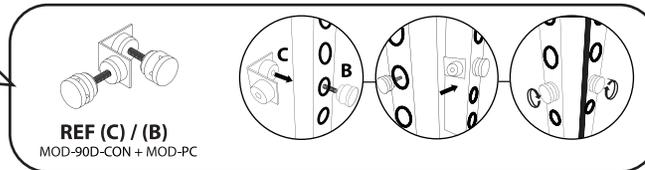
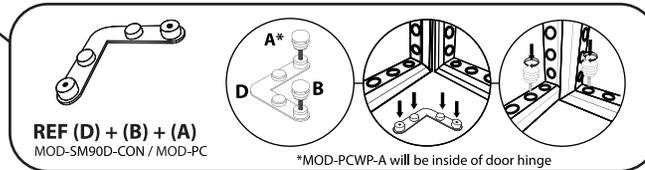
MODCO 11 - 20 x 10

- Use REF column to reference parts. Reference "Birds eye view" for footprint orientation.

Part 1 of 3



Birds eye view

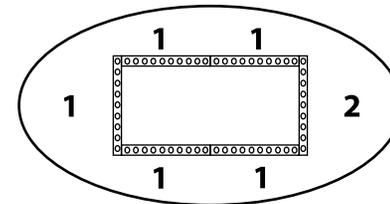
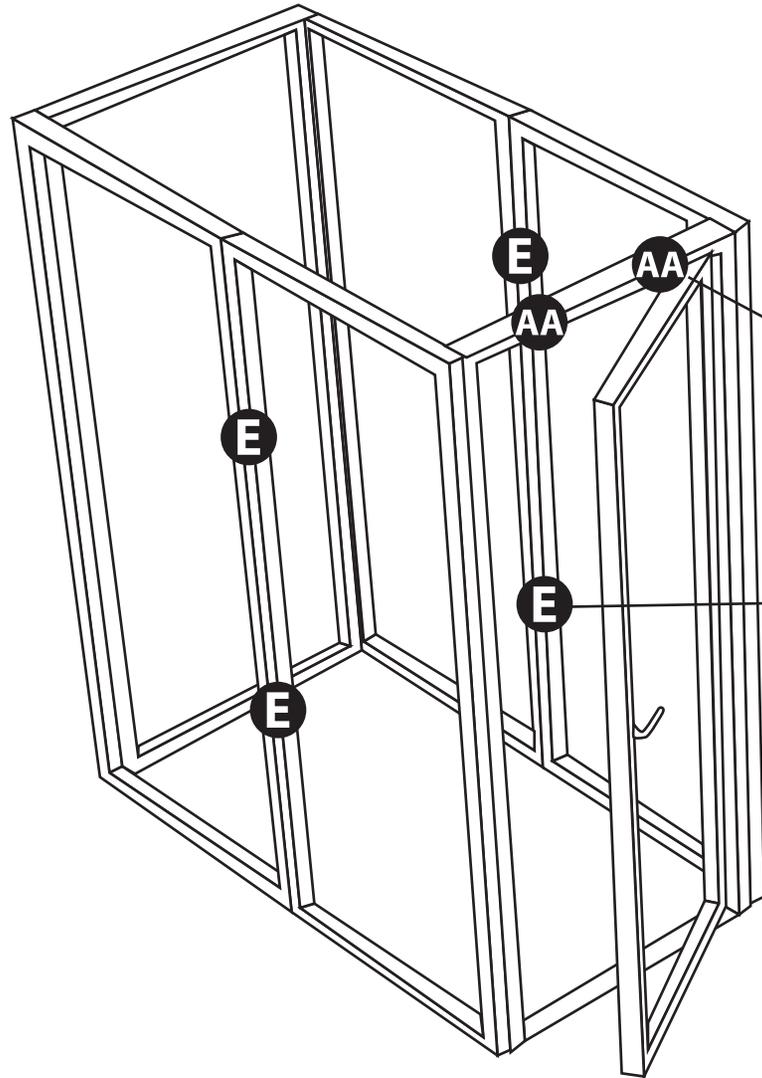


PARTS LIST (TOWER)

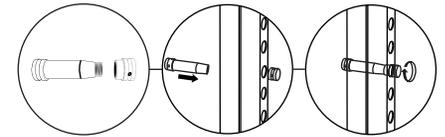
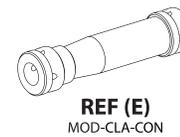
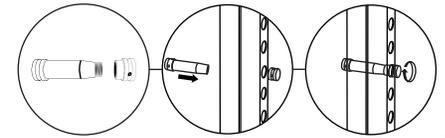
| REF | QTY | PART NO. | DESCRIPTION |
|-----|-----|-------------------|---|
| 1 | 11 | MOD-FRM-992x2418 | Straight Frame, Corner Screw Connect 992mm x 2418mm |
| 2 | 1 | MOD-DSWL-992x2418 | Door Set w/ Lock 992mm x 2418mm |
| A | 4 | MOD-PCWP-A | Pin Connector for Door Jamb |
| B | 48 | MOD-PC | Pin Connector |
| C | 16 | MOD-90D-CON | 90° Connector |
| D | 6 | MOD-SM90D-CON | 90° Connector |
| E | 18 | MOD-CLA-CON | Clamp Connector |
| AJ | 4 | MOD-180D-CON | 180 Degree Connector |
| AA | 2 | MOD-DCC-180D | Door Clamp Connector, 180 Degrees (Connect to Wall Frame) |

MODCO 11 - 20 x 10

- Use REF column to reference parts. Reference "Birds eye view" for footprint orientation.
Part 2 of 3

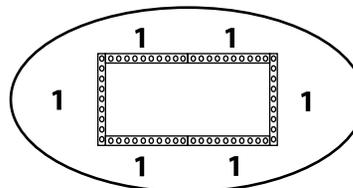
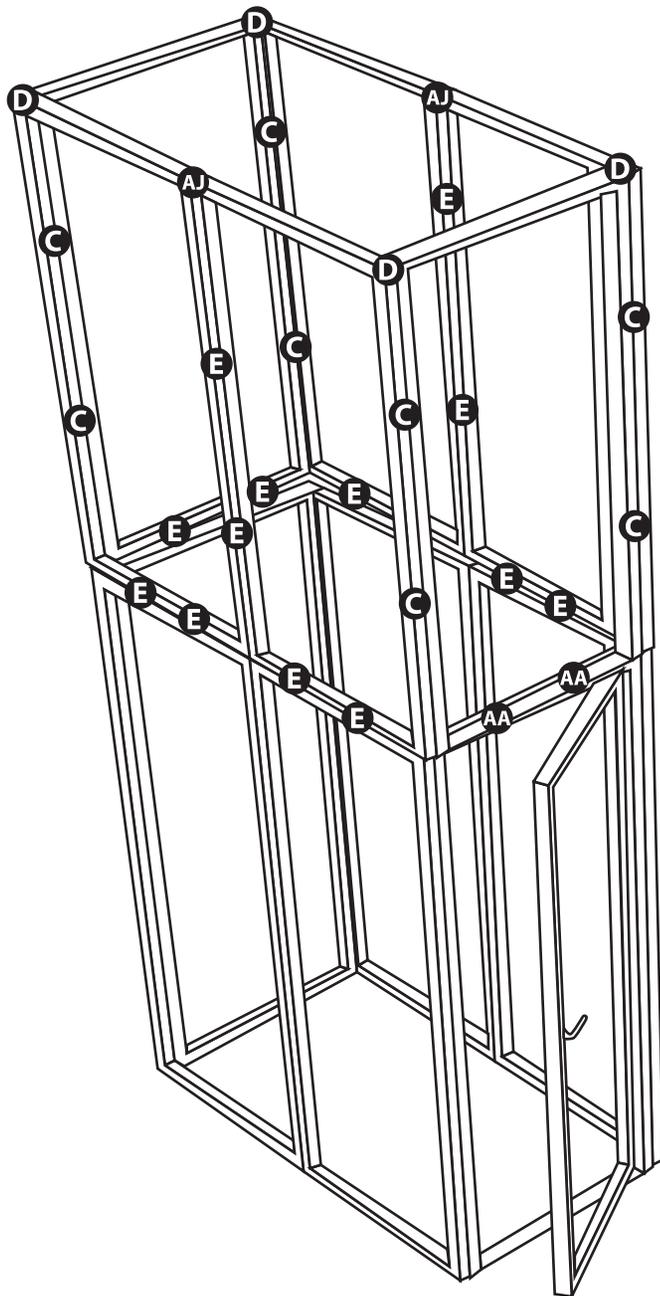


Birds eye view



MODCO 11 - 20 x 10

- Use REF column to reference parts. Reference "Birds eye view" for footprint orientation.
Part 3 of 3 - Second floor of tower.



Birds eye view

REF (D) + (B) + (A)
MOD-SM90D-CON / MOD-PC

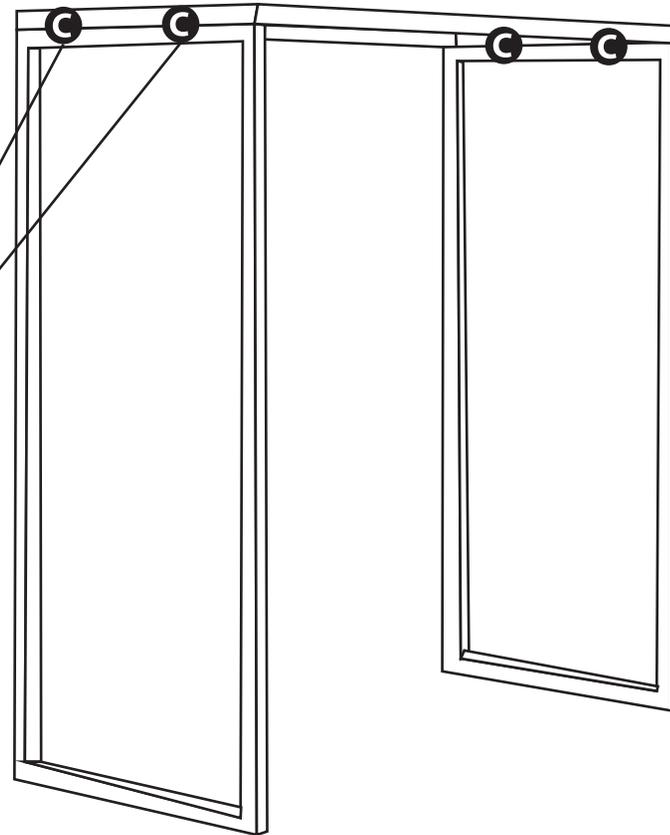
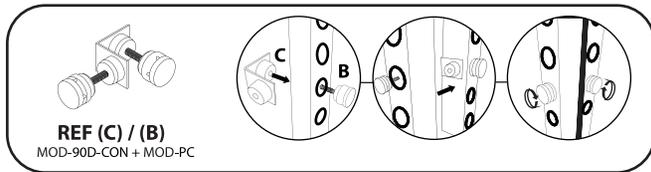
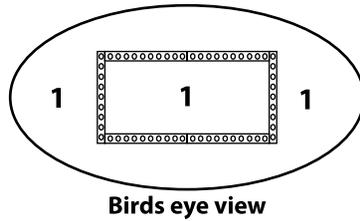
*MOD-PCWP-A will be inside of door hinge

REF (C) / (B)
MOD-90D-CON + MOD-PC

REF (AJ) / (B)
MOD-180D-CON / MOD-PC

MODCO 11 - 20 x 10

- Use REF column to reference parts. Reference "Birds eye view" for footprint orientation.
Part 1 of 3 - Bridge (3 frames)

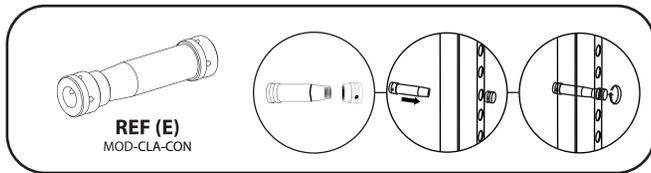
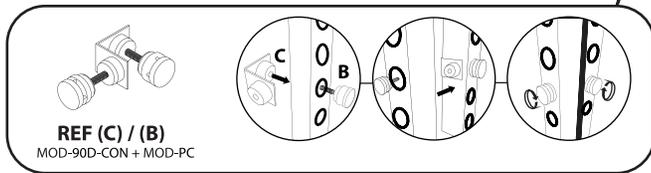
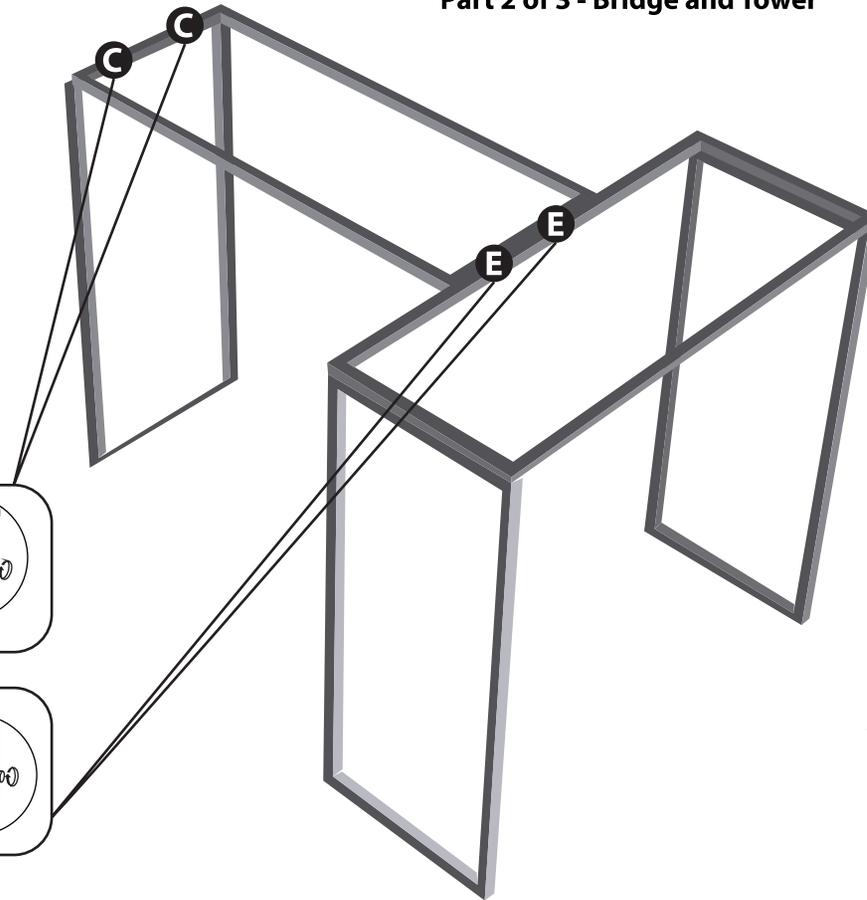


PARTS LIST (BRIDGE & COUNTERS)

| REF | QTY | PART NO. | DESCRIPTION |
|-----|-----|------------------|---|
| 1 | 2 | MOD-FRM-992x2418 | Straight Frame, Corner Screw Connect 992mm x 2418mm |
| 11 | 2 | MOD-FRM-992x2480 | Straight Frame, Corner Screw Connect 992mm x 2480mm |
| 5 | 4 | MOD-FRM-992x992 | Straight Frame, Corner Screw Connect 992mm x 992mm |
| 6 | 4 | MOD-FRM-310x992 | Straight Frame, Corner Screw Connect 310mm x 992mm |
| B | 44 | MOD-PC | Pin Connector |
| C | 2 | MOD-90D-CON | 90° Connector |
| D | 20 | MOD-SM90D-CON | 90° Connector |
| E | 2 | MOD-CLA-CON | Clamp Connector |

MODCO 11 - 20 x 10

- Use REF column to reference parts. Reference "Birds eye view" for footprint orientation.
Part 2 of 3 - Bridge and Tower

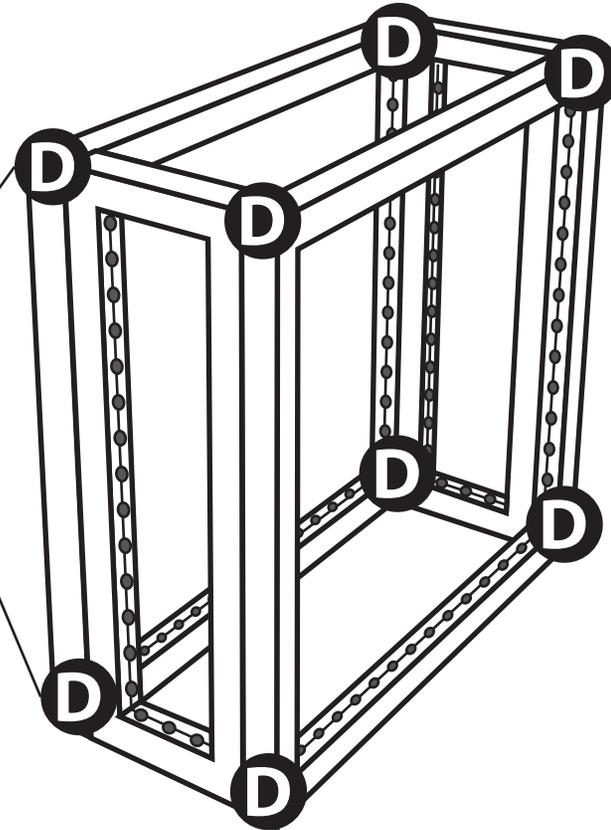
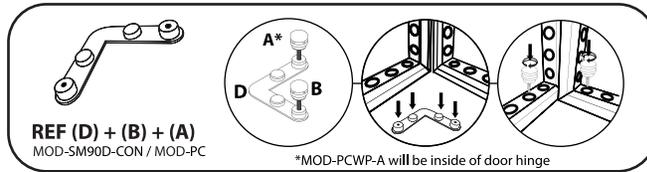


PARTS LIST (BRIDGE & COUNTERS)

| REF | QTY | PART NO. | DESCRIPTION |
|-----|-----|------------------|---|
| 1 | 2 | MOD-FRM-992x2418 | Straight Frame, Corner Screw Connect 992mm x 2418mm |
| 11 | 2 | MOD-FRM-992x2480 | Straight Frame, Corner Screw Connect 992mm x 2480mm |
| 5 | 4 | MOD-FRM-992x992 | Straight Frame, Corner Screw Connect 992mm x 992mm |
| 6 | 4 | MOD-FRM-310x992 | Straight Frame, Corner Screw Connect 310mm x 992mm |
| B | 44 | MOD-PC | Pin Connector |
| C | 2 | MOD-90D-CON | 90° Connector |
| D | 20 | MOD-SM90D-CON | 90° Connector |
| E | 2 | MOD-CLA-CON | Clamp Connector |

MODCO 11 - 20 x 10

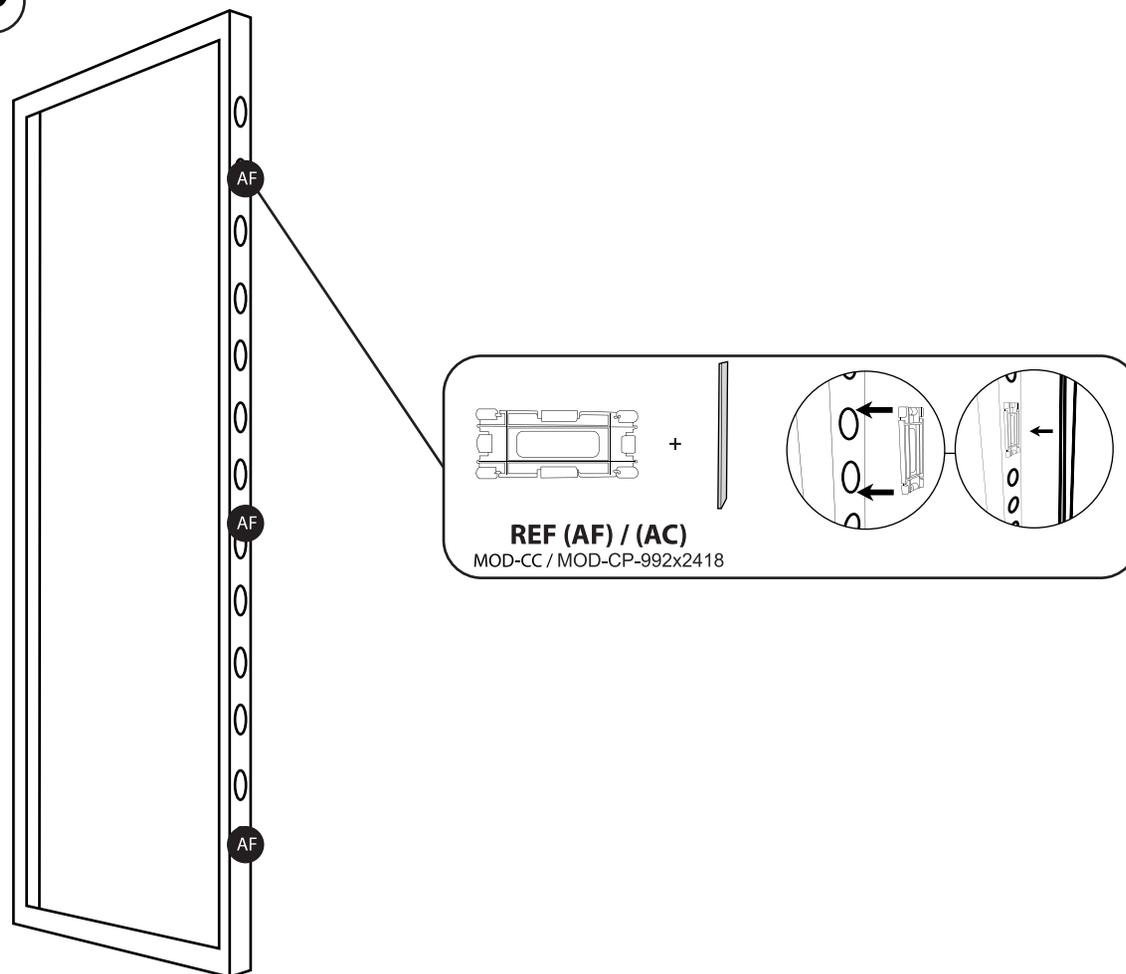
- Use REF column to reference parts. Reference "Birds eye view" for footprint orientation.
Part 3 of 3 - Counters



PARTS LIST (BRIDGE & COUNTERS)

| REF | QTY | PART NO. | DESCRIPTION |
|-----|-----|------------------|---|
| 1 | 2 | MOD-FRM-992x2418 | Straight Frame, Corner Screw Connect 992mm x 2418mm |
| 11 | 2 | MOD-FRM-992x2480 | Straight Frame, Corner Screw Connect 992mm x 2480mm |
| 5 | 4 | MOD-FRM-992x992 | Straight Frame, Corner Screw Connect 992mm x 992mm |
| 6 | 4 | MOD-FRM-310x992 | Straight Frame, Corner Screw Connect 310mm x 992mm |
| B | 44 | MOD-PC | Pin Connector |
| C | 2 | MOD-90D-CON | 90° Connector |
| D | 20 | MOD-SM90D-CON | 90° Connector |
| E | 2 | MOD-CLA-CON | Clamp Connector |

MODCO 11 - 20 x 10



REF (AF) / (AC)
MOD-CC / MOD-CP-992x2418

COVER PROFILES & ACCESSORIES

| REF | QTY | PART NO. | DESCRIPTION |
|-----|------|-----------------|---|
| AC | 12 | MOD-CP-992x2418 | Cover Profile for Frame 992x2418. Flat Model. Anodized |
| AD | 3 | MOD-CP-992x2480 | Cover Profile for Frame 992x2480. Flat Model. Anodized |
| AE | 3.68 | MOD-CP-3100 | Cover Profile, Bar Per 3100mm Cover Profile. Flat Model. Anodized |
| AF | 69 | MOD-CC | Clip Connector Cover Connects Cover Profile |
| AL | 96 | MOD-FP | Modco Frame Protector |
| | 1 | MX-CRATE-F | Wooden Crate of L 104",W 44",H 54" made in Mexico |

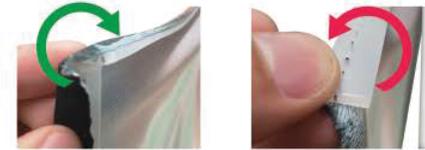
GRAPHIC INSTALL



Place graphic over the front of the frame.



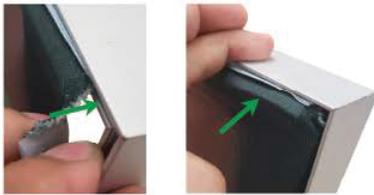
Begin inserting SEG beading at each corner.



YES

NO

Insert the silicone beading with the fabric folded over. The silicone beading should not be exposed.



Using your fingers, push both fabric and silicone beading completely into the extrusions channel.



Continue to push in the remaining silicone beading on each side.



Check the perimeter of the frame for any excess beading that hasn't been pushed in. Graphic should be taut.