

SEGO 100X225

SEGO MODULAR LIGHTBOX
PRODUCT CODE: SEGO-100X225



On frame On graphic



TOOL FREE ASSEMBLY



MAGNETIC WIRE CONNECTION



CLEAN CABLE MANAGEMENT



TOOL FREE FOOT CONNECTION

PRODUCT DESCRIPTION

The advanced technology of the new SEGO modular lightbox system combines innovation with intuition. Toolless down to its feet, SEGO is designed to help heighten your display experience. Magnetic electrical connectors light up the UL certified LED lights that come pre-installed in the profiles. Electrical wires stay hidden from view. Edge-to-edge customizable SEG backlit fabric graphics cover the front and back of the aluminum frame. Portable, configurable, desirable, SEGO is a lightbox unlike the others. SEGO is so well thought out, even its durable foam cut carry bag is made distinctly to keep all parts and pieces protected and organized.

DISPLAY DIMENSIONS	39"W x 88.25"H x 16.5"D
GRAPHIC SIZE	39.75"W x 88.625"H

GRAPHIC MATERIAL

Dye Sub Backlit Fabric

GRAPHIC FINISHING

Silicone beading sewn onto edge of graphic

DISPLAY CONSTRUCTION

Aluminum extrusion frame with plastic components

SHIPPING WEIGHTS & DIMENSIONS

Shipping Weight	30 lbs (frame only) 32 lbs (frame & graphic)
Shipping Dimensions	54.5"W x 15.5"H x 6.75"D

GRAPHIC TURN AROUND TIME

2 business days after proof approval (up to 6 sets)

AVAILABILITY	CA
--------------	----

LED LIGHT SPECIFICATION

BRAND	Osram
POWER	3W
CCT (COLOR TEMP)	6800k
AVERAGE BEAM ANGEL	20°
LM/W	130
AVG LM/M ²	4800-5800
VOLTAGE INPUT	24V

LUMENS

VOLTAGE (V)	24
POWER (W)	90
LM/W	130
TOTAL LM	11700
AVG LM	5850
CU	.8
EAV	4680

TRANSFORMER SPECIFICATION

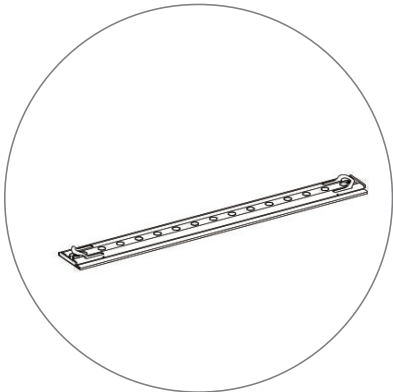
POWER RATE 2 TRANSFORMERS	95W, 252W
CERTIFICATES	UL, CE, GEM
VOLTAGE INPUT	100-240V
VOLTAGE OUTPUT	24V

SEGO 100X225

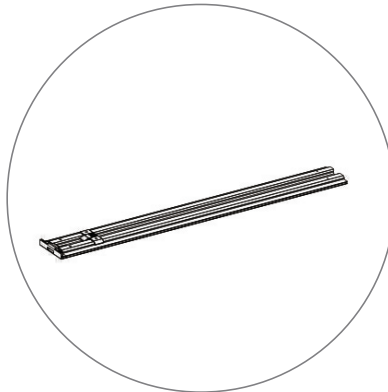
SEGO MODULAR LIGHTBOX

PRODUCT CODE: SEGO-100X225

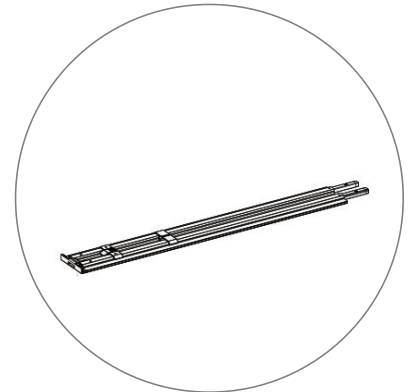
PARTS LIST



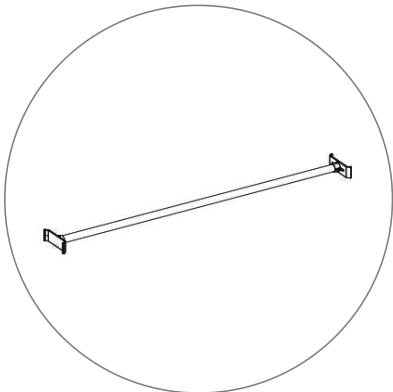
(qty 2)
Horizontal Profile



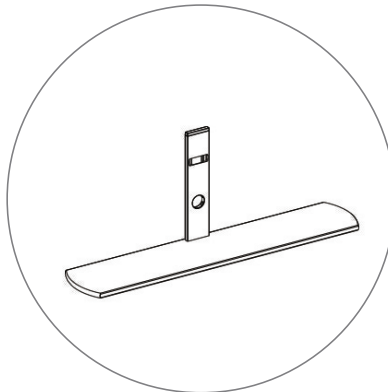
(qty 2)
Vertical Profile Top



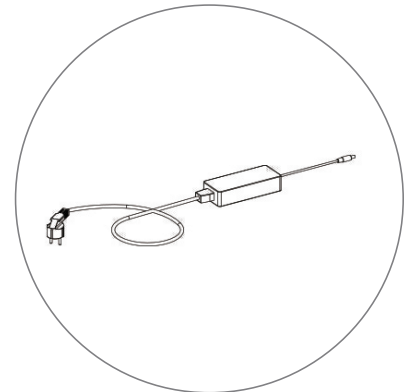
(qty 2)
Vertical Profile Bottom



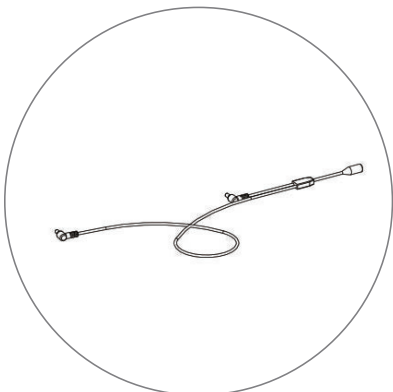
(qty 1)
Mid Pole



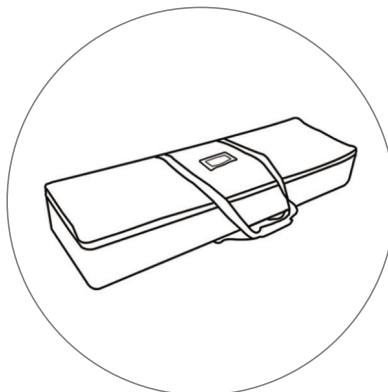
(qty 2)
Feet



(qty 1)
Transformer



(qty 1)
Y Cable



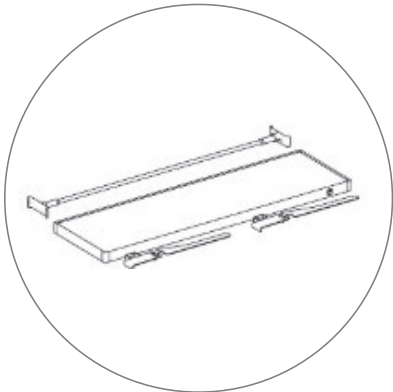
(qty 1)
Travel Bag

SEGO 100X225

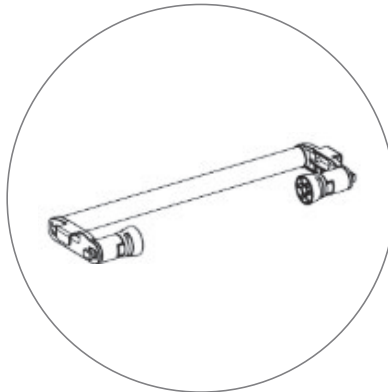
SEGO MODULAR LIGHTBOX DISPLAY

PRODUCT CODE: SEGO-100X225

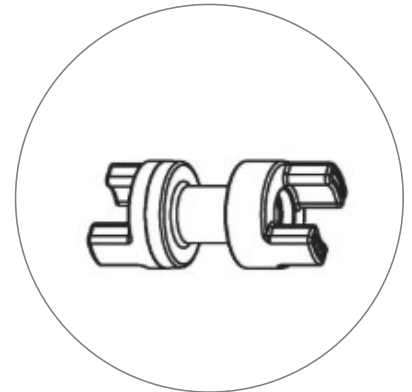
AVAILABLE ACCESSORIES



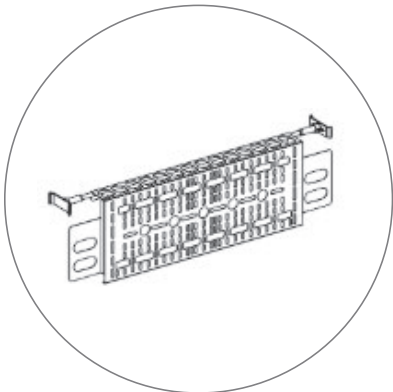
SEGO-SKIT
SEGO Shelf Kit



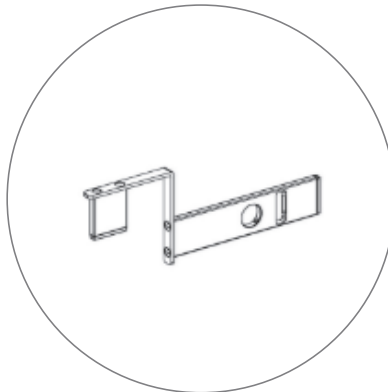
SEGO-HP
SEGO Hanging Pole for
Shelf Kit



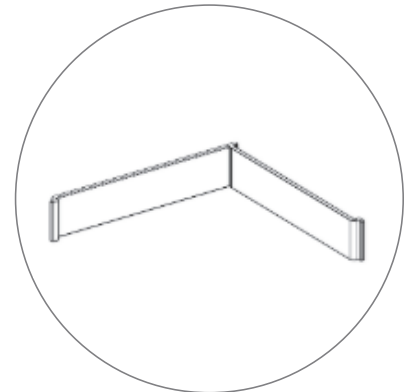
SEGO-SCON
SEGO Straight Connector



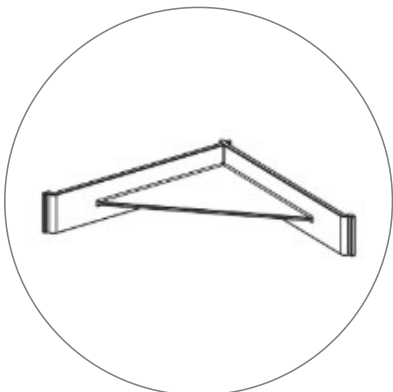
SEGO-MM
SEGO Monitor Mount



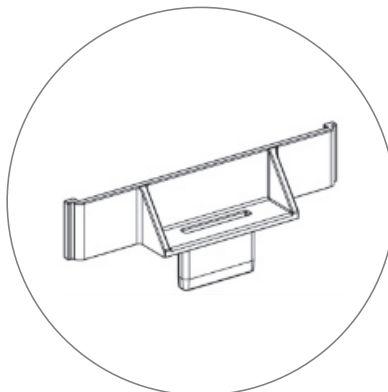
SEGO-BC
SEGO Bridge Connector



SEGO-ILCON
SEGO L Connector Inside

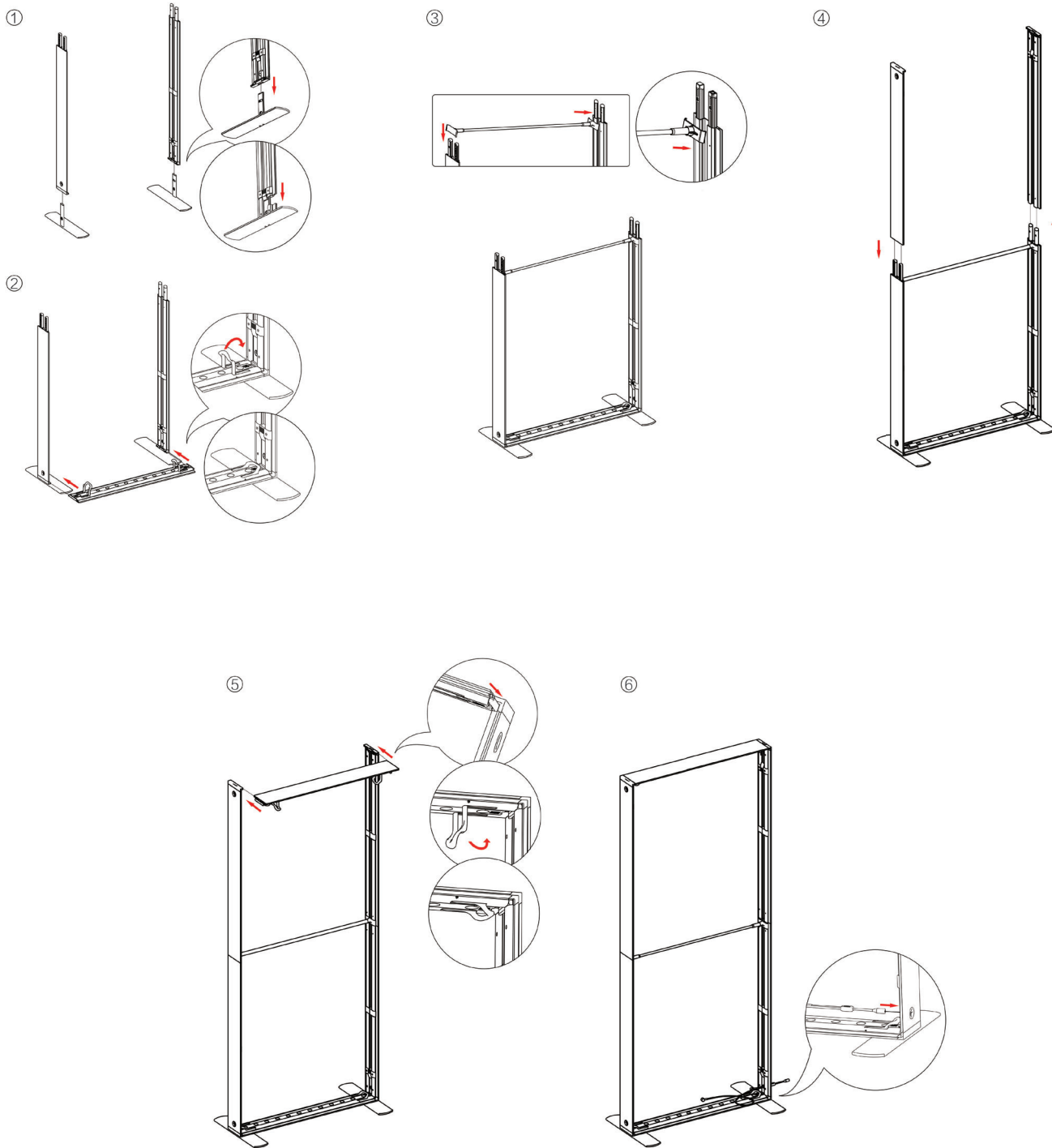


SEGO-OLCON
SEGO L Connector Outside



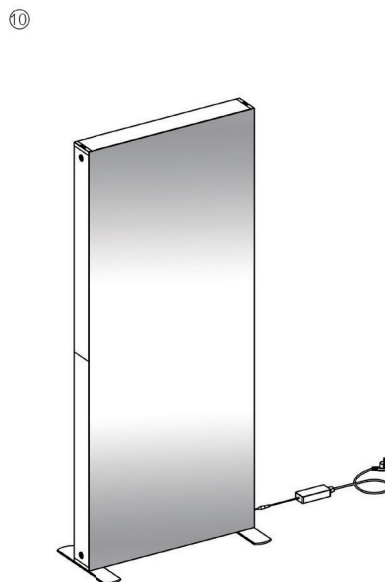
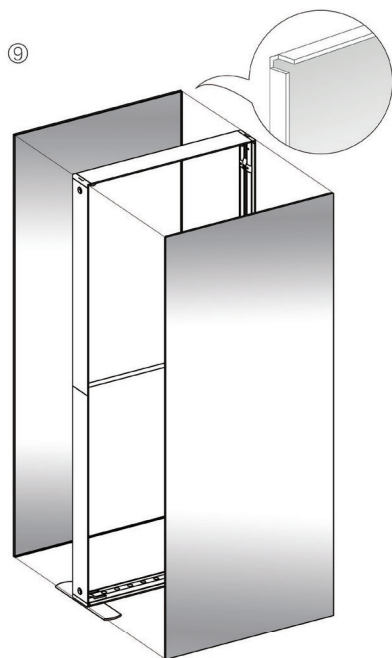
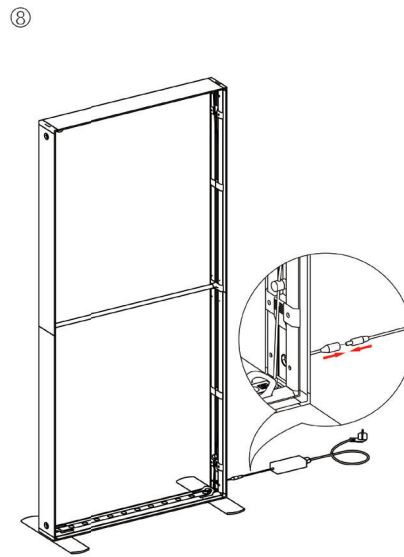
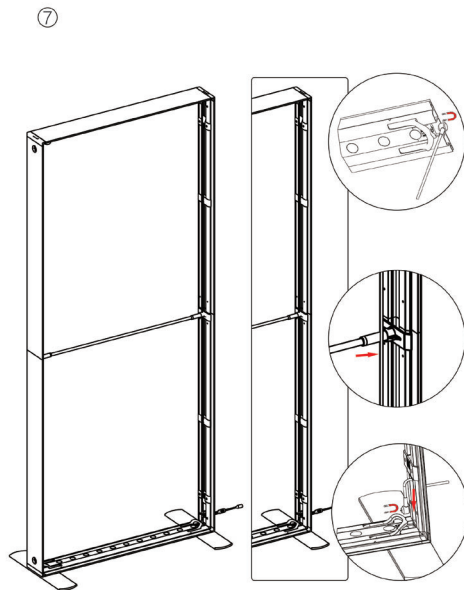
SEGO-HLCON
SEGO High-low Connector

SET UP INSTRUCTIONS



SEGO 100X225

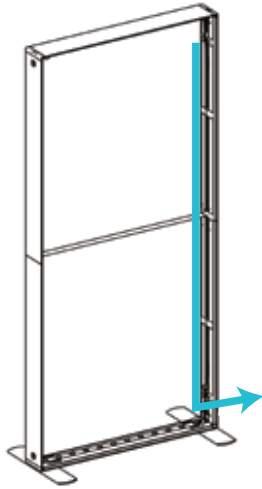
SEGO MODULAR LIGHTBOX DISPLAY
PRODUCT CODE: SEGO-100X225



3.3 X 7.4FT. SEGO MODULAR LIGHTBOX DISPLAY

SEGO MODULAR LIGHTBOX DISPLAY
PRODUCT CODE: SEGO-100X225

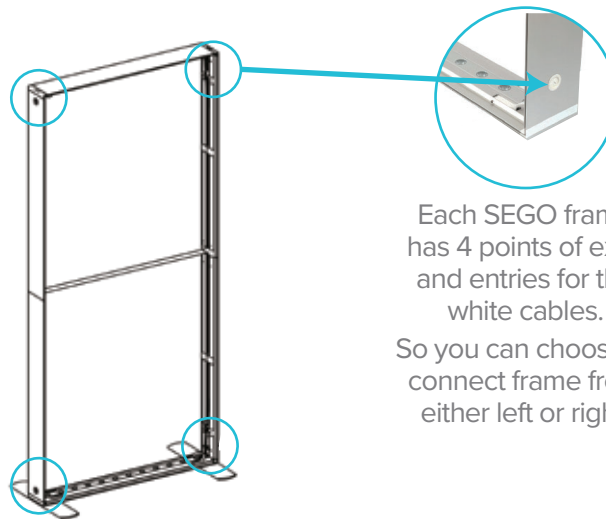
INSIDE WIRING



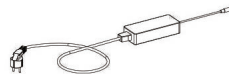
Close Ups



Y-Cable



Each SEGO frame has 4 points of exits and entries for the white cables. So you can choose to connect frame from either left or right.



Finally Connect Y-Cable to transformer

close up



3.3 X 7.4FT. SEGO will need (1) Small transformer - 96 watts