

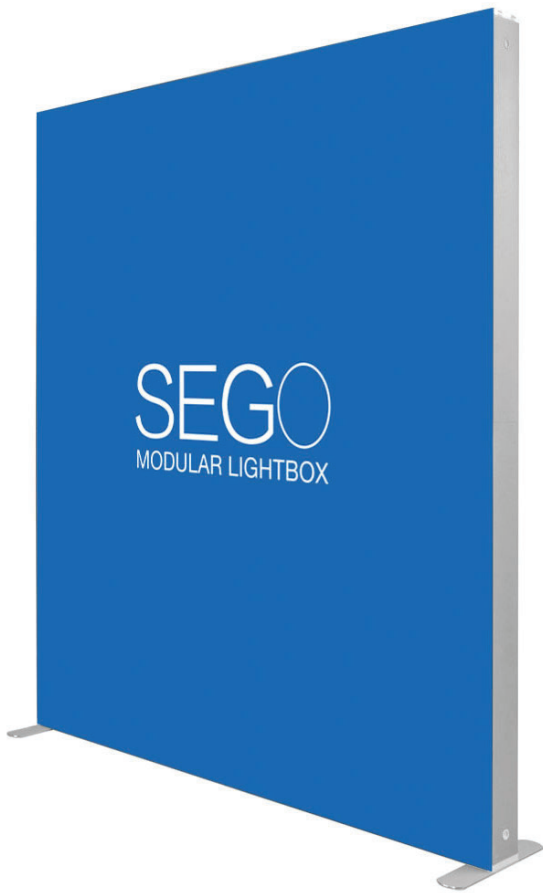
SEGO 200X225

SEGO MODULAR LIGHTBOX DISPLAY

PRODUCT CODE: SEGO-200X225



On frame On graphic



PRODUCT DESCRIPTION

The advanced technology of the new SEGO modular lightbox system combines innovation with intuition. Toolless down to its feet, SEGO is designed to help heighten your display experience. Magnetic electrical connectors light up the UL certified LED lights that come pre-installed in the profiles. Electrical wires stay hidden from view. Edge-to-edge customizable SEG backlit fabric graphics cover the front and back of the aluminum frame. Portable, configurable, desirable, SEGO is a lightbox unlike the others. SEGO is so well thought out, even its durable foam cut carry bag is made distinctly to keep all parts and pieces protected and organized.

DISPLAY DIMENSIONS	78.375"W x 88.25"H x 16.5"D
GRAPHIC SIZE	78.125"W x 88.625"H

GRAPHIC MATERIAL

Dye Sub Backlit Fabric

GRAPHIC FINISHING

Silicone beading sewn onto edge of graphic

DISPLAY CONSTRUCTION

Aluminum extrusion frame with plastic components

SHIPPING WEIGHTS & DIMENSIONS

Shipping Weight (Each Box - 2 boxes total)	34 lbs (frame only) 37 lbs (frame & graphic)
Shipping Dimensions	54.5"W x 15.5"H x 6.75"D (each)

GRAPHIC TURN AROUND TIME

2 business days after proof approval (up to 6 sets)

AVAILABILITY	CA
--------------	----

LED LIGHT SPECIFICATION

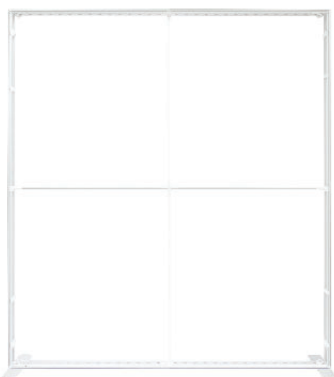
BRAND	Osram
POWER	3W
CCT (COLOR TEMP)	6800k
AVERAGE BEAM ANGEL	20°
LM/W	130
AVG LM/M ²	4800-5800
VOLTAGE INPUT	24V

LUMENS

VOLTAGE (V)	24
POWER (W)	180
LM/W	130
TOTAL LM	23400
AVG LM	5850
CU	.8
EAV	4680

TRANSFORMER SPECIFICATION

POWER RATE 2 TRANSFORMERS	95W, 252W
CERTIFICATES	UL, CE, GEM
VOLTAGE INPUT	100-240V
VOLTAGE OUTPUT	24V



SUPPORT CONNECTION



TOOL FREE ASSEMBLY



MAGNETIC WIRE CONNECTION



CLEAN CABLE MANAGEMENT



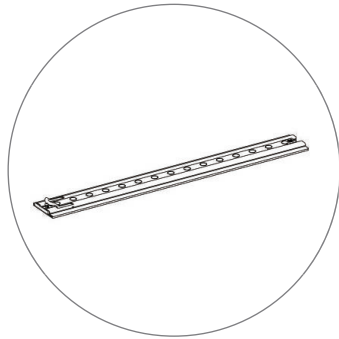
TOOL FREE FOOT CONNECTION

SEGO 200X225

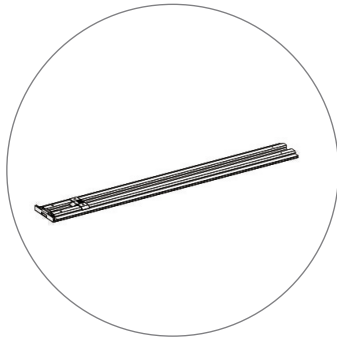
SEGO MODULAR LIGHTBOX DISPLAY

PRODUCT CODE: SEGO-200X225

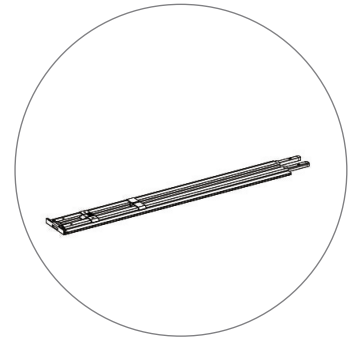
PARTS LIST



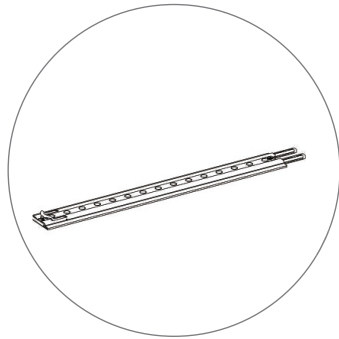
(qty 2)
Horizontal Profile L



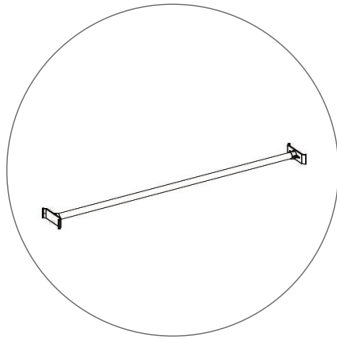
(qty 2)
Vertical Profile Top



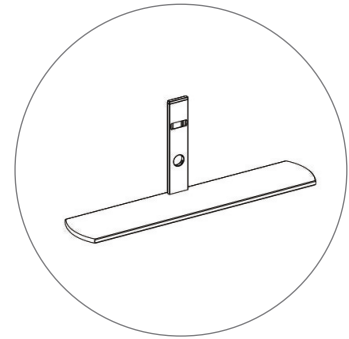
(qty 2)
Vertical Profile Bottom



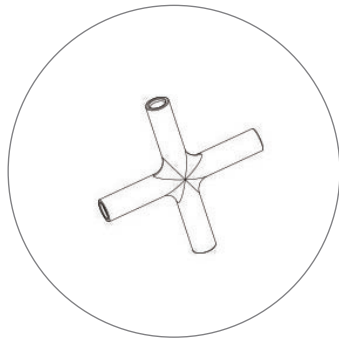
(qty 2)
Horizontal Profile R



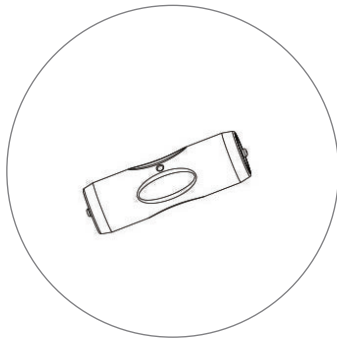
(qty 4)
Mid Pole



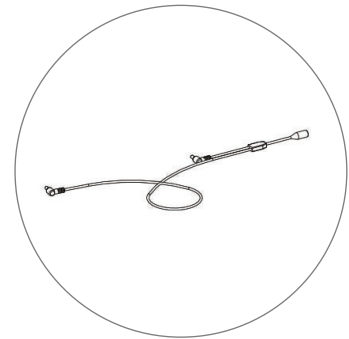
(qty 2)
Feet



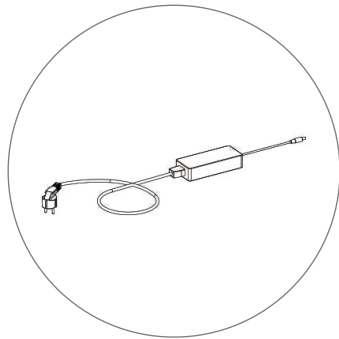
(qty 1)
MP Cross



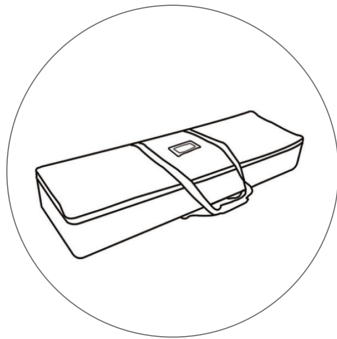
(qty 2)
LED Connector



(qty 1)
Y Cable



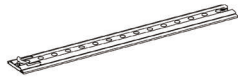
(qty 1)
Transformer



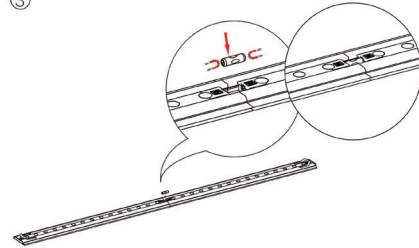
(qty 2)
Travel Bag

SET UP INSTRUCTIONS

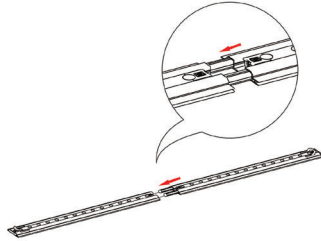
①



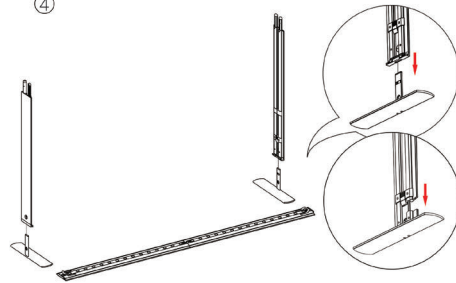
③



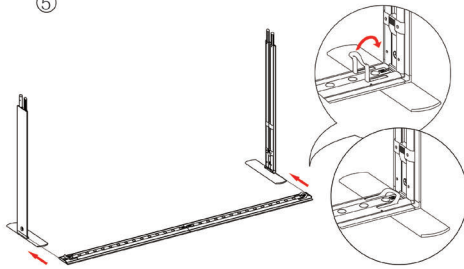
②



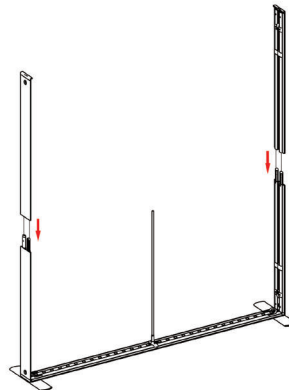
④



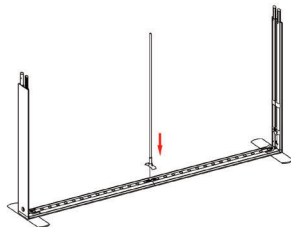
⑤



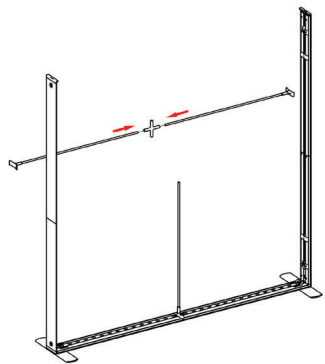
⑦



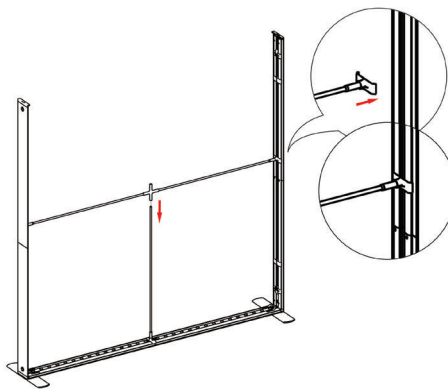
⑥



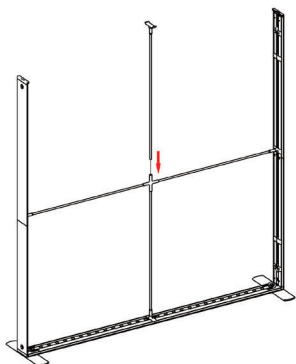
⑧



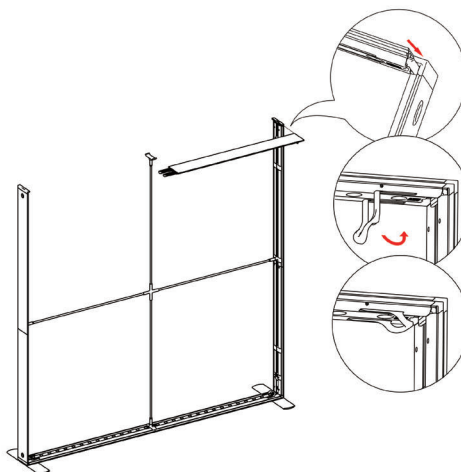
⑨



⑩



⑪

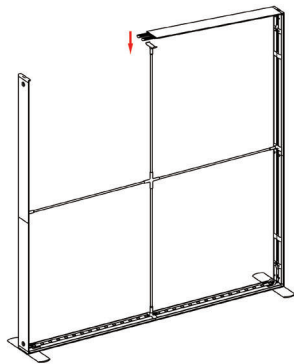


SEGO 200X225

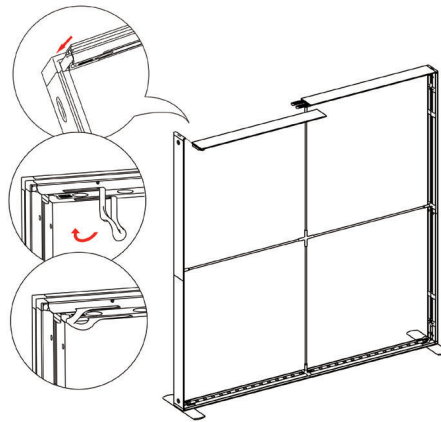
SEGO MODULAR LIGHTBOX DISPLAY

PRODUCT CODE: SEGO-200X225

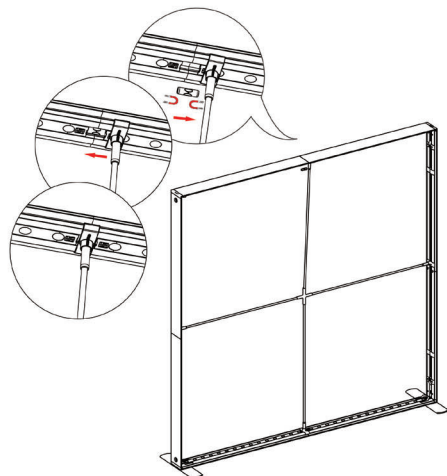
12



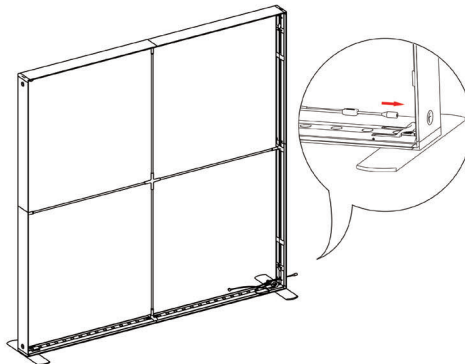
13



14

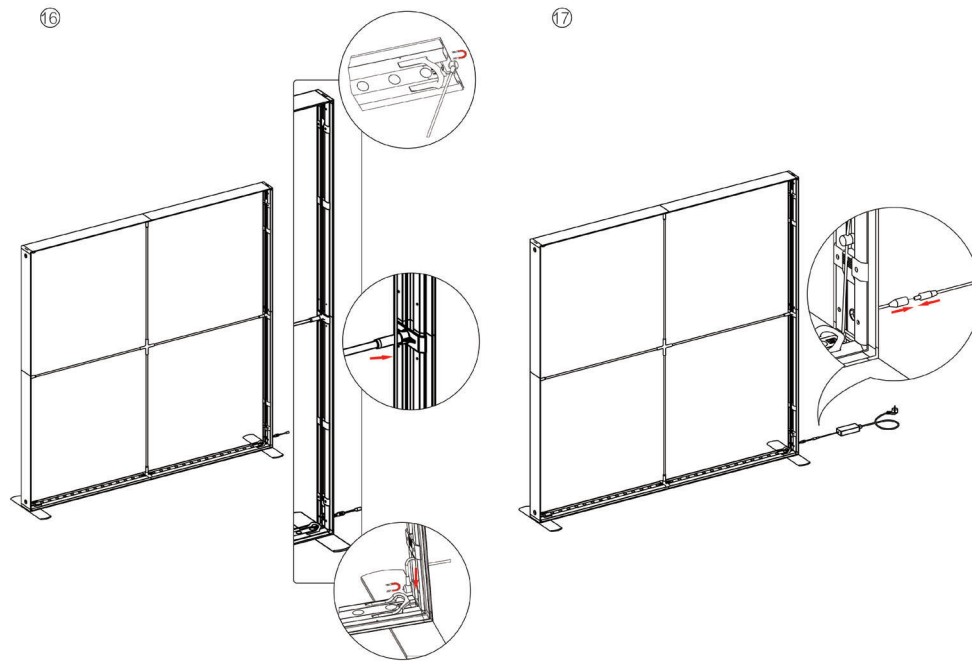


15



SEGO 200X225

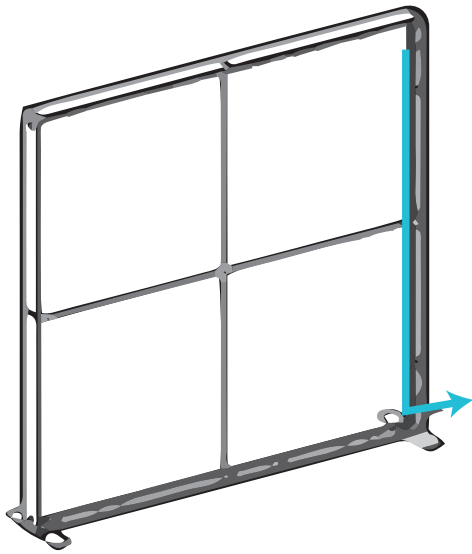
SEGO MODULAR LIGHTBOX DISPLAY
PRODUCT CODE: SEGO-200X225



6.5 X 7.4FT. SEGO MODULAR LIGHTBOX DISPLAY

SEGO MODULAR LIGHTBOX DISPLAY
PRODUCT CODE: SEGO-200X225

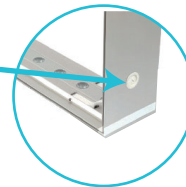
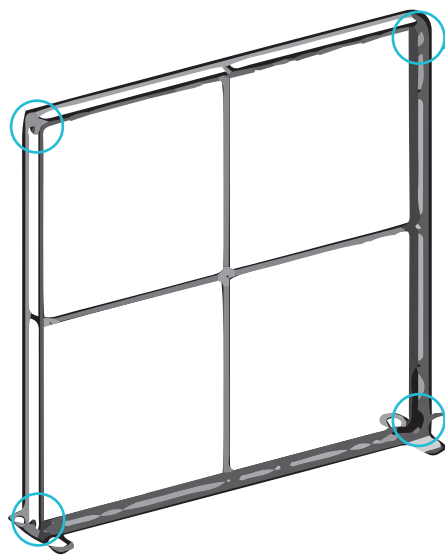
INSIDE WIRING



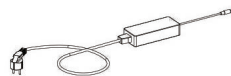
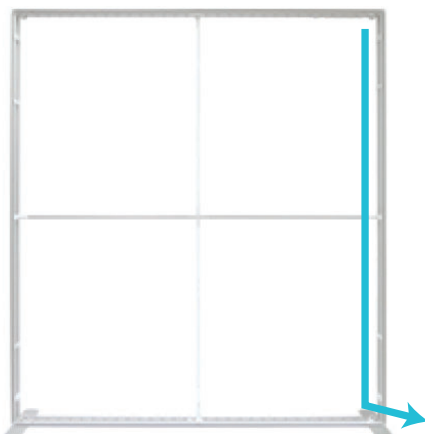
Close Ups



Y-Cable



Each SEGO frame has 4 points of exits and entries for the white cables. So you can choose to connect frame from either left or right.



Finally Connect Y-Cable to transformer

close up



6.5 X 7.4FT. SEGO will need (1) Large transformer - 264 watts