

SEGO COUNTER

SEGO MODULAR LIGHTBOX DISPLAY

PRODUCT CODE: SEGO-CNTR



On frame On graphic



PRODUCT DESCRIPTION

The advanced technology of the new SEGO modular lightbox system combines innovation with intuition. Toolless down to its feet, SEGO is designed to help heighten your display experience. Magnetic electrical connectors light up the UL certified LED lights that come pre-installed in the profiles. Electrical wires stay hidden from view. Edge-to-edge customizable SEG backlit fabric graphics cover the front and back of the aluminum frame. Portable, configurable, desirable, SEGO is a lightbox unlike the others. SEGO is so well thought out, even its durable foam cut carry bag is made distinctly to keep all parts and pieces protected and organized.

DISPLAY DIMENSIONS	39"W x 39"H x 16.5"D
GRAPHIC SIZE	39.625"W x 39.75"H
COUNTER TOP DIMS	40.5" W x 11.75" D x .6"H
COUNTER WEIGHT LIMIT	11 lbs

GRAPHIC MATERIAL

Dye Sub Backlit Fabric

GRAPHIC FINISHING

Silicone beading sewn onto edge of graphic

DISPLAY CONSTRUCTION

Aluminum extrusion frame with plastic components

SHIPPING WEIGHTS & DIMENSIONS

Shipping Weight	28.5 lbs (frame only) 30.5 lbs (frame & graphic)
Shipping Dimensions	45.5"W x 15.5"H x 6.75"D

GRAPHIC TURN AROUND TIME

2 business days after proof approval (up to 6 sets)

AVAILABILITY	CA
--------------	----

LED LIGHT SPECIFICATION		LUMENS	
BRAND	Osram	VOLTAGE (V)	24
POWER	3W	POWER (W)	45
CCT (COLOR TEMP)	6800k	LM/W	130
AVERAGE BEAM ANGEL	20 °	TOTAL LM	5850
LM/W	130	AVG LM	5850
AVG LM/M ²	4800-5800	CU	.8
VOLTAGE INPUT	24V	EAV	4680

TRANSFORMER SPECIFICATION	
POWER RATE 2 TRANSFORMERS	95W, 252W
CERTIFICATES	UL, CE, GEM
VOLTAGE INPUT	100-240V
VOLTAGE OUTPUT	24V



TOOL FREE ASSEMBLY

MAGNETIC WIRE CONNECTION

WOODEN COUNTERTOP

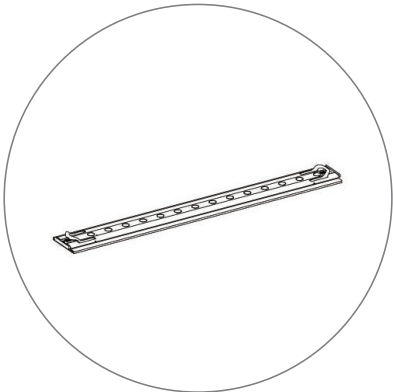
TOOL FREE FOOT CONNECTION

SEGO COUNTER

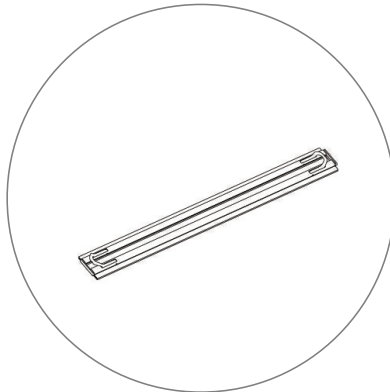
SEGO MODULAR LIGHTBOX DISPLAY

PRODUCT CODE: SEGO-CNTR

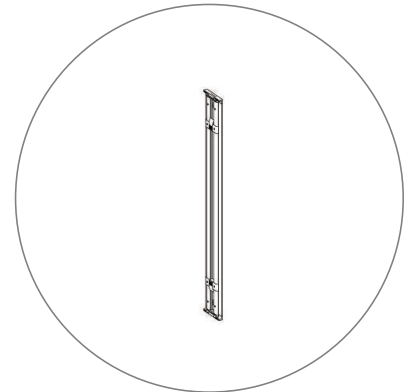
PARTS LIST



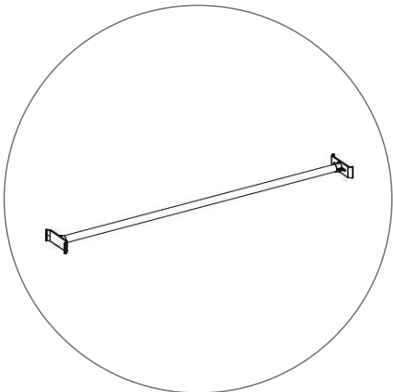
(qty 1)
Horizontal Profile Bottom



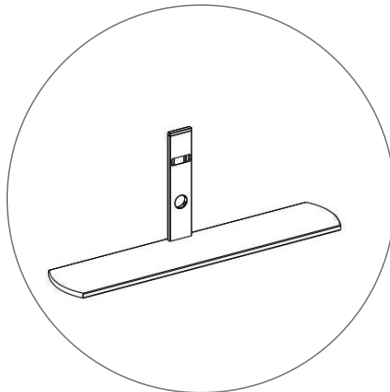
(qty 1)
Horizontal Profile Top



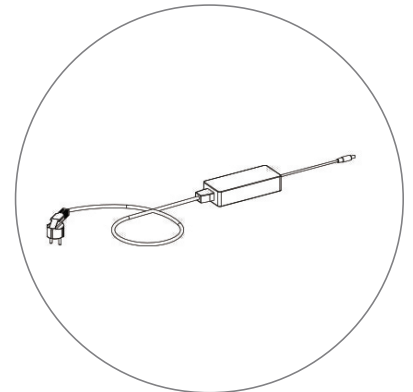
(qty 2)
Vertical Profile



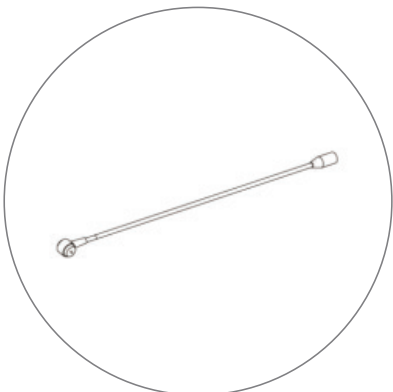
(qty 1)
Mid Pole



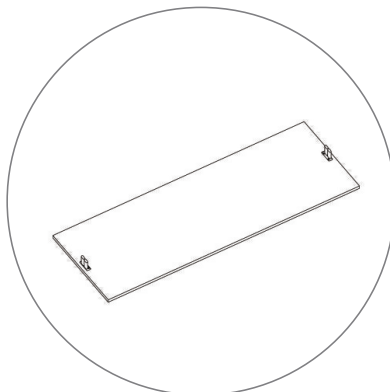
(qty 2)
Feet



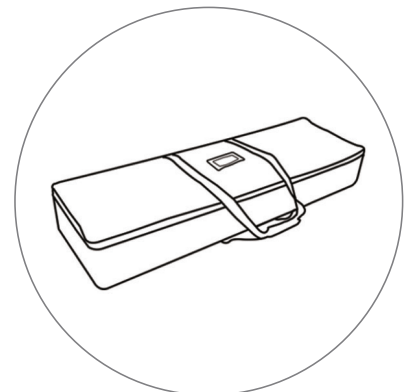
(qty 1)
Transformer



(qty 1)
S Cable



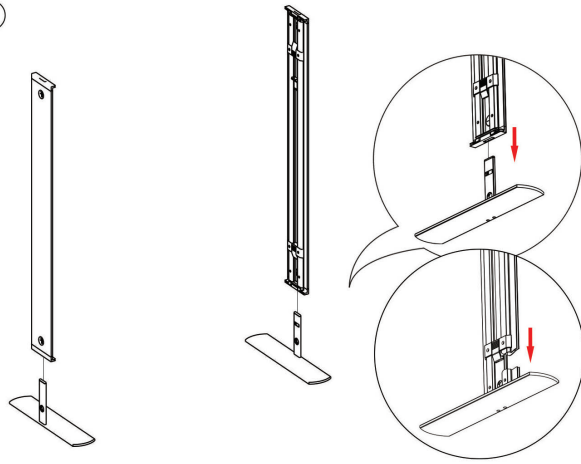
(qty 1)
Counter Top



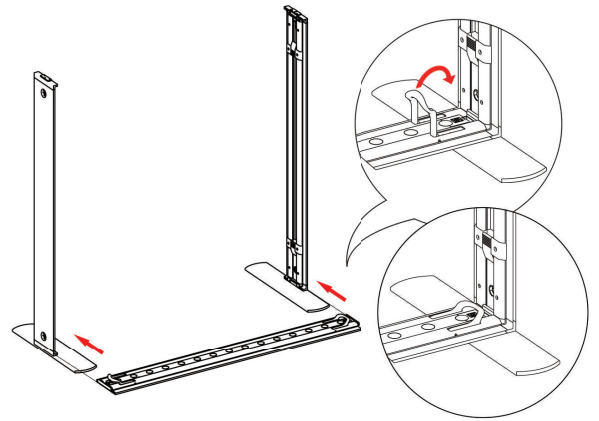
(qty 1)
Travel Bag

SET UP INSTRUCTIONS

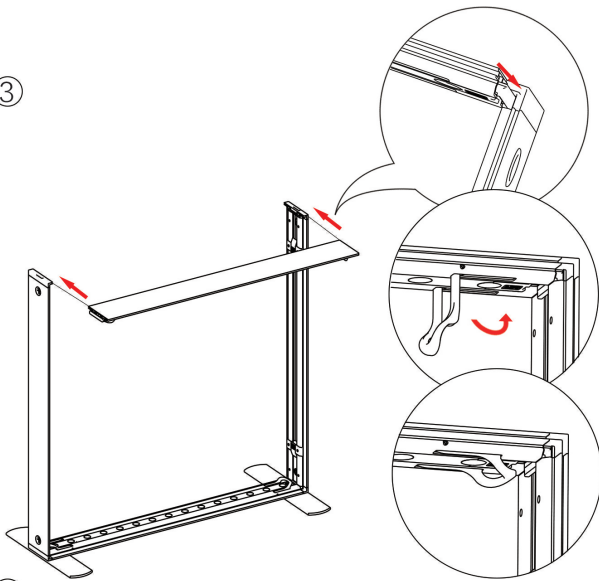
①



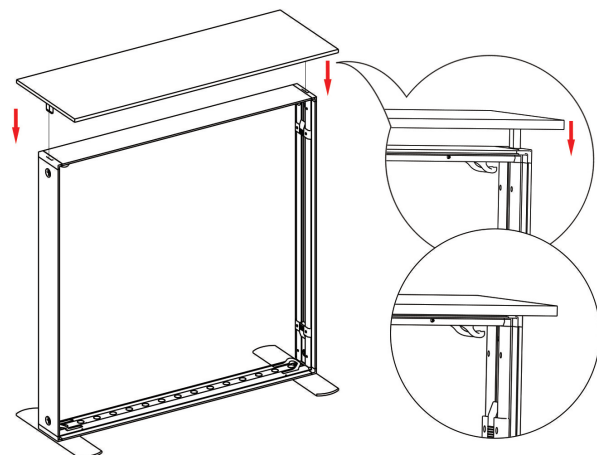
②



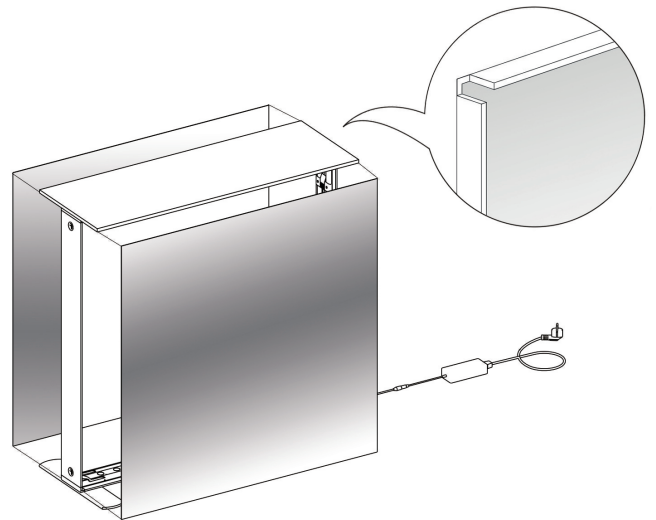
③



④



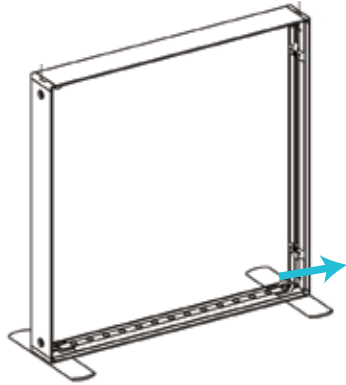
⑤



3.3 X 3.3FT. SEGO MODULAR LIGHTBOX DISPLAY

SEGO MODULAR LIGHTBOX DISPLAY
PRODUCT CODE: SEGO-CNTR

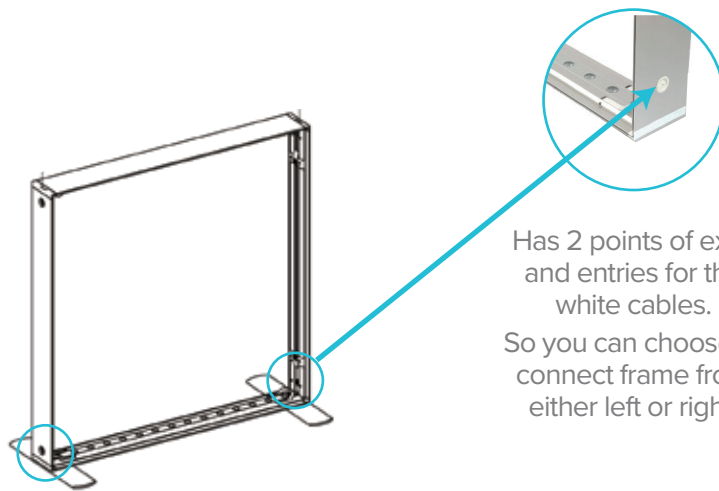
INSIDE WIRING



Close Ups



S-Cable

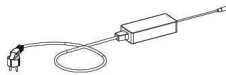


Has 2 points of exits and entries for the white cables.
So you can choose to connect frame from either left or right.



Finally Connect S-Cable to transformer

close up



3.3 X 3.3FT. SEGO will need (1) Small transformer - 96 watts