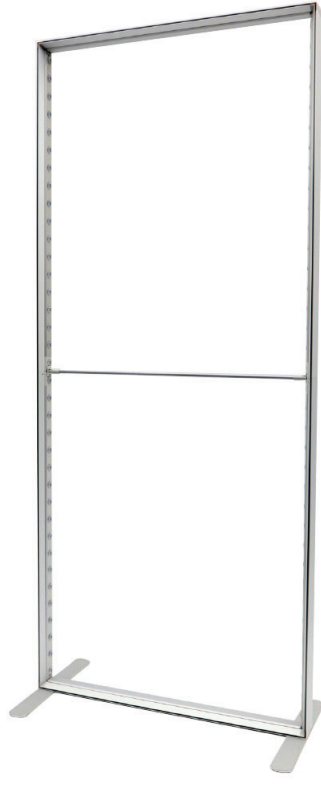


EVERLIGHT - Backlit Double-Sided Lightbox

The latest addition to the JOYDISPLAYS lightbox family. Designed for individual store displays, it offers double-sided graphic capabilities without the modular features of larger counterparts. With a streamlined design and an integrated transformer, the Everlight light box presents a clean appearance, exposing only a single power cable. Included is a padded travel bag with foam inserts for secure storage and transportation. Experience a perfect blend of practicality and sophistication in your store displays with the Everlight.



Dye Sub Backlit Fabric, with dye dublimation printing process.
Silicone beading sewn around the perimeter of graphic.

DISPLAY DIMENSIONS 39.5"W x 79"H x 17"D

GRAPHIC SIZE 40"W x 79.5"H

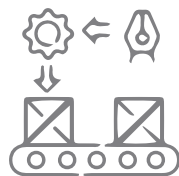
SHIPPING WEIGHT 25 lbs (frame only)
27 lbs (frame & graphic)

SHIPPING DIMENSIONS 44"L x 13"W x 5.5"H



INTEGRATED TRANSFORMER
FOOT DIMENSIONS (3"W X 17 "L)

LED LIGHTS ON LEFT/RIGHT SIDES



4 business days
after proof approval
(up to 6 sets)



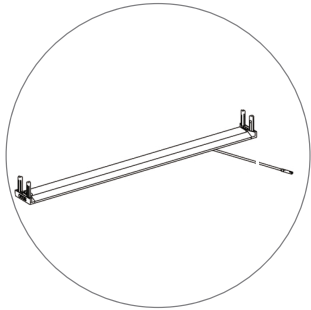
INCLUDES TRAVEL BAG

TRAVEL BAG OPEN

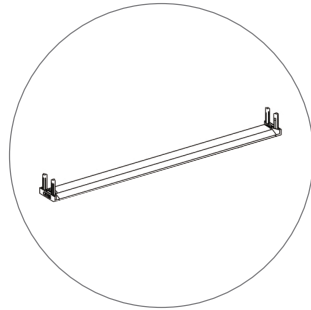
LIGHT INFORMATION		
CCT	6464K	
VOLTAGE (V)	24	
POWER (W)	80	
LM/W	121	
TOTAL LM	9680	
AVG LM	4840	
CU	.8	
EAV	3872	



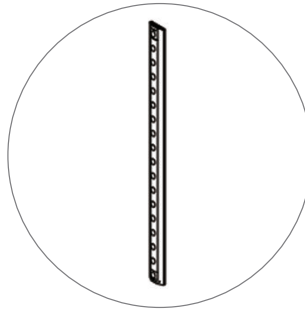
EVERLIGHT - Backlit Double-Sided Lightbox



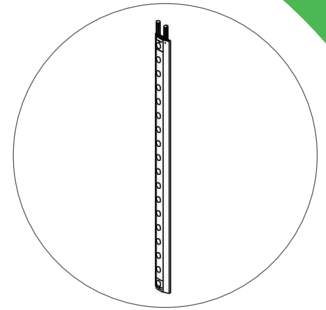
(qty 1)
Horizontal Profile Bottom



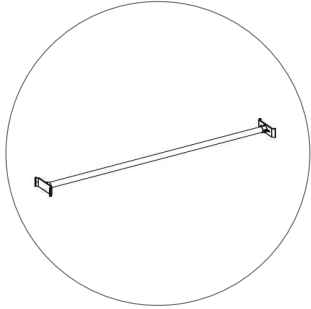
(qty 1)
Horizontal Profile Top



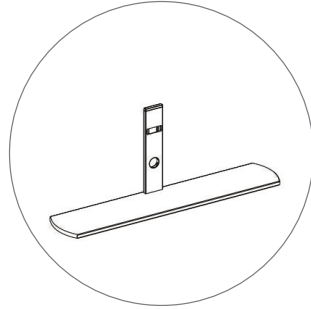
(qty 2)
Vertical Profile Top



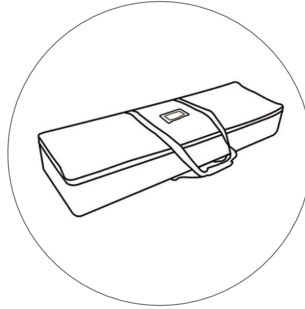
(qty 2)
Vertical Profile Bottom



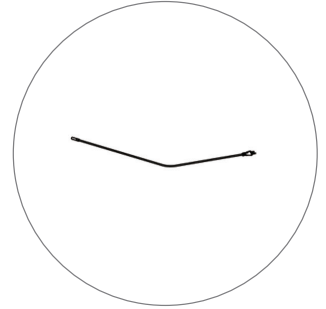
(qty 1)
Mid Pole



(qty 2)
Feet
2.25" W x 17" L (each)



(qty 1)
Travel Bag



(qty 1)
Power Cord

