

# Hybrid Pro Modular Kit 10

## HP-K-10

Hybrid Pro™ Modular exhibits and counters are a perfect solution for the serious exhibitor. Exhibits feature heavy-duty aluminum extrusion frames and push-fit fabric graphics. Count on making an unforgettable impact with Hybrid Pro Modular exhibit kits, counters, and accessories.



\*foreground counters not included

We are continually improving and modifying our product range and reserve the right to vary the specifications without prior notice. All dimensions and weights quoted are approximate and we accept no responsibility for variance. E&OE. See Graphic Templates for graphic bleed specifications.

## features and benefits:

- Silver aluminum extrusion frame
- Single-sided SEG dye-sublimated fabric graphics
- Literature holders
- Easy step-by-step instructions
- Kit includes frame, six fabric graphic panels, one counter, four 200 LED floodlights, one medium monitor mount, six literature holders and one molded SCRATCH case
- Lifetime hardware warranty against manufacturer defects

## dimensions:

### Hardware

Assembled unit:  
229.25" w x 94.5" h x 42.88" d  
5823mm(w) x 2400(h) x 1089mm(d)

Counter:  
39.38" w x 36.63" h x 15.75" d  
1000mm(w) x 930mm(h) x 400mm(d)

Counter holds max weight 50 lbs / 22.68 kgs and has a locking storage door

### Shipping

Shipping dimensions - ships in 1 case:  
1 SCRATCH case: 57" l x 59" h x 33" d  
1448mm(l) x 1449mm(h) x 838mm(d)

Approximate shipping weight (entire kit):  
531 lbs / 241 kgs

### Graphic

Refer to related graphic templates for more information

Visit: [www.exhibitors-handbook.com/graphic-templates](http://www.exhibitors-handbook.com/graphic-templates)

## additional information:

Graphic material:  
Dye-sublimated fabric

Countertop color options:



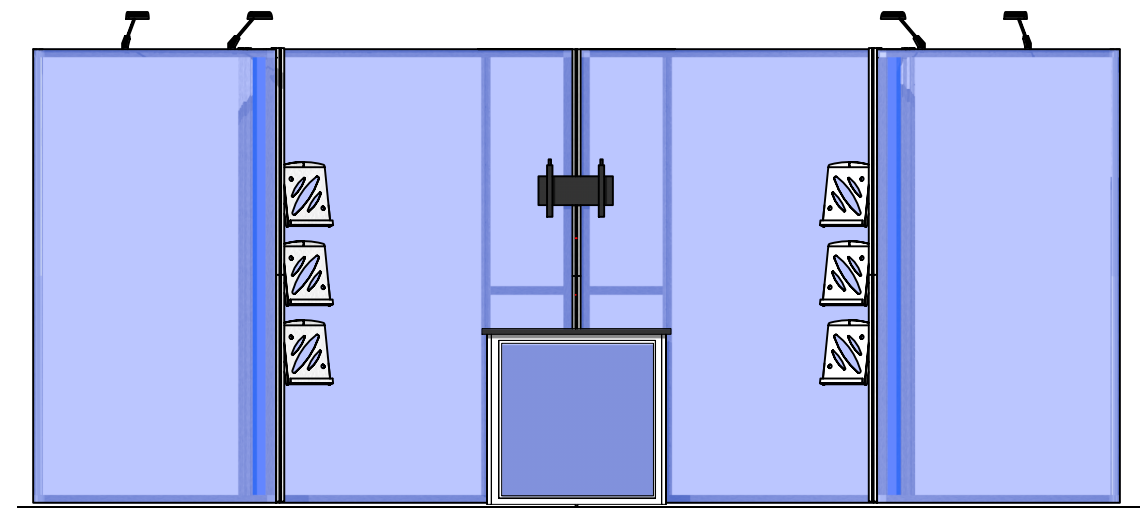
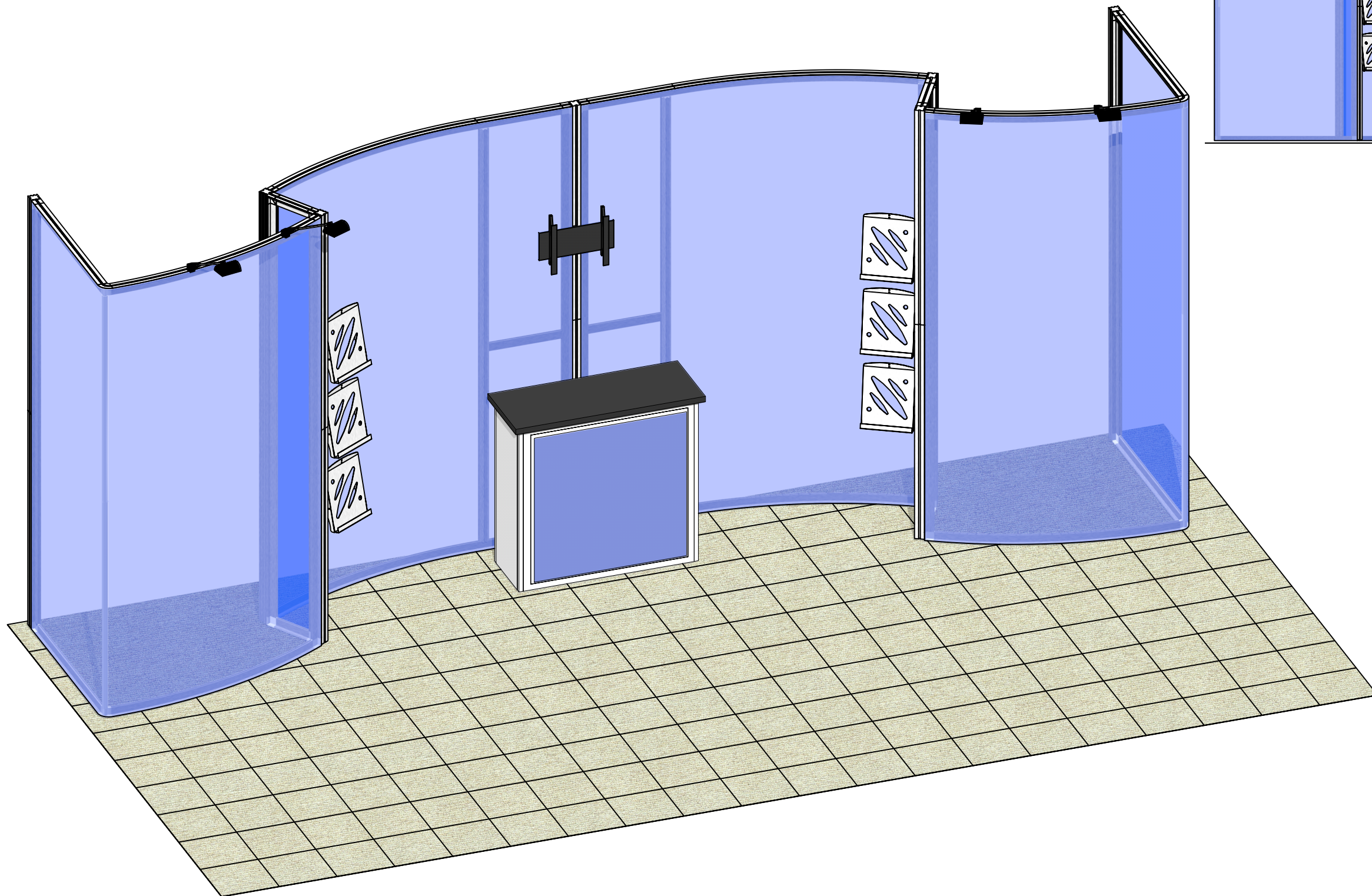
silver black mahogany natural

\*Foreground counters not included

Lights Included: Lumina 200 LED floodlight, straight arm and adjustable head, black finish, 19.5" from end to end

Medium monitor bracket holds 26-40" LCD, maximum weight: 50 lbs / 22.68 kgs

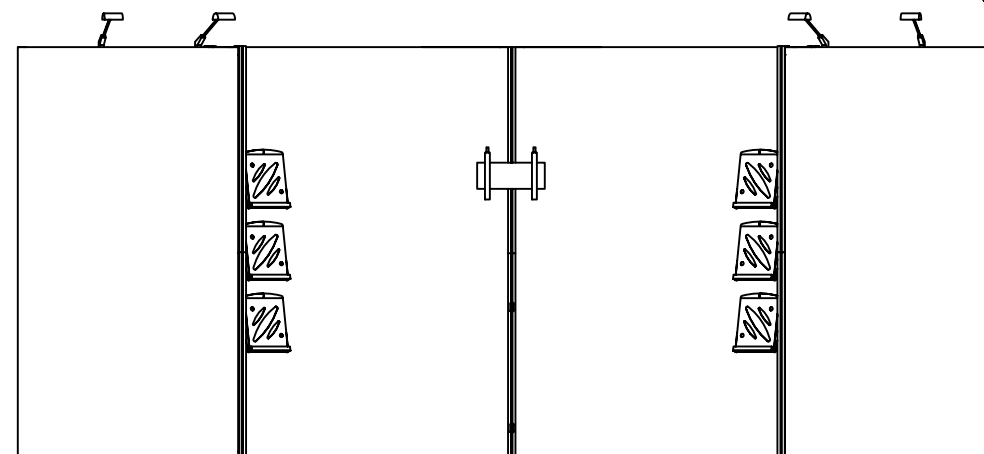
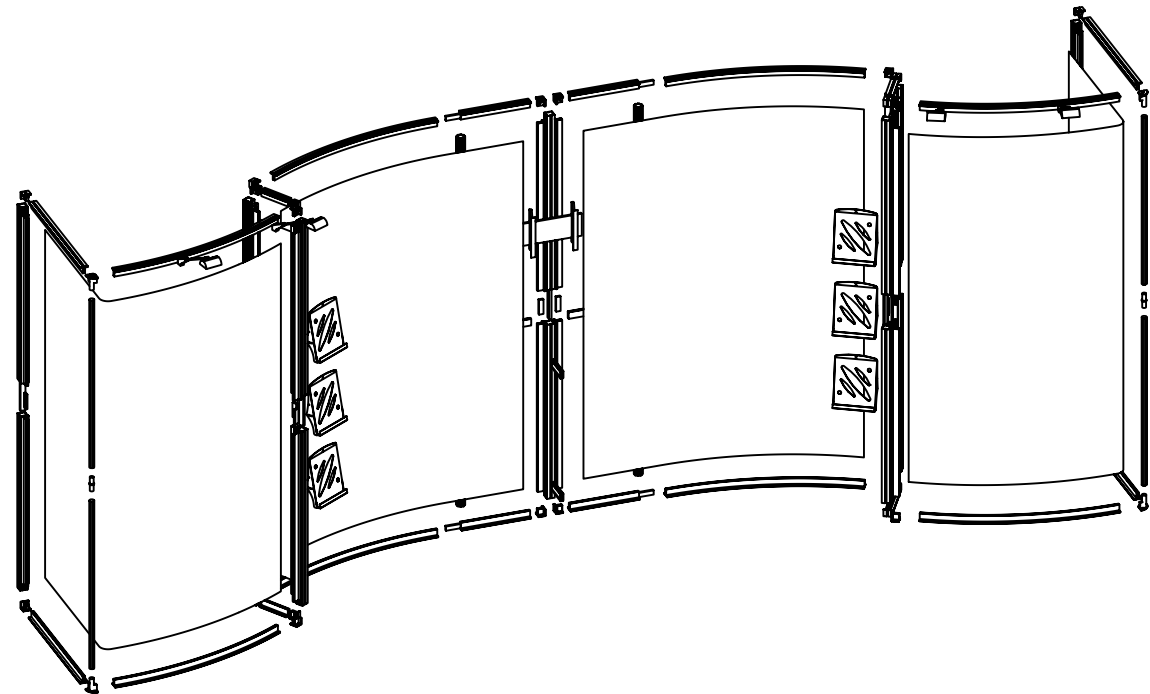
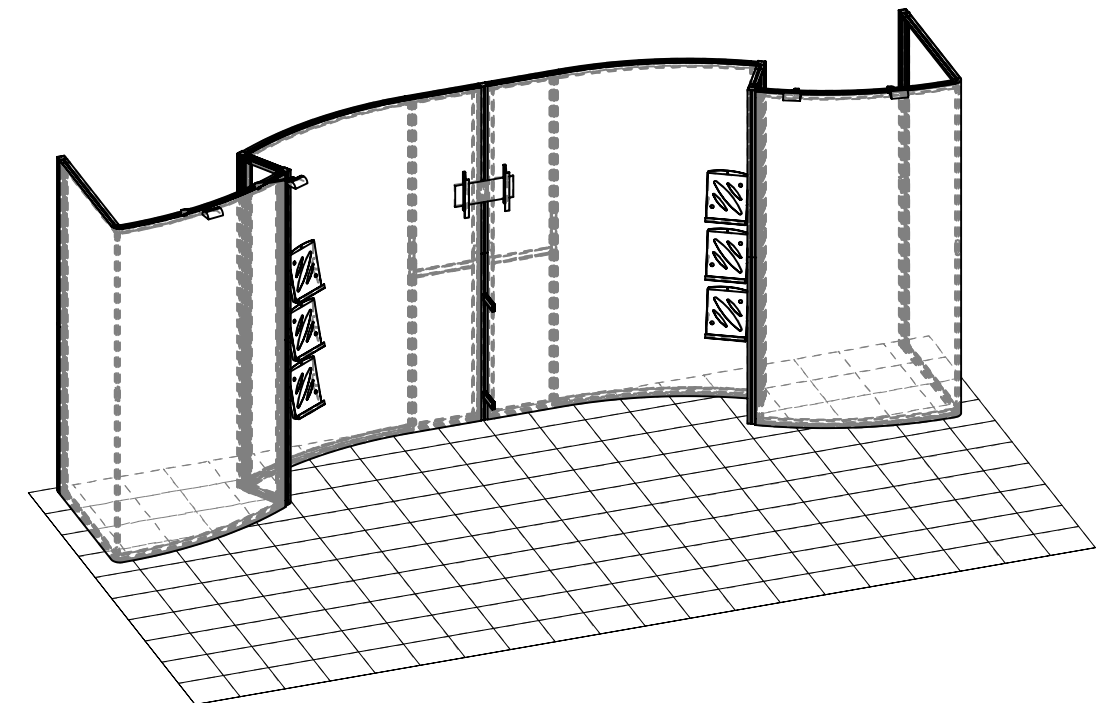
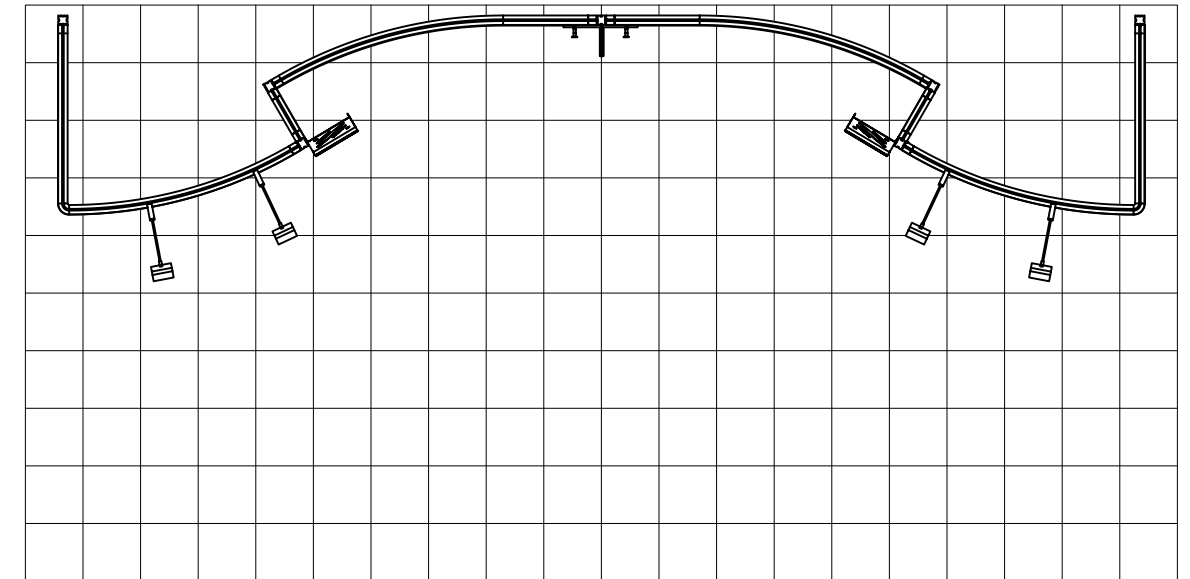
R-HP-K-10



Code	#	Description
R49	4	PHFC2-8R-30 EXTRUSION WITH LOCKS 2 ENDS
R24	14	1200MM (47.24") 50MM50MM PM2S SQUARE EXTRUSION WITH STOP AT 155MM
R25	9	PH4SC-300MM (11.81") EXTRUSION WITH TENSION GLIDES
CB9-S	24	50MM SQUARE PHCF2 CORNER BRACKET
R19	24	1155MM (45.47") PHFC2 EXTRUSION WITH IB2 HOLE ONE SIDE-WITH LOCK 1 END WITH BIKE LOCKS
R21	4	PHFC2-8R-30 EXTRUSION WITH LOCKS 1 END
R16	4	900MM (35.43") PHFC2 EXTRUSION WITH LOCKS 2 ENDS
R17	4	450MM (17.72") PHFC2 EXTRUSION WITH IB2 HOLE ONE SIDE-WITH LOCK 1 END
R22	4	1155MM (45.47") 50MM50MM PM2R8 8 WAY ROUND EXTRUSION WITH STOP AT 155MM WITH LOCK 1 END
LN112	6	A4 UNIVERSAL LITERATURE HOLDER
LEDL10B	4	LED SPOTLIGHT,3M,UL PLUG W/TRANSFORMER BLACK
IB2	16	PH INLINE CONNECTOR
R23	2	381MM (15") PH EXTRUSION WITH LOCKS 2 ENDS
CB10-R	4	50MM ROUND PHCF2 CORNER BRACKET
R108	4	1155MM LENGTH 30mm (1.18 Inch) TUBE
TC-30-S	2	INLINE CONNECTOR FOR 30 TUBING
R18	4	210MM (8.27") PHFC2 EXTRUSION WITH IB2 HOLE ONE SIDE-WITH LOCK 1 END
GRAPHIC C1	1	94.5"H X 69.172"W SINGLE SIDED DYESUB GRAPHIC W/FCE-2 ON PERIMETER
GRAPHIC A1	1	94.5"H X 91.53"W SINGLE SIDED DYESUB GRAPHIC W/FCE-2 ON PERIMETER
GRAPHIC B1	1	94.5"H X 11.81"W SINGLE SIDED DYESUB GRAPHIC W/FCE-2 ON PERIMETER
MM-MB	1	MEDIUM MONITOR BRACKET FOR MONITORS 15"-40"
LN112	3	UNIVERSAL BROCHURE HOLDER WITH THUMB SCREW AND SUPPORT BAR
GRAPHIC C2	1	94.5"H X 69.172"W SINGLE SIDED DYESUB GRAPHIC W/FCE-2 ON PERIMETER
GRAPHIC A2	1	94.5"H X 91.53"W SINGLE SIDED DYESUB GRAPHIC W/FCE-2 ON PERIMETER
GRAPHIC B2	1	94.5"H X 11.81"W SINGLE SIDED DYESUB GRAPHIC W/FCE-2 ON PERIMETER
R110	2	100MM (3.89") PH EXTRUSION WITH SLIDE LOCKS 2 ENDS

# BOM

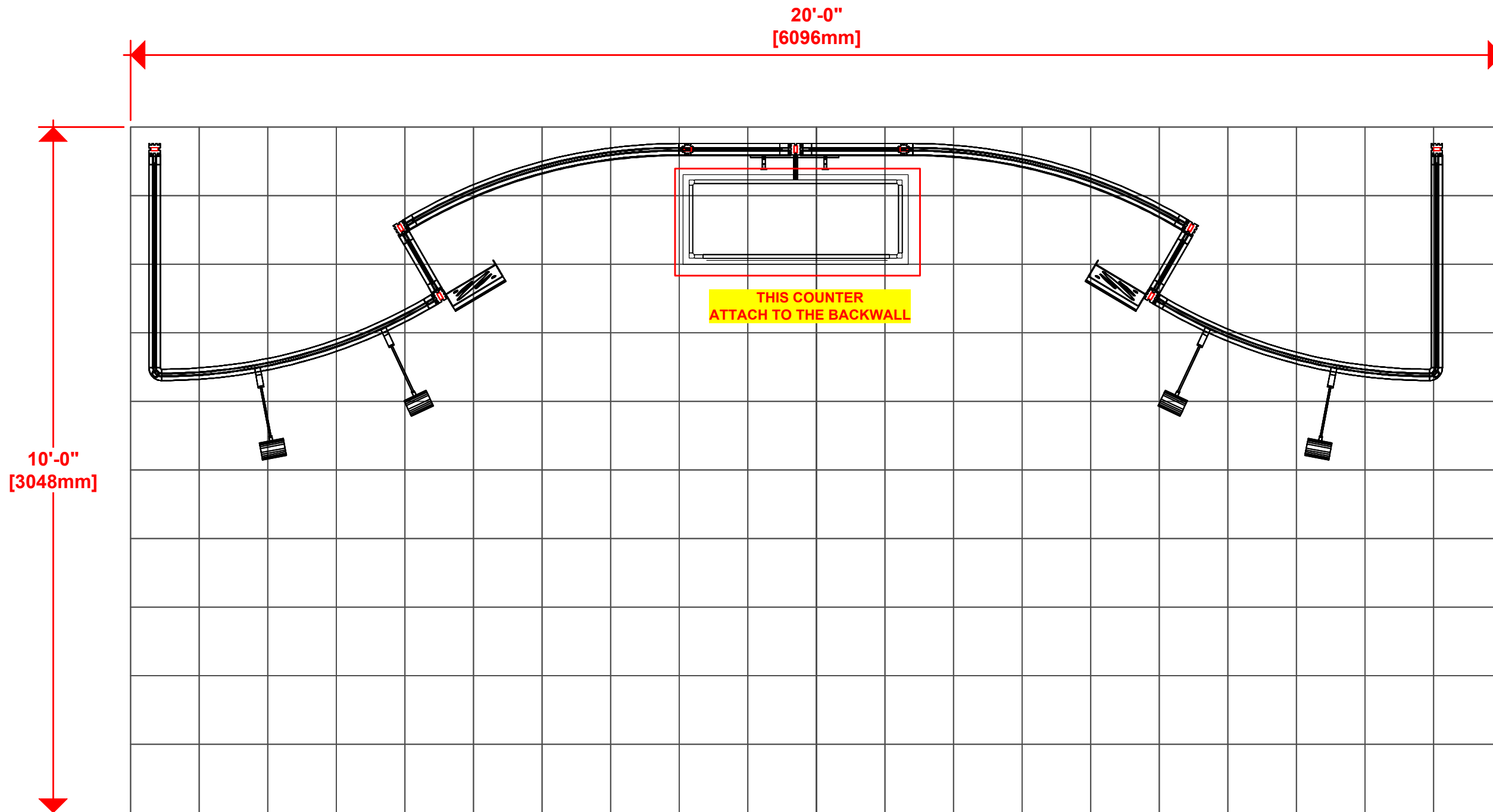
R-HP-K-10

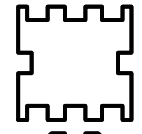

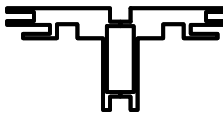
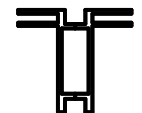




1. Redesign of this exhibit without approval by manufacturer may result in dangerous and unsafe structures. Manufacturer disclaims any responsibility for redesigned exhibits it does not approve in writing.

2. Parts and components such as panels and extrusions are manufactured to metric sizing. Where ever possible sizes have been noted in feet and inches as well as in metric. Below is the imperial to metric sizing table as reference. "Nominal" refers to approximate size.

- |                    |                                 |
|--------------------|---------------------------------|
| 2400mm = (94 1/2") | Phone Line / Fax                |
| 2100mm = (82 5/8") | Internet connection             |
| 1800mm = (70 7/8") | Outlet                          |
| 1500mm = (59")     | Main Drop (point of distrution) |
| 1200mm = (47 1/4") |                                 |
| 900mm = (35 1/2")  |                                 |
| 600mm = (23 5/8")  |                                 |
| 300mm = (11 7/8")  |                                 |
- Wire running under carpet ---



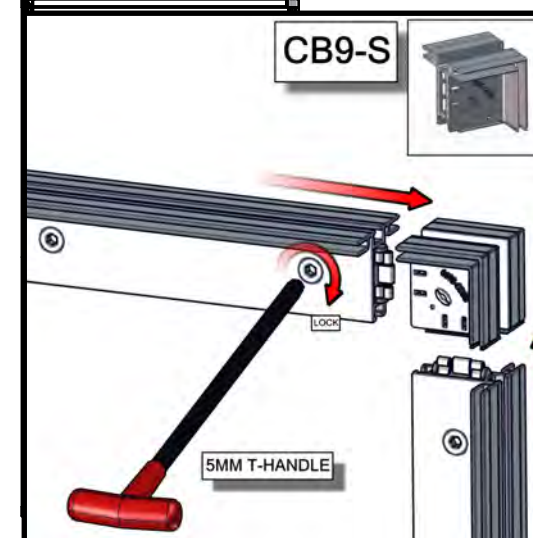
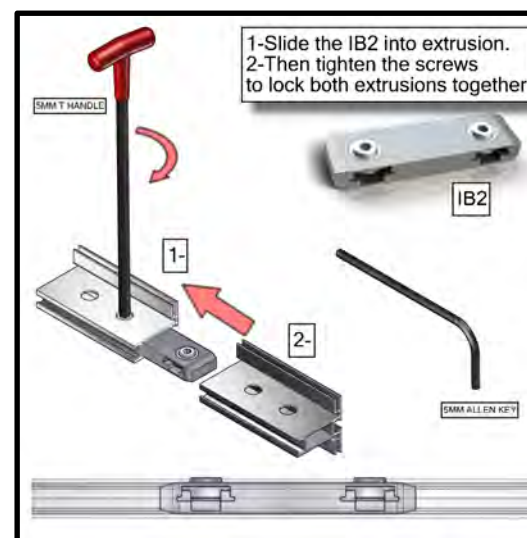
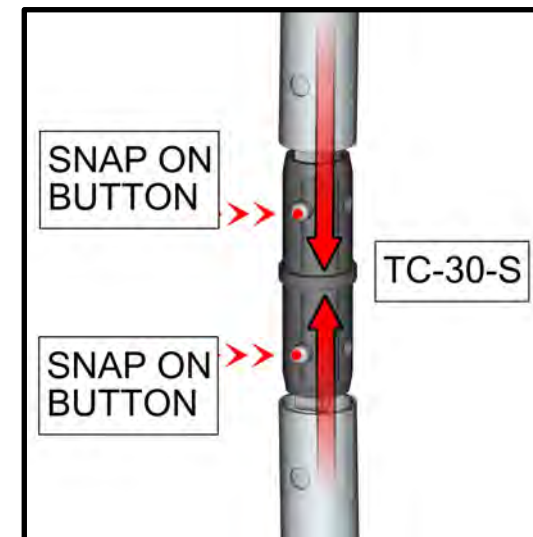
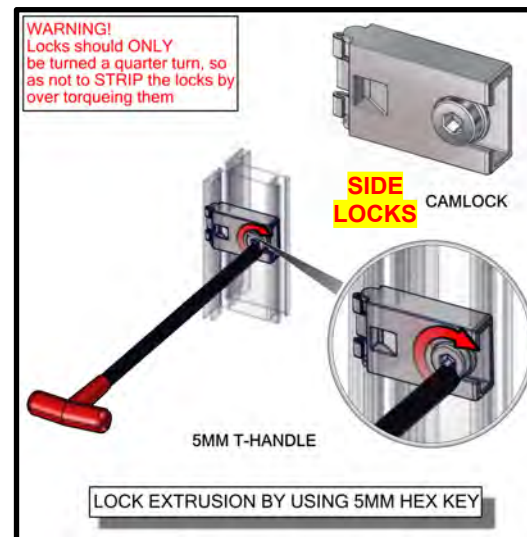
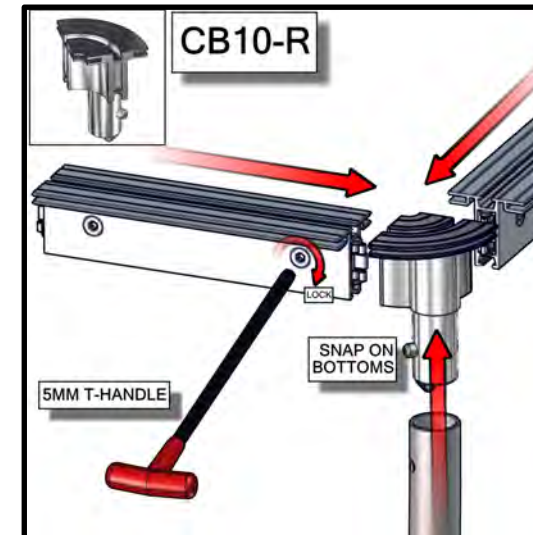
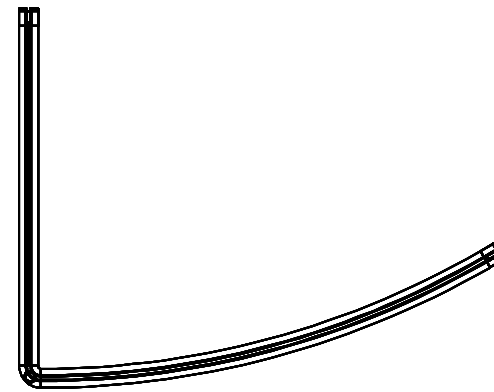
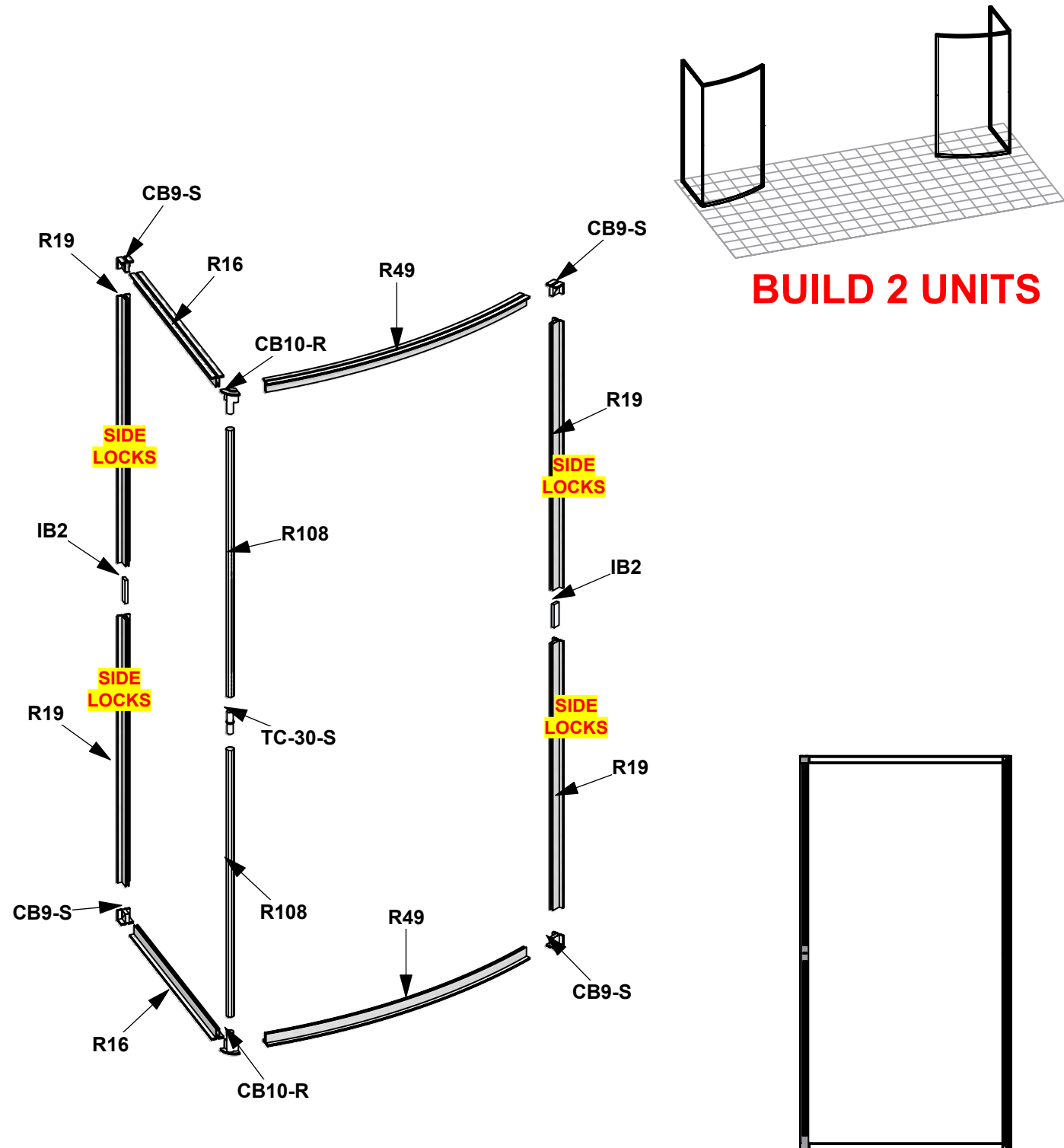
-  PM2S2
-  PM2R8
-  PHFC4
-  PHFC2
-  PH
-  PH4SC

**HYBRID PRO RENTAL KIT**

Title: SET-UP INSTRUCTIONS

**(4) LEDL 10S LIGHTS = 50W PER STICK**

Code	#	Description
R49	4	PHFC2-8R-30 EXTRUSION WITH LOCKS 2 ENDS
CB9-S	8	50MM SQUARE PHCF2 CORNER BRACKET
R19	8	1155MM (45.47") PHFC2 EXTRUSION WITH IB2 HOLE ONE SIDE-WITH LOCK 1 END
R16	4	900MM (35.43") PHFC2 EXTRUSION WITH LOCKS 2 ENDS
IB2	4	PH INLINE CONNECTOR
CB10-R	4	50MM ROUND PHCF2 CORNER BRACKET
R108	4	1155MM LENGTH 30mm (1.18 Inch) TUBE
TC-30-S	2	INLINE CONNECTOR FOR 30 TUBING

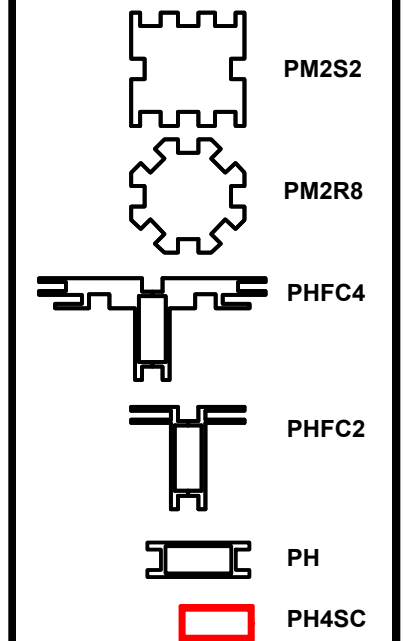


1. Redesign of this exhibit without approval by manufacturer may result in dangerous and unsafe structures. Manufacturer disclaims any responsibility for redesigned exhibits it does not approve in writing.

2. Parts and components such as panels and extrusions are manufactured to metric sizing. Where ever possible sizes have been noted in feet and inches as well as in metric. Below is the imperial to metric sizing table as reference. "Nominal" refers to approximate size.

2400mm = (94 1/2")	Phone Line / Fax
2100mm = (82 5/8")	Internet connection
1800mm = (70 7/8")	Outlet
1500mm = (59")	Main Drop (point of distrution)
1200mm = (47 1/4")	
900mm = (35 1/2")	
600mm = (23 5/8")	
300mm = (11 7/8")	

--- Wire running under carpet



**HYBRID PRO RENTAL KIT**

Title: SET-UP INSTRUCTIONS

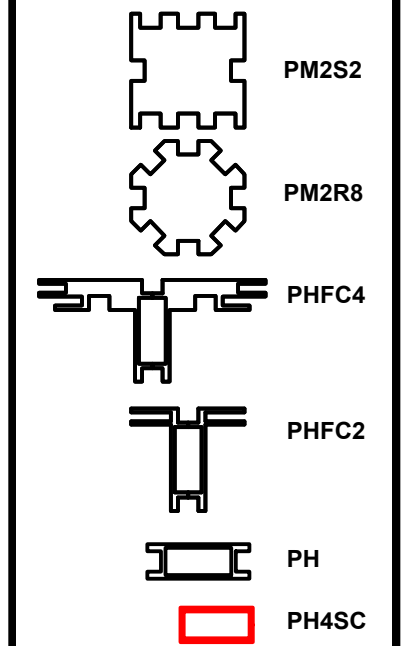
Code	#	Description
R24	8	1200MM (47.24") 50MM50MM PM2S SQUARE EXT
R25	4	PH4SC-300MM (11.81") EXTRUSION WITH TENSION

1. Redesign of this exhibit without approval by manufacturer may result in dangerous and unsafe structures. Manufacturer disclaims any responsibility for redesigned exhibits it does not approve in writing.

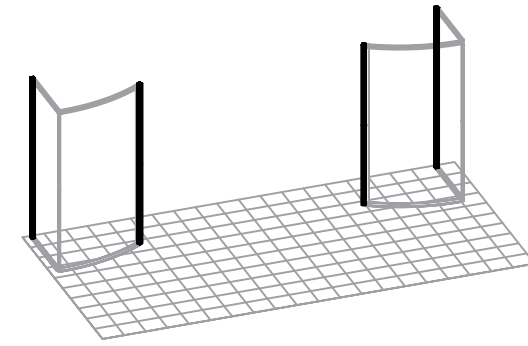
2. Parts and components such as panels and extrusions are manufactured to metric sizing. Where ever possible sizes have been noted in feet and inches as well as in metric. Below is the imperial to metric sizing table as reference. "Nominal" refers to approximate size.

2400mm = (94 1/2")	Phone Line / Fax
2100mm = (82 5/8")	Internet connection
1800mm = (70 7/8")	Outlet
1500mm = (59")	Main Drop (point of distrution)
1200mm = (47 1/4")	
900mm = (35 1/2")	
600mm = (23 5/8")	
300mm = (11 7/8")	

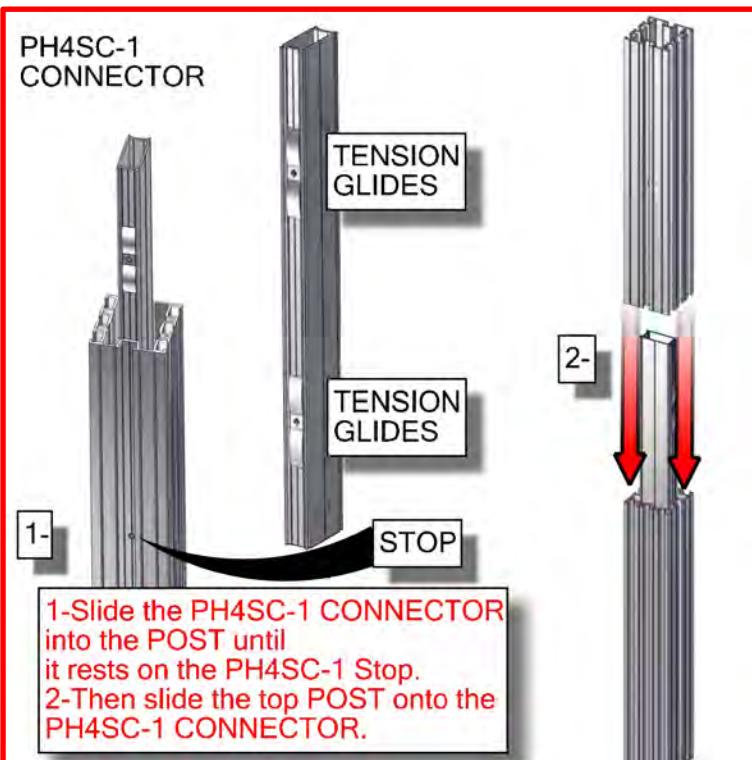
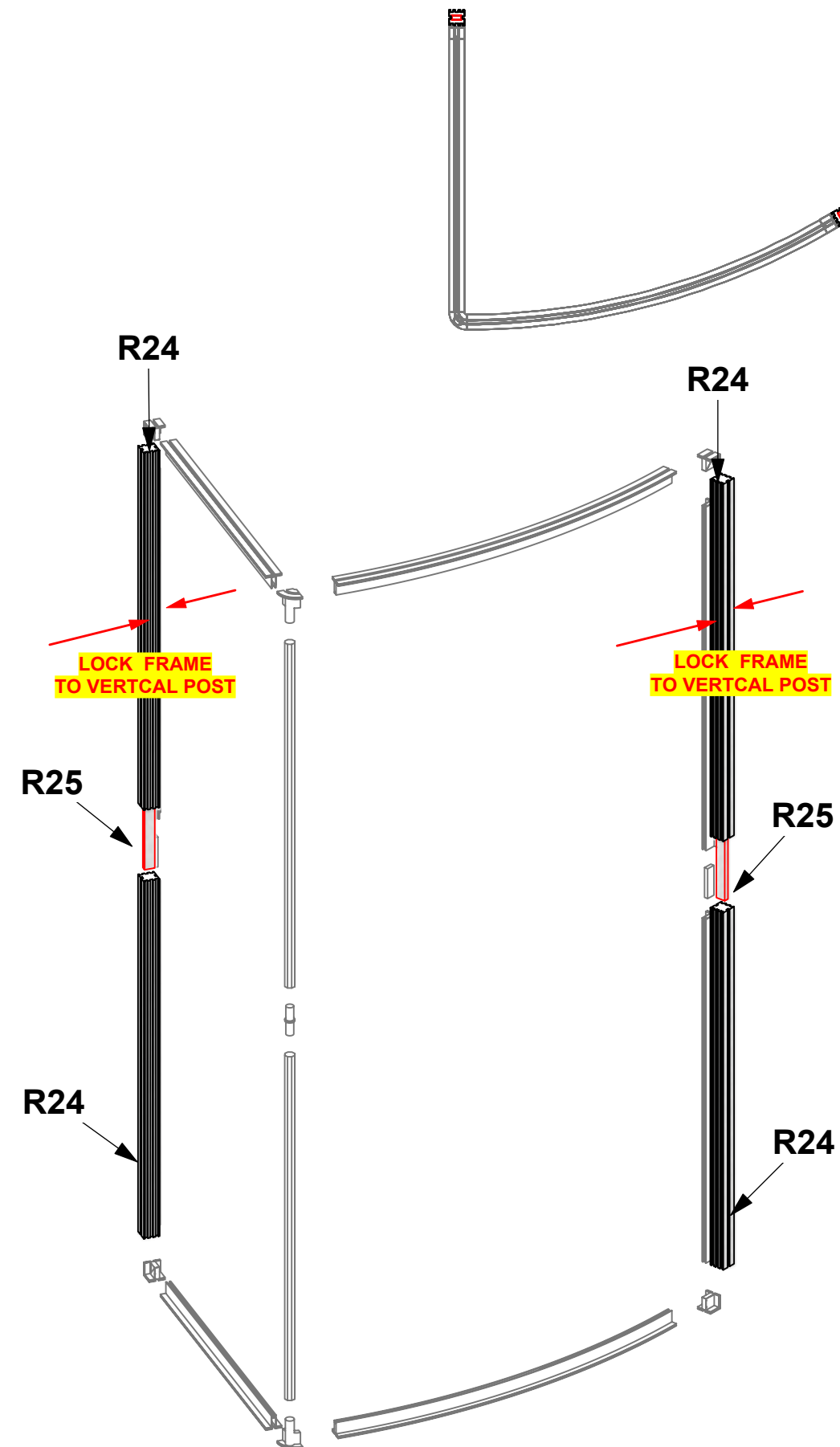
Wire running under carpet



**WARNING!**  
Locks should ONLY be turned a quarter turn, so as not to STRIP the locks by over torquing them



**BUILD 2 UNITS**

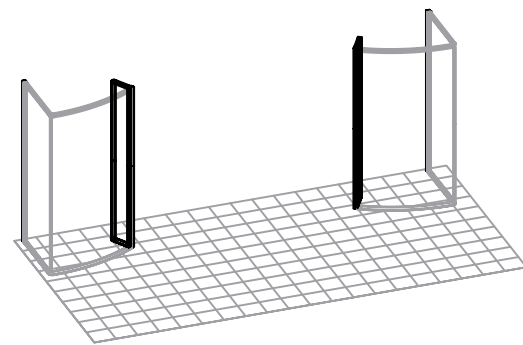


1-Slide the PH4SC-1 CONNECTOR into the POST until it rests on the PH4SC-1 Stop.  
2-Then slide the top POST onto the PH4SC-1 CONNECTOR.

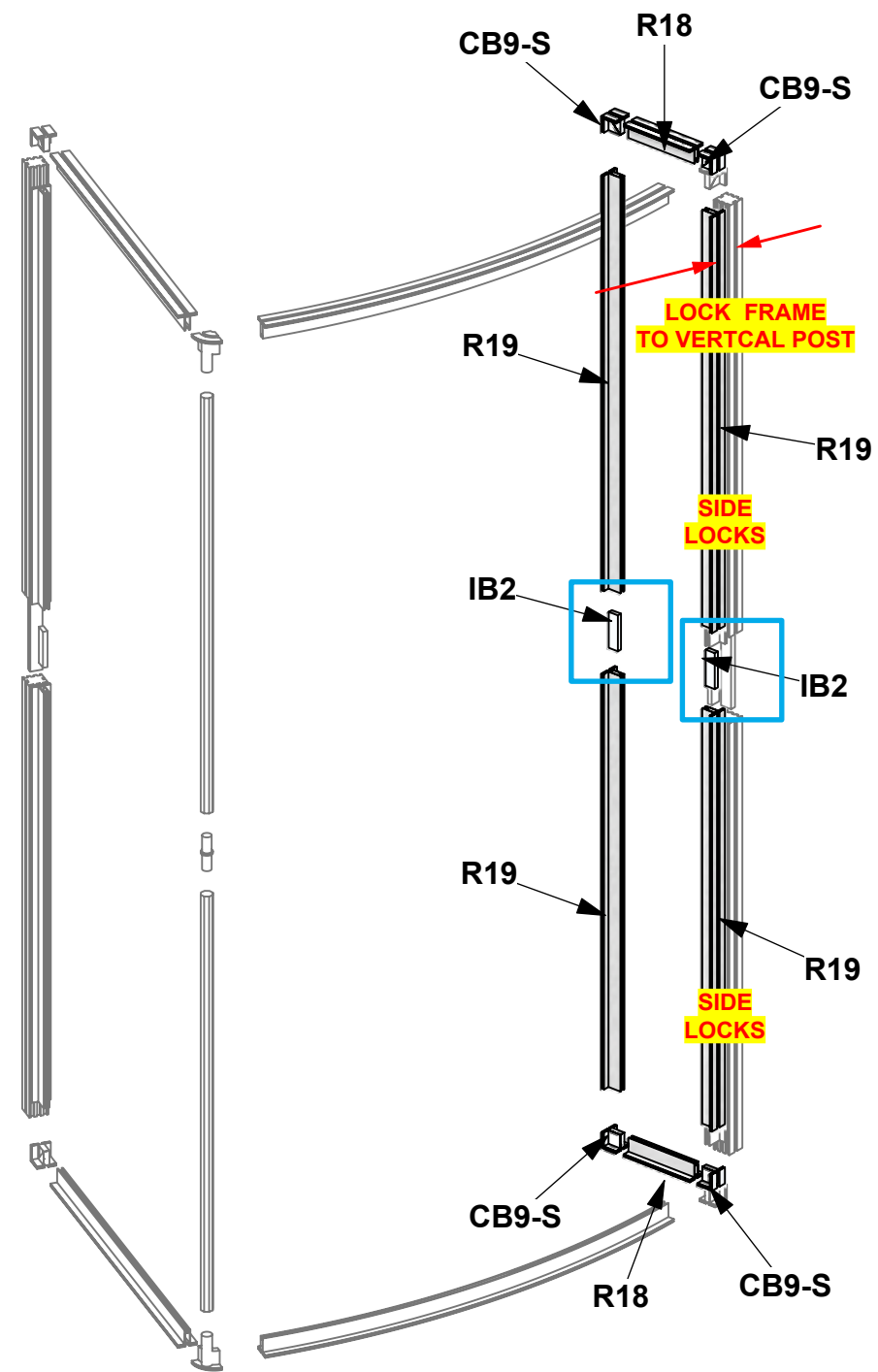
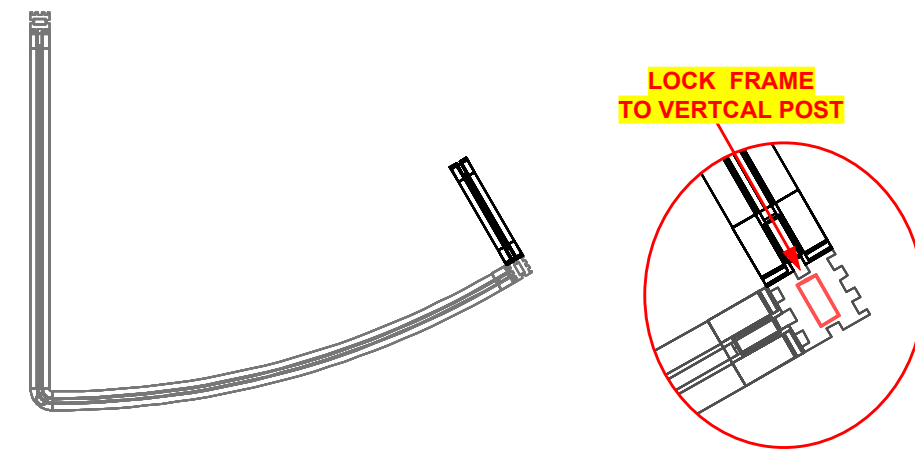
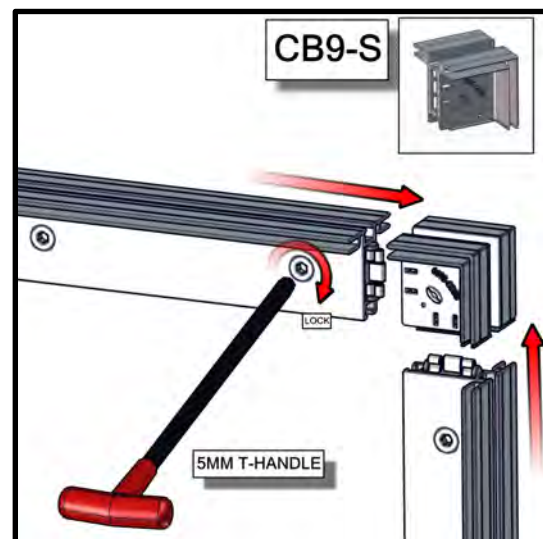
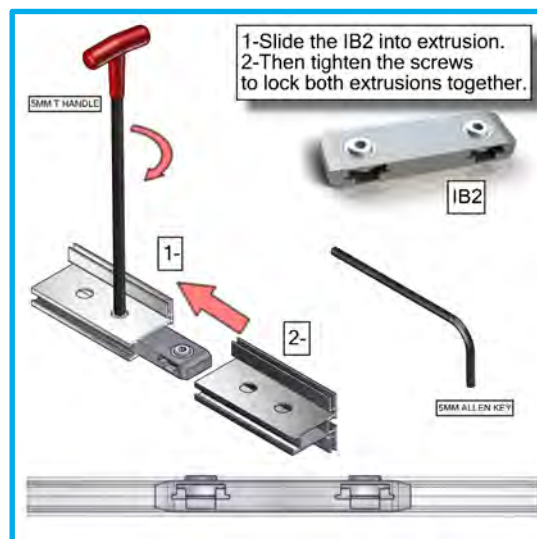
HYBRID PRO RENTAL KIT

Title: SET-UP INSTRUCTIONS

Code	#	Description
CB9-S	8	50MM SQUARE PHCF2 CORNER BRACKET
R19	8	1155MM (45.47") PHFC2 EXTRUSION WITH IB2 HOLE ONE SIDE-WITH LOCK 1 END
IB2	4	PH INLINE CONNECTOR
R18	4	210MM (8.27") PHFC2 EXTRUSION WITH IB2 HOLE ONE SIDE-WITH LOCK 1 END



**BUILD 2 UNITS**

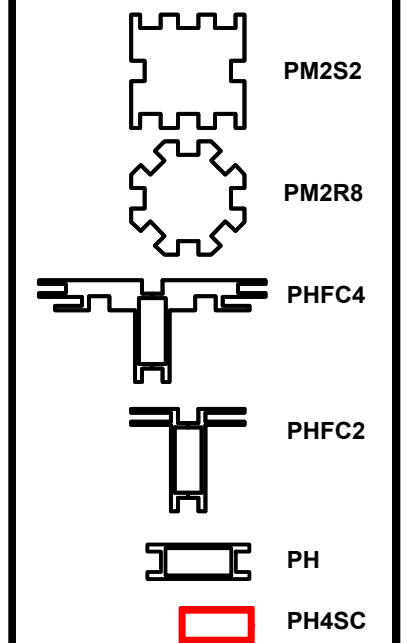


1. Redesign of this exhibit without approval by manufacturer may result in dangerous and unsafe structures. Manufacturer disclaims any responsibility for redesigned exhibits it does not approve in writing.

2. Parts and components such as panels and extrusions are manufactured to metric sizing. Where ever possible sizes have been noted in feet and inches as well as in metric. Below is the imperial to metric sizing table as reference. "Nominal" refers to approximate size.

2400mm = (94 1/2")	Phone Line / Fax
2100mm = (82 5/8")	Internet connection
1800mm = (70 7/8")	Outlet
1500mm = (59")	Main Drop (point of distrution)
1200mm = (47 1/4")	
900mm = (35 1/2")	
600mm = (23 5/8")	
300mm = (11 7/8")	

--- Wire running under carpet

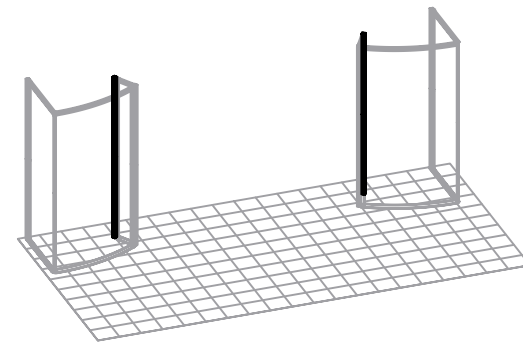
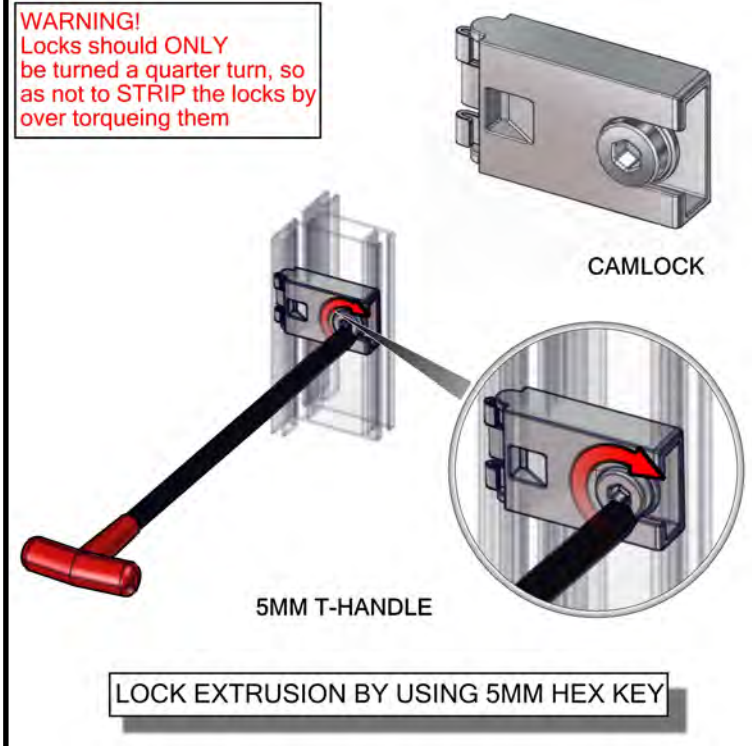


**HYBRID PRO RENTAL KIT**

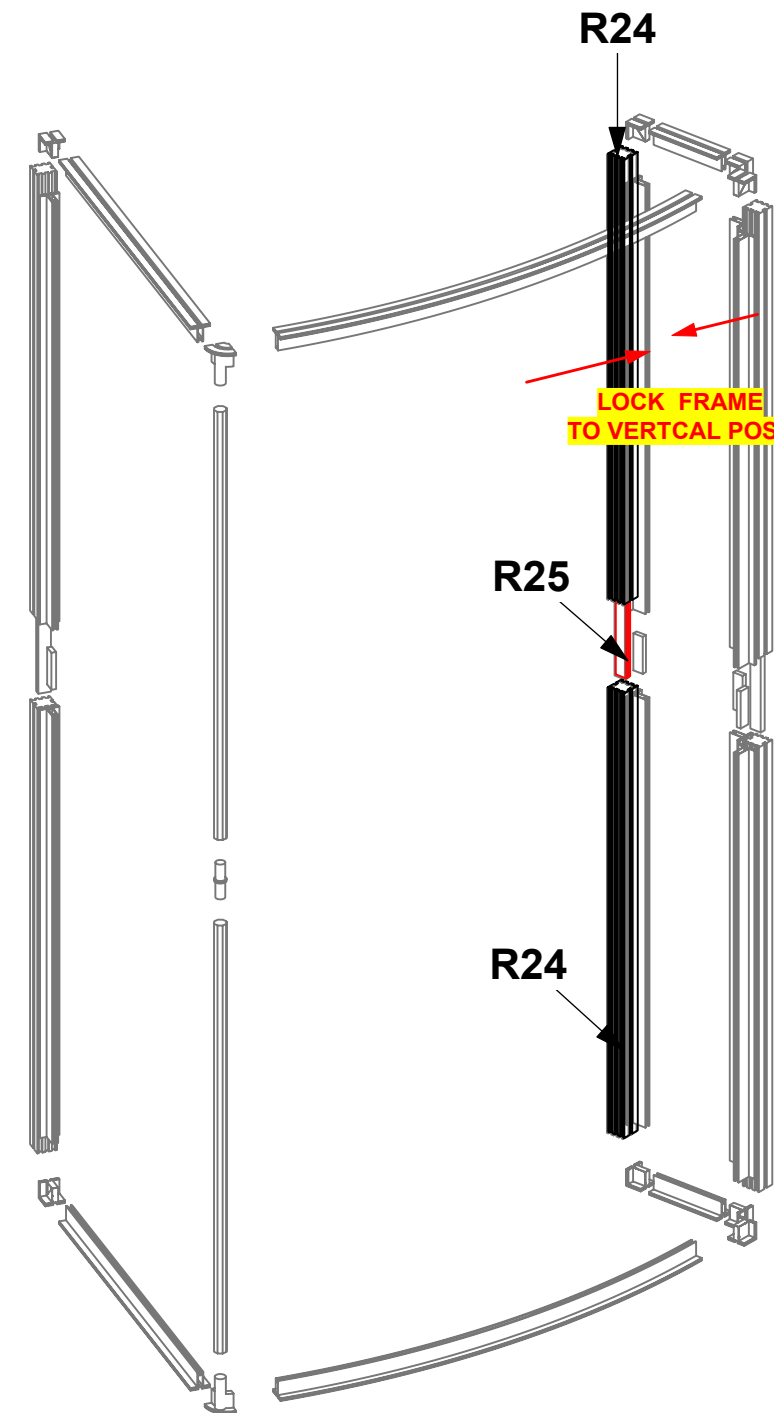
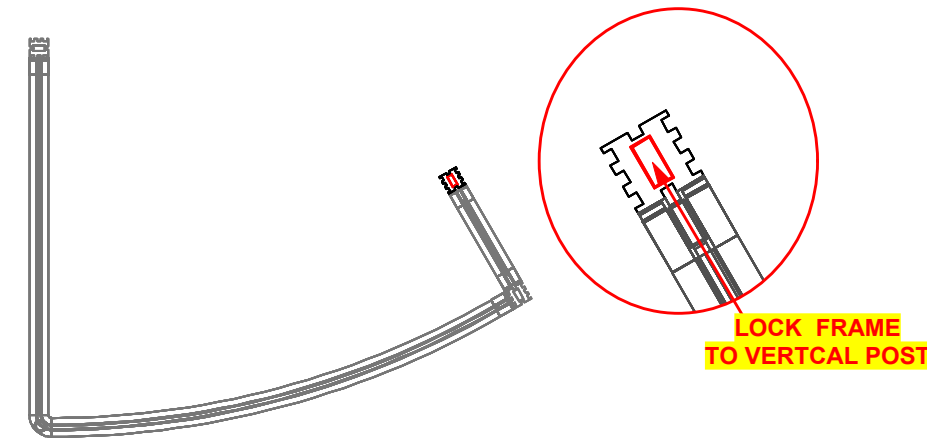
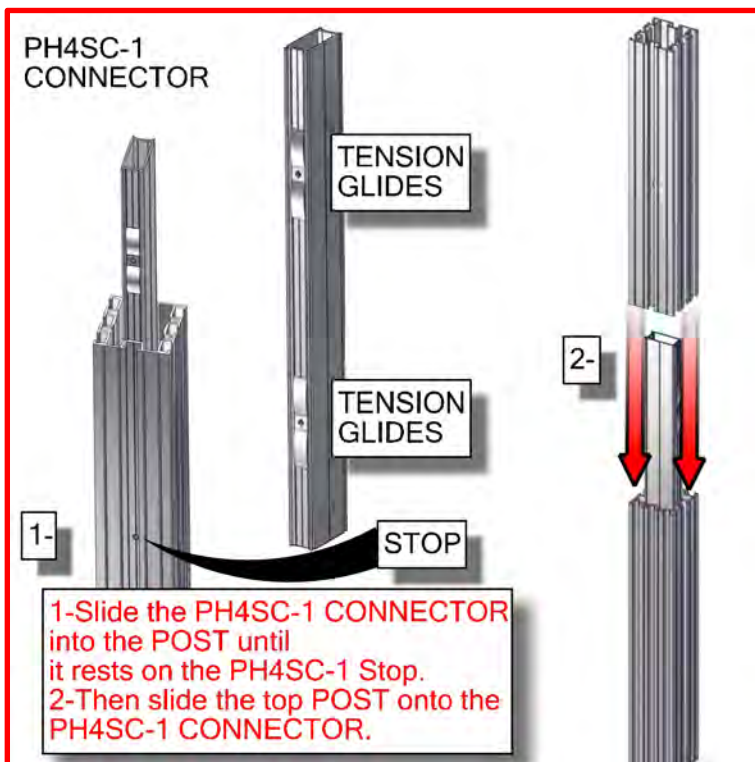
Title: SET-UP INSTRUCTIONS

Code	#	Description
R24	4	1200MM (47.24") 50MM50MM PM2S SQUARE EXTRUSION WITH
R25	2	PH4SC-300MM (11.81") EXTRUSION WITH TENSION GLIDES

**WARNING!**  
Locks should ONLY be turned a quarter turn, so as not to STRIP the locks by over torquing them



**BUILD 2 UNITS**

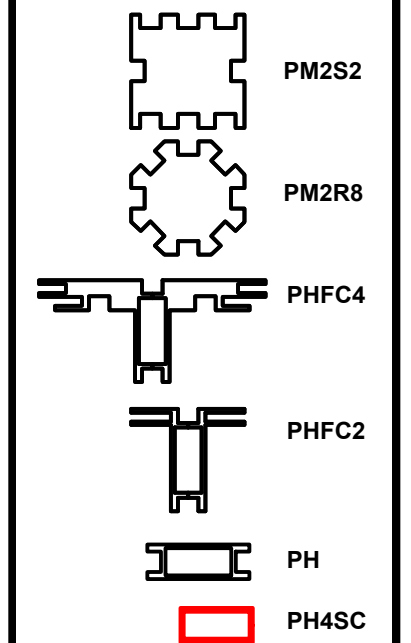


1. Redesign of this exhibit without approval by manufacturer may result in dangerous and unsafe structures. Manufacturer disclaims any responsibility for redesigned exhibits it does not approve in writing.

2. Parts and components such as panels and extrusions are manufactured to metric sizing. Where ever possible sizes have been noted in feet and inches as well as in metric. Below is the imperial to metric sizing table as reference. "Nominal" refers to approximate size.

2400mm = (94 1/2")	Phone Line / Fax
2100mm = (82 5/8")	Internet connection
1800mm = (70 7/8")	Outlet
1500mm = (59")	Main Drop (point of distrution)
1200mm = (47 1/4")	
900mm = (35 1/2")	
600mm = (23 5/8")	
300mm = (11 7/8")	

--- Wire running under carpet

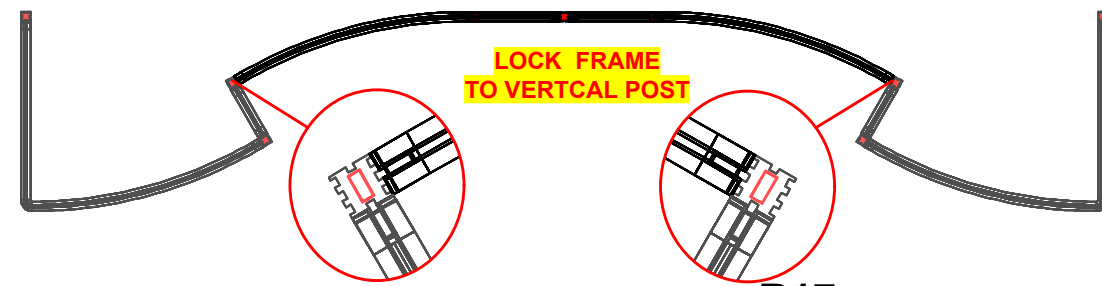


**HYBRID PRO RENTAL KIT**

Title: SET-UP INSTRUCTIONS



Code	#	Description
R21	4	PHFC2-8R-30 EXTRUSION WITH LOCKS 1 END
CB9-S	8	50MM SQUARE PHCF2 CORNER BRACKET
R19	8	1155MM (45.47") PHFC2 EXTRUSION WITH IB2 HOLE ONE SIDE-WITH LOCK 1 END WITH
R24	2	1200MM (47.24") 50MM50MM PM2S SQUARE EXTRUSION WITH STOP AT 155MM
R25	3	PH4SC-300MM (11.81") EXTRUSION WITH TENSION GLIDES
R17	4	450MM (17.72") PHFC2 EXTRUSION WITH IB2 HOLE ONE SIDE-WITH LOCK 1 END
R22	4	1155MM (45.47") 50MM50MM PM2R8 8 WAY ROUND EXTRUSION WITH STOP AT 155MM
IB2	8	PH INLINE CONNECTOR
R23	2	381MM (15") PH EXTRUSION WITH LOCKS 2 ENDS



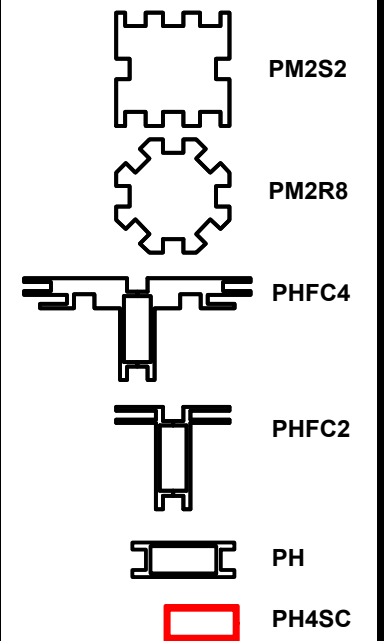
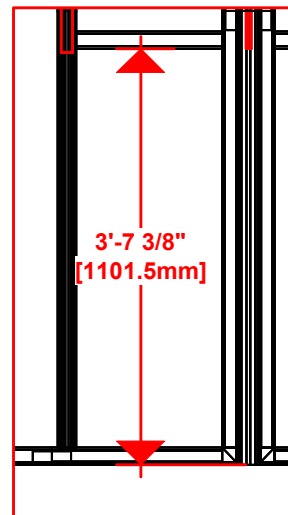
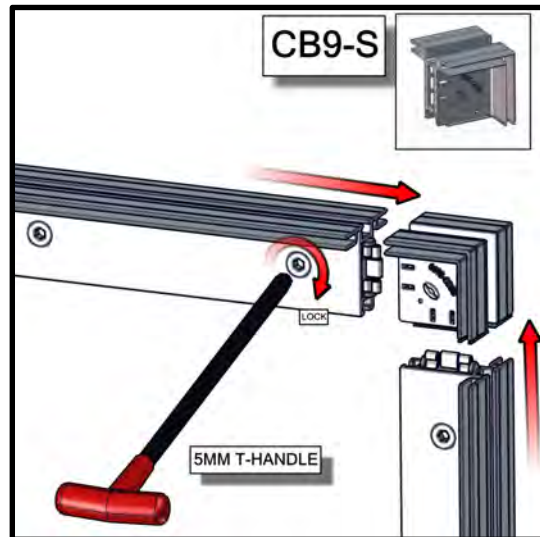
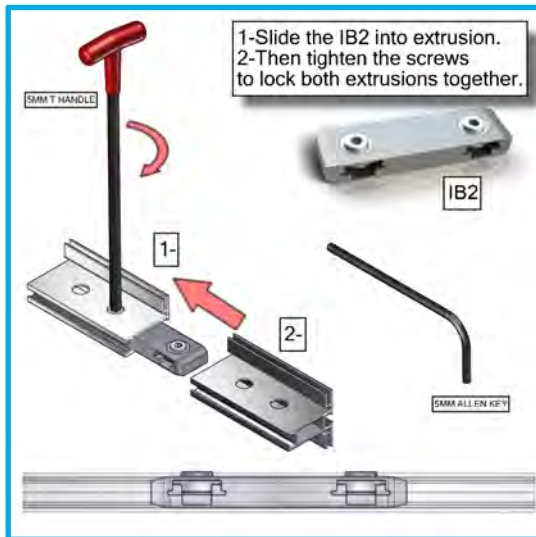
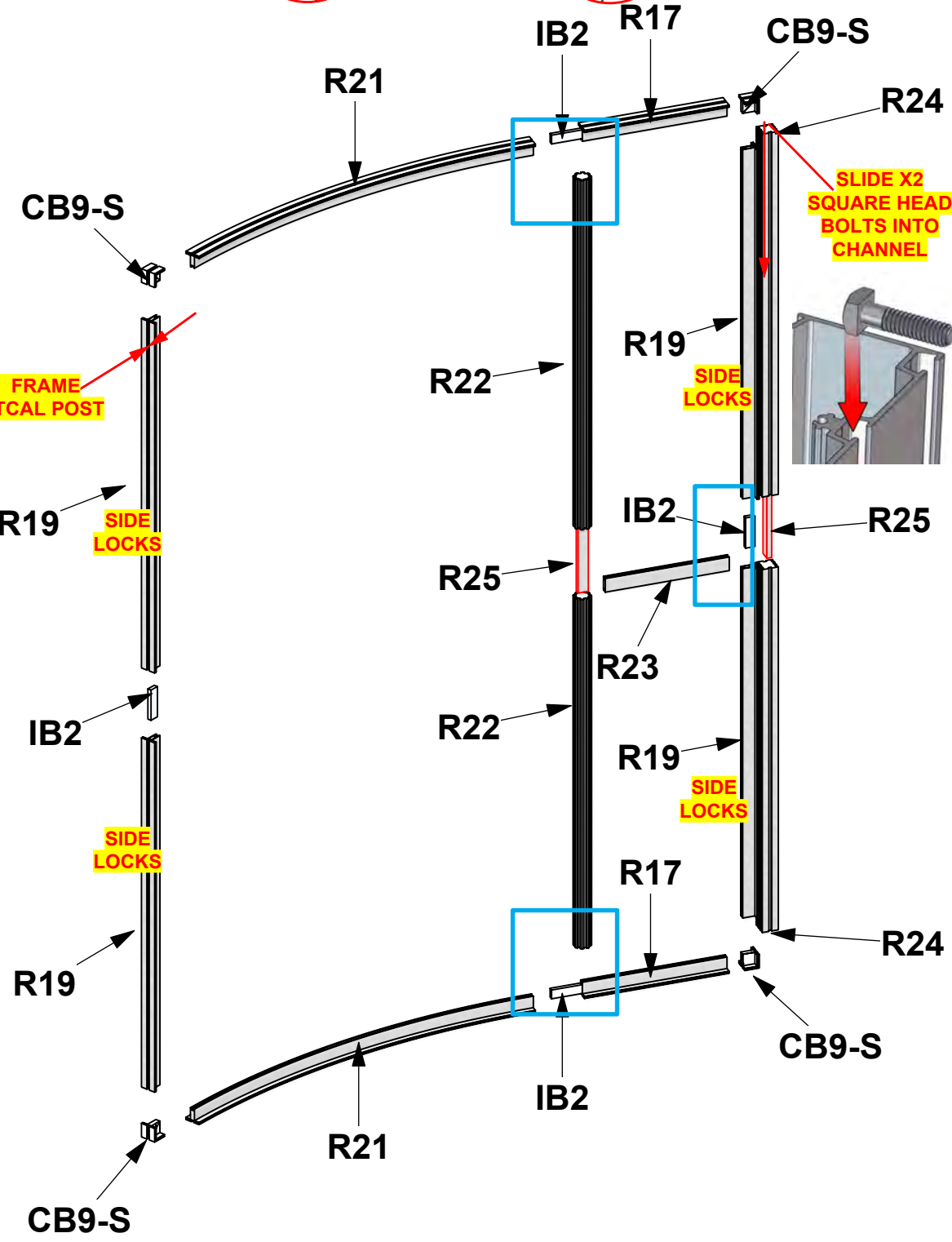
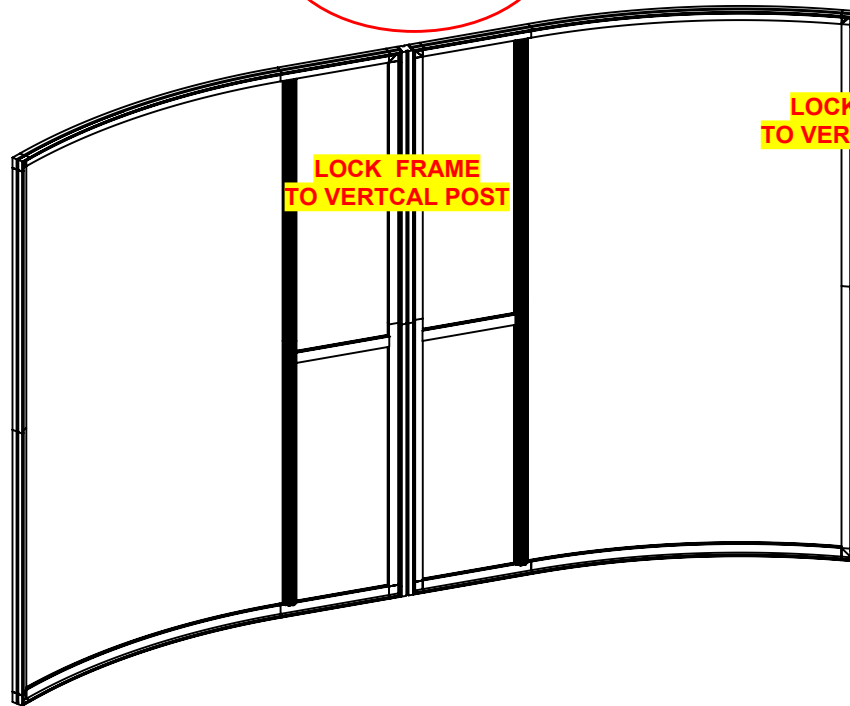
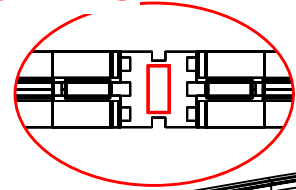
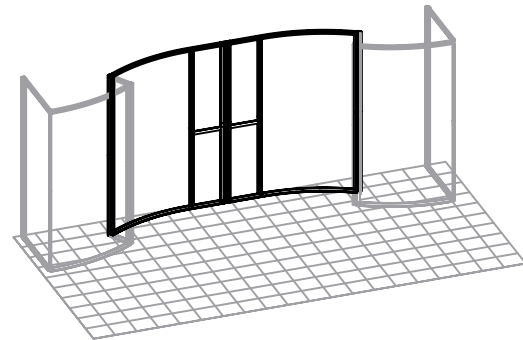
1. Redesign of this exhibit without approval by manufacturer may result in dangerous and unsafe structures. Manufacturer disclaims any responsibility for redesigned exhibits it does not approve in writing.

2. Parts and components such as panels and extrusions are manufactured to metric sizing. Where ever possible sizes have been noted in feet and inches as well as in metric. Below is the imperial to metric sizing table as reference. "Nominal" refers to approximate size.

2400mm = (94 1/2")	Phone Line / Fax
2100mm = (82 5/8")	Internet connection
1800mm = (70 7/8")	Outlet
1500mm = (59")	Main Drop (point of distrution)
1200mm = (47 1/4")	
900mm = (35 1/2")	
600mm = (23 5/8")	
300mm = (11 7/8")	

--- Wire running under carpet

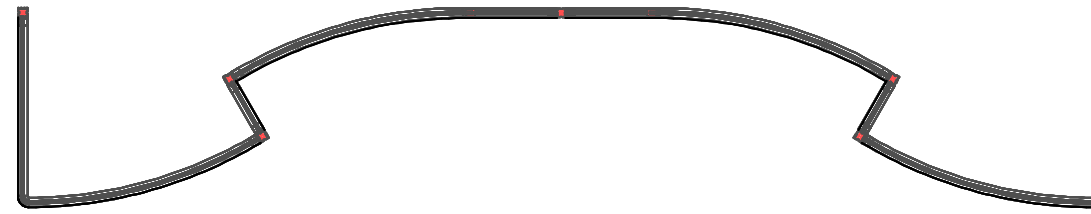
## BUILD 2 UNITS



HYBRID PRO RENTAL KIT

Title: SET-UP INSTRUCTIONS

Code	#	Description
GRAPHIC C1	1	94.5"H X 69.172"W SINGLE SIDED DYESUB GRAPHIC W/FCE-2 ON PERIMETER
GRAPHIC A1	1	94.5"H X 91.53"W SINGLE SIDED DYESUB GRAPHIC W/FCE-2 ON PERIMETER
GRAPHIC B1	1	94.5"H X 11.81"W SINGLE SIDED DYESUB GRAPHIC W/FCE-2 ON PERIMETER
GRAPHIC C2	1	94.5"H X 69.172"W SINGLE SIDED DYESUB GRAPHIC W/FCE-2 ON PERIMETER
GRAPHIC A2	1	94.5"H X 91.53"W SINGLE SIDED DYESUB GRAPHIC W/FCE-2 ON PERIMETER
GRAPHIC B2	1	94.5"H X 11.81"W SINGLE SIDED DYESUB GRAPHIC W/FCE-2 ON PERIMETER



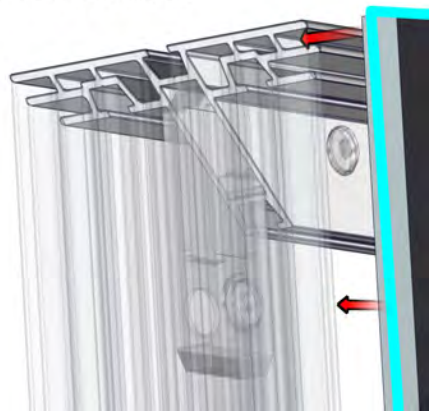
1. Redesign of this exhibit without approval by manufacturer may result in dangerous and unsafe structures. Manufacturer disclaims any responsibility for redesigned exhibits it does not approve in writing.

2. Parts and components such as panels and extrusions are manufactured to metric sizing. Where ever possible sizes have been noted in feet and inches as well as in metric. Below is the imperial to metric sizing table as reference. \*Nominal" refers to approximate size.

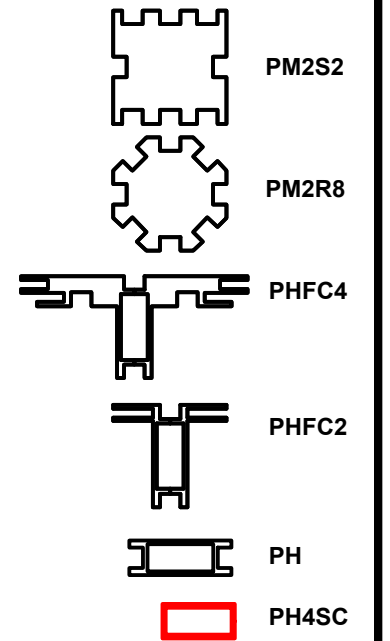
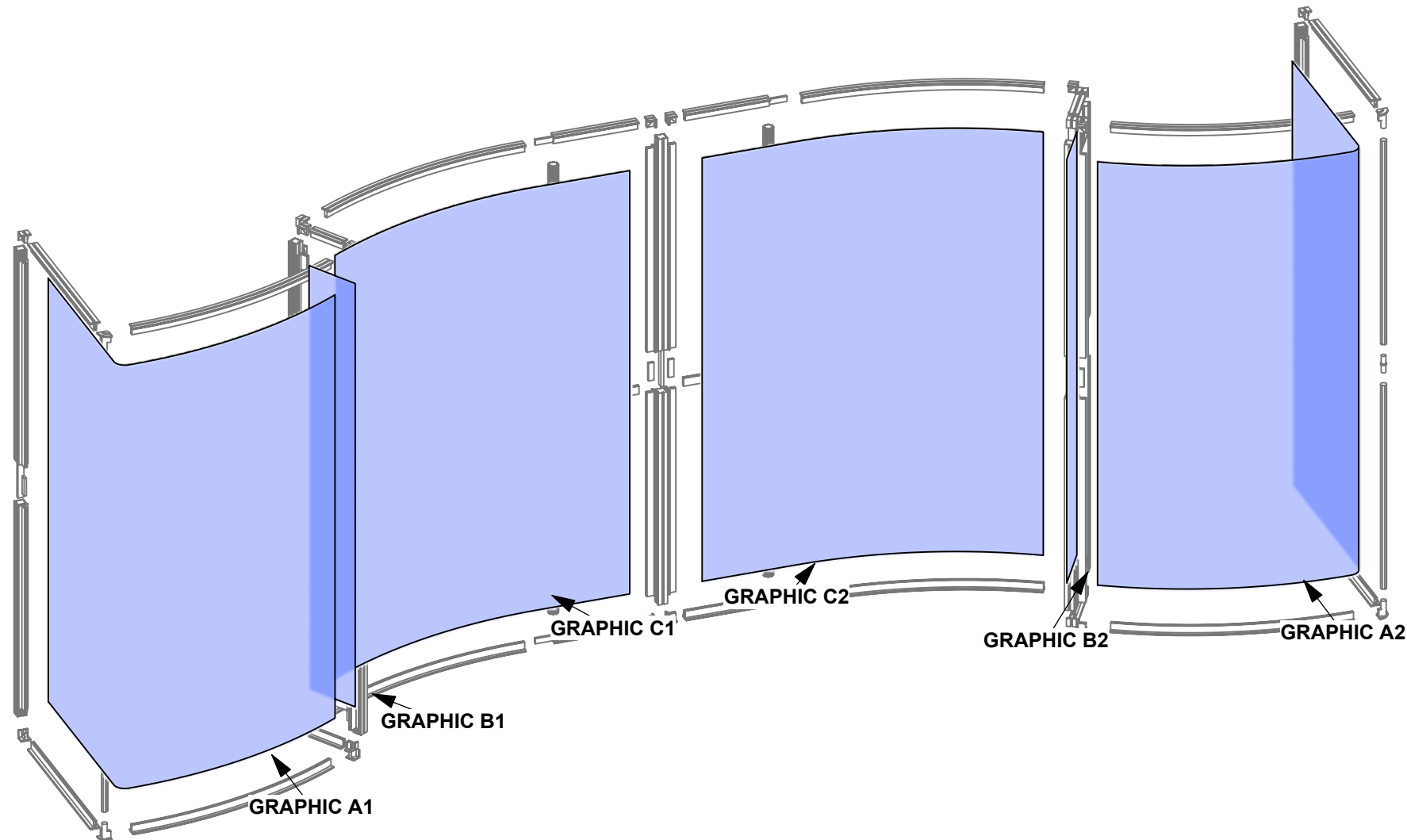
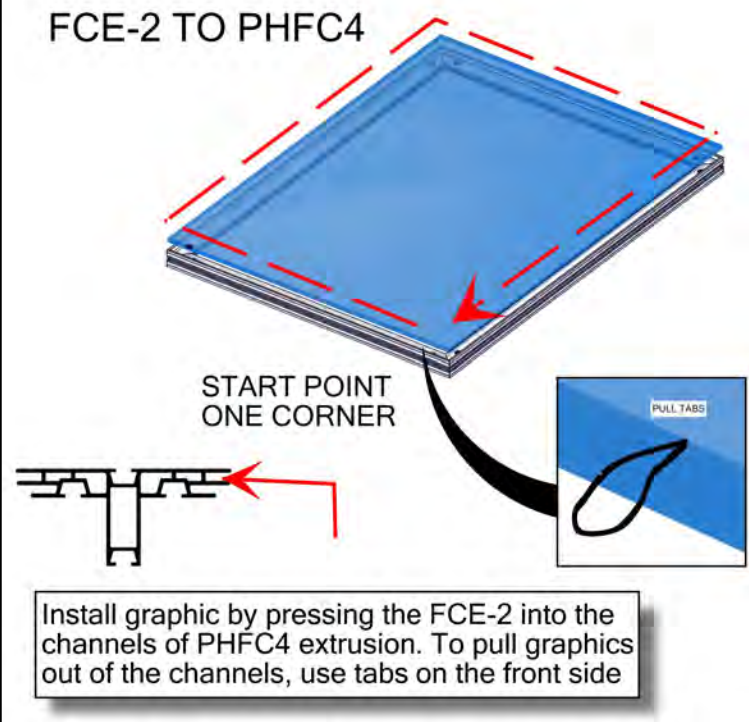
2400mm = (94 1/2")	Phone Line / Fax
2100mm = (82 5/8")	Internet connection
1800mm = (70 7/8")	Outlet
1500mm = (59")	Main Drop (point of distrution)
1200mm = (47 1/4")	
900mm = (35 1/2")	
600mm = (23 5/8")	
300mm = (11 7/8")	

--- Wire running under carpet

FCE-2 TO PHFC4



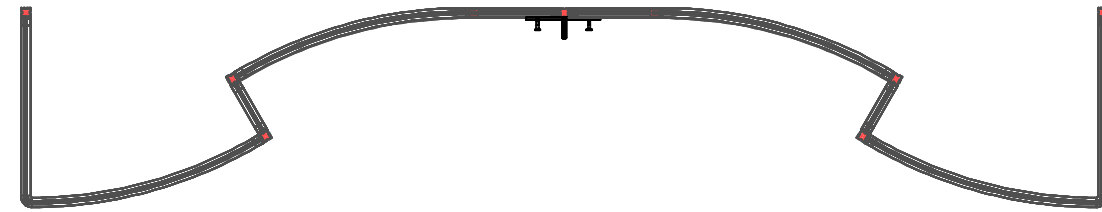
FCE-2 TO PHFC4



**HYBRID PRO RENTAL KIT**

Title: SET-UP INSTRUCTIONS

Code	#	Description
MM-MB	1	MEDIUM MONITOR BRACKET FOR MONITORS 15"-40"
R110	2	100MM (3.89") PH EXTRUSION WITH LOCKS 2 ENDS



1. Redesign of this exhibit without approval by manufacturer may result in dangerous and unsafe structures. Manufacturer disclaims any responsibility for redesigned exhibits it does not approve in writing.

2. Parts and components such as panels and extrusions are manufactured to metric sizing. Where ever possible sizes have been noted in feet and inches as well as in metric. Below is the imperial to metric sizing table as reference. "Nominal" refers to approximate size.

2400mm = (94 1/2")	Phone Line / Fax
2100mm = (82 5/8")	Internet connection
1800mm = (70 7/8")	Outlet
1500mm = (59")	Main Drop (point of distrution)
1200mm = (47 1/4")	
900mm = (35 1/2")	
600mm = (23 5/8")	
300mm = (11 7/8")	

--- Wire running under carpet

**MM-MB**

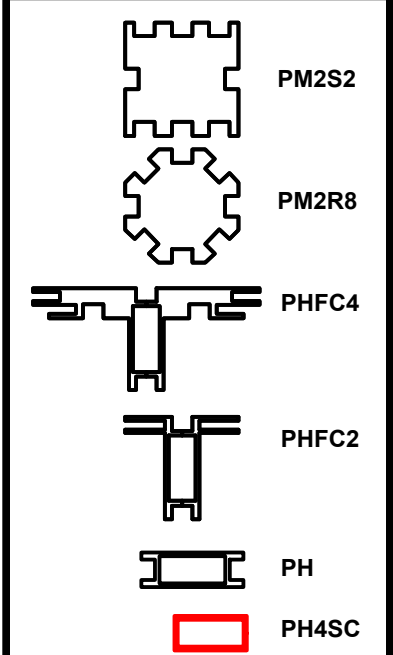
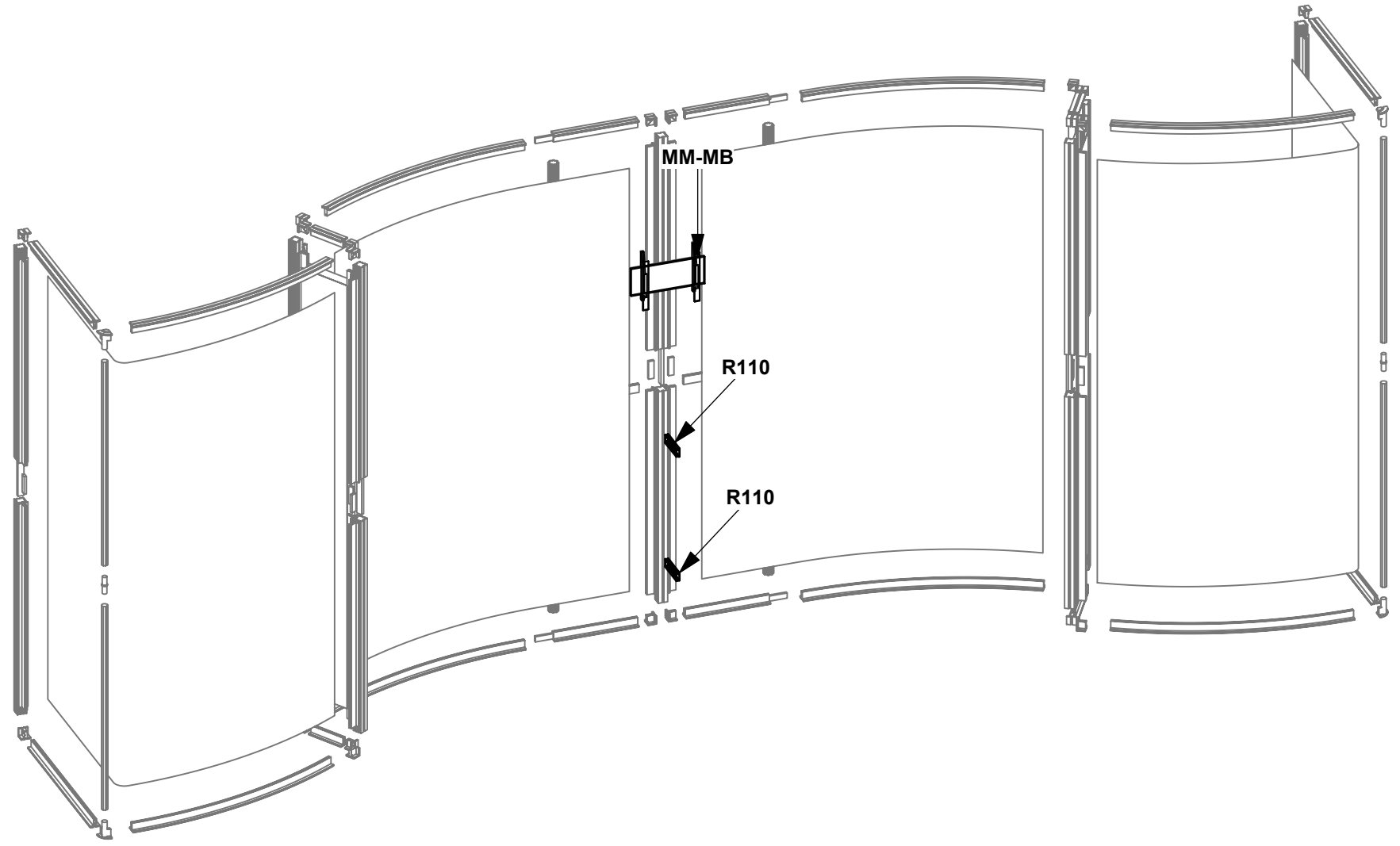
**1- INSERT BOLTS INTO MIDDLE CHANNEL. THEN SECURE MONITOR MOUNT WITH WING NUTS.**

**2- ATTACH MONITOR TO BRACKETS SEE SANUS MANUAL FOR MORE INFO**

**WARNING!**  
Locks should ONLY be turned a quarter turn, so as not to STRIP the locks by over torquing them

**5MM ALLEN KEY**

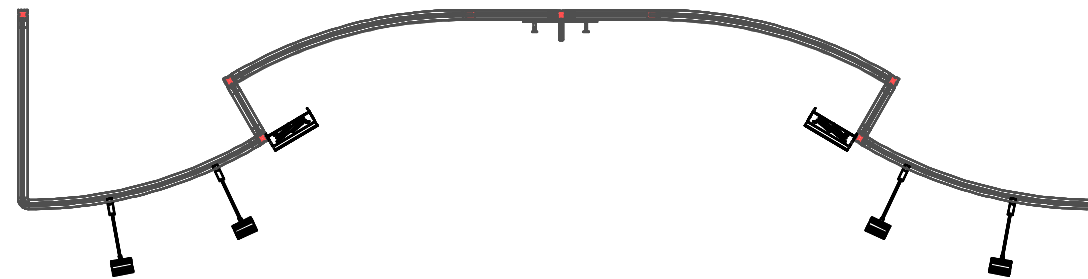
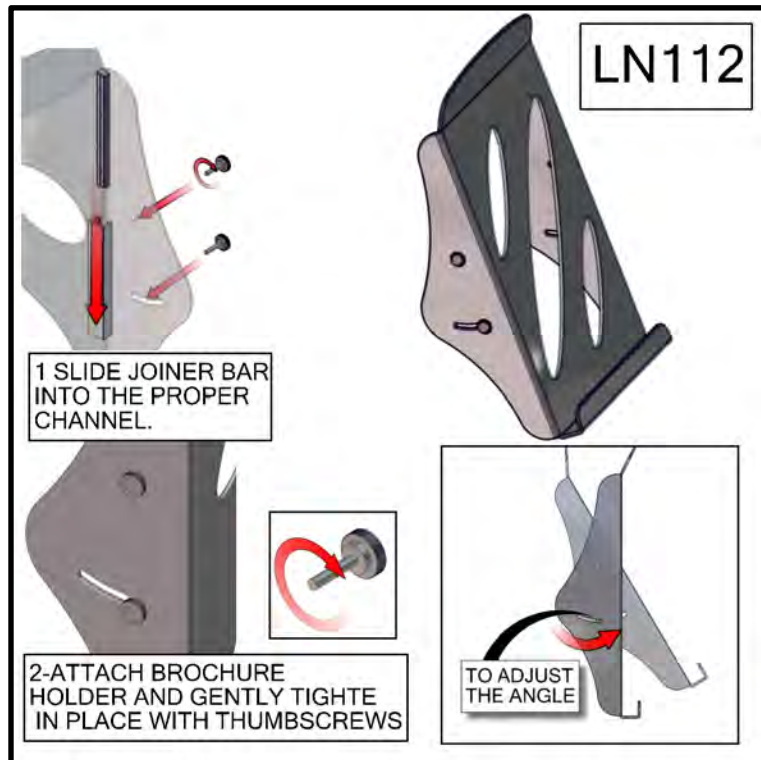
**LOCK EXTRUSION BY USING 5MM ALLEN KEY**



**HYBRID PRO RENTAL KIT**

Title: SET-UP INSTRUCTIONS

Code	#	Description
LN112	6	UNIVERSAL BROCHURE HOLDER WITH THUMB SCREW AND SUPPORT
LN112	6	A4 UNIVERSAL LITERATURE HOLDER
LEDL10B	4	LED SPOTLIGHT,3M,UL PLUG W/TRANSFORMER BLACK

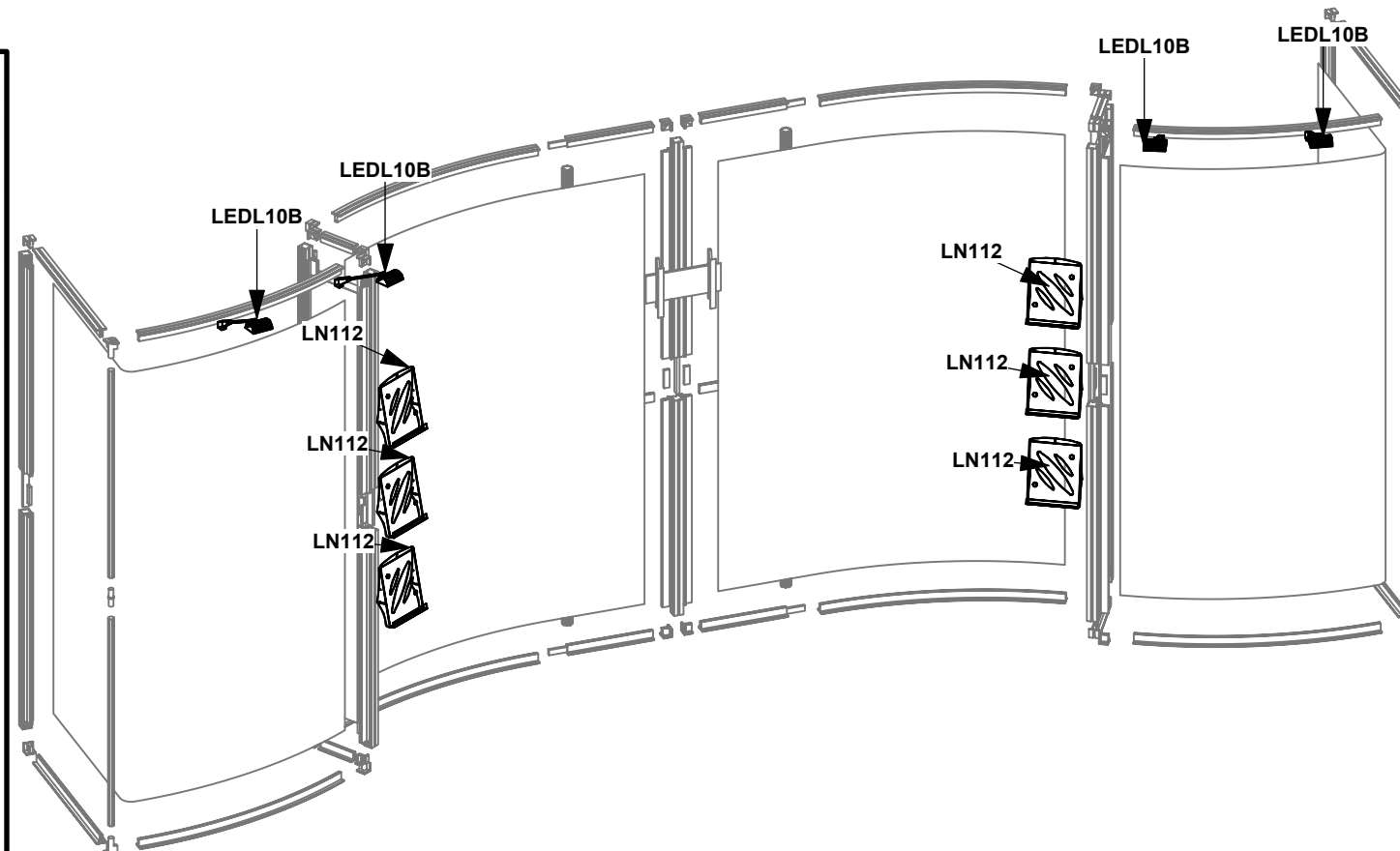
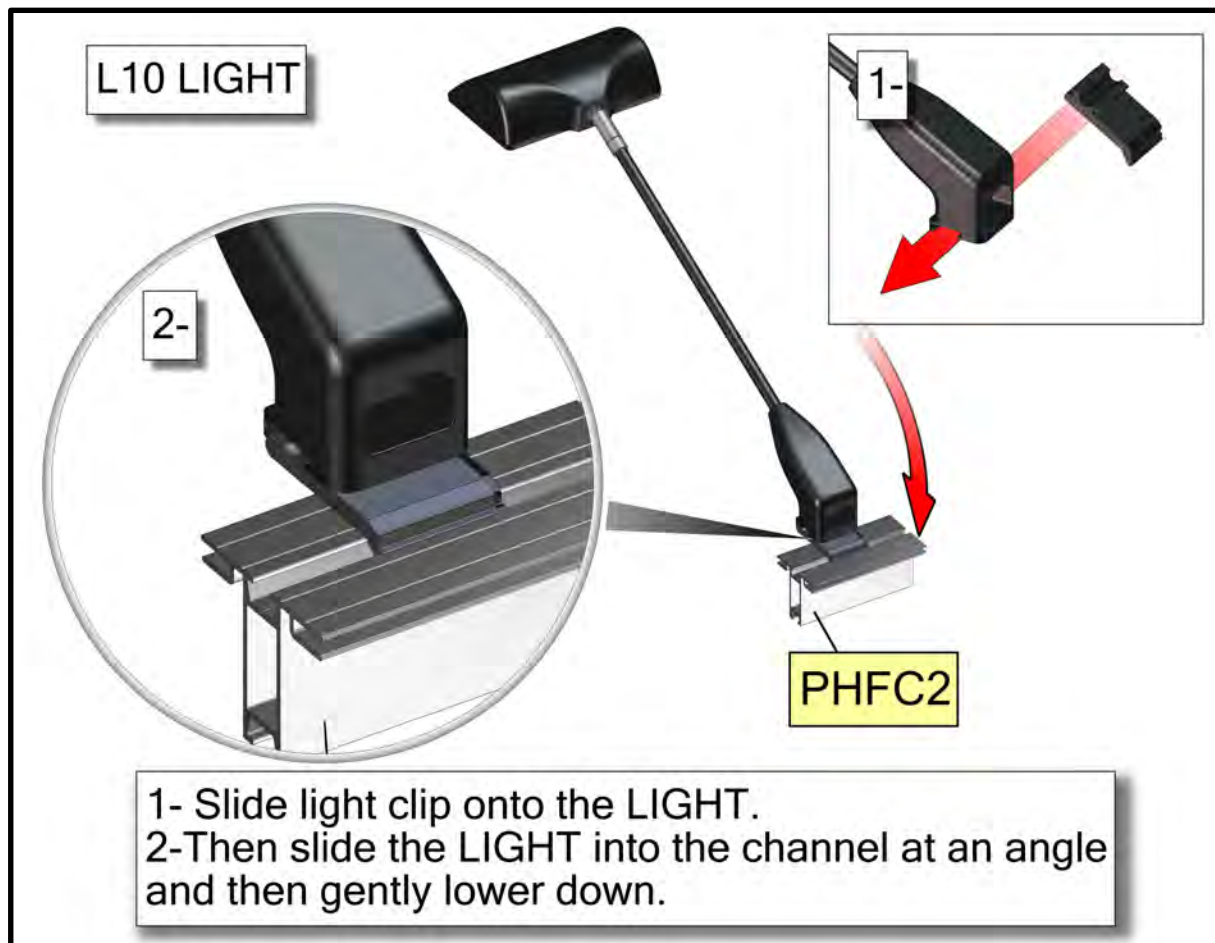
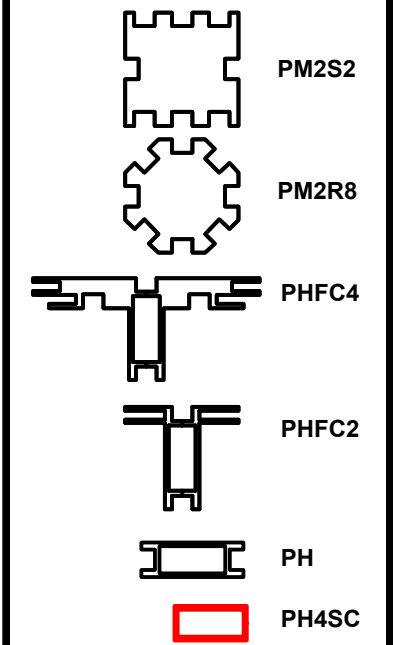


1. Redesign of this exhibit without approval by manufacturer may result in dangerous and unsafe structures. Manufacturer disclaims any responsibility for redesigned exhibits it does not approve in writing.

2. Parts and components such as panels and extrusions are manufactured to metric sizing. Where ever possible sizes have been noted in feet and inches as well as in metric. Below is the imperial to metric sizing table as reference. \*Nominal\* refers to approximate size.

2400mm = (94 1/2")	Phone Line / Fax
2100mm = (82 5/8")	Internet connection
1800mm = (70 7/8")	Outlet
1500mm = (59")	Main Drop (point of distrution)
1200mm = (47 1/4")	
900mm = (35 1/2")	
600mm = (23 5/8")	
300mm = (11 7/8")	

--- Wire running under carpet

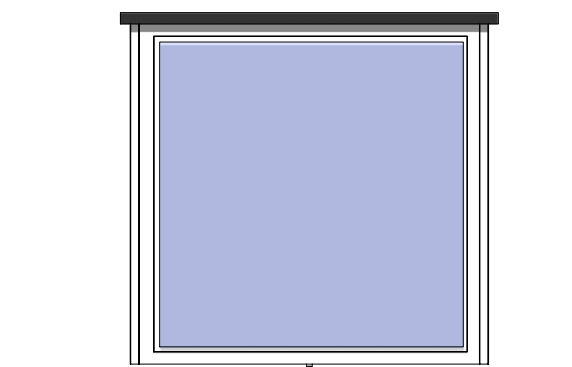
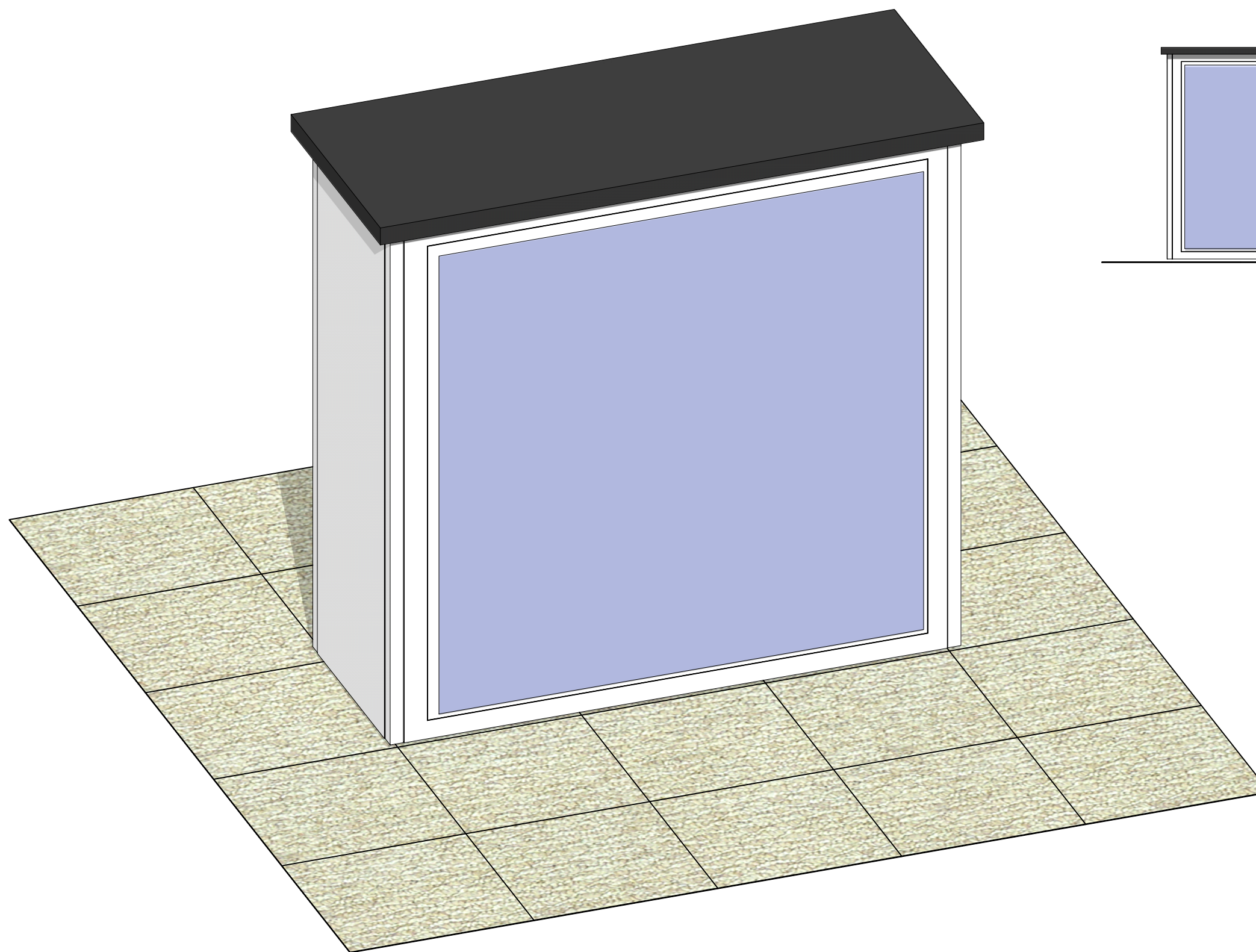


**HYBRID PRO RENTAL KIT**

Title: SET-UP INSTRUCTIONS

# R-HPC-03

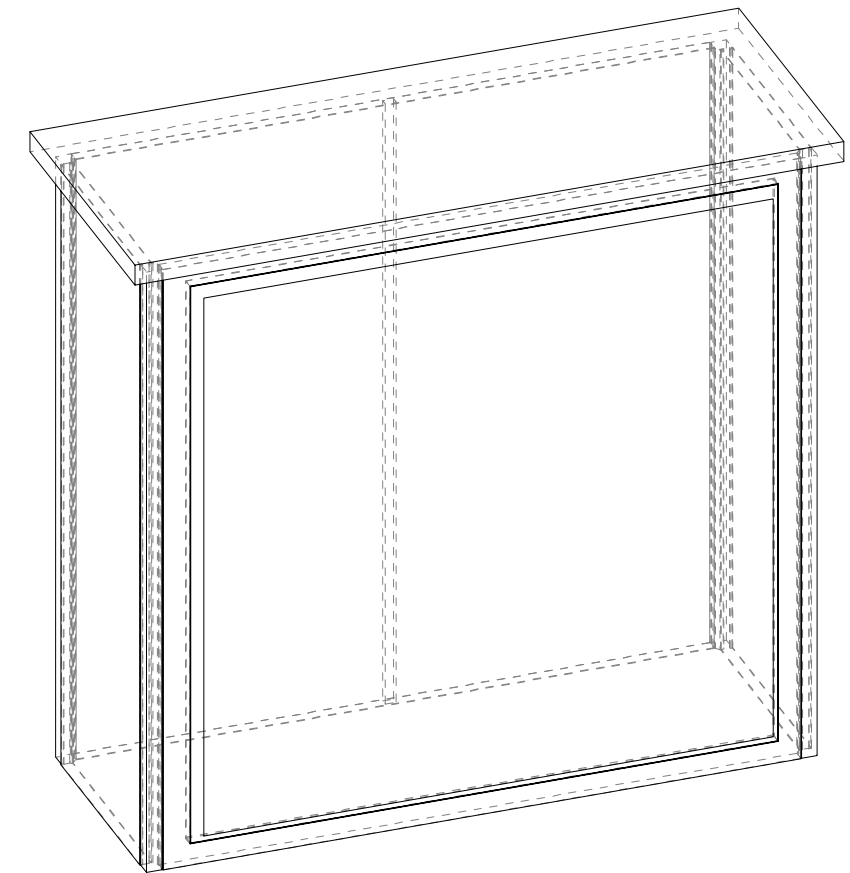
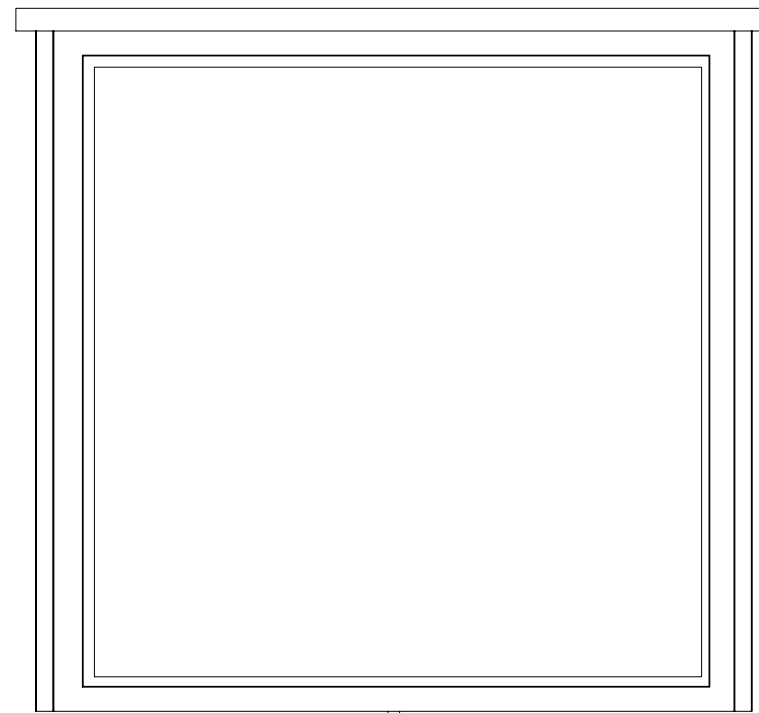
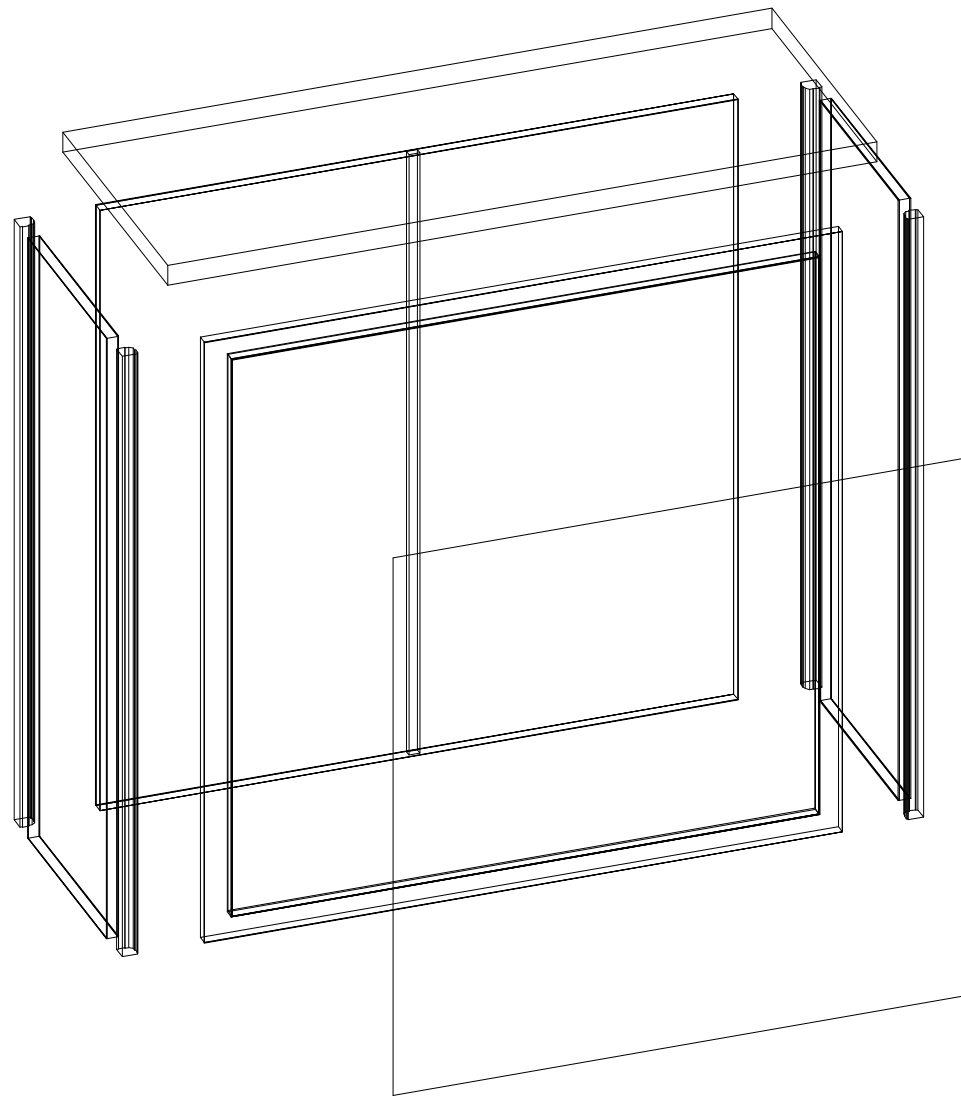
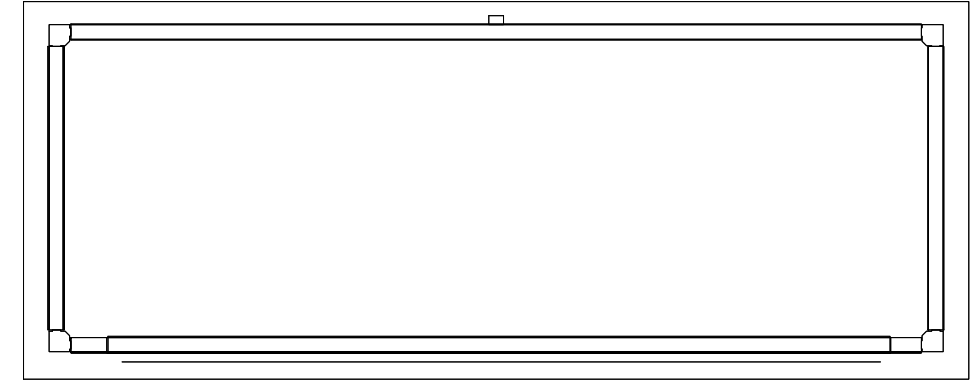
W/ GRAPHIC ON DOOR



Code	#	Description
R58	2	3 X 1 (900MM X 300MM) LAMINATE PANEL
PE-900	1	900MM (35.43") PE EXTRUSION
R57-1	1	3 X 3 (900MM X 900MM) LAMINATE PANEL W/ PE ATTACHED
L90S-900	4	900MM (35.43") 90 DEGREE SILVER LINK EXTRUSION90 DEGREE
CT-42L	1	4' X 2' LAMINATE COUNTER TOP
R56	1	900MM V x 900MM W LAMINATE CABNET DOOR
GRAPHIC D3	1	DOOR: 31 3/4" (H) X 31 5/8" (W) ROLLABLE DETACHABLE DSG GRAPHIC WITH MAGNET ON BACK PERIMETER

# BOM

R-HPC-03  
W/ GRAPHIC ON DOOR

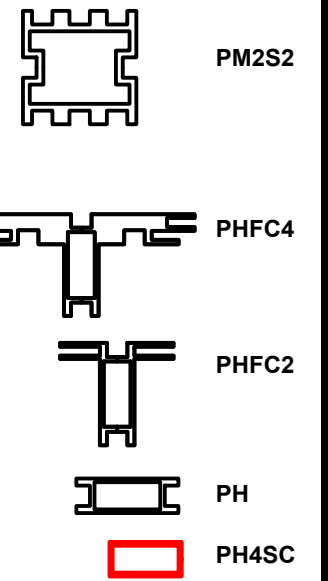
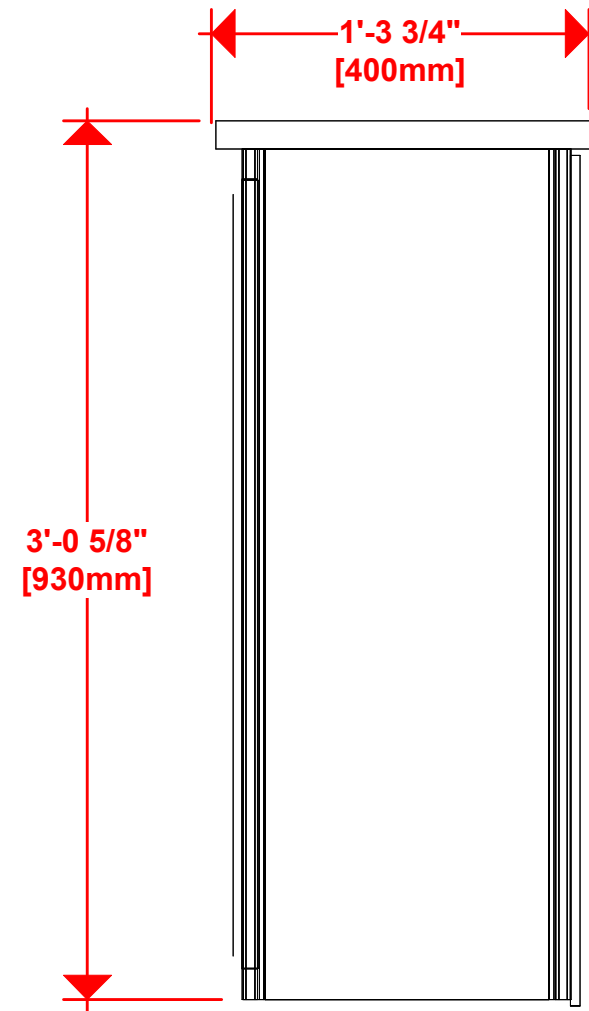
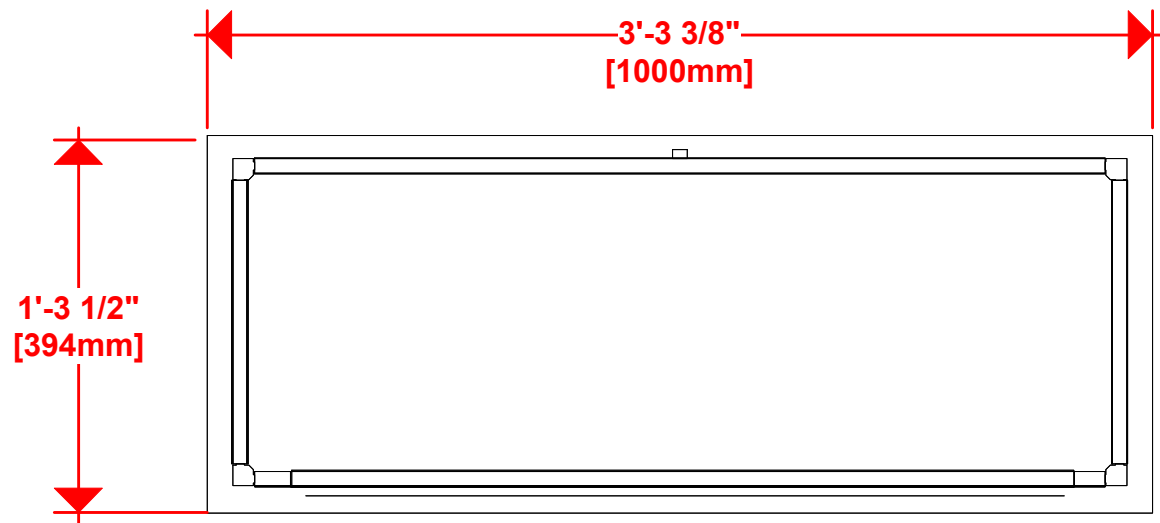


1. Redesign of this exhibit without approval by manufacturer may result in dangerous and unsafe structures. Manufacturer disclaims any responsibility for redesigned exhibits it does not approve in writing.

2. Parts and components such as panels and extrusions are manufactured to metric sizing. Where ever possible sizes have been noted in feet and inches as well as in metric. Below is the imperial to metric sizing table as reference. "Nominal" refers to approximate size.

2400mm = (94 1/2")	☒ Phone Line / Fax
2100mm = (82 5/8")	☒ Internet connection
1800mm = (70 7/8")	☒ Outlet
1500mm = (59")	☒ Main Drop (point of distrution)
1200mm = (47 1/4")	
900mm = (35 1/2")	
600mm = (23 5/8")	
300mm = (11 7/8")	

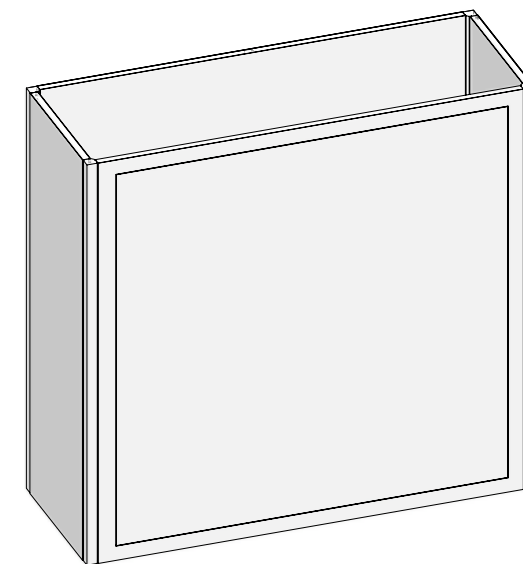
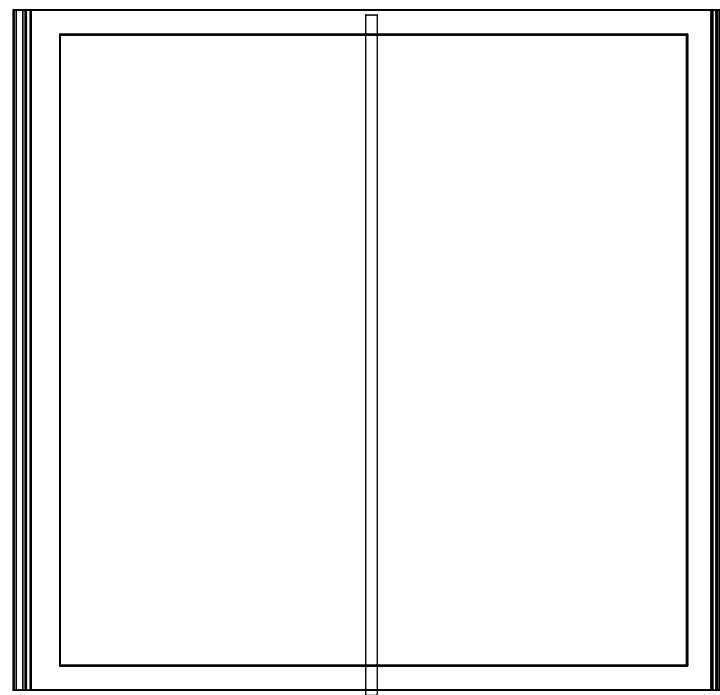
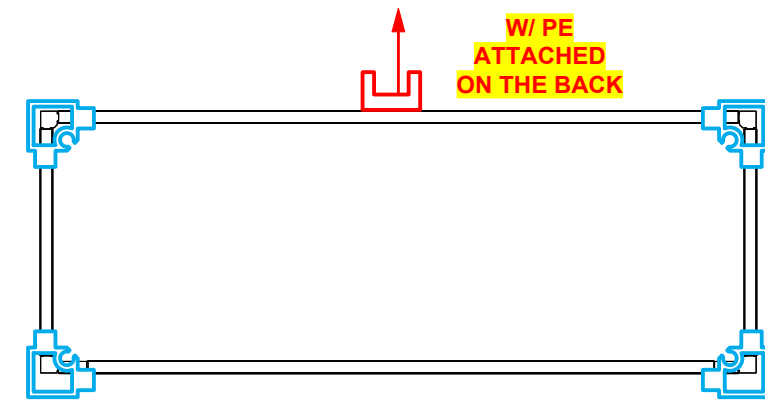
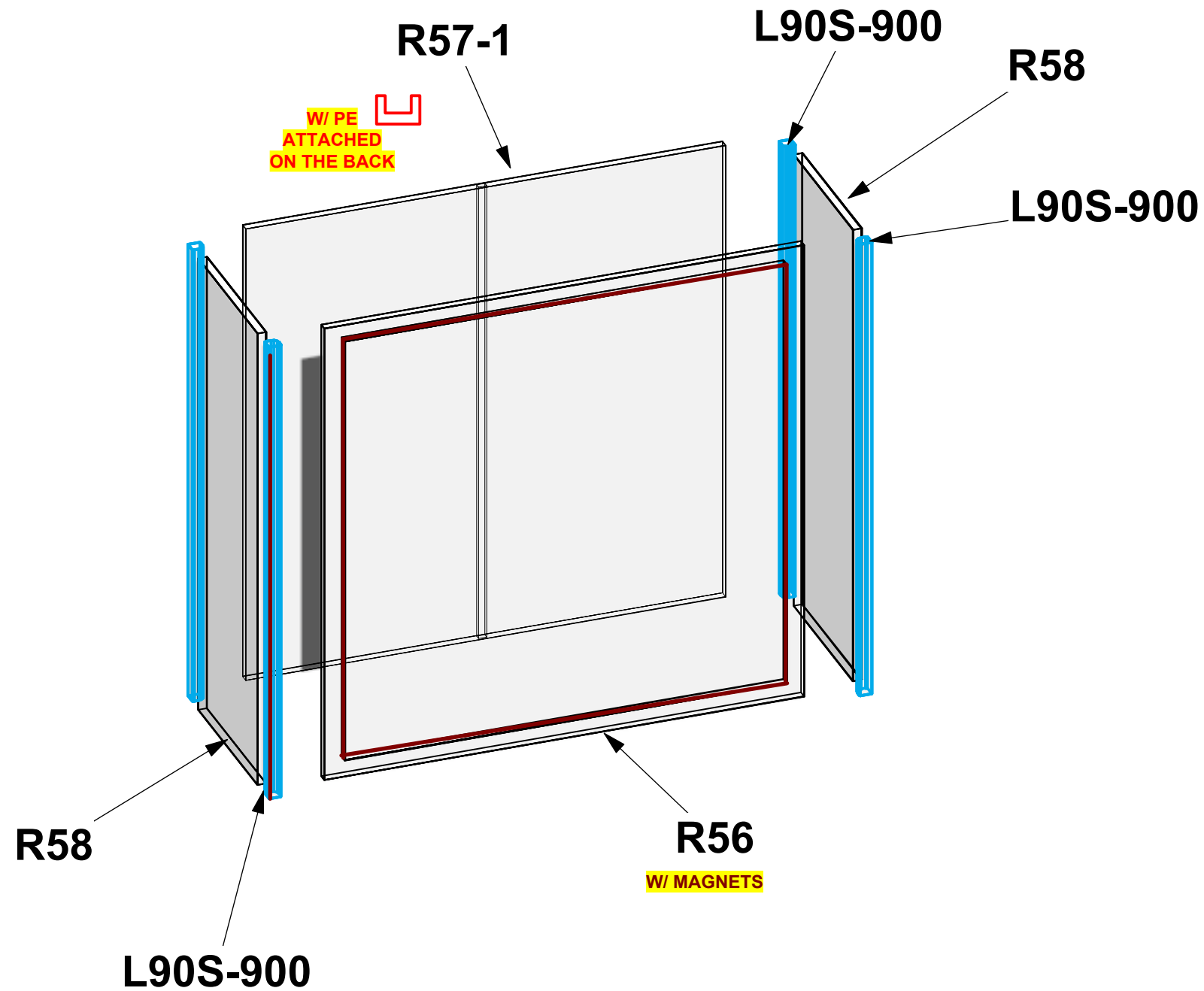
--- Wire running under carpet



**HYBRID PRO RENTAL KIT**

Title: SET-UP INSTRUCTIONS

Code	#	Description
R58	2	3 X 1 (900MM X 300MM) LAMINATE PANEL
PE-900	1	900MM (35.43") PE EXTRUSION
R57-1	1	3 X 3 (900MM X 900MM) LAMINATE PANEL W/ PE ATTACHED
L90S-900	4	900MM (35.43") 90 DEGREE SILVER LINK EXTRUSION 90 DEGREE
R56	1	900MM V x 900MM W LAMINATE CABNET DOOR

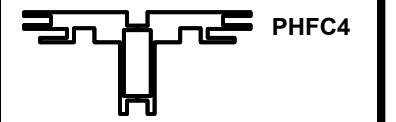
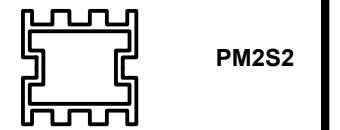


1. Redesign of this exhibit without approval by manufacturer may result in dangerous and unsafe structures. Manufacturer disclaims any responsibility for redesigned exhibits it does not approve in writing.

2. Parts and components such as panels and extrusions are manufactured to metric sizing. Where ever possible sizes have been noted in feet and inches as well as in metric. Below is the imperial to metric sizing table as reference. "Nominal" refers to approximate size.

2400mm = (94 1/2")	Phone Line / Fax
2100mm = (82 5/8")	Internet connection
1800mm = (70 7/8")	Outlet
1500mm = (59")	Main Drop (point of distrution)
1200mm = (47 1/4")	
900mm = (35 1/2")	
600mm = (23 5/8")	
300mm = (11 7/8")	

--- Wire running under carpet

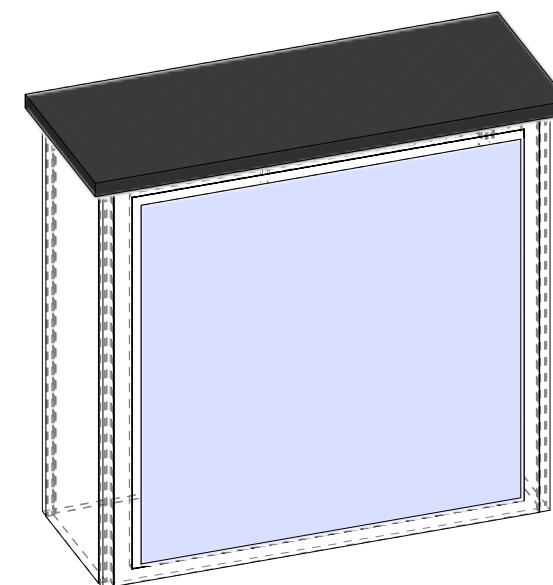
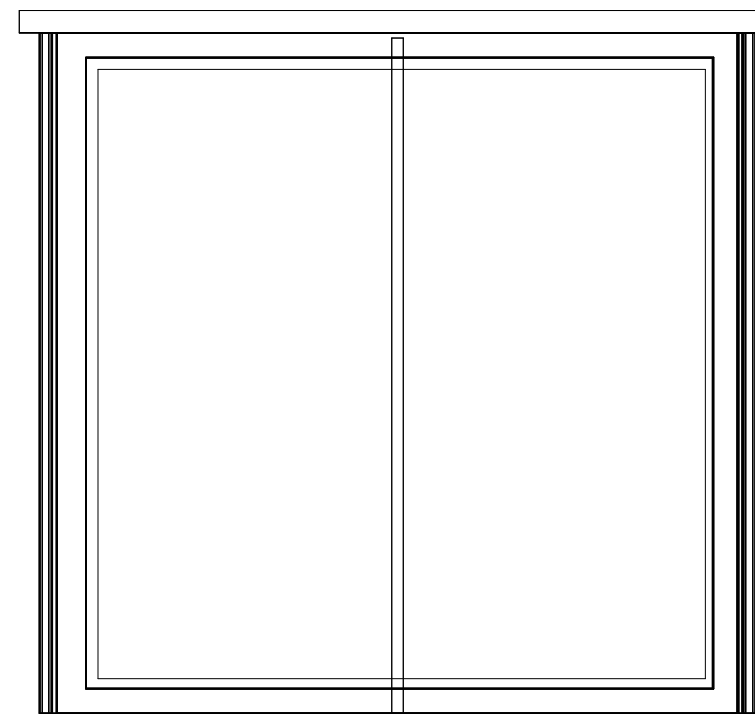
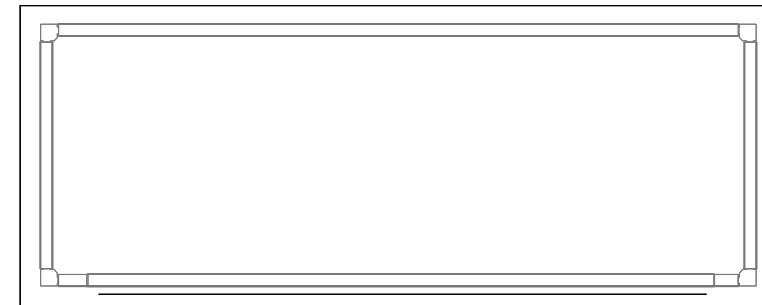
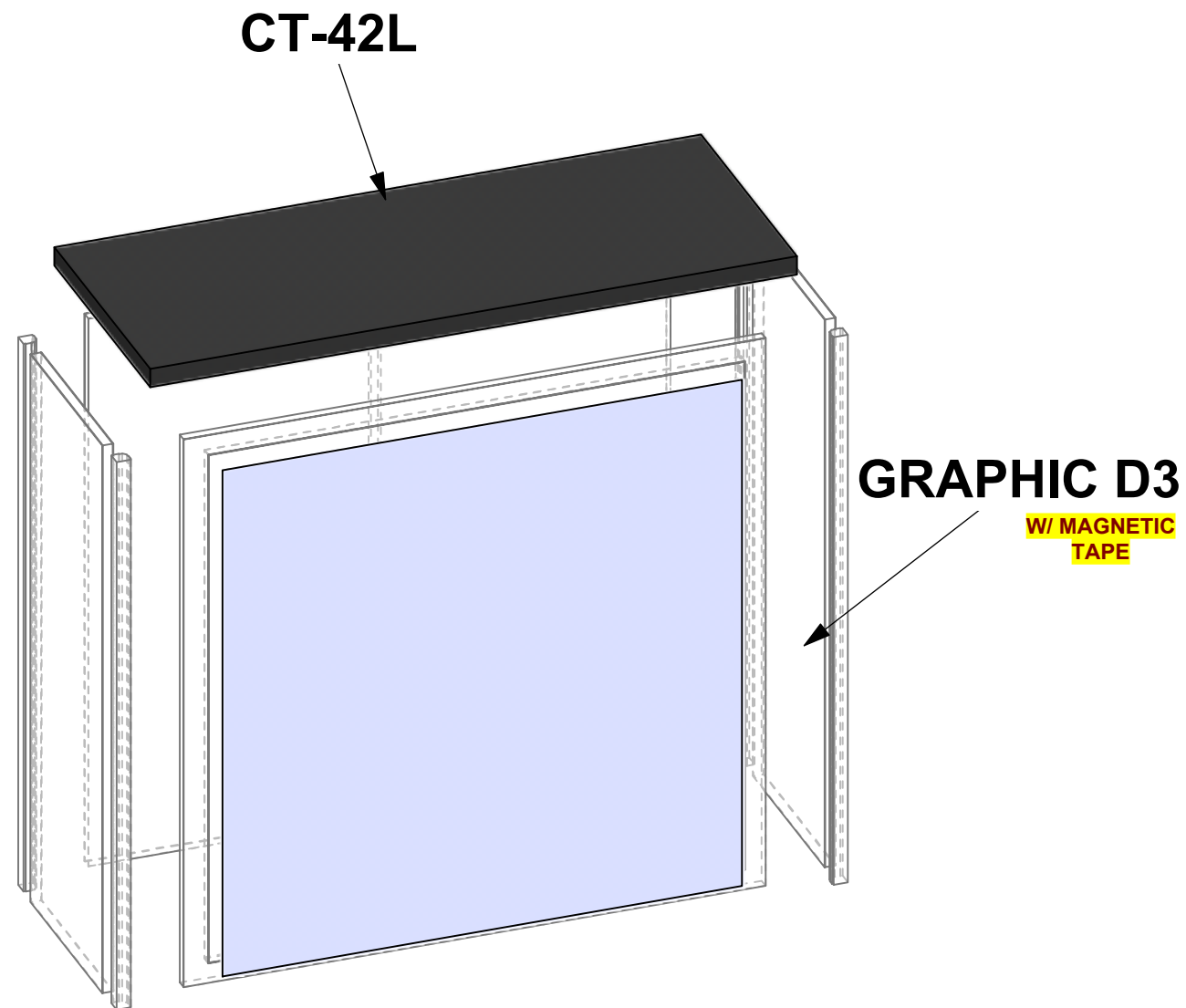


HYBRID PRO RENTAL KIT

Title: SET-UP INSTRUCTIONS



Code	#	Description
CT-42L	1	4' X 2' LAMINATE COUNTER TOP
GRAPHIC D3	1	DOOR: 31 3/4" (H) X 31 5/8" (W) ROLLABLE DETACHABLE DSG GRAPHIC WITH MAGNET ON BACK PE

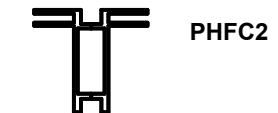
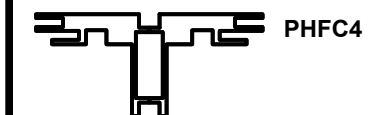
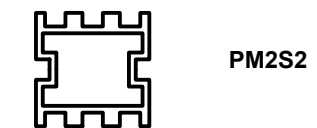


1. Redesign of this exhibit without approval by manufacturer may result in dangerous and unsafe structures. Manufacturer disclaims any responsibility for redesigned exhibits it does not approve in writing.

2. Parts and components such as panels and extrusions are manufactured to metric sizing. Where ever possible sizes have been noted in feet and inches as well as in metric. Below is the imperial to metric sizing table as reference. "Nominal" refers to approximate size.

- 2400mm = (94 1/2") Phone Line / Fax
- 2100mm = (82 5/8") Internet connection
- 1800mm = (70 7/8")
- 1500mm = (59") Outlet
- 1200mm = (47 1/4")
- 900mm = (35 1/2") Main Drop (point of distrution)
- 600mm = (23 5/8")
- 300mm = (11 7/8")

--- Wire running under carpet



HYBRID PRO RENTAL KIT

Title: SET-UP INSTRUCTIONS

# **PACKING INSTRUCTIONS**



2



4



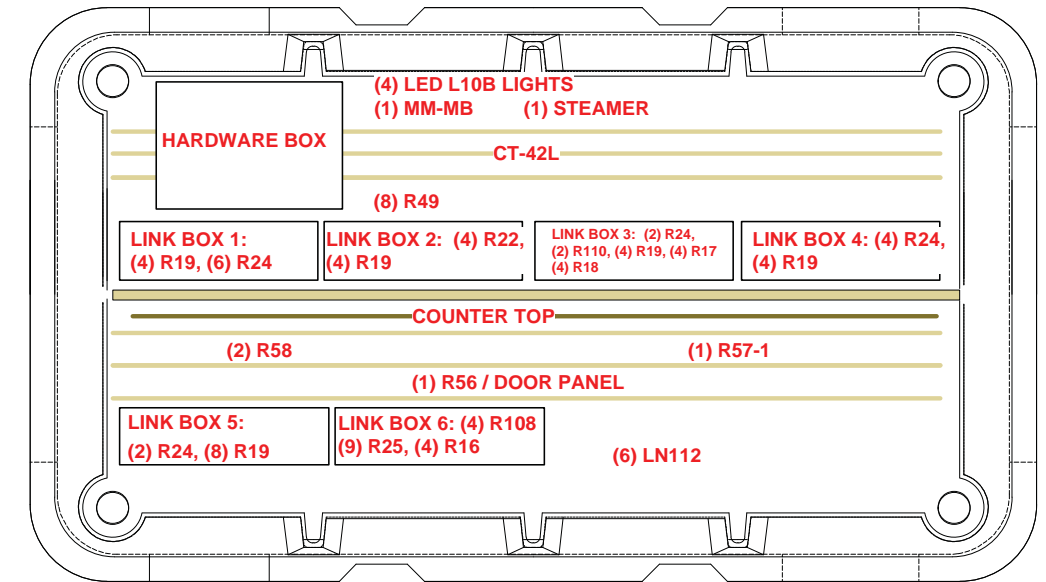
1



3



HARDWARE BOX



# CASE # 1

<b>LEGEND</b>		GREY FOAM FOLDED TO FILL EMPTY SPACES OR USED AS PROTECTION
		1/8" CARDBOARD SPACER (PUT IN BETWEEN EVERY PANEL)
		DIVIDER
		1/4" WHITE FOAM (USED AS PROTECTION DOOR PANELS W/ LOCKS)

