

# Hybrid Pro Modular Kit 15

## HP-K-15

Hybrid Pro™ Modular exhibits and counters are a perfect solution for the serious exhibitor. Exhibits feature heavy-duty aluminum extrusion frames and push-fit fabric graphics. Count on making an unforgettable impact with Hybrid Pro Modular exhibit kits, counters, and accessories.

## features and benefits:

- Silver aluminum extrusion frame
- Single-sided SEG dye-sublimated push-fit fabric graphics
- Pillowcase fabric graphic
- Easy step-by-step instructions
- Kit includes frame, side/top white accent, seven fabric graphic panels, three pillowcase fabric graphics, one backwall counter, one medium monitor mount, one molded OCE case and one SCRATCH case
- Lifetime hardware warranty against manufacturer defects

## dimensions:

### Hardware

Assembled unit:  
233.38" w x 95.63" h x 78.75" d  
5928mm(w) x 2429mm(h) x 2000mm(d)

Counter:  
30.63" w x 40.5" h x 18.75" d approx.  
778mm(w) x 1029mm(h) x 476mm(d)

Counter holds max weight 50 lbs / 22.68 kgs

### Shipping

Shipping dimensions - ships in 2 cases:  
1 OCE case: 18" l x 40" - 66" h x 18" d  
457mm(l) x 1016mm - 1676mm(h) x 457mm(d)

1 SCRATCH case: 59" l x 57" h x 33" d  
1499mm(l) x 1448mm(h) x 838mm(d)

Approximate shipping weight (entire kit):  
449 lbs / 204 kgs

### Graphic

Refer to related graphic templates for more information

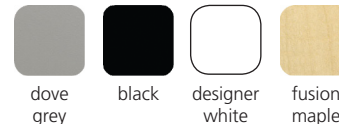
Visit:  
[www.exhibitors-handbook.com/graphic-templates](http://www.exhibitors-handbook.com/graphic-templates)

## additional information:

Graphic material: Dye-sublimated fabric

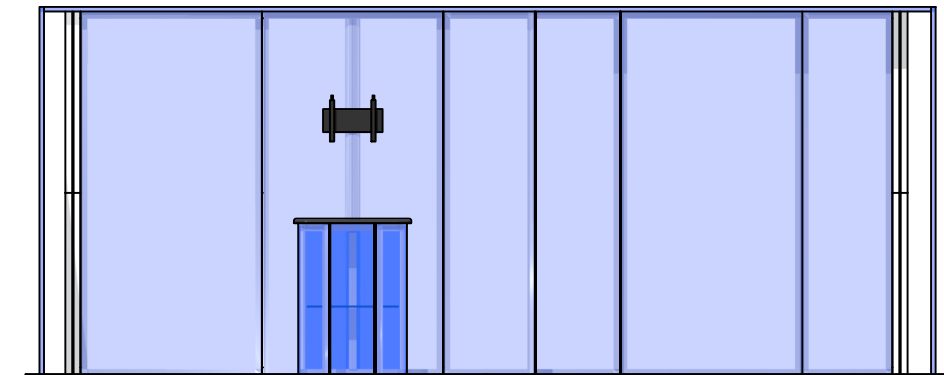
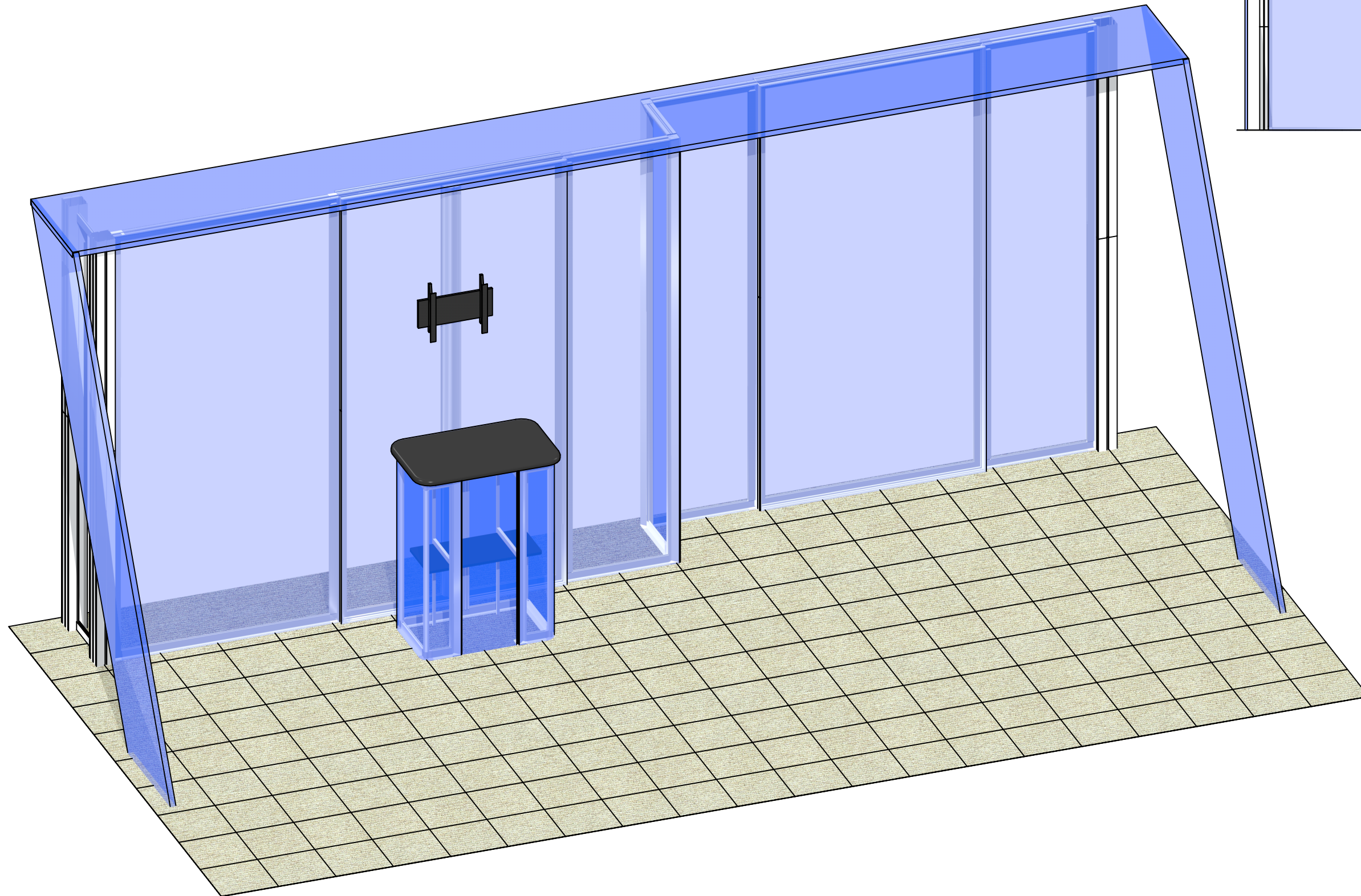
Medium monitor bracket holds 26-40" LCD,  
max. weight 50 lbs / 22.68 kgs  
\*LCD monitor not included

Laminate counter color options:



We are continually improving and modifying our product range and reserve the right to vary the specifications without prior notice. All dimensions and weights quoted are approximate and we accept no responsibility for variance. E&OE. See Graphic Templates for graphic bleed specifications.

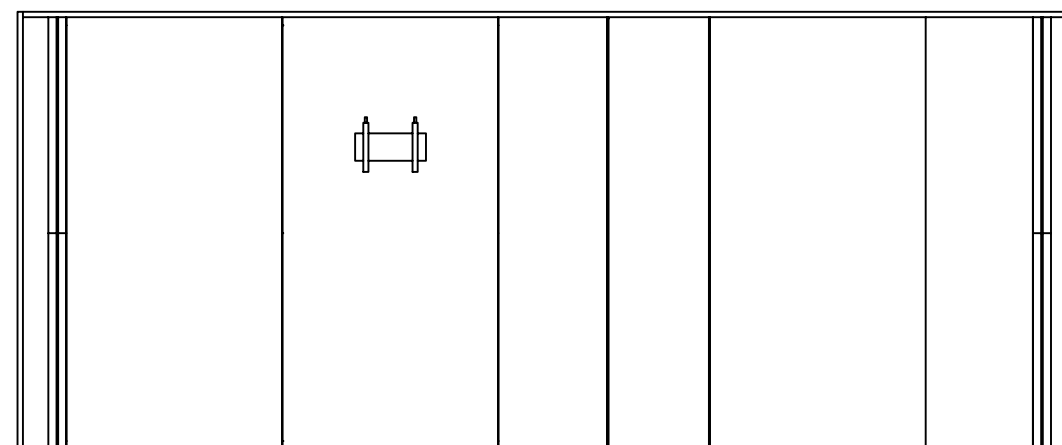
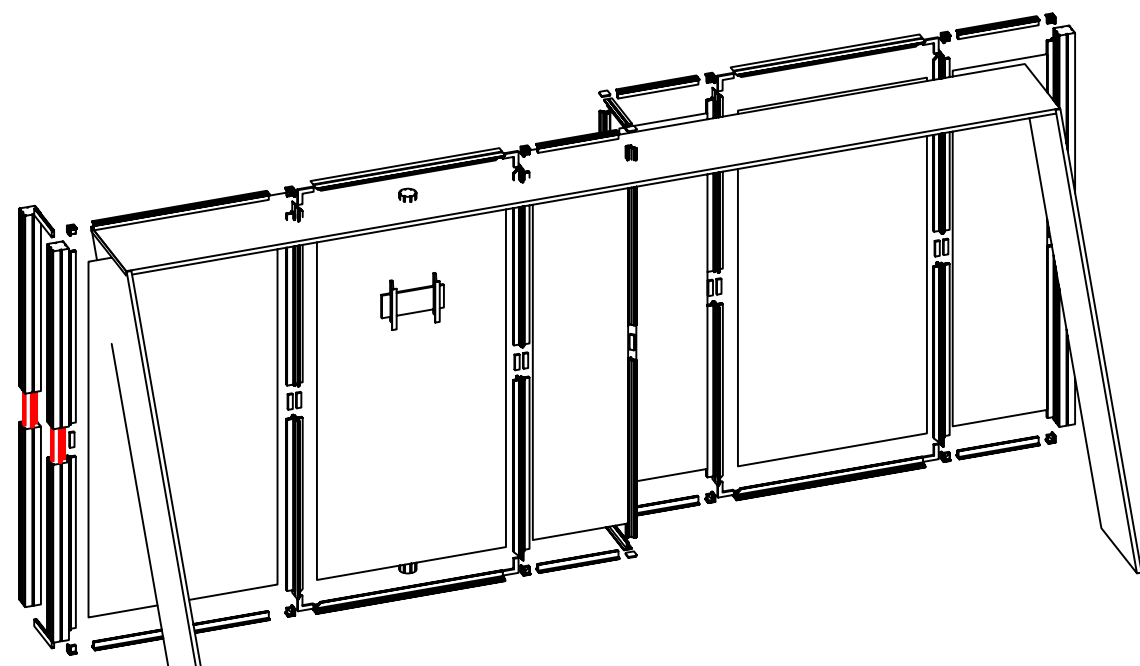
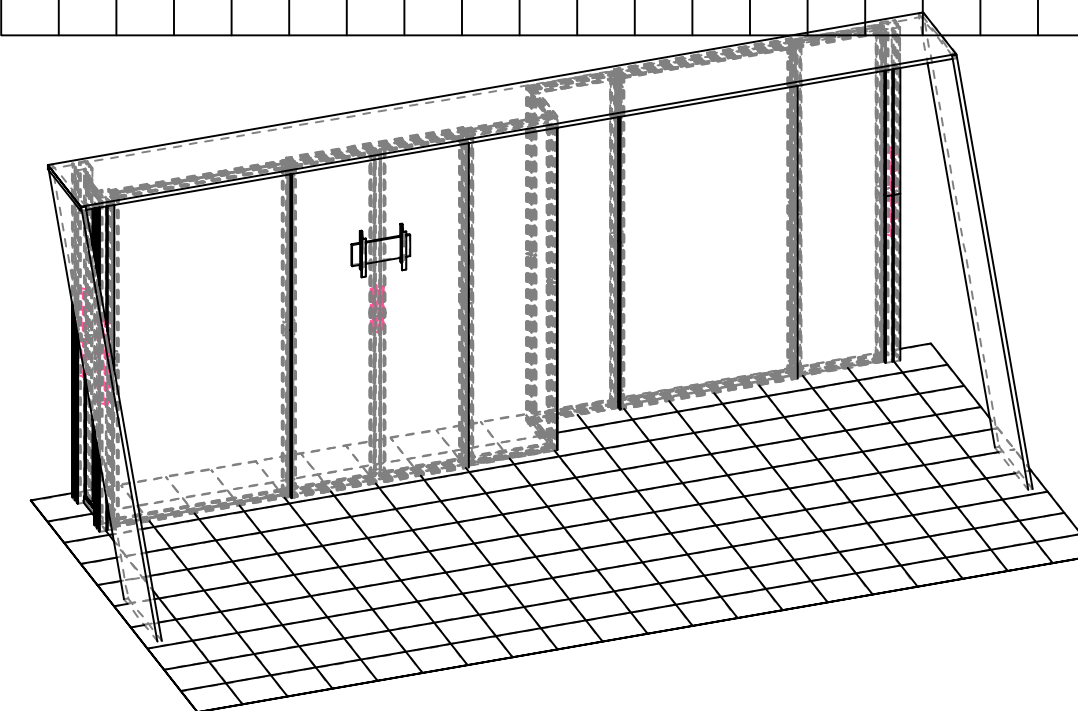
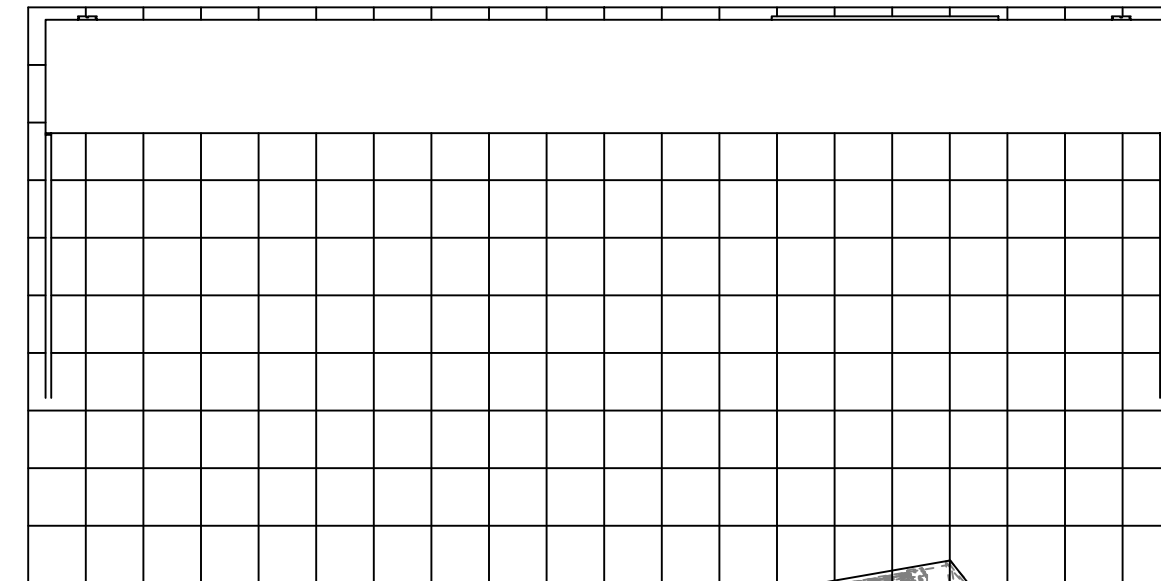
R-HP-K-15



| Code        | #  | Description  |
|-------------|----|--|
| R65         | 4  | 1193MM (46.97") PMFC2-90 EXTRUSION-WITH IB2 LOCK HOLES BOTH SIDES                      |
| R9          | 2  | 1200MM (47.24") PHFC4 EXTRUSION WITH MITRE CUT 1 END FOR CB9 ONE END-IB2 HOLES ONE END |
| R9          | 2  | 1200MM (47.24") PHFC4 EXTRUSION WITH MITRE CUT BOTH ENDS                               |
| R27         | 8  | 1200MM (47.24") PHFC4 EXTRUSION WITH MITRE CUT 1 END FOR CB9 ONE END-IB2 HOLES ONE END |
| IB2         | 12 | PH INLINE CONNECTOR  |
| CB9         | 8  | CB9 CORNER BRACKET   |
| R55         | 6  | 510MM (20.08") PHFC2 EXTRUSION WITH LOCKS 2 ENDS                                       |
| R19         | 12 | 1155MM (45.47") PHFC2 EXTRUSION WITH IB2 HOLE ONE SIDE-WITH LOCK 1 END WITH BIKE LOCKS |
| R12         | 2  | 1155MM (45.47") 100MM PM4R8 ROUND EXTRUSION WITH LOCKS 1 END WITH PH2 STOP AT 305MM    |
| R14         | 1  | 300MM (11.81") PM4D CONNECTOR WITH TENSION GLIDES                                      |
| CB9-S       | 12 | 50MM SQUARE PHFC2 CORNER BRACKET   |
| R37         | 2  | 1110MM (43.70") PHFC2 EXTRUSION WITH LOCKS 2 ENDS                                      |
| PMFC2-90-CP | 4  | PMFC2 90 DEGREE EXTRUSION CAP  |
| R64         | 2  | 339MM (13.35") PHFC2 EXTRUSION WITH LOCKS 2 ENDS                                       |
| R15         | 6  | 1200MM (47.24") 100MM PM4S2 SQUARE EXTRUSION WITH PH2 STOP AT 600MM                    |
| GRAPHIC G   | 1  | 94.5"H X 23.62"W SINGLE SIDED DYESUB GRAPHIC W/FCE-2 ON PERIMETER                      |
| R13         | 3  | 600MM (23.62") PM4D CONNECTOR WITH TENSION GLIDES                                      |
| GRAPHIC C   | 1  | 94.5"H X 23.82"W SINGLE SIDED DYESUB GRAPHIC W/FCE-2 ON PERIMETER                      |
| R8          | 2  | 300MM (11.81") PH EXTRUSION WITH LOCKS 2 ENDS  |
| CUST-FS     | 1  | APPROX. 230" W X 24" D 30MM TUBE STRUCTURE CANOPY                                      |
| CUST-FS     | 2  | APPROX. 124" L X 20" D ANGLED 30MM TUBE STRUCTURE                                      |
| CUSTOM FS   | 1  | ONE PIECE CUSTOM 30MM TUBE FABRIC STRUCTURE  |
| GRAPHIC A   | 1  | 94.5"H X 47.24"W SINGLE SIDED DYESUB GRAPHIC W/FCE-2 ON PERIMETER                      |
| GRAPHIC B   | 1  | 94.5"H X 47.24"W SINGLE SIDED DYESUB GRAPHIC W/ FCE-2 (SEG) ON PERIMETER               |
| GRAPHIC F   | 1  | 94.5"H X 47.24"W SINGLE SIDED DYESUB GRAPHIC W/ FCE-2 (SEG) ON PERIMETER               |
| GRAPHIC E   | 1  | 94.5"H X 23.82"W SINGLE SIDED DYESUB GRAPHIC W/FCE-2 ON PERIMETER                      |
| GRAPHIC D   | 1  | 94.5"H X 15.55"W SINGLE SIDED DYESUB GRAPHIC W/FCE-2 ON PERIMETER                      |
| MM-MB       | 1  | MEDIUM MONITOR BRACKET FOR MONITORS 15"-40"  |

# BOM

R-HP-K-15

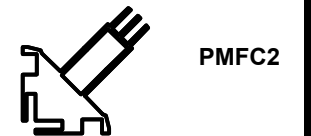
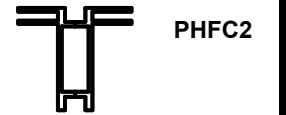
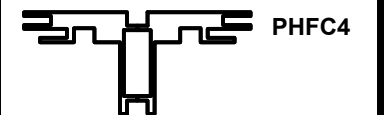
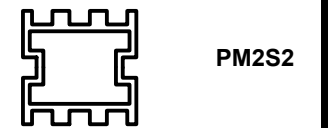
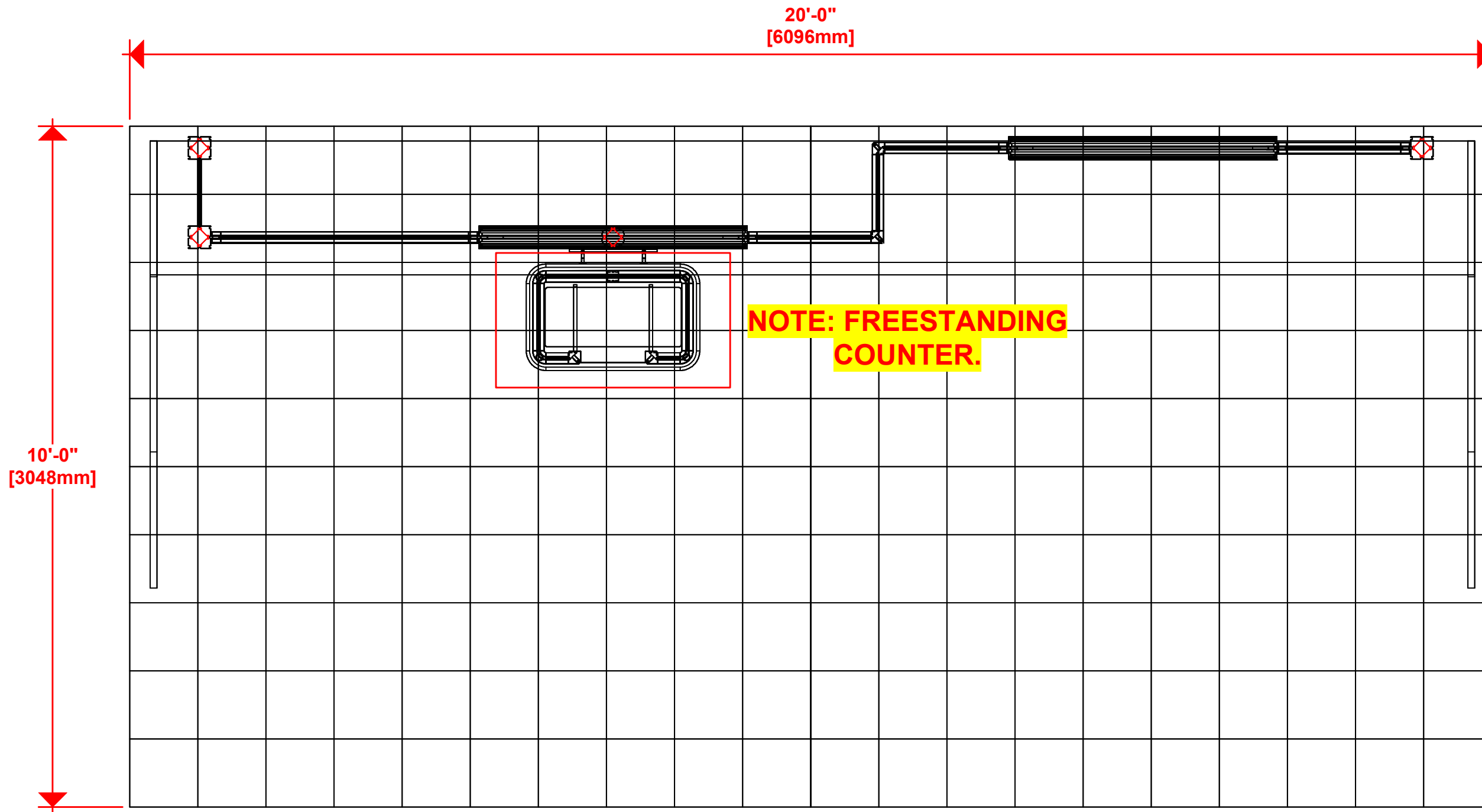


1. Redesign of this exhibit without approval by manufacturer may result in dangerous and unsafe structures. Manufacturer disclaims any responsibility for redesigned exhibits it does not approve in writing.

2. Parts and components such as panels and extrusions are manufactured to metric sizing. Where ever possible sizes have been noted in feet and inches as well as in metric. Below is the imperial to metric sizing table as reference. "Nominal" refers to approximate size.

- |                    |                                   |
|--------------------|-----------------------------------|
| 2400mm = (94 1/2") | ▼ Phone Line / Fax                |
| 2100mm = (82 5/8") | ▼ Internet connection             |
| 1800mm = (70 7/8") | ▼ Outlet                          |
| 1500mm = (59")     | ▼ Main Drop (point of distrution) |
| 1200mm = (47 1/4") |                                   |
| 900mm = (35 1/2")  |                                   |
| 600mm = (23 5/8")  |                                   |
| 300mm = (11 7/8")  |                                   |

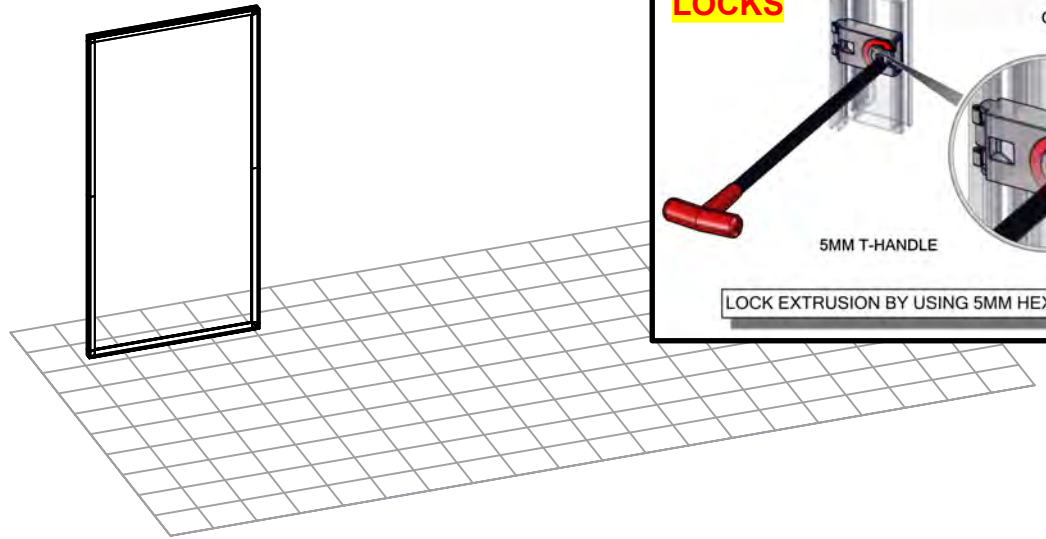
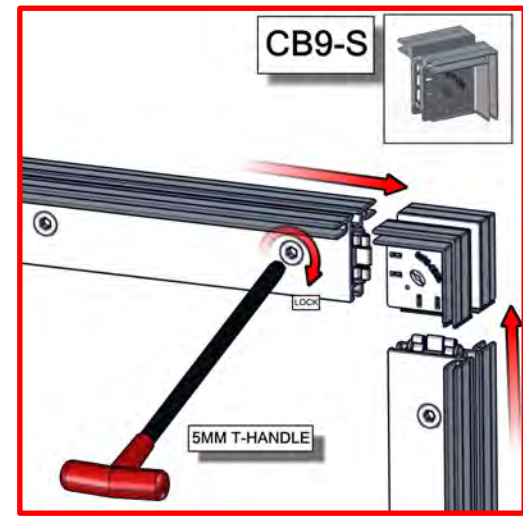
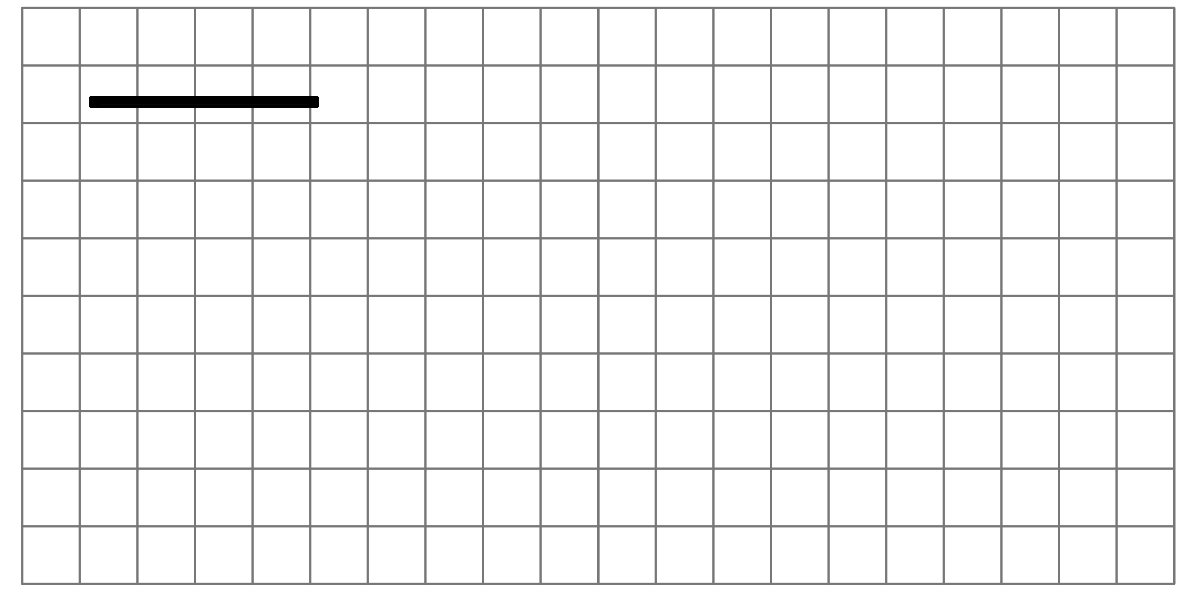
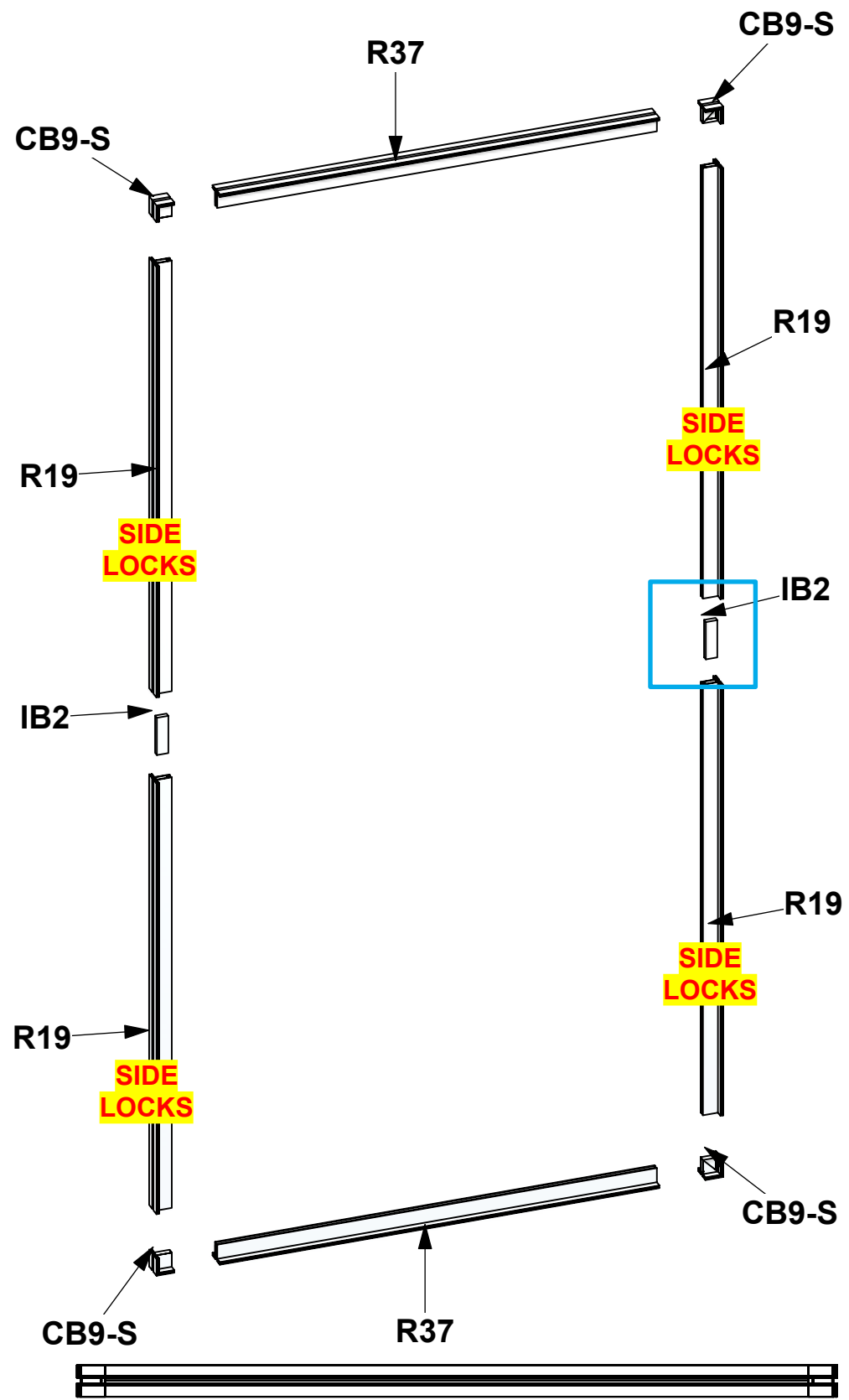
--- Wire running under carpet



**HYBRID PRO RENTAL KIT**

Title: SET-UP INSTRUCTIONS

| Code  | # | Description   |
|-------|---|---|
| R37   | 2 | 1110MM (43.70") PHFC2 EXTRUSION WITH LOCKS 2 ENDS                             |
| R19   | 4 | 1155MM (45.47") PHFC2 EXTRUSION WITH IB2 HOLE ONE SIDE-WITH LOCK 1 END WITH B |
| IB2   | 2 | PH INLINE CONNECTOR   |
| CB9-S | 4 | 50MM SQUARE PHCF2 CORNER BRACKET  |

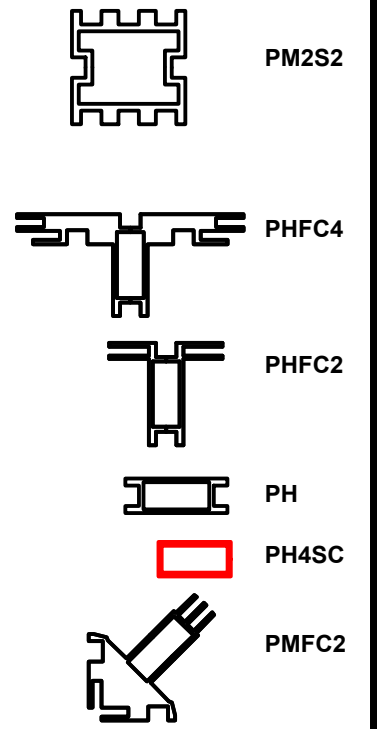


1. Redesign of this exhibit without approval by manufacturer may result in dangerous and unsafe structures. Manufacturer disclaims any responsibility for redesigned exhibits it does not approve in writing.

2. Parts and components such as panels and extrusions are manufactured to metric sizing. Where ever possible sizes have been noted in feet and inches as well as in metric. Below is the imperial to metric sizing table as reference. "Nominal" refers to approximate size.

|                    |                                 |
|--------------------|---------------------------------|
| 2400mm = (94 1/2") | Phone Line / Fax                |
| 2100mm = (82 5/8") | Internet connection             |
| 1800mm = (70 7/8") | Outlet                          |
| 1500mm = (59")     | Main Drop (point of distrution) |
| 1200mm = (47 1/4") |                                 |
| 900mm = (35 1/2")  |                                 |
| 600mm = (23 5/8")  |                                 |
| 300mm = (11 7/8")  |                                 |

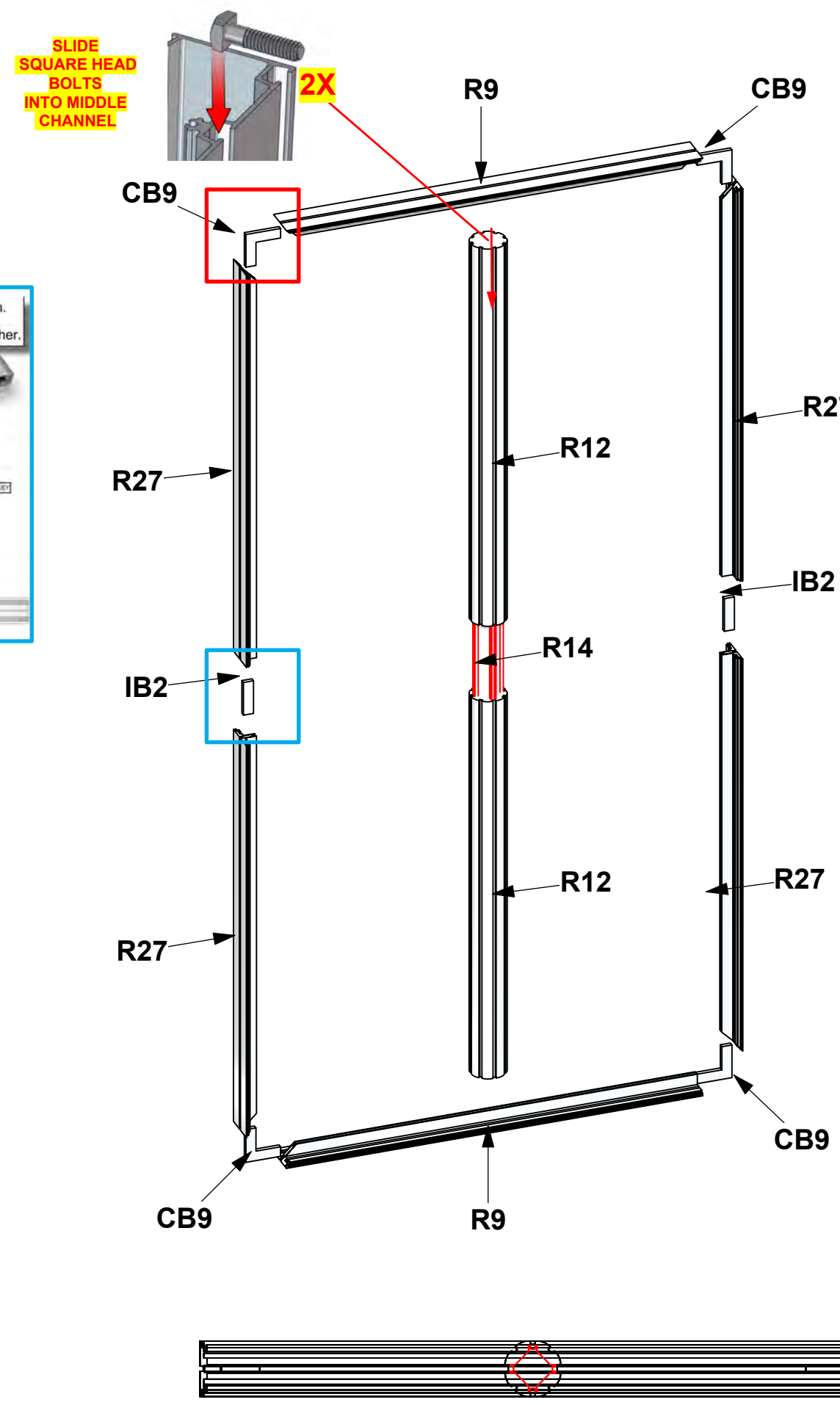
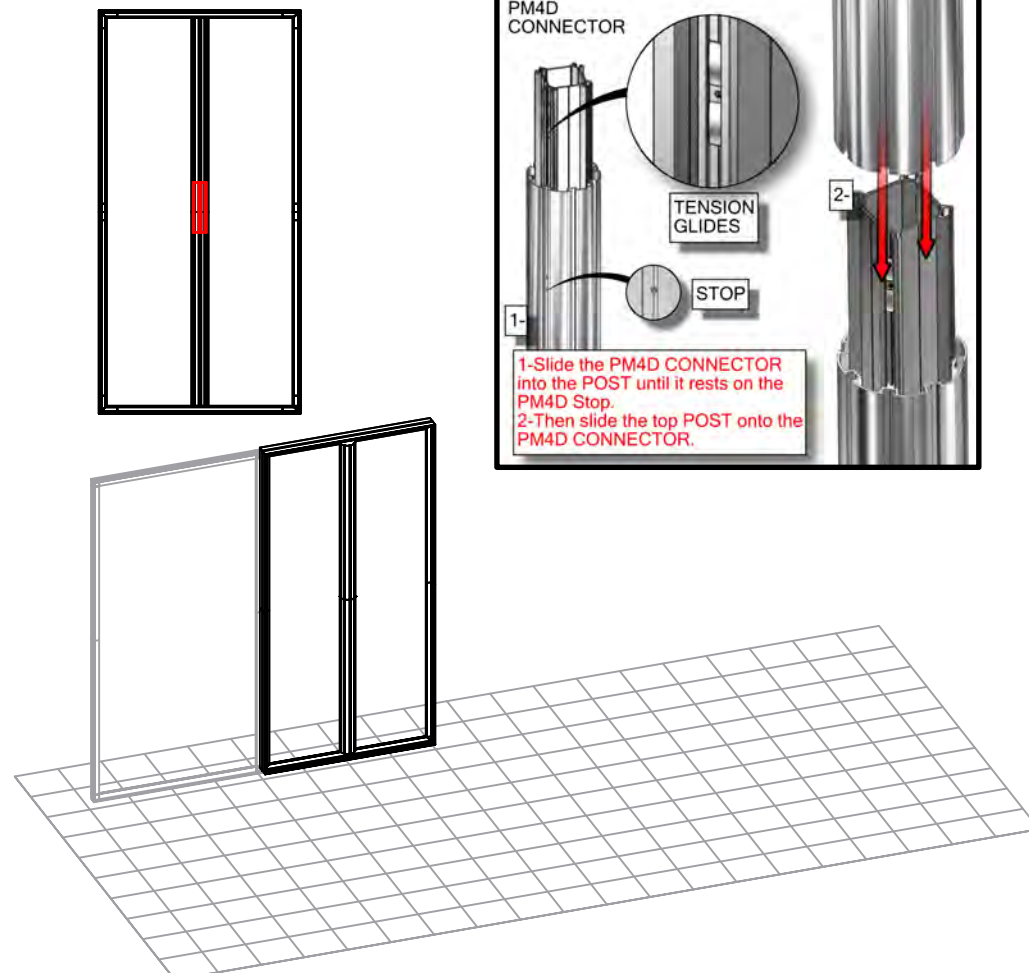
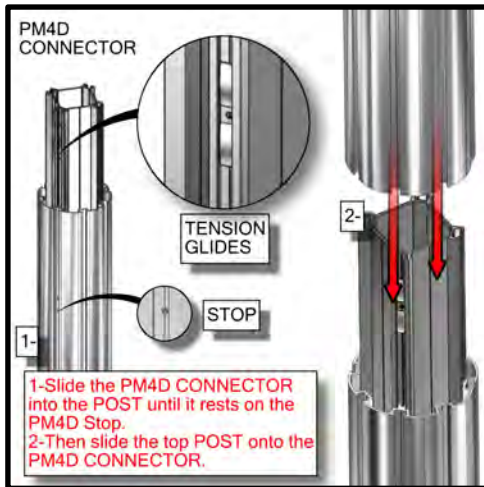
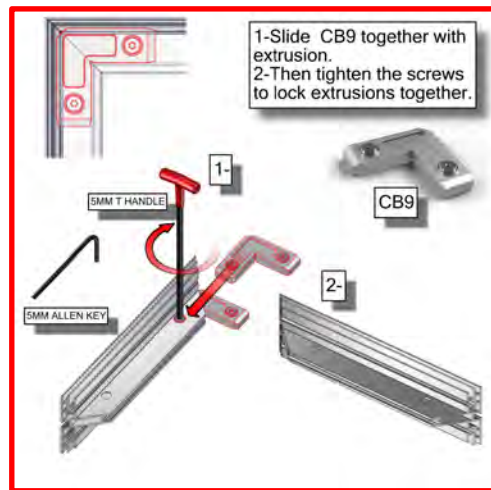
--- Wire running under carpet



HYBRID PRO RENTAL KIT

Title: SET-UP INSTRUCTIONS

| Code | # | Description  |
|------|---|--|
| R9   | 1 | 1200MM (47.24") PHFC4 EXTRUSION WITH MITRE CUT 1 END FOR CB9 ONE END-IB2 |
| R9   | 1 | 1200MM (47.24") PHFC4 EXTRUSION WITH MITRE CUT BOTH ENDS                 |
| R27  | 4 | 1200MM (47.24") PHFC4 EXTRUSION WITH MITRE CUT 1 END FOR CB9 ONE END-IB2 |
| R12  | 2 | 1155MM (45.47") 100MM PM4R8 ROUND EXTRUSION WITH LOCKS 1 END WITH PH2 S  |
| R14  | 1 | 300MM (11.81") PM4D CONNECTOR WITH TENSION GLIDES                        |
| IB2  | 2 | PH INLINE CONNECTOR  |
| CB9  | 4 | CB9 CORNER BRACKET   |

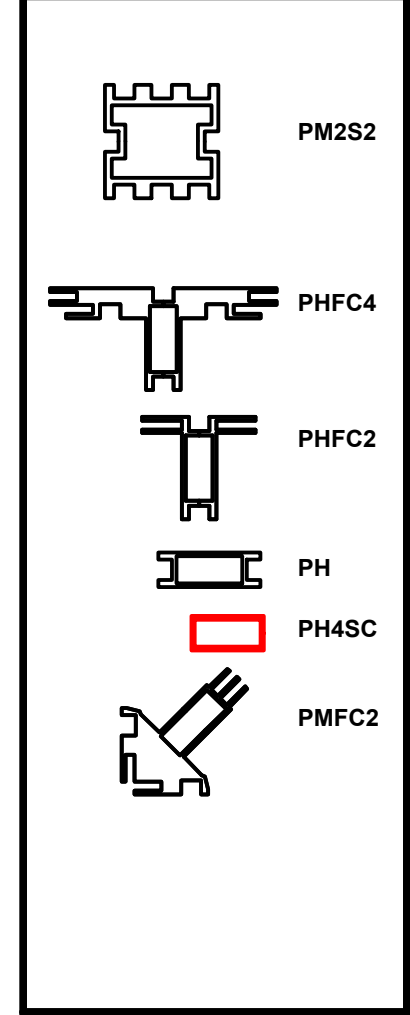


1. Redesign of this exhibit without approval by manufacturer may result in dangerous and unsafe structures. Manufacturer disclaims any responsibility for redesigned exhibits it does not approve in writing.

2. Parts and components such as panels and extrusions are manufactured to metric sizing. Where ever possible sizes have been noted in feet and inches as well as in metric. Below is the imperial to metric sizing table as reference. "Nominal" refers to approximate size.

|                    |                                 |
|--------------------|---------------------------------|
| 2400mm = (94 1/2") | Phone Line / Fax                |
| 2100mm = (82 5/8") | Internet connection             |
| 1800mm = (70 7/8") | Outlet                          |
| 1500mm = (59")     | Main Drop (point of distrution) |
| 1200mm = (47 1/4") |                                 |
| 900mm = (35 1/2")  |                                 |
| 600mm = (23 5/8")  |                                 |
| 300mm = (11 7/8")  |                                 |

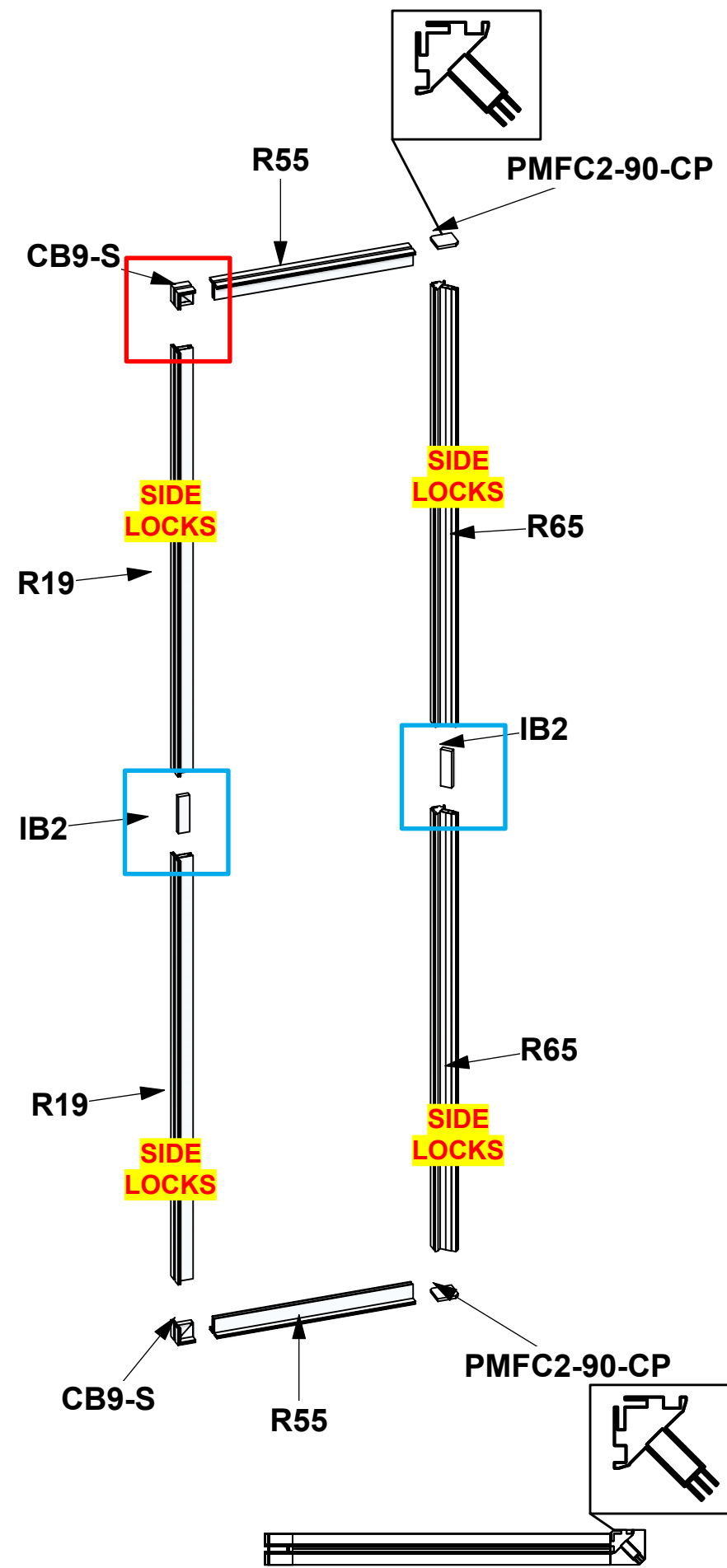
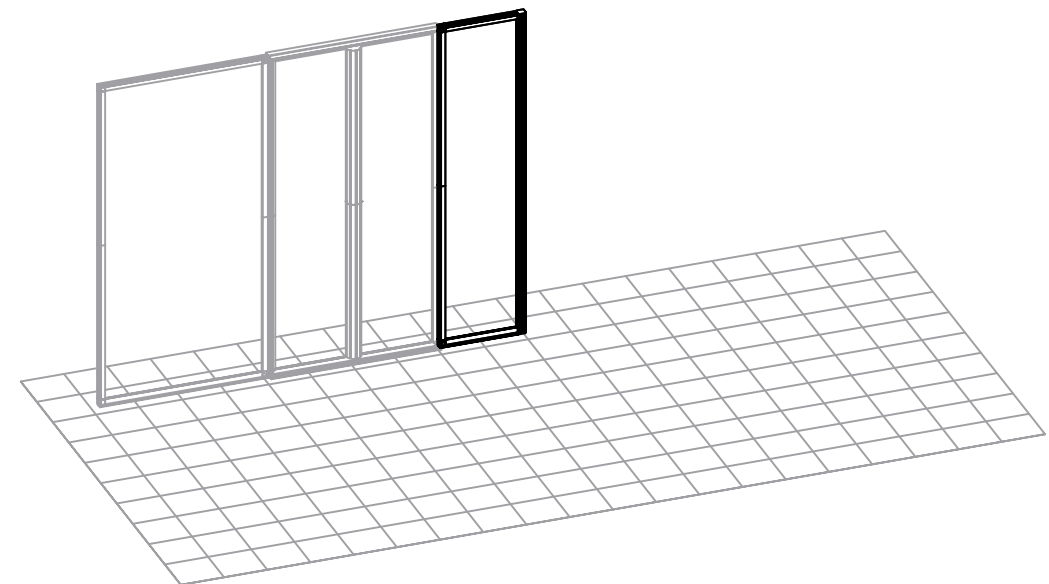
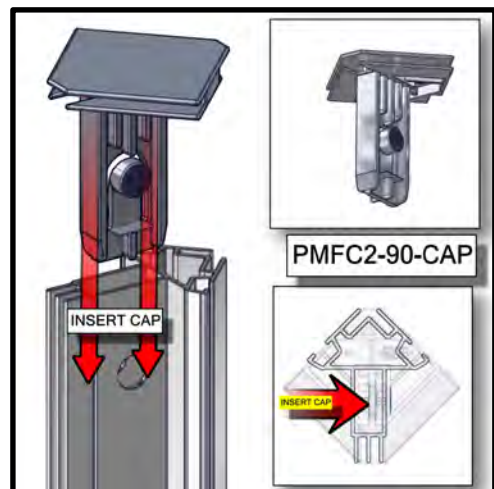
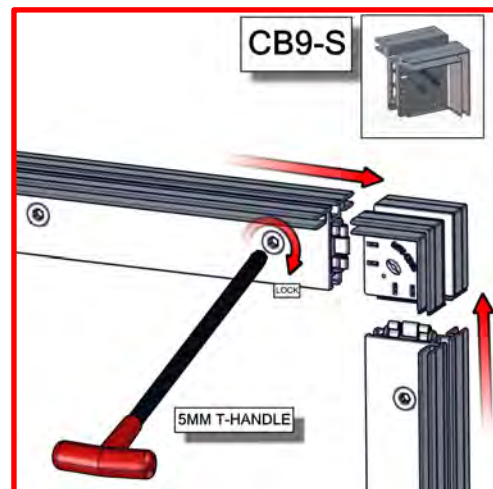
--- Wire running under carpet



**HYBRID PRO RENTAL KIT**

Title: SET-UP INSTRUCTIONS

| Code        | # | Description  |
|-------------|---|--|
| R65         | 2 | 1193MM (46.97") PMFC2-90 EXTRUSION-WITH IB2 LOCK HOLES BOTH SIDES    |
| IB2         | 2 | PH INLINE CONNECTOR  |
| R55         | 2 | 510MM (20.08") PHFC2 EXTRUSION WITH LOCKS 2 ENDS                     |
| R19         | 2 | 1155MM (45.47") PHFC2 EXTRUSION WITH IB2 HOLE ONE SIDE-WITH LOCK 1 E |
| CB9-S       | 2 | 50MM SQUARE PHCF2 CORNER BRACKET                                     |
| PMFC2-90-CP | 2 | PMFC2 90 DEGREE EXTRUSION CAP  |

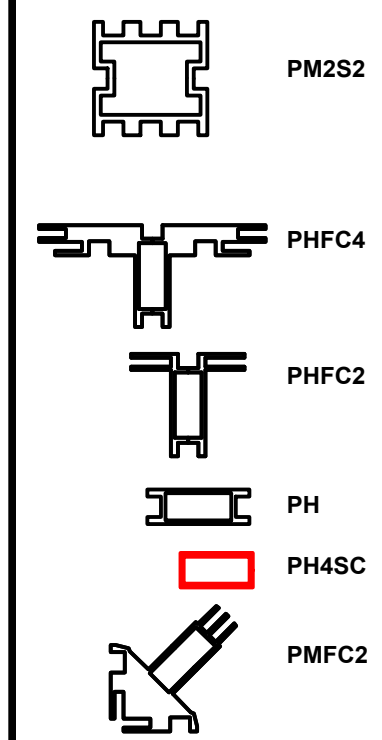


1. Redesign of this exhibit without approval by manufacturer may result in dangerous and unsafe structures. Manufacturer disclaims any responsibility for redesigned exhibits it does not approve in writing.

2. Parts and components such as panels and extrusions are manufactured to metric sizing. Where ever possible sizes have been noted in feet and inches as well as in metric. Below is the imperial to metric sizing table as reference. "Nominal" refers to approximate size.

|                    |                                 |
|--------------------|---------------------------------|
| 2400mm = (94 1/2") | Phone Line / Fax                |
| 2100mm = (82 5/8") | Internet connection             |
| 1800mm = (70 7/8") | Outlet                          |
| 1500mm = (59")     | Main Drop (point of distrution) |
| 1200mm = (47 1/4") |                                 |
| 900mm = (35 1/2")  |                                 |
| 600mm = (23 5/8")  |                                 |
| 300mm = (11 7/8")  |                                 |

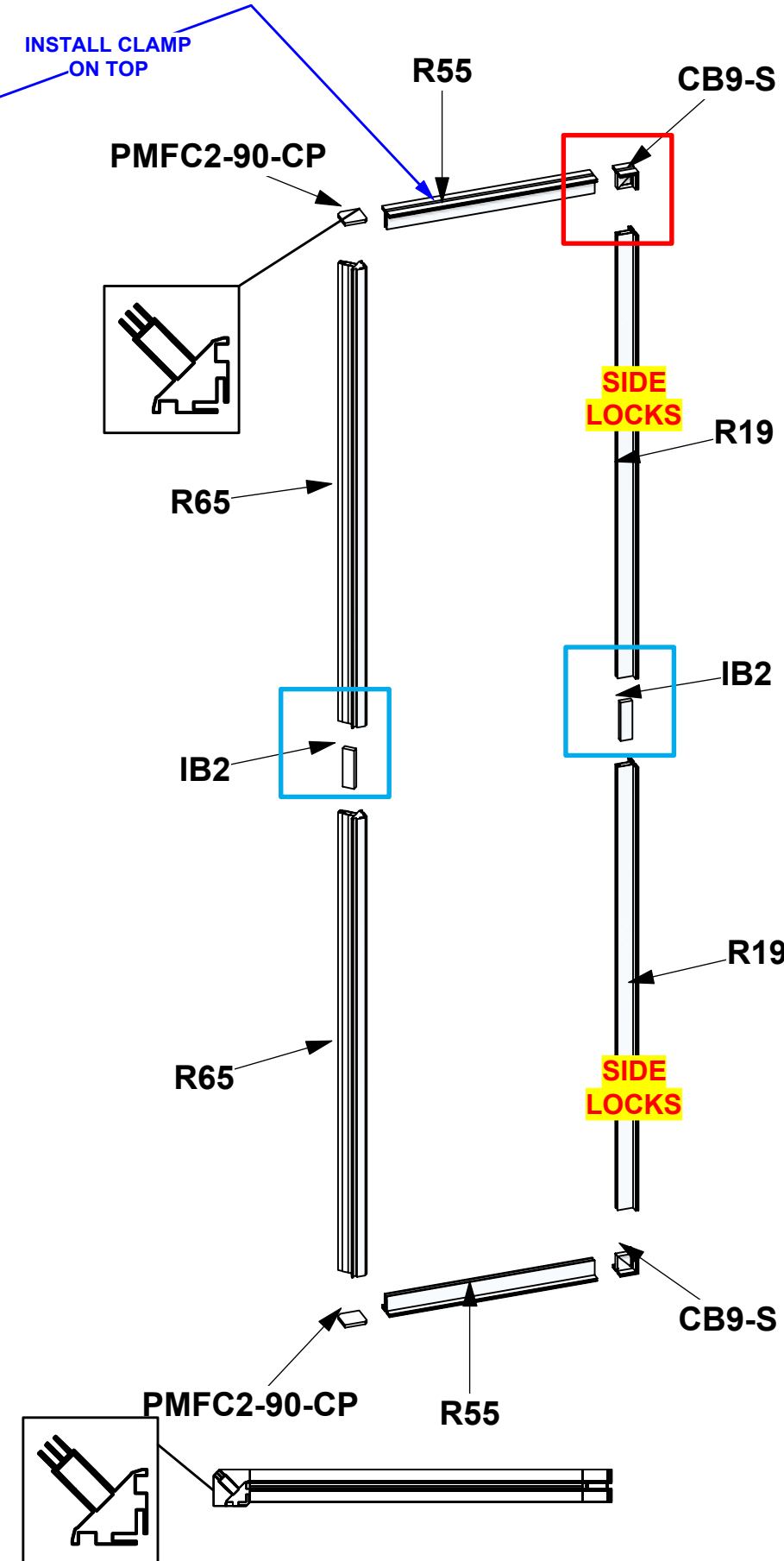
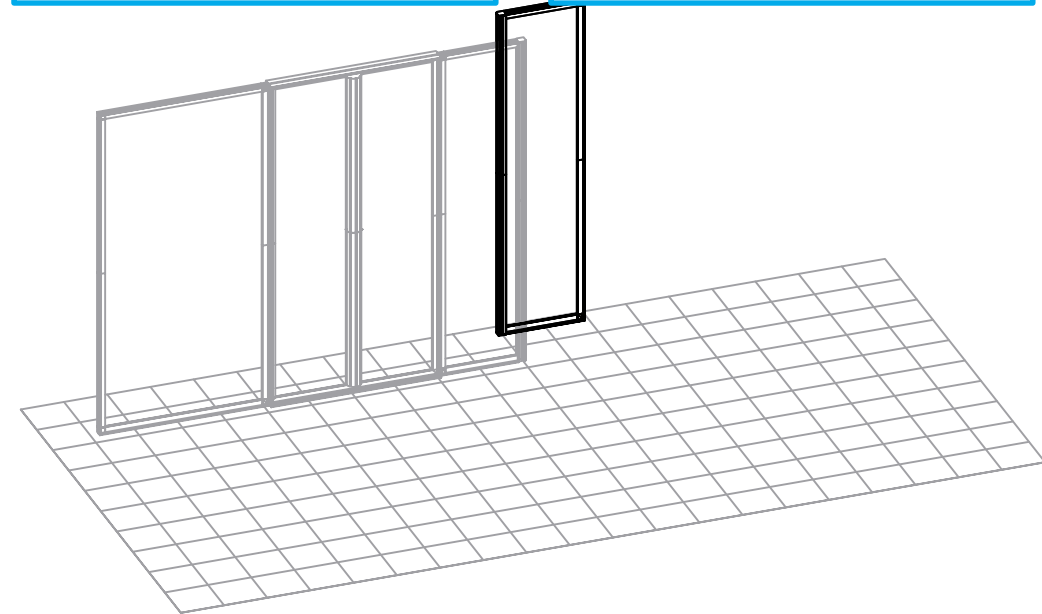
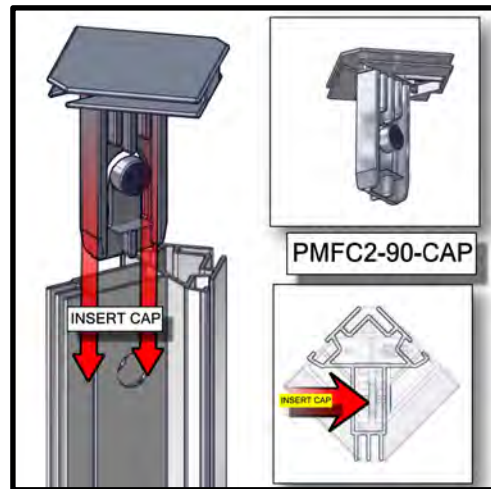
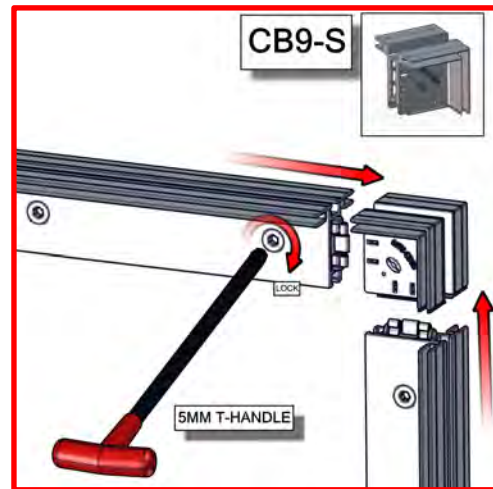
--- Wire running under carpet



HYBRID PRO RENTAL KIT

Title: SET-UP INSTRUCTIONS

| Code        | # | Description  |
|-------------|---|--|
| R55         | 2 | 510MM (20.08") PHFC2 EXTRUSION WITH LOCKS 2 ENDS                         |
| R19         | 2 | 1155MM (45.47") PHFC2 EXTRUSION WITH IB2 HOLE ONE SIDE-WITH LOCK 1 END W |
| IB2         | 2 | PH INLINE CONNECTOR  |
| CB9-S       | 2 | 50MM SQUARE PHCF2 CORNER BRACKET   |
| R65         | 2 | 1193MM (46.97") PMFC2-90 EXTRUSION-WITH IB2 LOCK HOLES BOTH SIDES        |
| PMFC2-90-CP | 2 | PMFC2 90 DEGREE EXTRUSION CAP  |

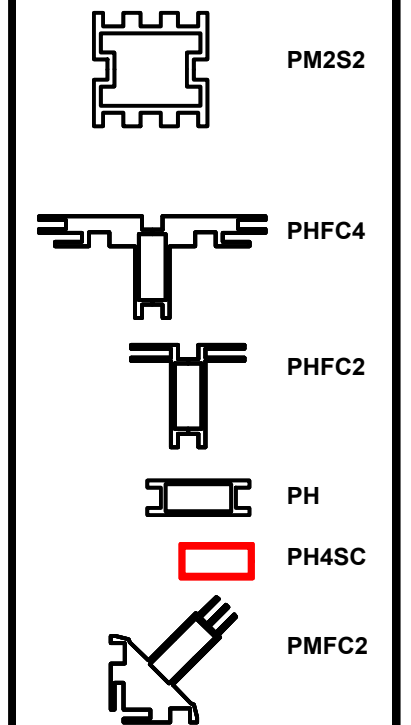


1. Redesign of this exhibit without approval by manufacturer may result in dangerous and unsafe structures. Manufacturer disclaims any responsibility for redesigned exhibits it does not approve in writing.

2. Parts and components such as panels and extrusions are manufactured to metric sizing. Where ever possible sizes have been noted in feet and inches as well as in metric. Below is the imperial to metric sizing table as reference. "Nominal" refers to approximate size.

|                    |                                 |
|--------------------|---------------------------------|
| 2400mm = (94 1/2") | Phone Line / Fax                |
| 2100mm = (82 5/8") | Internet connection             |
| 1800mm = (70 7/8") | Outlet                          |
| 1500mm = (59")     | Main Drop (point of distrution) |
| 1200mm = (47 1/4") |                                 |
| 900mm = (35 1/2")  |                                 |
| 600mm = (23 5/8")  |                                 |
| 300mm = (11 7/8")  |                                 |

--- Wire running under carpet

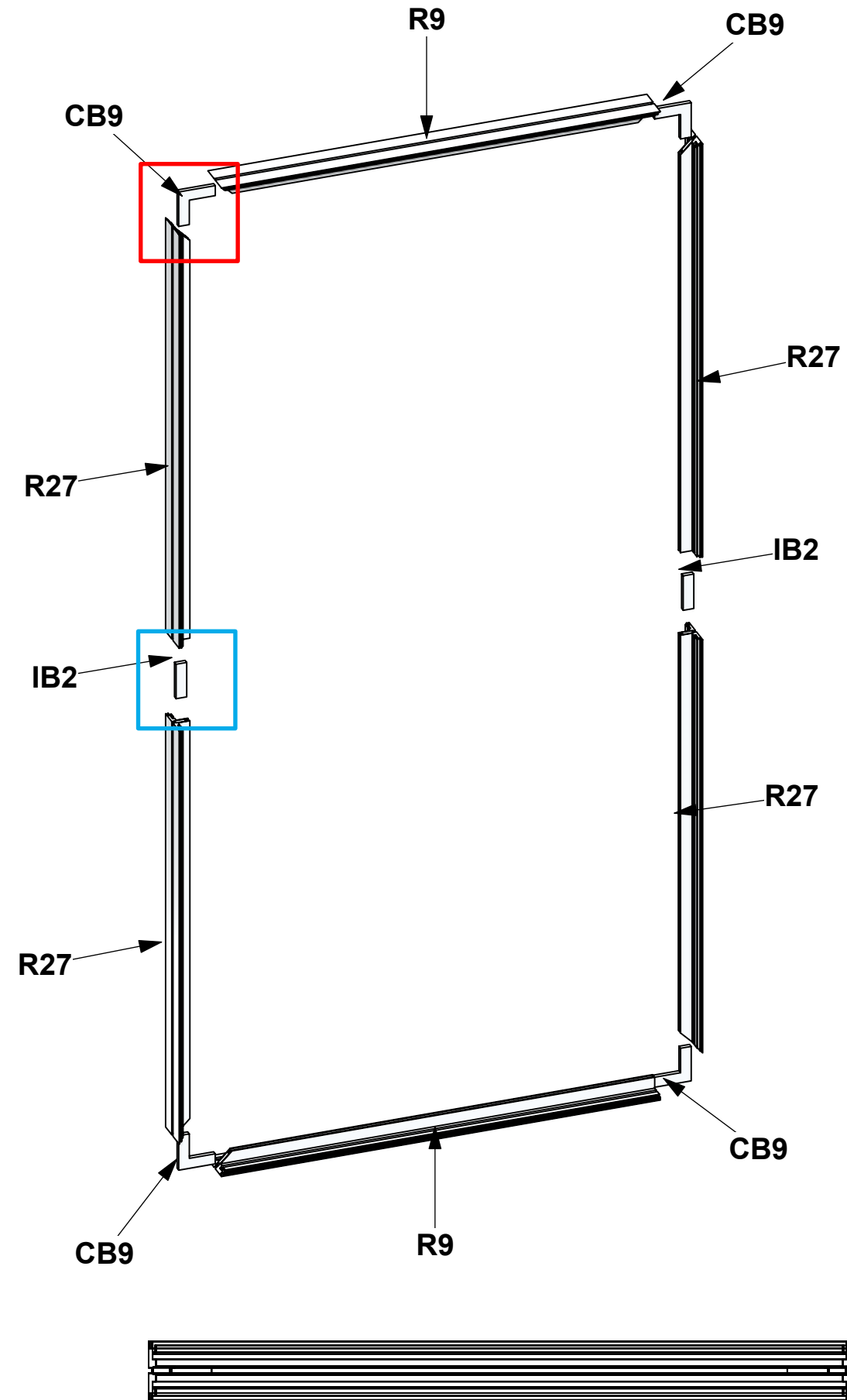
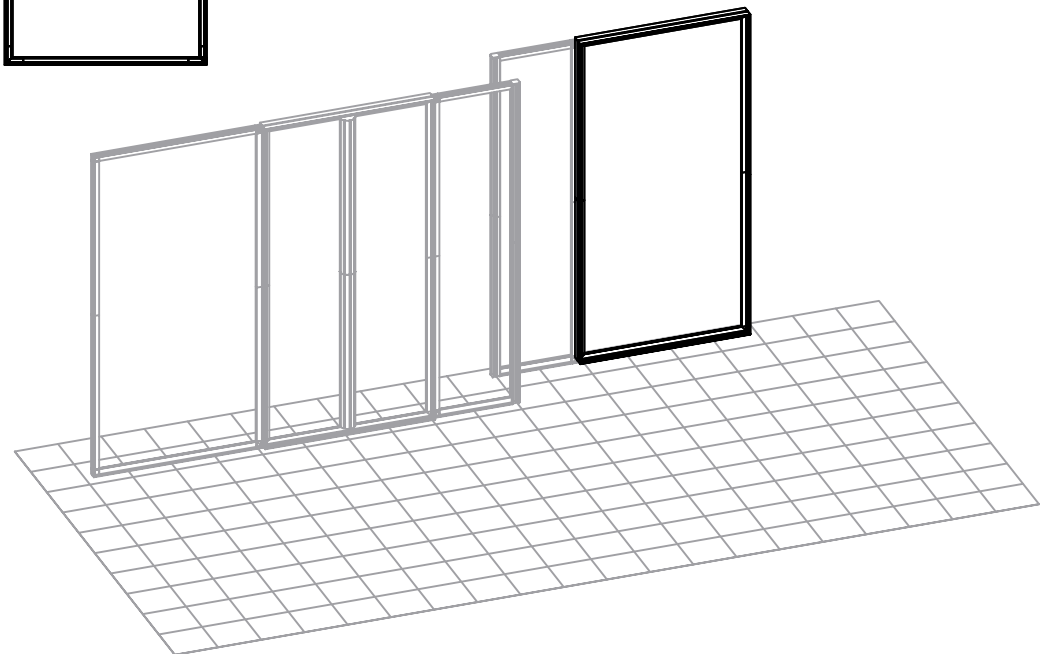
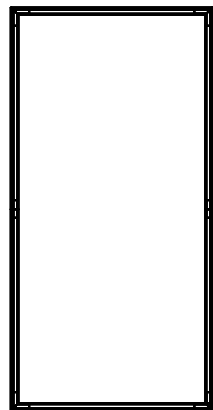
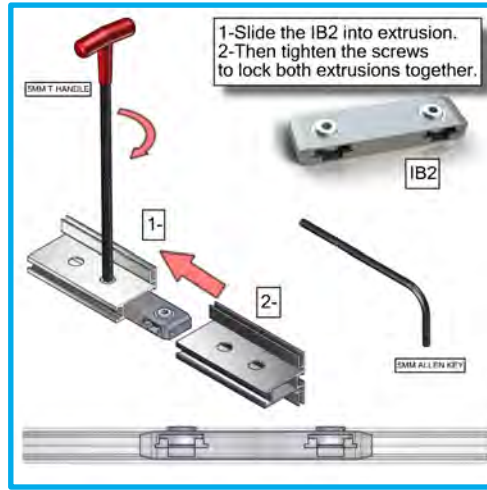
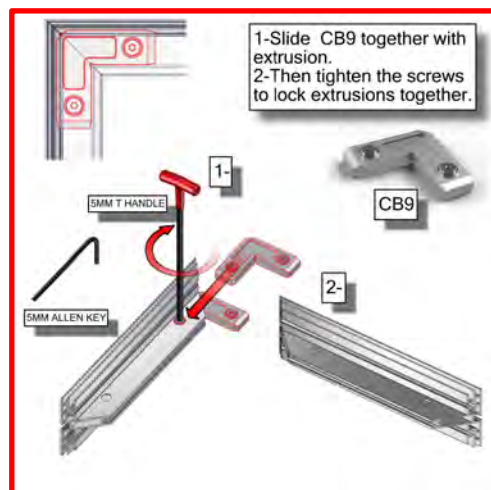


**HYBRID PRO RENTAL KIT**

Title: SET-UP INSTRUCTIONS



| Code | # | Description  |
|------|---|--|
| R9   | 1 | 1200MM (47.24") PHFC4 EXTRUSION WITH MITRE CUT 1 END FOR CB9 ONE END |
| R9   | 1 | 1200MM (47.24") PHFC4 EXTRUSION WITH MITRE CUT BOTH ENDS             |
| R27  | 4 | 1200MM (47.24") PHFC4 EXTRUSION WITH MITRE CUT 1 END FOR CB9 ONE END |
| IB2  | 2 | PH INLINE CONNECTOR  |
| CB9  | 4 | CB9 CORNER BRACKET   |

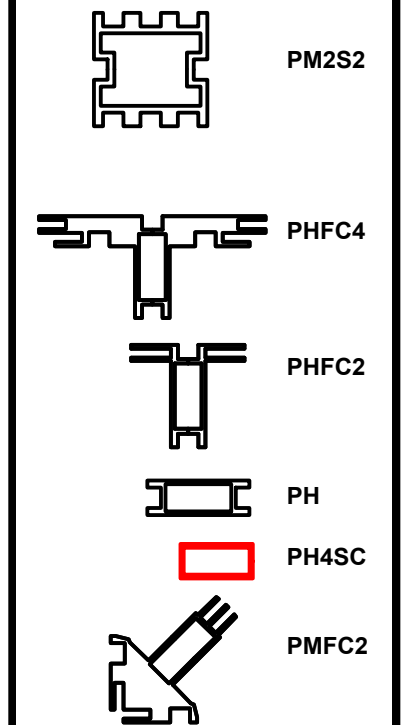


1. Redesign of this exhibit without approval by manufacturer may result in dangerous and unsafe structures. Manufacturer disclaims any responsibility for redesigned exhibits it does not approve in writing.

2. Parts and components such as panels and extrusions are manufactured to metric sizing. Where ever possible sizes have been noted in feet and inches as well as in metric. Below is the imperial to metric sizing table as reference. \*Nominal\* refers to approximate size.

|                    |                                 |
|--------------------|---------------------------------|
| 2400mm = (94 1/2") | Phone Line / Fax                |
| 2100mm = (82 5/8") | Internet connection             |
| 1800mm = (70 7/8") | Outlet                          |
| 1500mm = (59")     | Main Drop (point of distrution) |
| 1200mm = (47 1/4") |                                 |
| 900mm = (35 1/2")  |                                 |
| 600mm = (23 5/8")  |                                 |
| 300mm = (11 7/8")  |                                 |

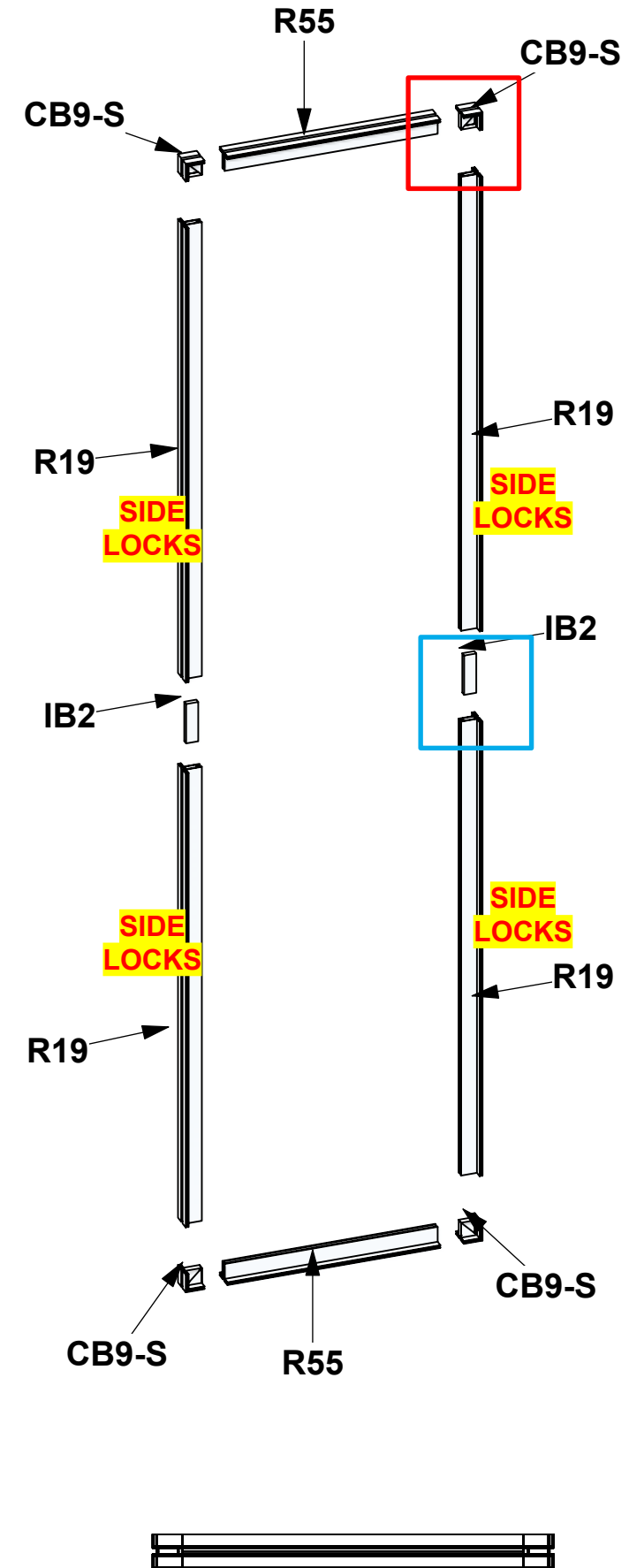
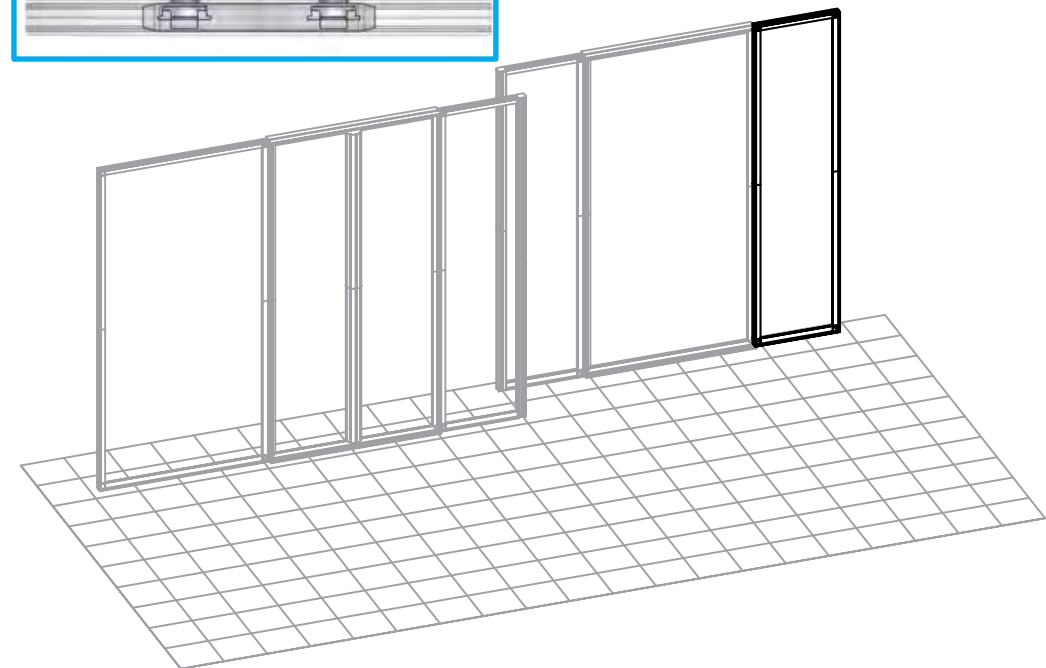
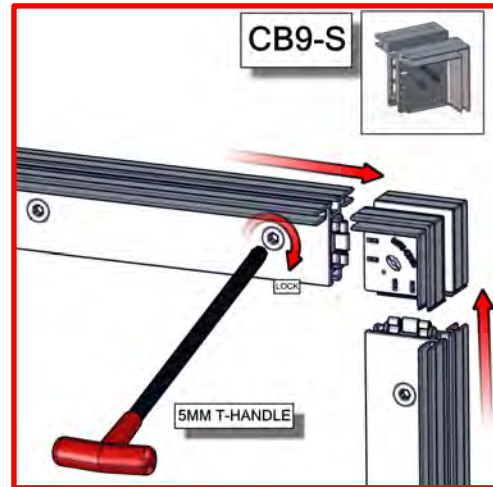
--- Wire running under carpet



HYBRID PRO RENTAL KIT

Title: SET-UP INSTRUCTIONS

| Code  | # | Description  |
|-------|---|--|
| R55   | 2 | 510MM (20.08") PHFC2 EXTRUSION WITH LOCKS 2 ENDS                 |
| R19   | 4 | 1155MM (45.47") PHFC2 EXTRUSION WITH IB2 HOLE ONE SIDE-WITH LOCK |
| IB2   | 2 | PH INLINE CONNECTOR  |
| CB9-S | 4 | 50MM SQUARE PHCF2 CORNER BRACKET                                 |

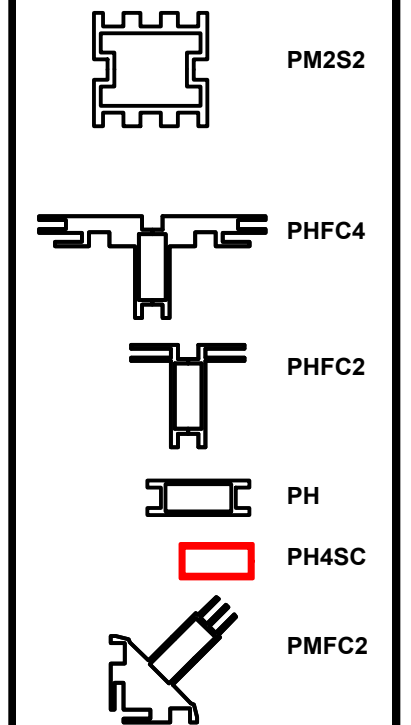


1. Redesign of this exhibit without approval by manufacturer may result in dangerous and unsafe structures. Manufacturer disclaims any responsibility for redesigned exhibits it does not approve in writing.

2. Parts and components such as panels and extrusions are manufactured to metric sizing. Where ever possible sizes have been noted in feet and inches as well as in metric. Below is the imperial to metric sizing table as reference. "Nominal" refers to approximate size.

|                    |                                  |
|--------------------|----------------------------------|
| 2400mm = (94 1/2") | Phone Line / Fax                 |
| 2100mm = (82 5/8") | Internet connection              |
| 1800mm = (70 7/8") | Outlet                           |
| 1500mm = (59")     | Main Drop (point of distruption) |
| 1200mm = (47 1/4") |                                  |
| 900mm = (35 1/2")  |                                  |
| 600mm = (23 5/8")  |                                  |
| 300mm = (11 7/8")  |                                  |

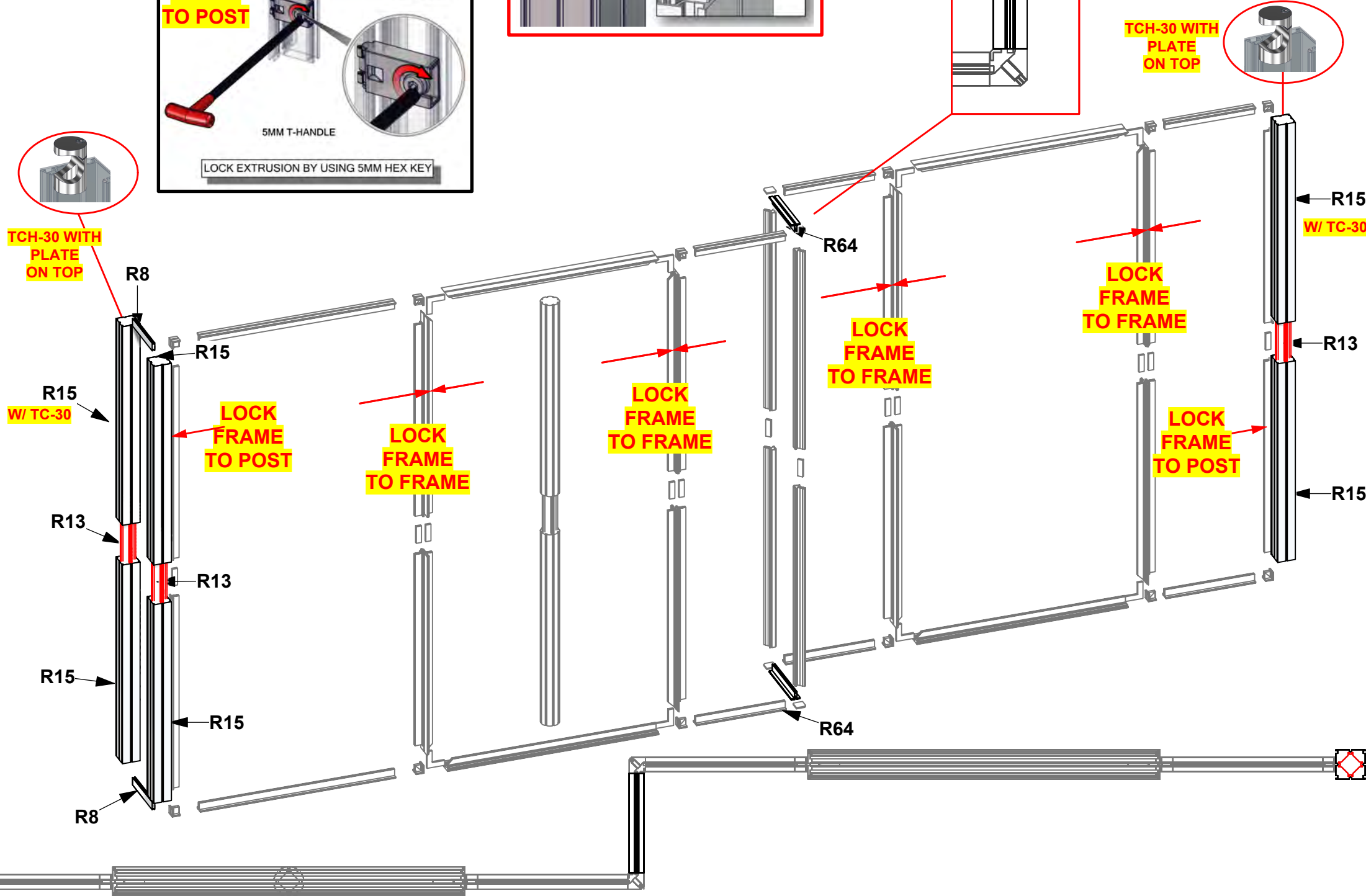
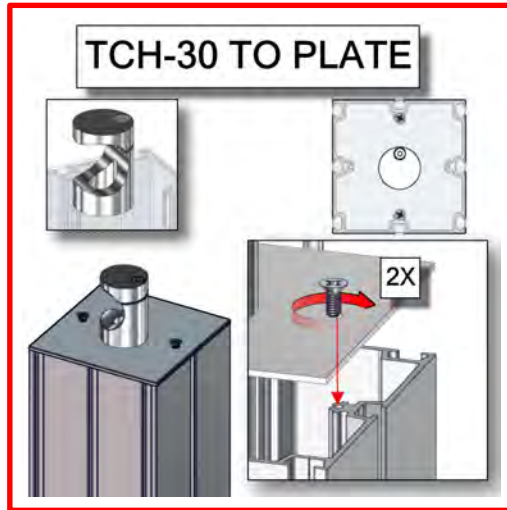
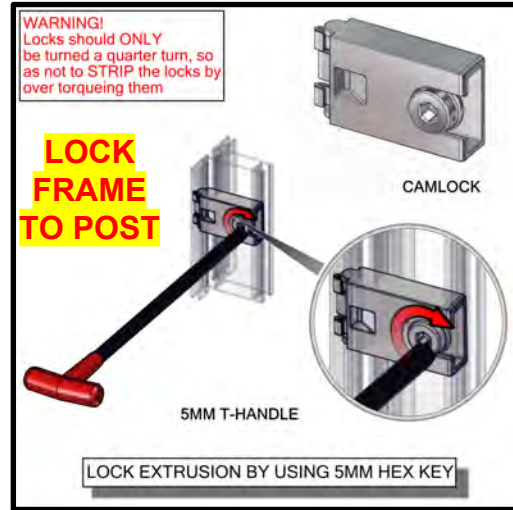
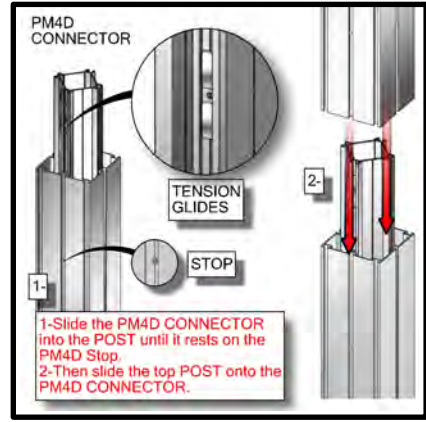
Wire running under carpet



HYBRID PRO RENTAL KIT

Title: SET-UP INSTRUCTIONS

| Code | # | Description  |
|------|---|--|
| R64  | 2 | 339MM (13.35") PHFC2 EXTRUSION WITH LOCKS 2 ENDS           |
| R15  | 6 | 1200MM (47.24") 100MM PM4S2 SQUARE EXTRUSION WITH PH2 STOP |
| R13  | 3 | 600MM (23.62") PM4D CONNECTOR WITH TENSION GLIDES          |
| R8   | 2 | 300MM (11.81") PH EXTRUSION WITH LOCKS 2 ENDS              |

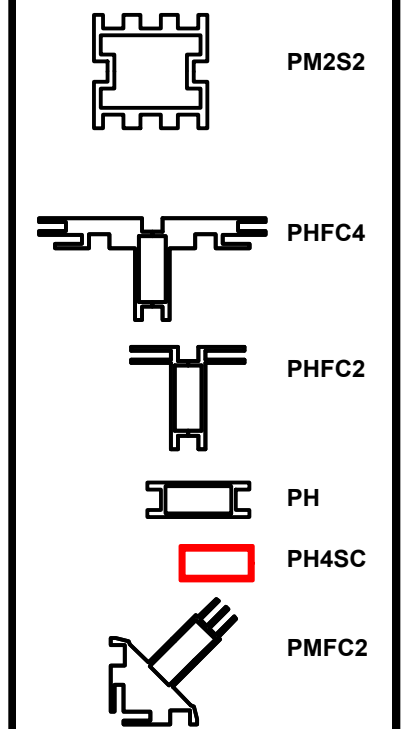


1. Redesign of this exhibit without approval by manufacturer may result in dangerous and unsafe structures. Manufacturer disclaims any responsibility for redesigned exhibits it does not approve in writing.

2. Parts and components such as panels and extrusions are manufactured to metric sizing. Where ever possible sizes have been noted in feet and inches as well as in metric. Below is the imperial to metric sizing table as reference. "Nominal" refers to approximate size.

|                    |                                 |
|--------------------|---------------------------------|
| 2400mm = (94 1/2") | Phone Line / Fax                |
| 2100mm = (82 5/8") | Internet connection             |
| 1800mm = (70 7/8") | Outlet                          |
| 1500mm = (59")     | Main Drop (point of distrution) |
| 1200mm = (47 1/4") |                                 |
| 900mm = (35 1/2")  |                                 |
| 600mm = (23 5/8")  |                                 |
| 300mm = (11 7/8")  |                                 |

--- Wire running under carpet



HYBRID PRO RENTAL KIT

Title: SET-UP INSTRUCTIONS

| Code      | # | Description  |
|-----------|---|--|
| GRAPHIC G | 1 | 94.5"H X 23.62"W SINGLE SIDED DYESUB GRAPHIC W/FCE-2 ON PERIMETER        |
| GRAPHIC C | 1 | 94.5"H X 23.82"W SINGLE SIDED DYESUB GRAPHIC W/FCE-2 ON PERIMETER        |
| GRAPHIC A | 1 | 94.5"H X 47.24"W SINGLE SIDED DYESUB GRAPHIC W/FCE-2 ON PERIMETER        |
| GRAPHIC B | 1 | 94.5"H X 47.24"W SINGLE SIDED DYESUB GRAPHIC W/ FCE-2 (SEG) ON PERIMETER |
| GRAPHIC F | 1 | 94.5"H X 47.24"W SINGLE SIDED DYESUB GRAPHIC W/ FCE-2 (SEG) ON PERIMETER |
| GRAPHIC E | 1 | 94.5"H X 23.82"W SINGLE SIDED DYESUB GRAPHIC W/FCE-2 ON PERIMETER        |
| GRAPHIC D | 1 | 94.5"H X 15.55"W SINGLE SIDED DYESUB GRAPHIC W/FCE-2 ON PERIMETER        |
| MM-MB     | 1 | MEDIUM MONITOR BRACKET FOR MONITORS 15"-40"                              |

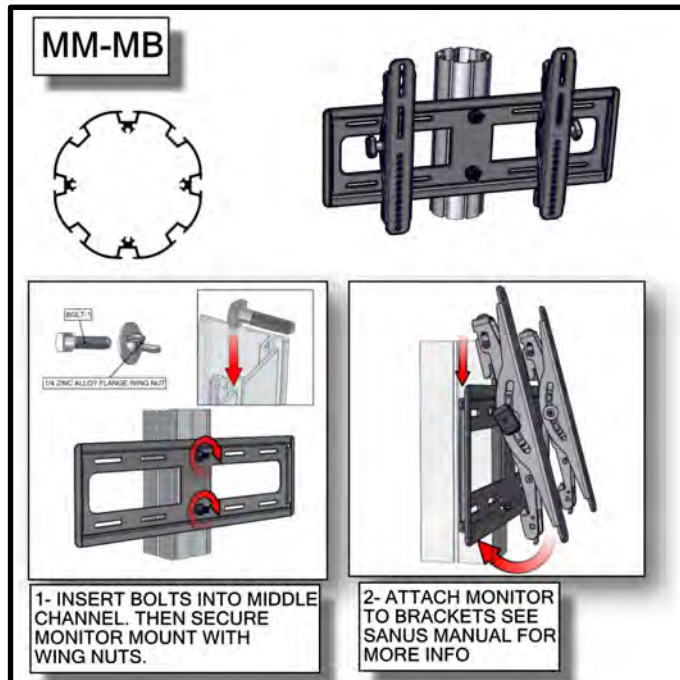
1. Redesign of this exhibit without approval by manufacturer may result in dangerous and unsafe structures. Manufacturer disclaims any responsibility for redesigned exhibits it does not approve in writing.

2. Parts and components such as panels and extrusions are manufactured to metric sizing. Where ever possible sizes have been noted in feet and inches as well as in metric. Below is the imperial to metric sizing table as reference. "Nominal" refers to approximate size.

|                    |                                 |
|--------------------|---------------------------------|
| 2400mm = (94 1/2") | Phone Line / Fax                |
| 2100mm = (82 5/8") | Internet connection             |
| 1800mm = (70 7/8") | Outlet                          |
| 1500mm = (59")     | Main Drop (point of distrution) |
| 1200mm = (47 1/4") |                                 |
| 900mm = (35 1/2")  |                                 |
| 600mm = (23 5/8")  |                                 |
| 300mm = (11 7/8")  |                                 |

--- Wire running under carpet

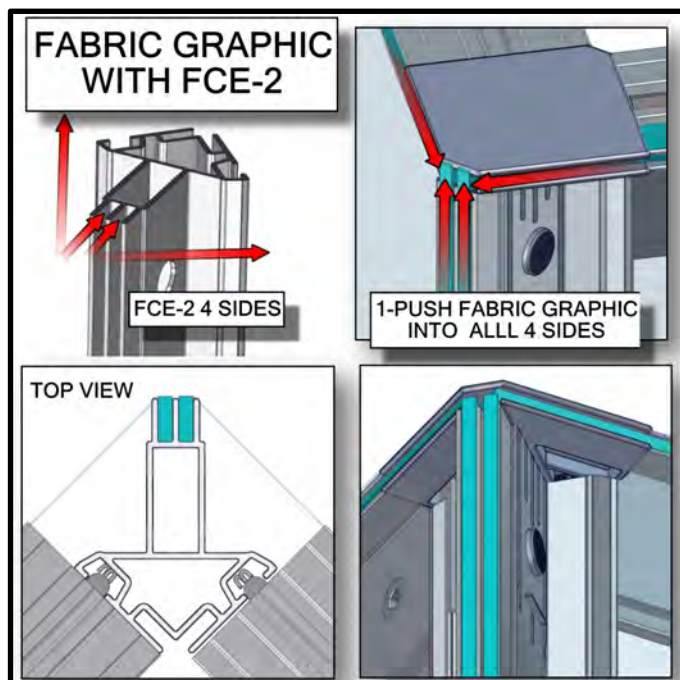
**MM-MB**



1- INSERT BOLTS INTO MIDDLE CHANNEL. THEN SECURE MONITOR MOUNT WITH WING NUTS.

2- ATTACH MONITOR TO BRACKETS SEE SANUS MANUAL FOR MORE INFO

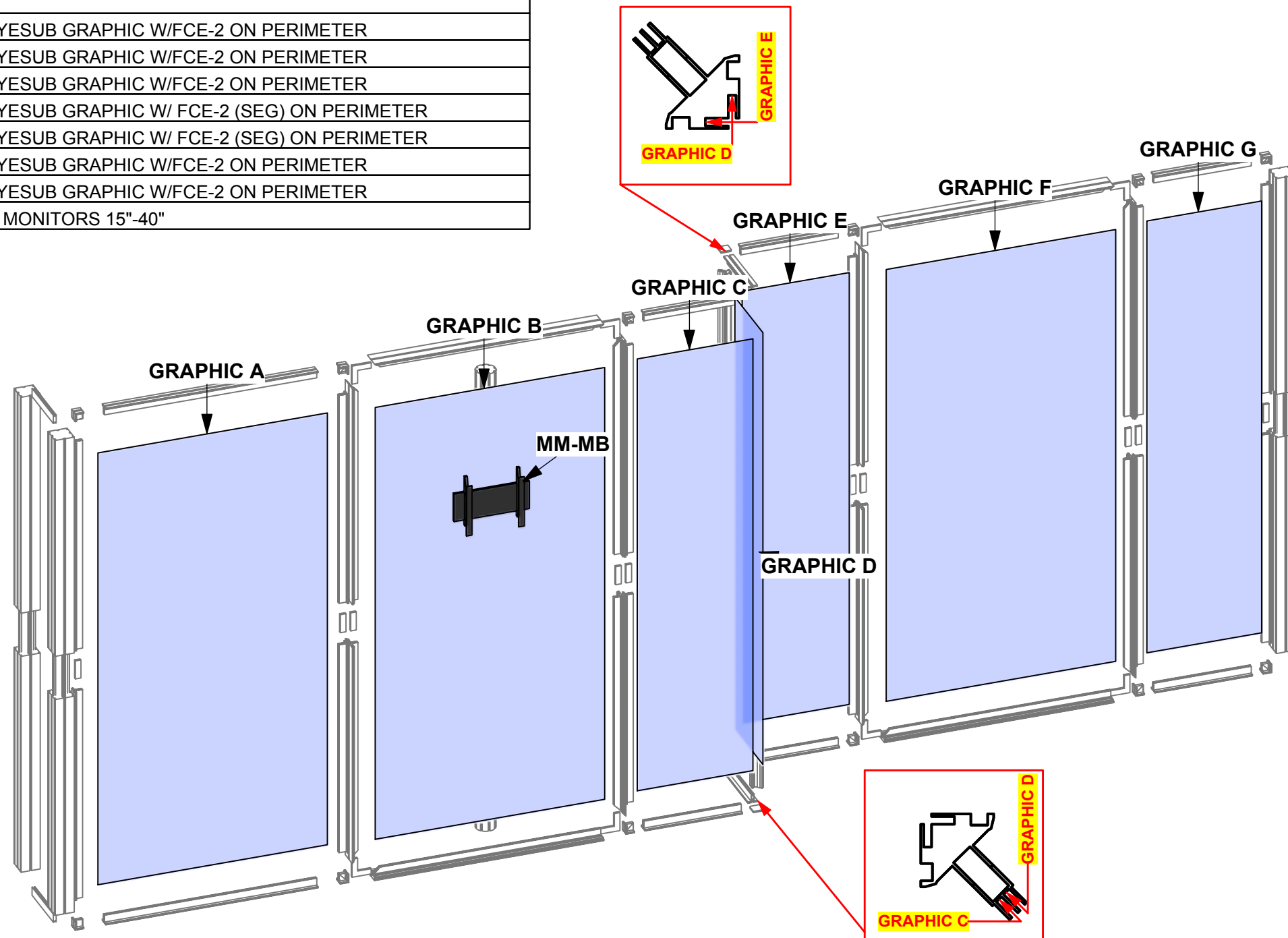
**FABRIC GRAPHIC WITH FCE-2**



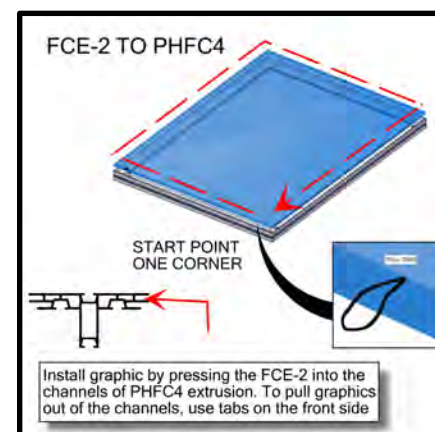
FCE-2 4 SIDES

1-PUSH FABRIC GRAPHIC INTO ALL 4 SIDES

TOP VIEW



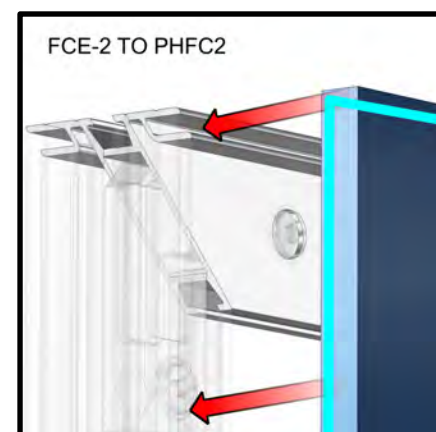
**FCE-2 TO PHFC4**



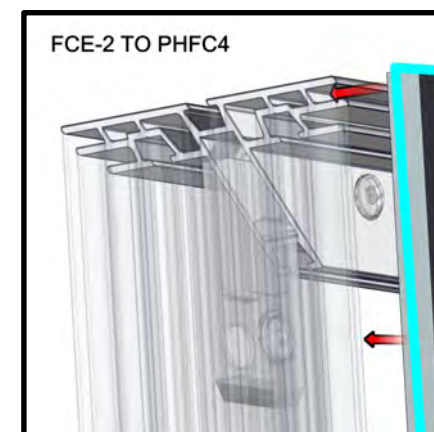
START POINT ONE CORNER

Install graphic by pressing the FCE-2 into the channels of PHFC4 extrusion. To pull graphics out of the channels, use tabs on the front side

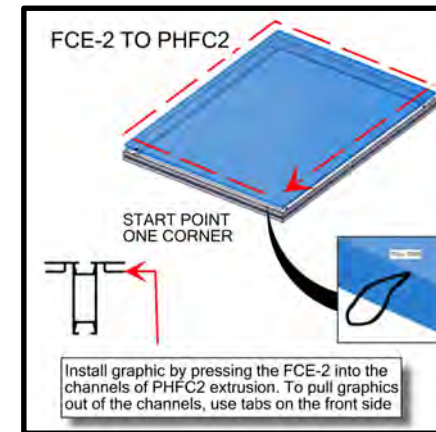
**FCE-2 TO PHFC2**



**FCE-2 TO PHFC4**

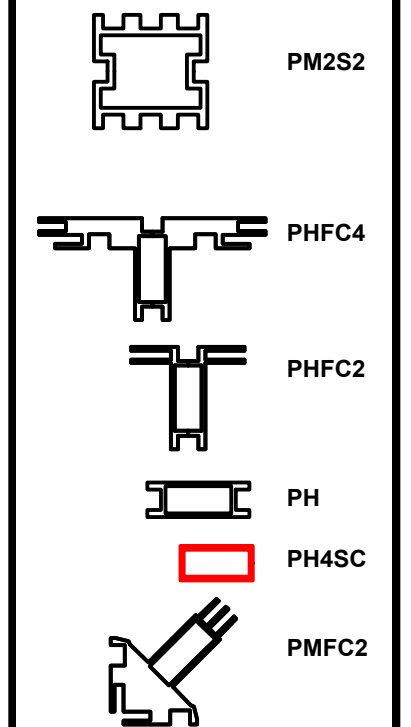


**FCE-2 TO PHFC2**



START POINT ONE CORNER

Install graphic by pressing the FCE-2 into the channels of PHFC2 extrusion. To pull graphics out of the channels, use tabs on the front side



**HYBRID PRO RENTAL KIT**

Title: SET-UP INSTRUCTIONS

**SET UP INSTRUCTIONS:**

1. CONNECT BOTTOM AND TOP RAILS FOLLOWING THE LABELS
2. CONNECT SIDE RAILS
3. CLEAN THE FRAME AND PLACE THEM ON CLEAN PLACE
4. CAREFULLY REMOVE FABRIC COVER FROM BAGS
5. PLACE COVER AROUND THE BOTTOM OF THE FRAME
6. PULL COVER CAREFULLY UP TO THE TOP
7. CLOSE ALL ZIPPERS
8. ADJUST FABRIC AROUND THE FRAME

**BREAK DOWN INSTRUCTIONS:**

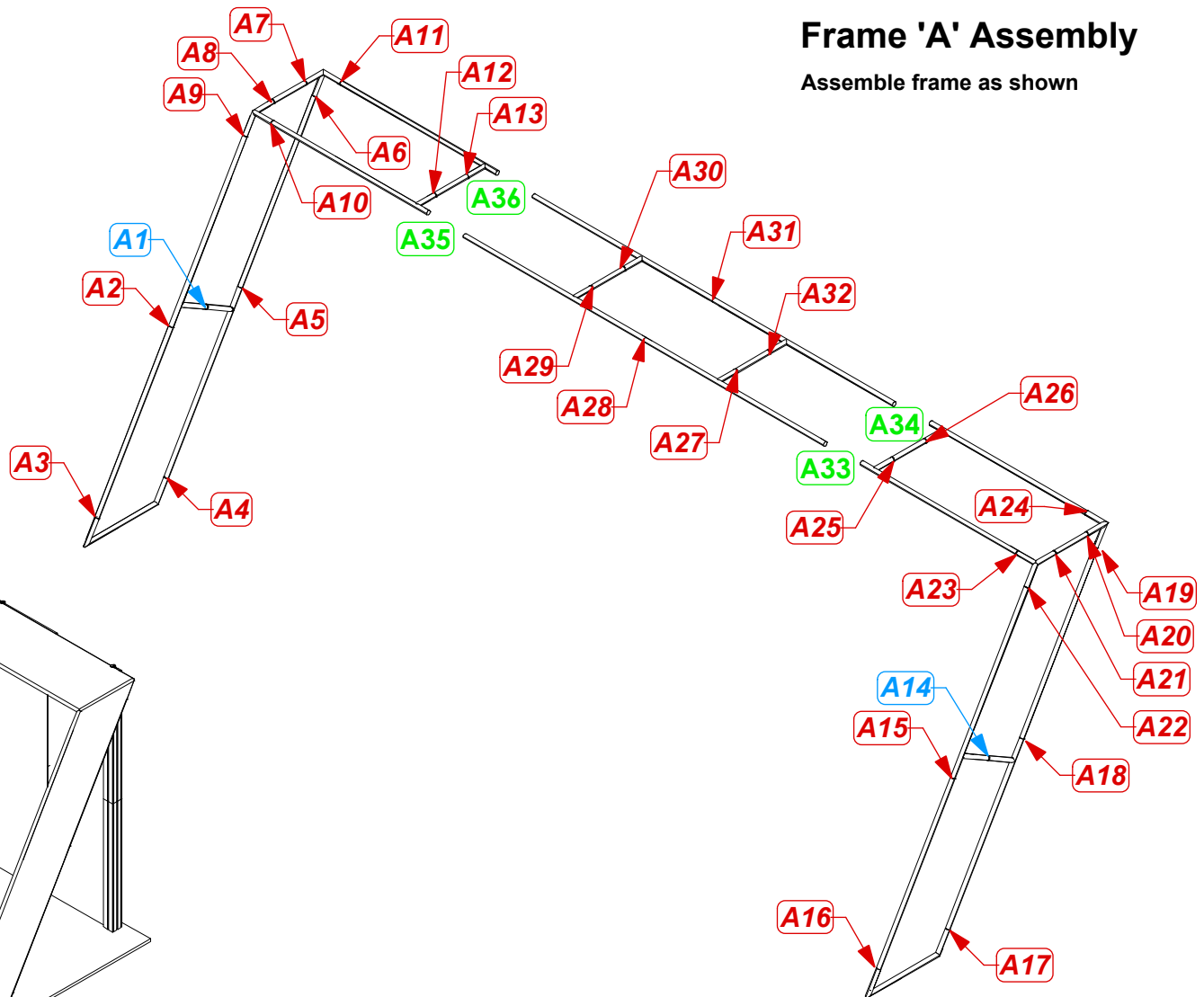
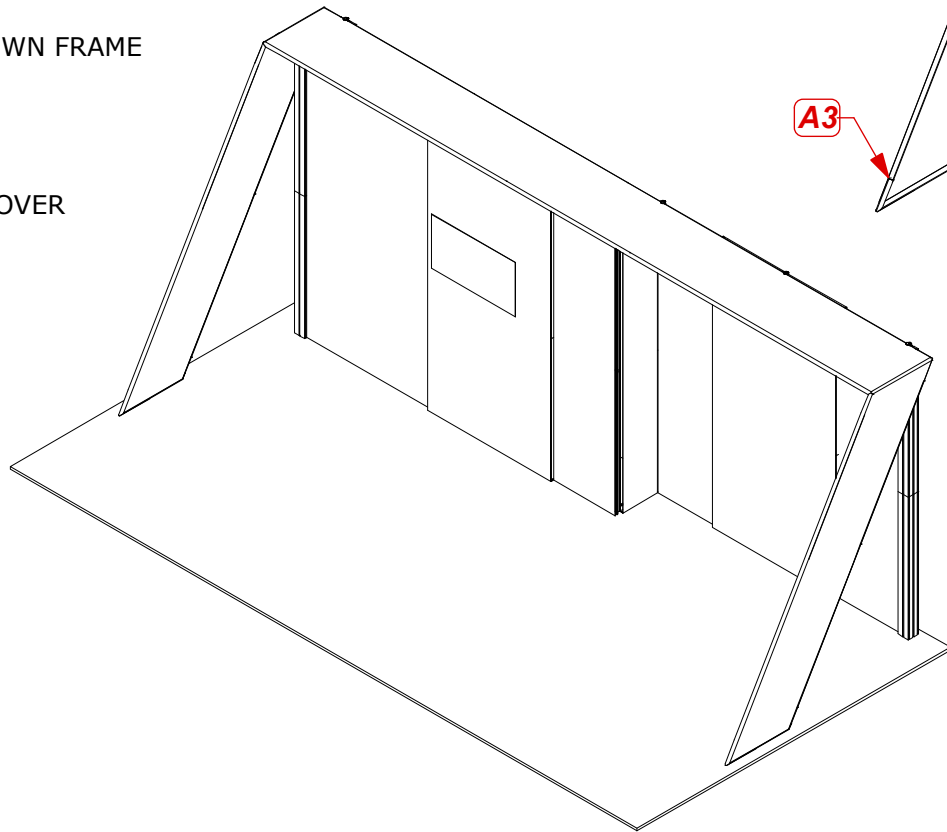
REVERSE SET-UP STEPS TO BREAKDOWN FRAME

**FABRIC CARE INSTRUCTIONS:**

1. UNZIP COVER ZIPPERS
2. CAREFULLY REMOVE FABRIC COVER
3. CLOSE ALL ZIPPERS
4. FOLD OR ROLL NEATLY
5. PLACE FABRIC IN COVER BAG

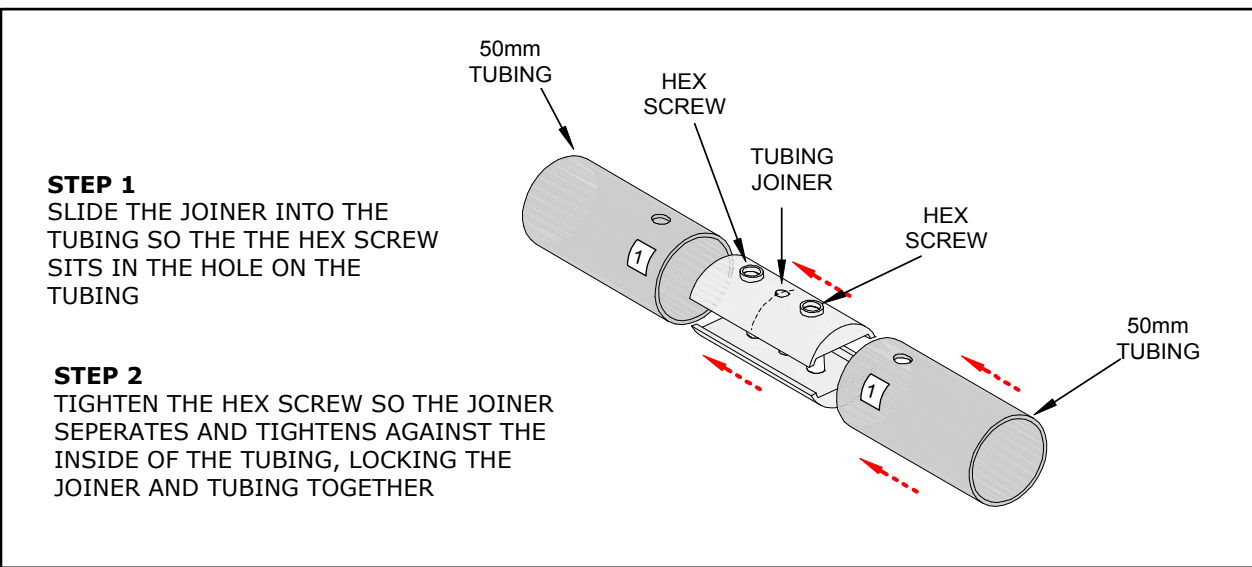
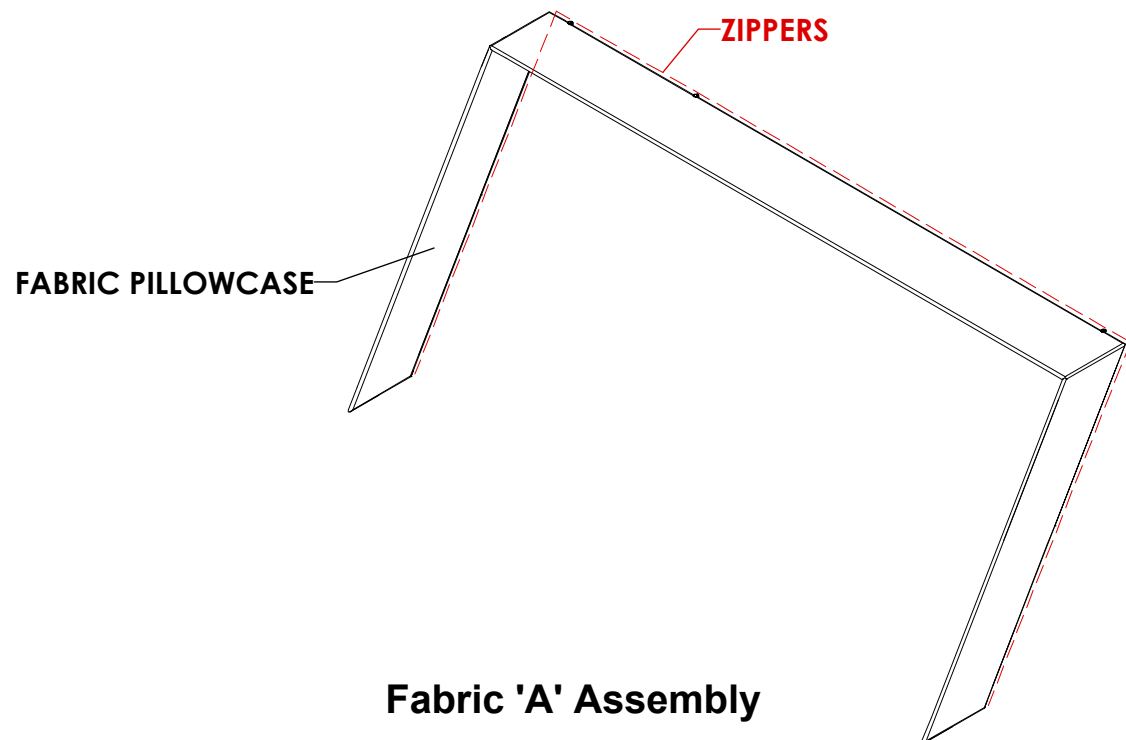
**PART LIST:**

- PER UNIT
- |    |                         |
|----|-------------------------|
| 28 | 30MM DIA. TUBE SECTIONS |
| 36 | ES-30 EXPANDING SPIGOT  |
| 1  | 2.5MM HEX KEY           |
| 3  | TCH-30 CLAMPS           |
| 2  | TC-30 CLAMPS            |
| 1  | FABRIC COVER            |



**Frame 'A' Assembly**

Assemble frame as shown

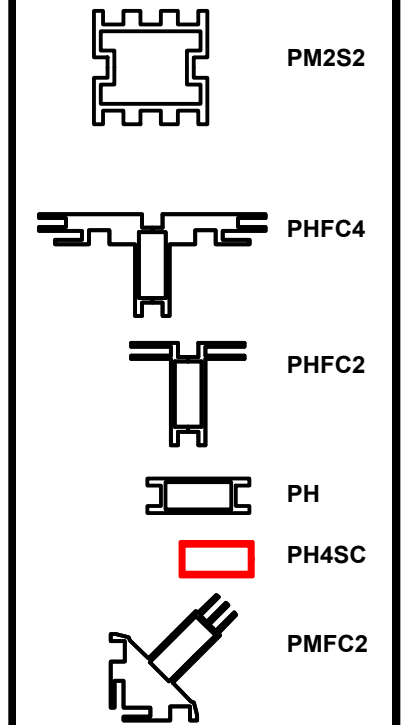


1. Redesign of this exhibit without approval by manufacturer may result in dangerous and unsafe structures. Manufacturer disclaims any responsibility for redesigned exhibits it does not approve in writing.

2. Parts and components such as panels and extrusions are manufactured to metric sizing. Where ever possible sizes have been noted in feet and inches as well as in metric. Below is the imperial to metric sizing table as reference. "Nominal" refers to approximate size.

|                    |                                 |
|--------------------|---------------------------------|
| 2400mm = (94 1/2") | Phone Line / Fax                |
| 2100mm = (82 5/8") | Internet connection             |
| 1800mm = (70 7/8") | Outlet                          |
| 1500mm = (59")     | Main Drop (point of distrution) |
| 1200mm = (47 1/4") |                                 |
| 900mm = (35 1/2")  |                                 |
| 600mm = (23 5/8")  |                                 |
| 300mm = (11 7/8")  |                                 |

--- Wire running under carpet



**HYBRID PRO RENTAL KIT**

Title: SET-UP INSTRUCTIONS

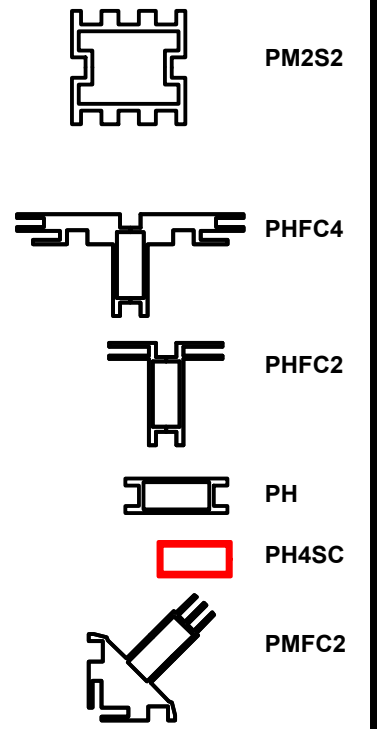
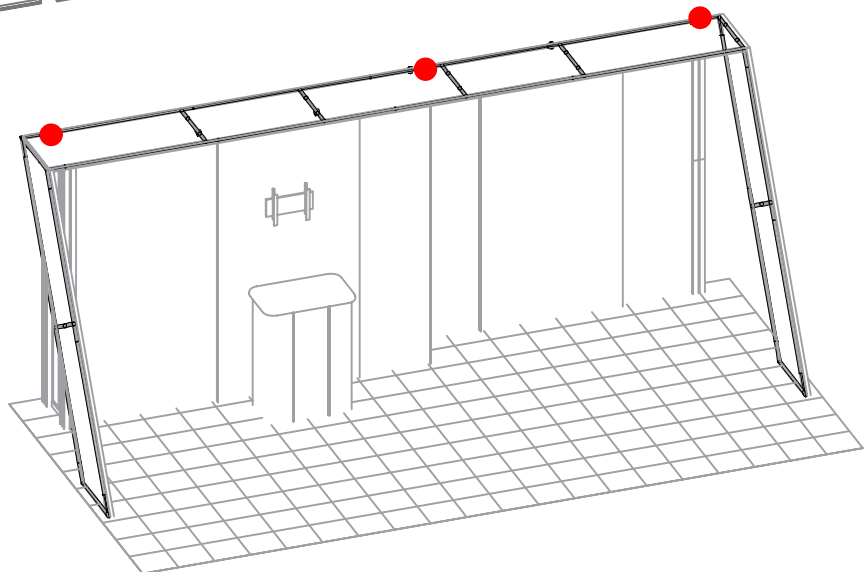
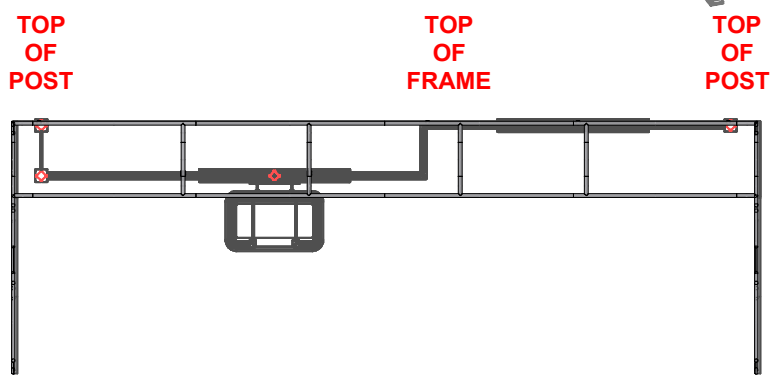
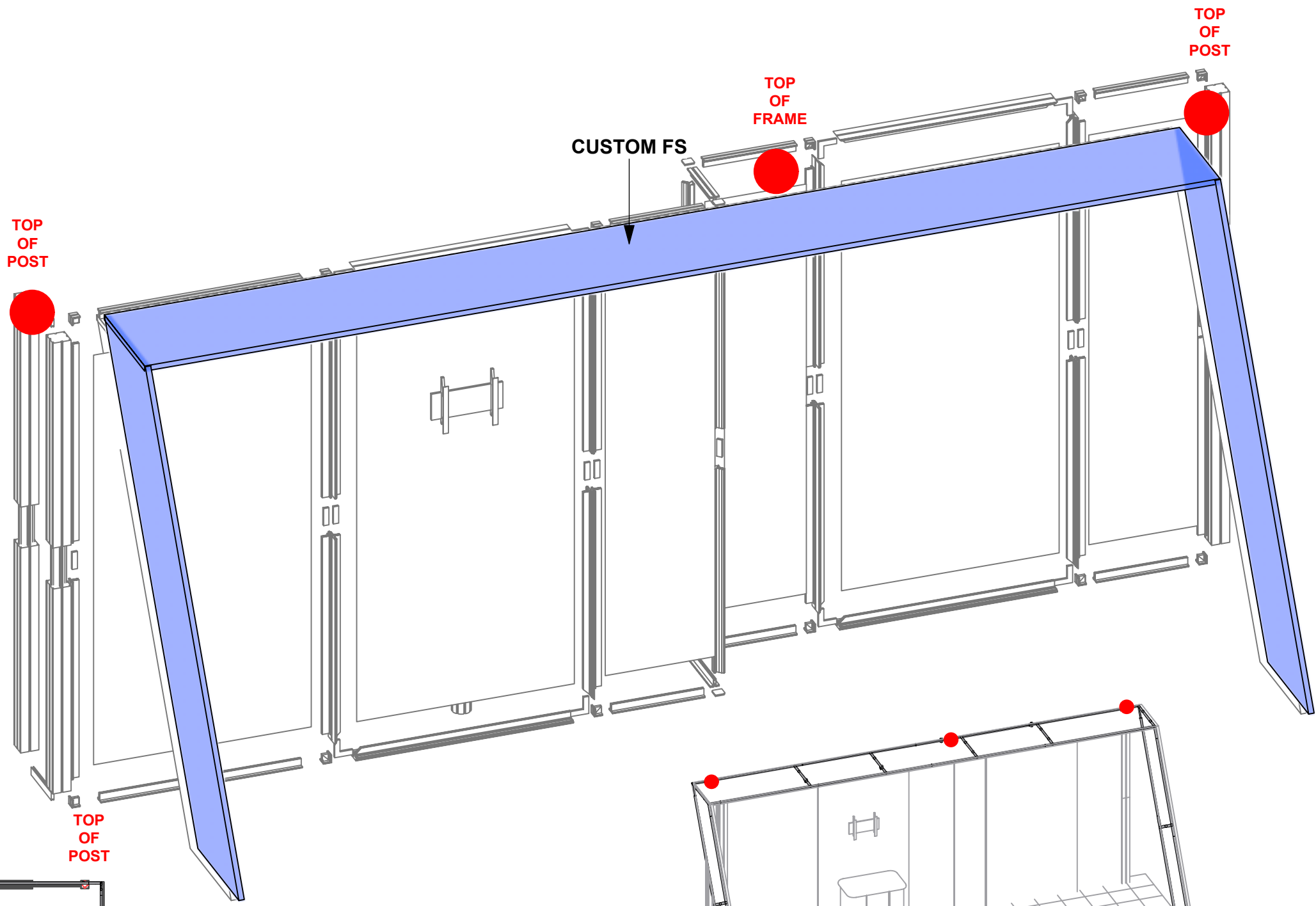
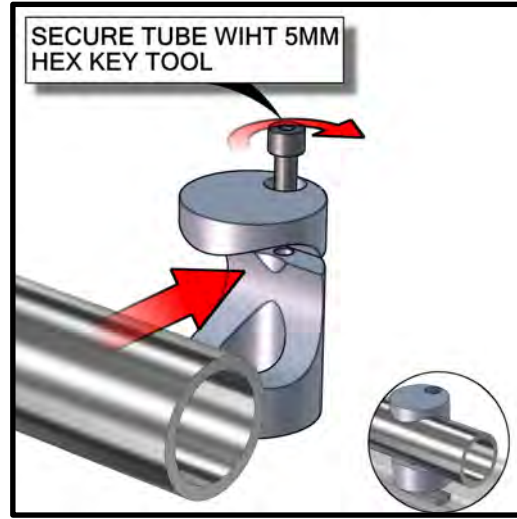
| Code      | # | Description                                       |
|-----------|---|---|
| CUST-FS   | 1 | APPROX. 230" W X 24" D 30MM TUBE STRUCTURE CANOPY |
| CUST-FS   | 2 | APPROX. 124" L X 20" D ANGLED 30MM TUBE STRUCTURE |
| CUSTOM FS | 1 | ONE PIECE CUSTOM 30MM TUBE FABRIC STRUCTURE       |

1. Redesign of this exhibit without approval by manufacturer may result in dangerous and unsafe structures. Manufacturer disclaims any responsibility for redesigned exhibits it does not approve in writing.

2. Parts and components such as panels and extrusions are manufactured to metric sizing. Where ever possible sizes have been noted in feet and inches as well as in metric. Below is the imperial to metric sizing table as reference. "Nominal" refers to approximate size.

|                    |                                 |
|--------------------|---------------------------------|
| 2400mm = (94 1/2") | Phone Line / Fax                |
| 2100mm = (82 5/8") | Internet connection             |
| 1800mm = (70 7/8") | Outlet                          |
| 1500mm = (59")     | Main Drop (point of distrution) |
| 1200mm = (47 1/4") |                                 |
| 900mm = (35 1/2")  |                                 |
| 600mm = (23 5/8")  |                                 |
| 300mm = (11 7/8")  |                                 |

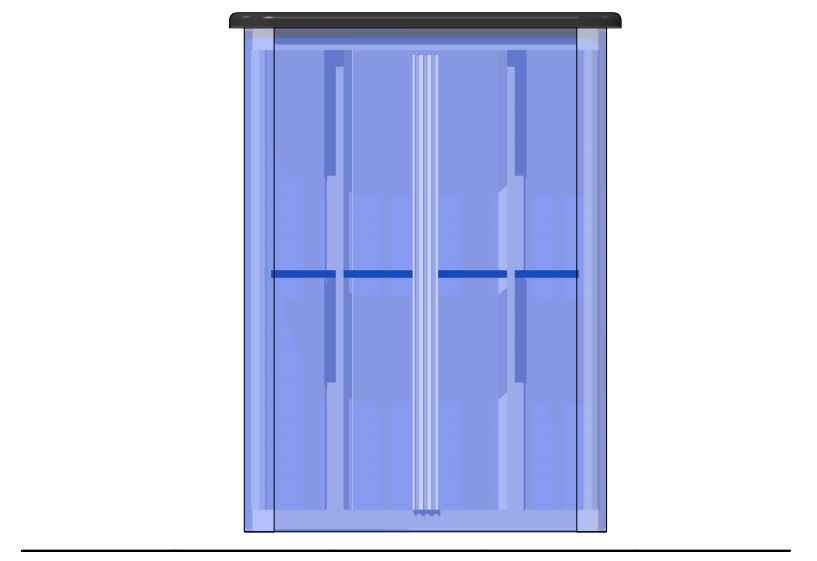
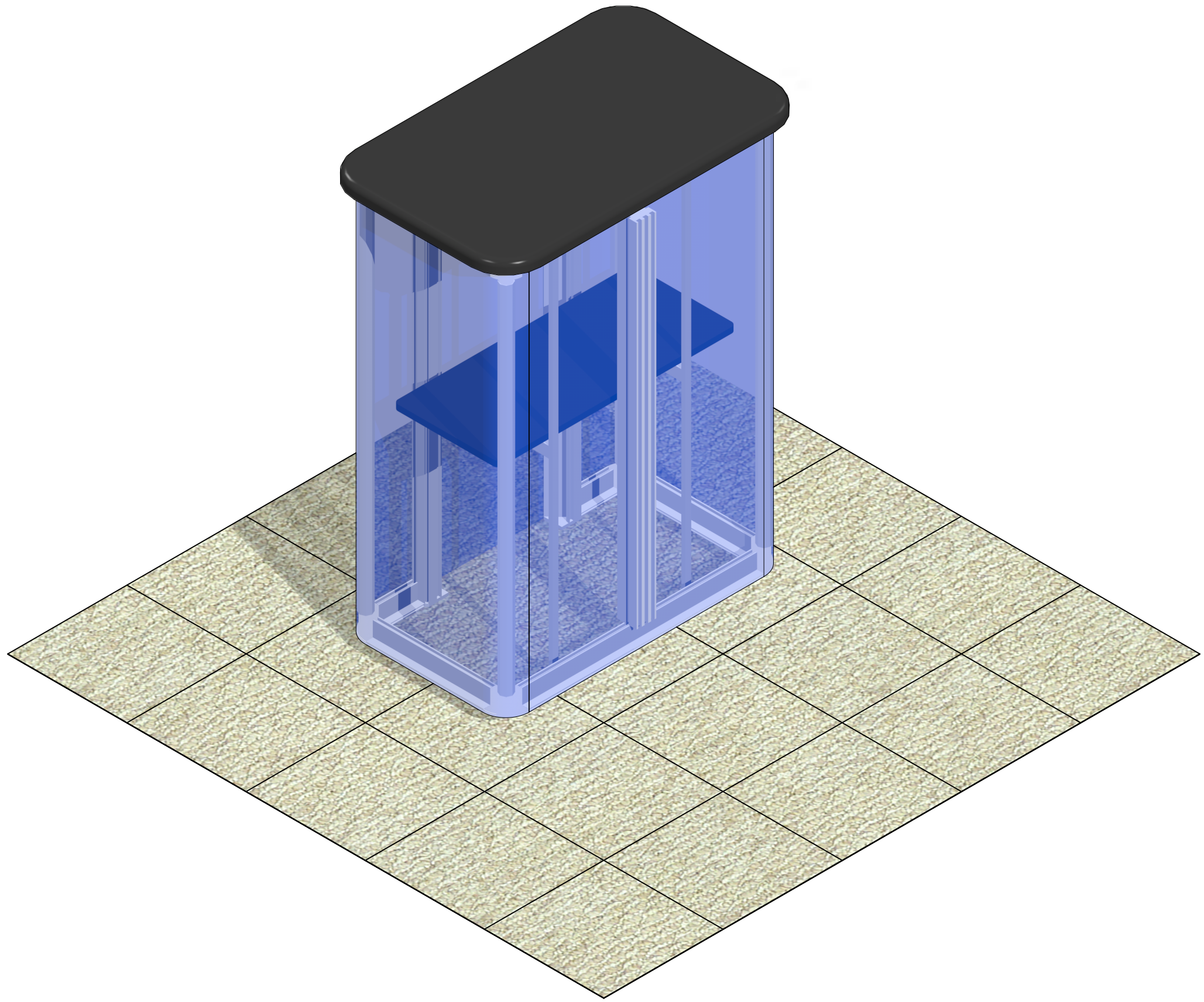
--- Wire running under carpet



**HYBRID PRO RENTAL KIT**

Title: SET-UP INSTRUCTIONS

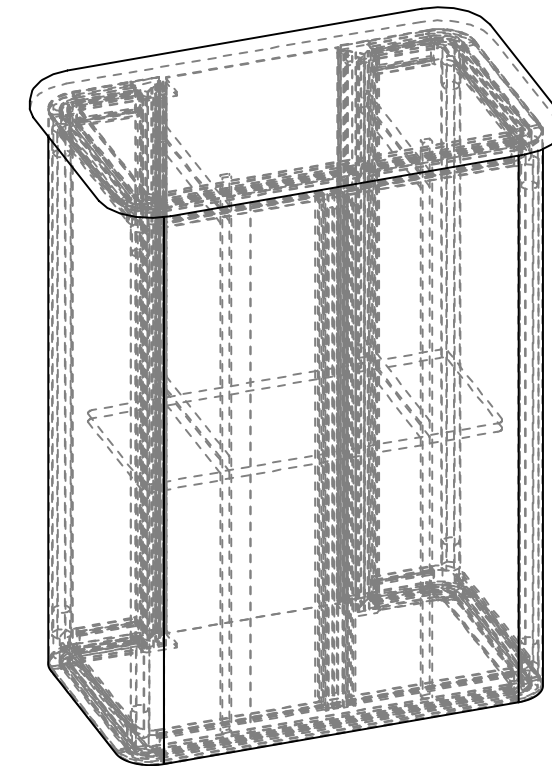
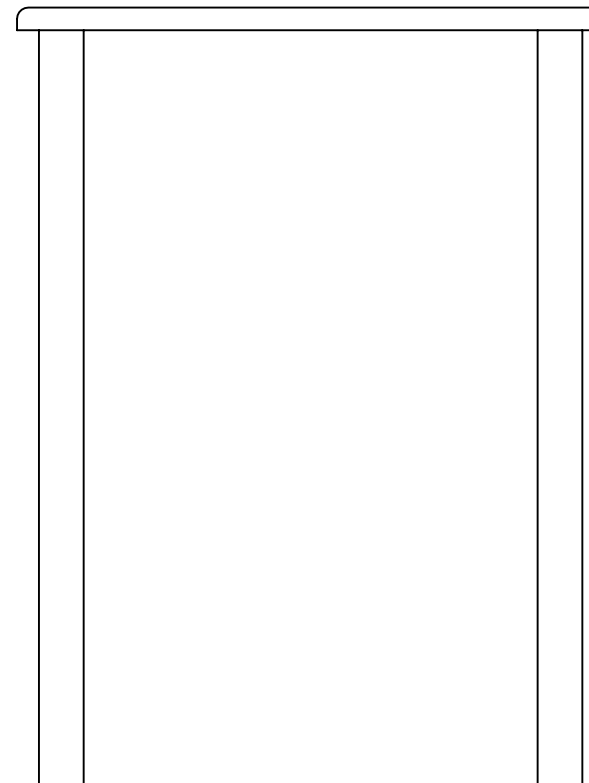
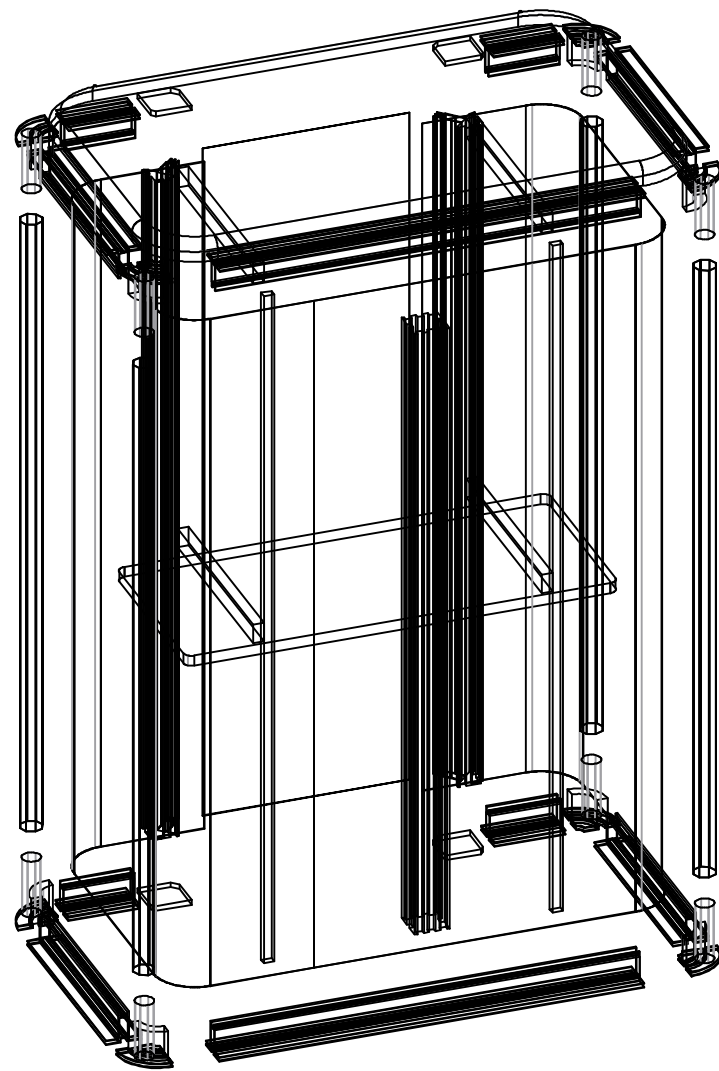
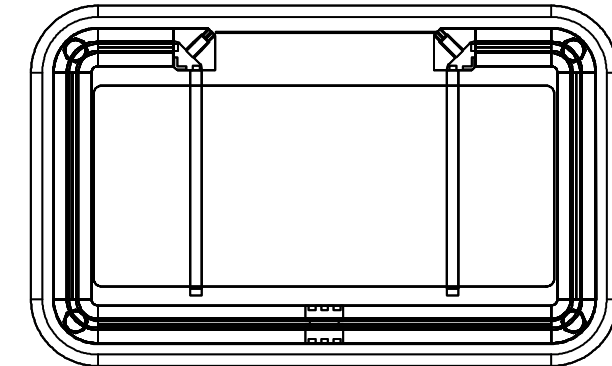
**R-VFC-04**



| Code         | # | Description   |
|--------------|---|---|
| GRAPHIC      | 1 | 43 3/8" (H) X 15 1/2" (W) SINGLE SIDED DYESUB GRAPHIC W/ FCE-2 (SEG) ON PERIMETER |
| R6           | 4 | 300MM (11.81") PHFC2 EXTRUSION WITH LOCKS 2 ENDS                                  |
| R5           | 4 | 100MM (3.94") PHFC2 EXTRUSION WITH LOCKS 2 ENDS                                   |
| R109         | 4 | 910MM LENGTH 30mm (1.18 Inch) TUBE  |
| R4           | 2 | 600MM (23.62") PHFC2 EXTRUSION WITH LOCKS 2 ENDS                                  |
| VFC-04-CT    | 1 | 3' X 2' LAMINATE COUNTER TOP [ BLACK THERMAFORM ]                                 |
| R3           | 2 | 986MM (38.82") PMFC2-90 EXTRUSION-WITH LOCKS BOTH ENDS                            |
| PMFC2-90 CAP | 4 | PMFC2 90 DEGREE EXTRUSION CAP   |
| R2           | 4 | 288MM (11.34") PH1 EXTRUSION WITH LOCKS 2 ENDS                                    |
| R1           | 1 | 910MM (35.82") 50MM PM2S SQUARE EXTRUSION WITH LOCKS 2 ENDS                       |
| VFC-04-CT-S  | 1 | INTERNAL SHELF FOR VECTOR COUNTER VFC-04  |
| GRAPHIC      | 1 | 43 3/8" (H) X 77 1/4" (W) SINGLE SIDED DYESUB GRAPHIC W/ FCE-2 (SEG) ON PERIMETER |
| PE-1000      | 2 | 1000MM (39.37") PE EXTRUSION  |
| CB10-R       | 8 | 50MM ROUND PHCF2 CORNER BRACKET   |

# BOM

R-VFC-04

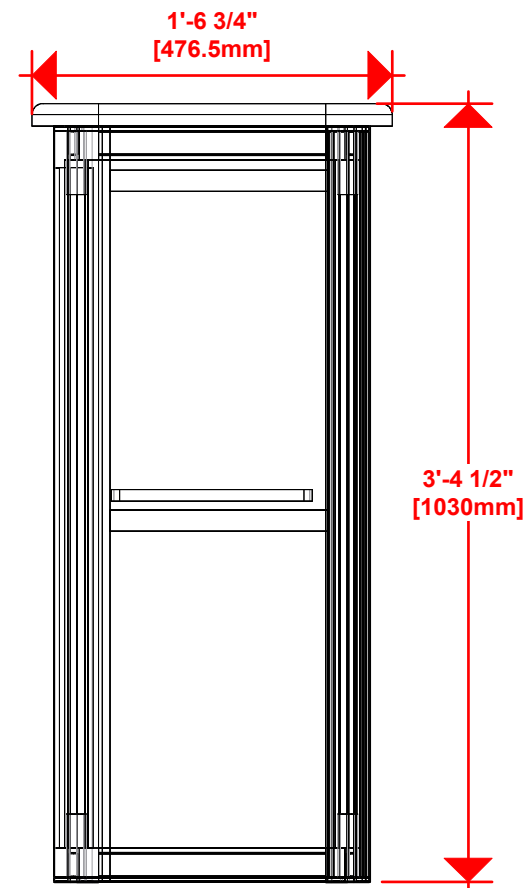
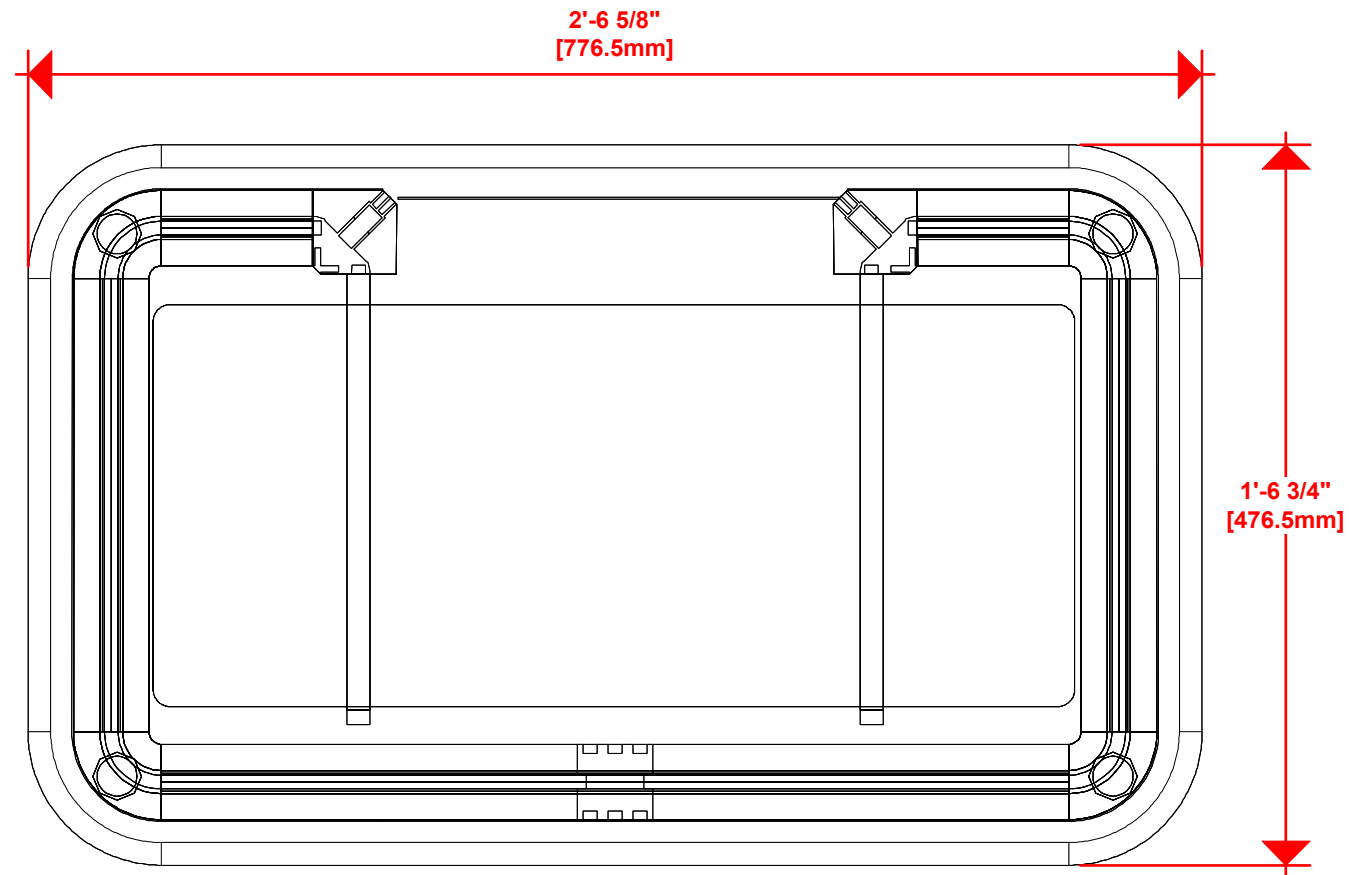


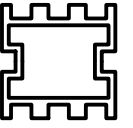
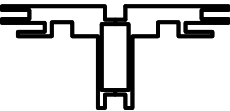
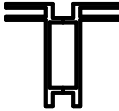



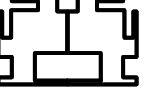
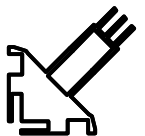


1. Redesign of this exhibit without approval by manufacturer may result in dangerous and unsafe structures. Manufacturer disclaims any responsibility for redesigned exhibits it does not approve in writing.

2. Parts and components such as panels and extrusions are manufactured to metric sizing. Where ever possible sizes have been noted in feet and inches as well as in metric. Below is the imperial to metric sizing table as reference. "Nominal" refers to approximate size.

- |                    |                                   |
|--------------------|-----------------------------------|
| 2400mm = (94 1/2") | ☒ Phone Line / Fax                |
| 2100mm = (82 5/8") | ☒ Internet connection             |
| 1800mm = (70 7/8") | ☒ Outlet                          |
| 1500mm = (59")     | ☒ Main Drop (point of distrution) |
| 1200mm = (47 1/4") |                                   |
| 900mm = (35 1/2")  |                                   |
| 600mm = (23 5/8")  |                                   |
| 300mm = (11 7/8")  |                                   |
- Wire running under carpet



-  PM2S2
-  PHFC4
-  PHFC2
-  PH
-  PH4SC
-  PH1
-  PMFC2-T
-  PMFC2-90

**HYBRID PRO RENTAL KIT**

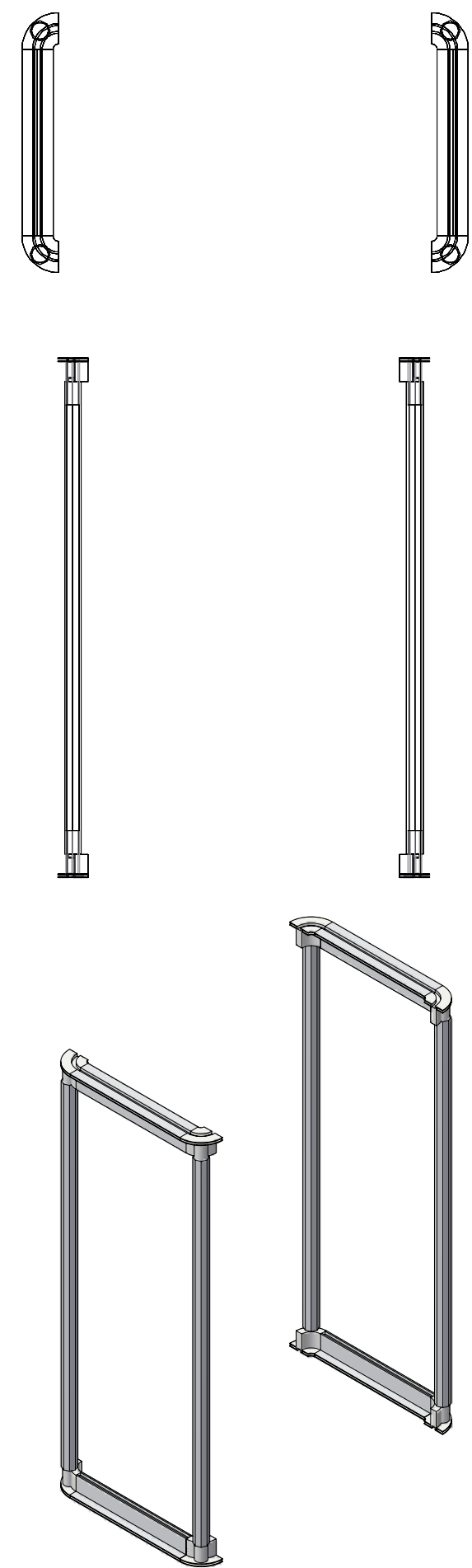
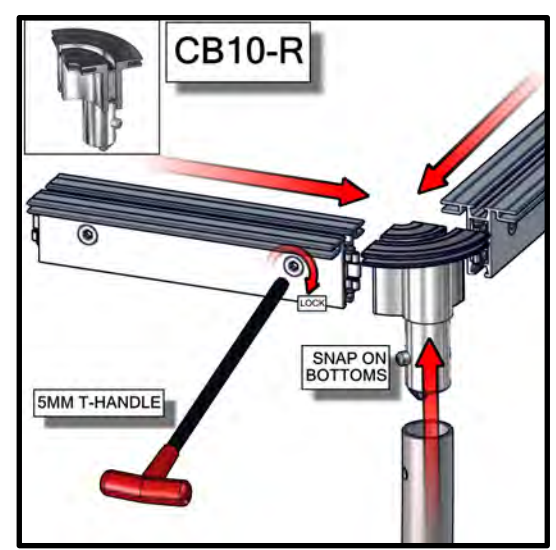
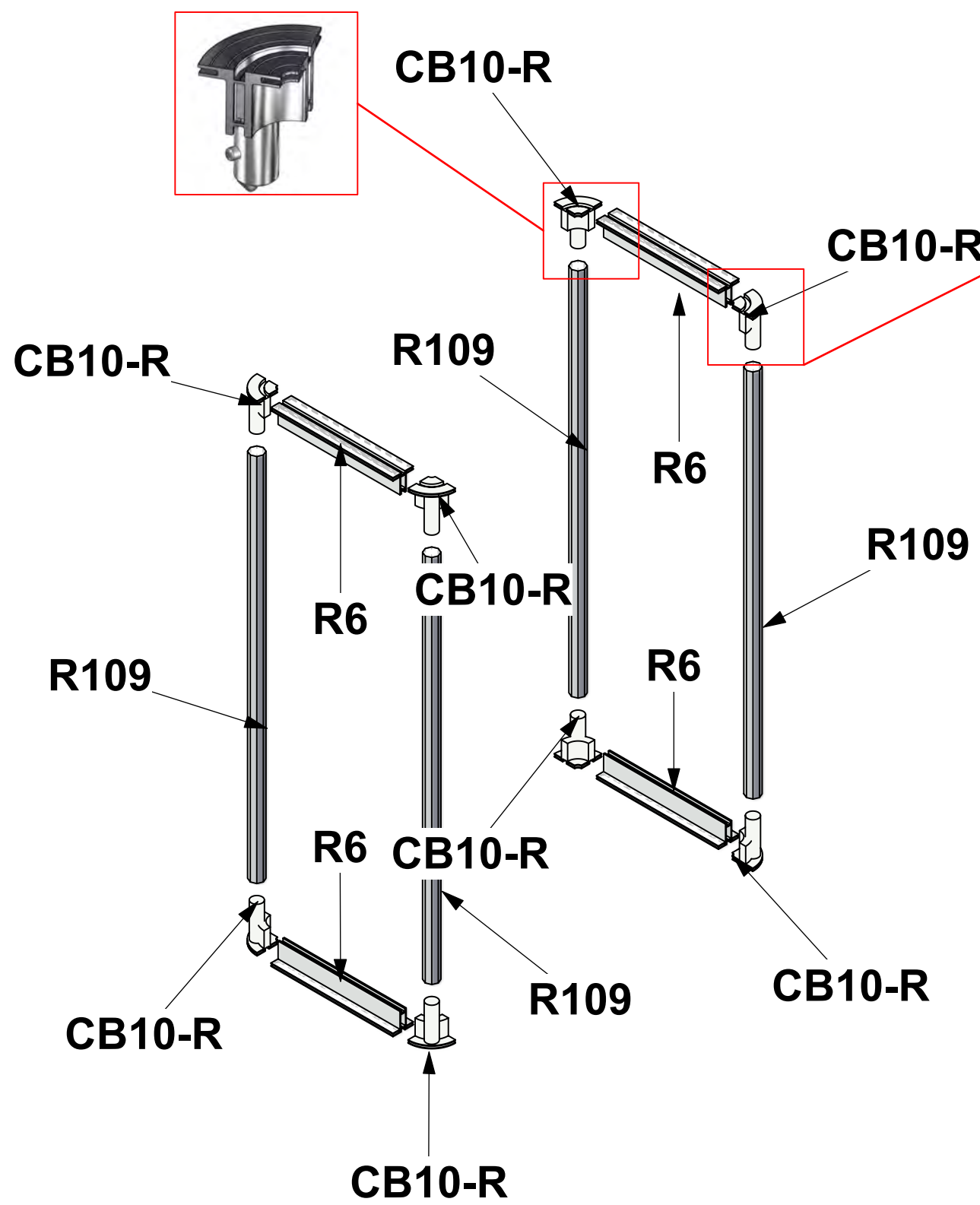
Title: SET-UP INSTRUCTIONS

| Code   | # | Description                                      |
|--------|---|--|
| R6     | 4 | 300MM (11.81") PHFC2 EXTRUSION WITH LOCKS 2 ENDS |
| R109   | 4 | 910MM LENGTH 30mm (1.18 Inch) TUBE               |
| CB10-R | 8 | 50MM ROUND PHCF2 CORNER BRACKET                  |

1. Redesign of this exhibit without approval by manufacturer may result in dangerous and unsafe structures. Manufacturer disclaims any responsibility for redesigned exhibits it does not approve in writing.

2. Parts and components such as panels and extrusions are manufactured to metric sizing. Where ever possible sizes have been noted in feet and inches as well as in metric. Below is the imperial to metric sizing table as reference. "Nominal" refers to approximate size.

- |                    |                                 |
|--------------------|---------------------------------|
| 2400mm = (94 1/2") | Phone Line / Fax                |
| 2100mm = (82 5/8") | Internet connection             |
| 1800mm = (70 7/8") | Outlet                          |
| 1500mm = (59")     | Main Drop (point of distrution) |
| 1200mm = (47 1/4") |                                 |
| 900mm = (35 1/2")  |                                 |
| 600mm = (23 5/8")  |                                 |
| 300mm = (11 7/8")  |                                 |
- Wire running under carpet



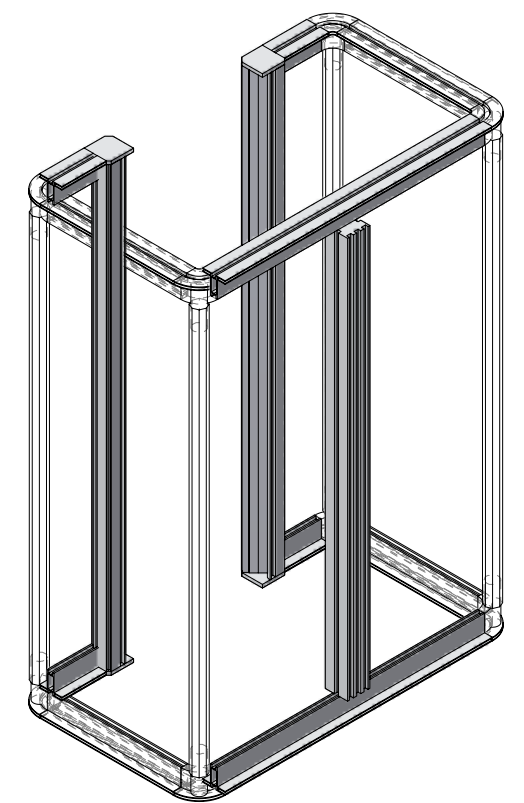
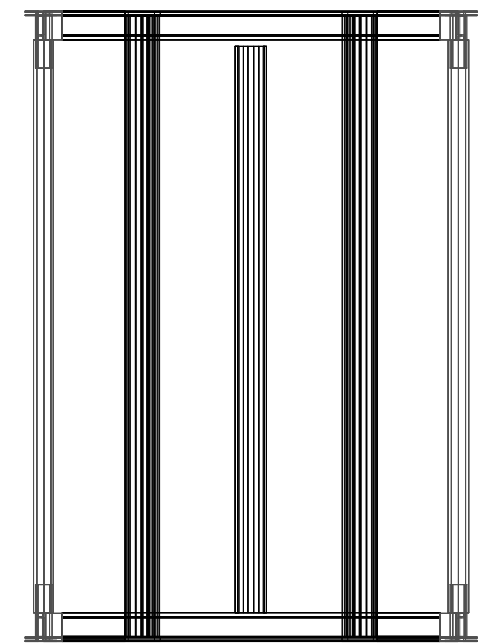
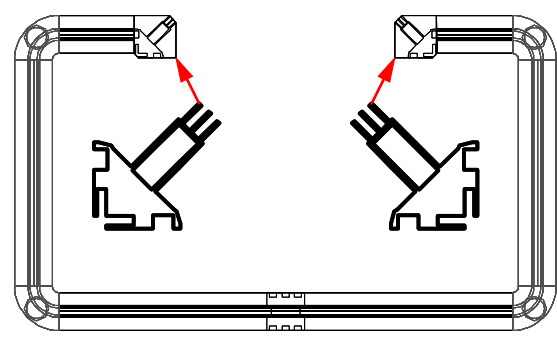
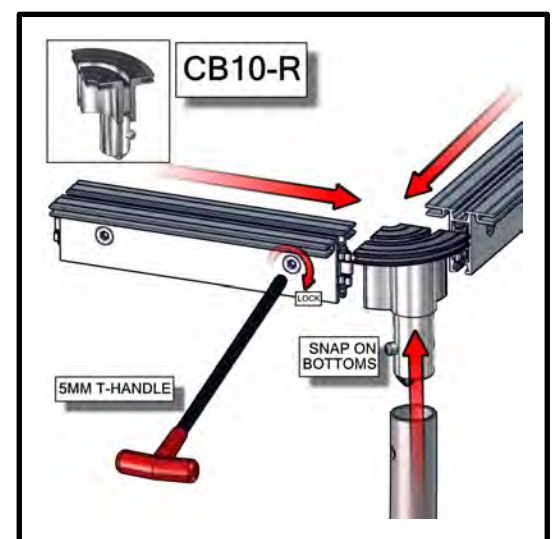
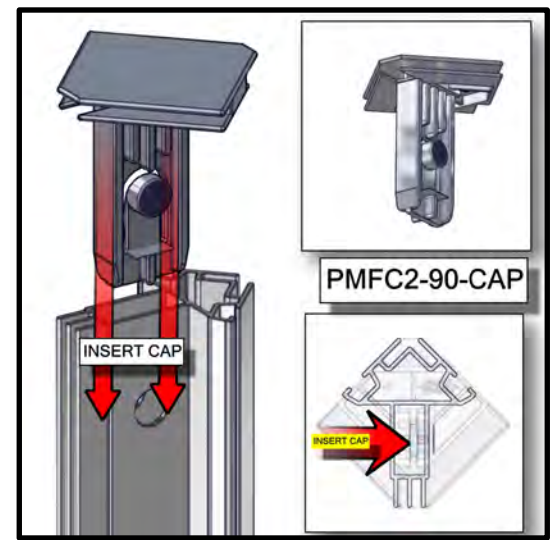
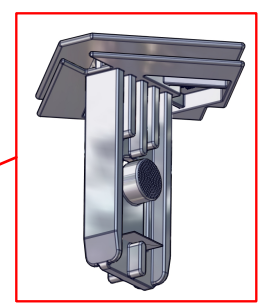
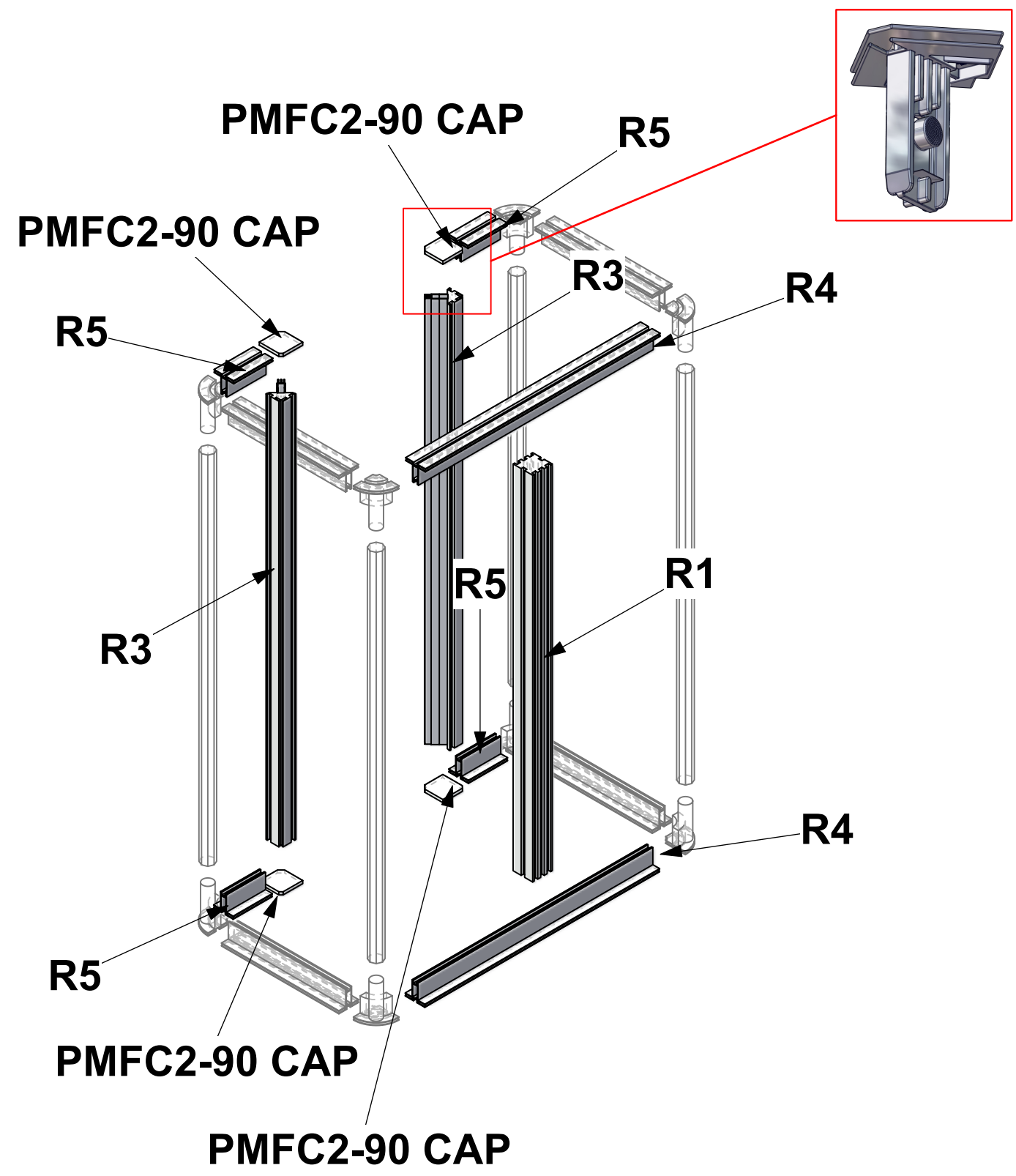
- PM2S2
- PHFC4
- PHFC2
- PH
- PH4SC
- PH1
- PMFC2-T
- PMFC2-90

**HYBRID PRO RENTAL KIT**

Title: SET-UP INSTRUCTIONS

**BUILD 2 UNITS**

| Code        | # | Description   |
|-------------|---|---|
| R5          | 4 | 100MM (3.94") PHFC2 EXTRUSION WITH LOCKS 2 ENDS             |
| R4          | 2 | 600MM (23.62") PHFC2 EXTRUSION WITH LOCKS 2 ENDS            |
| R3          | 2 | 986MM (38.82") PMFC2-90 EXTRUSION-WITH LOCKS BOTH ENDS      |
| PMFC2-90 CA | 4 | PMFC2 90 DEGREE EXTRUSION CAP                               |
| R1          | 1 | 910MM (35.82") 50MM PM2S SQUARE EXTRUSION WITH LOCKS 2 ENDS |

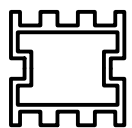
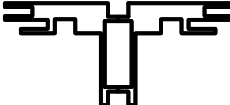
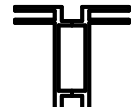



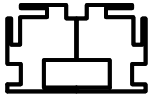
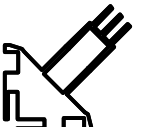


1. Redesign of this exhibit without approval by manufacturer may result in dangerous and unsafe structures. Manufacturer disclaims any responsibility for redesigned exhibits it does not approve in writing.

2. Parts and components such as panels and extrusions are manufactured to metric sizing. Where ever possible sizes have been noted in feet and inches as well as in metric. Below is the imperial to metric sizing table as reference. "Nominal" refers to approximate size.

|                    |                                 |
|--------------------|---------------------------------|
| 2400mm = (94 1/2") | Phone Line / Fax                |
| 2100mm = (82 5/8") | Internet connection             |
| 1800mm = (70 7/8") | Outlet                          |
| 1500mm = (59")     | Main Drop (point of distrution) |
| 1200mm = (47 1/4") |                                 |
| 900mm = (35 1/2")  |                                 |
| 600mm = (23 5/8")  |                                 |
| 300mm = (11 7/8")  |                                 |

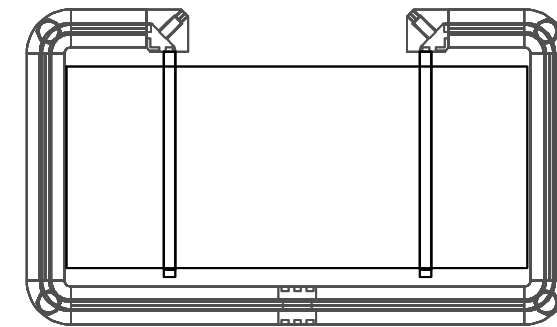
--- Wire running under carpet

-  PM2S
-  PHFC4
-  PHFC2
-  PH
-  PH4SC
-  PH1
-  PMFC2-T
-  PMFC2-90

HYBRID PRO RENTAL KIT

Title: SET-UP INSTRUCTIONS

| Code        | # | Description                                    |
|-------------|---|--|
| R2          | 4 | 288MM (11.34") PH1 EXTRUSION WITH LOCKS 2 ENDS |
| VFC-04-CT-S | 1 | INTERNAL SHELF FOR VECTOR COUNTER VFC-04       |
| PE-1000     | 2 | 1000MM (39.37") PE EXTRUSION                   |

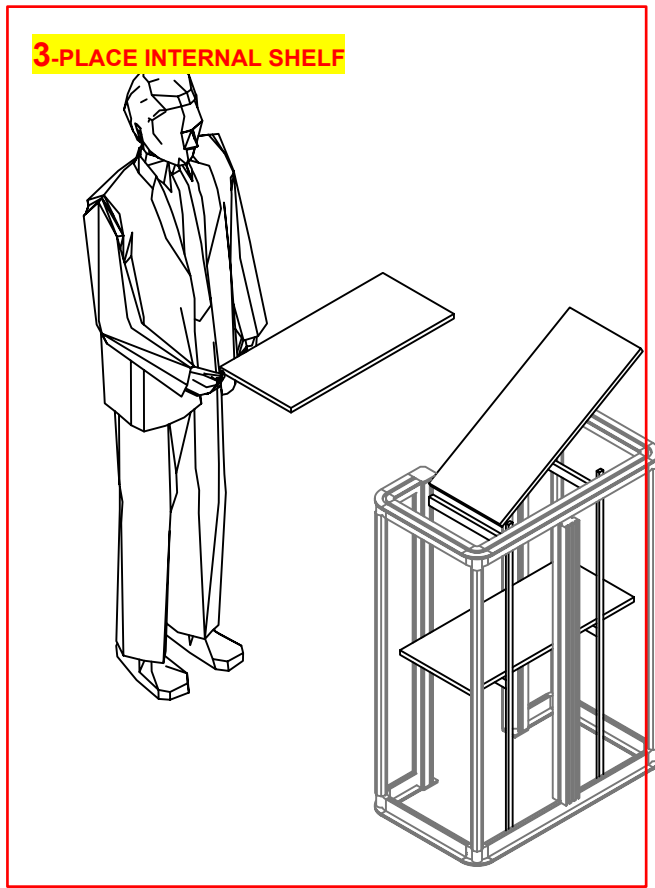
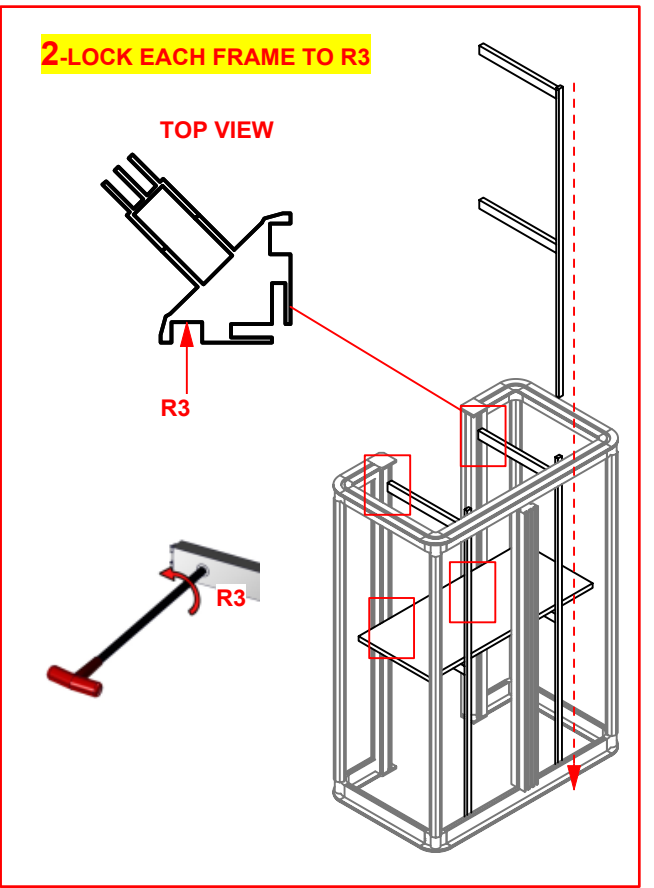
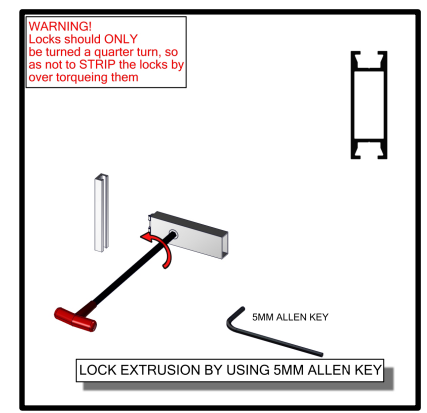
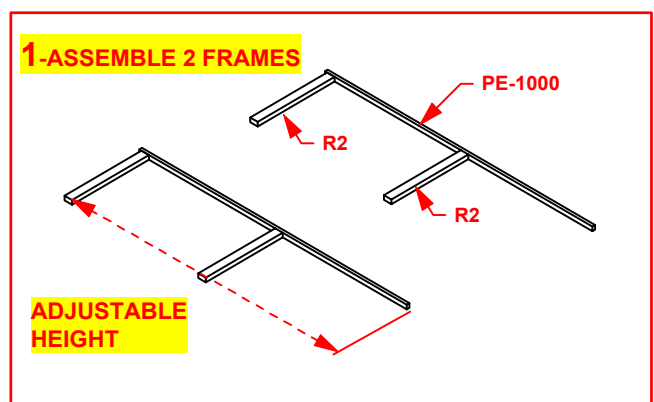
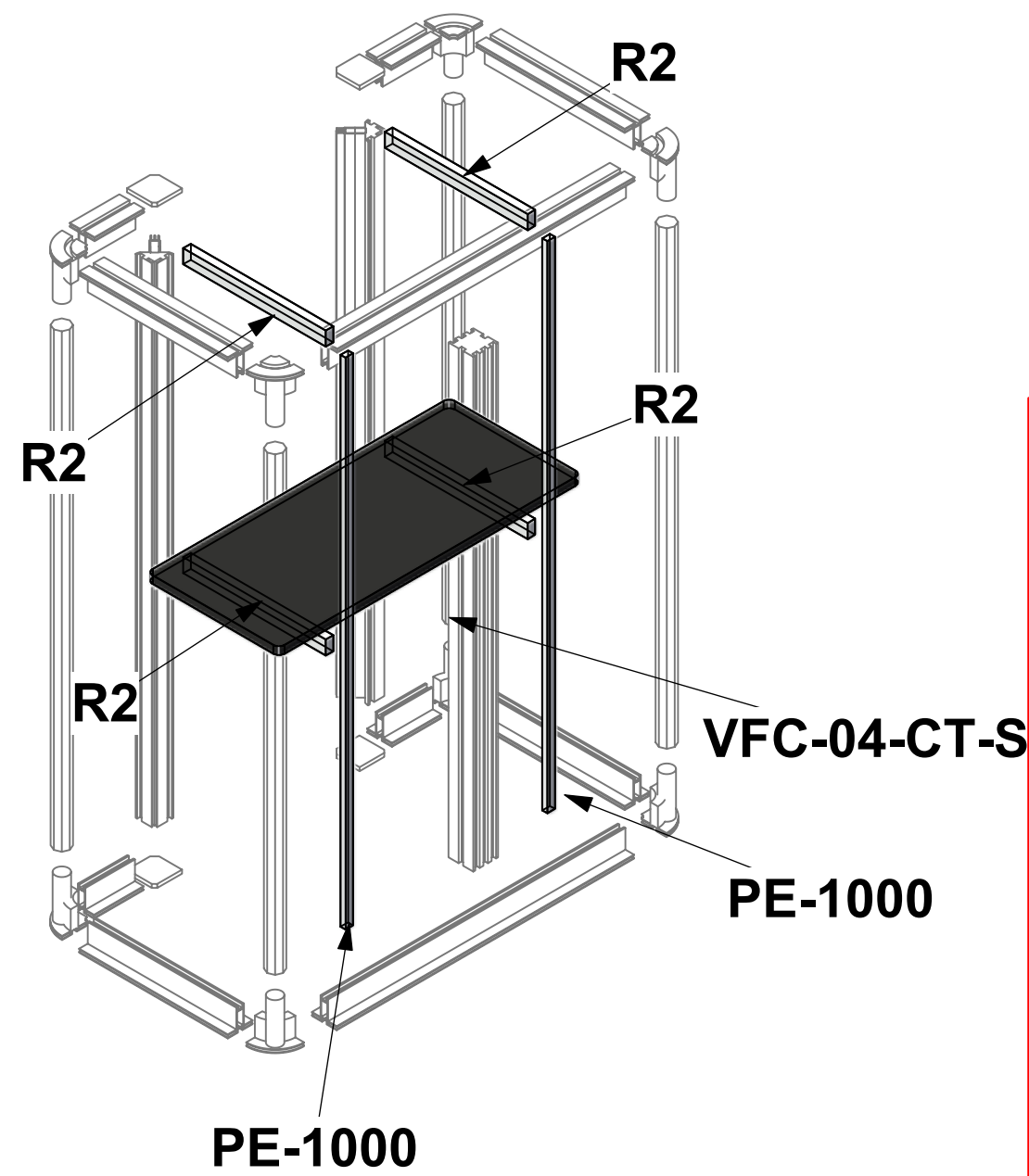


1. Redesign of this exhibit without approval by manufacturer may result in dangerous and unsafe structures. Manufacturer disclaims any responsibility for redesigned exhibits it does not approve in writing.

2. Parts and components such as panels and extrusions are manufactured to metric sizing. Where ever possible sizes have been noted in feet and inches as well as in metric. Below is the imperial to metric sizing table as reference. "Nominal" refers to approximate size.

|                    |                                 |
|--------------------|---------------------------------|
| 2400mm = (94 1/2") | Phone Line / Fax                |
| 2100mm = (82 5/8") | Internet connection             |
| 1800mm = (70 7/8") | Outlet                          |
| 1500mm = (59")     | Main Drop (point of distrution) |
| 1200mm = (47 1/4") |                                 |
| 900mm = (35 1/2")  |                                 |
| 600mm = (23 5/8")  |                                 |
| 300mm = (11 7/8")  |                                 |

--- Wire running under carpet



- PM2S2
- PHFC4
- PHFC2
- PH
- PH4SC
- PH1
- PMFC2-T
- PMFC2-90

**HYBRID PRO RENTAL KIT**

Title: SET-UP INSTRUCTIONS

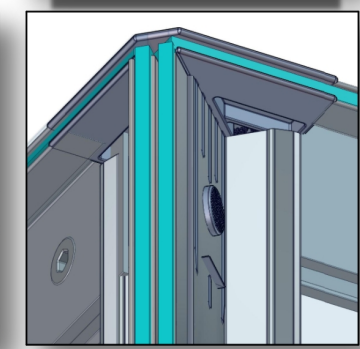
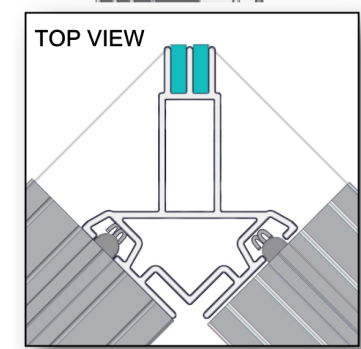
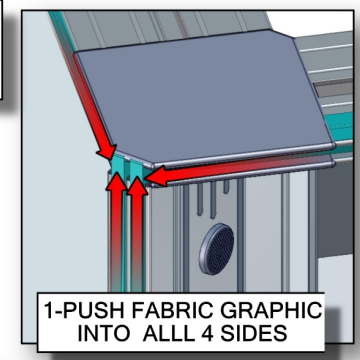
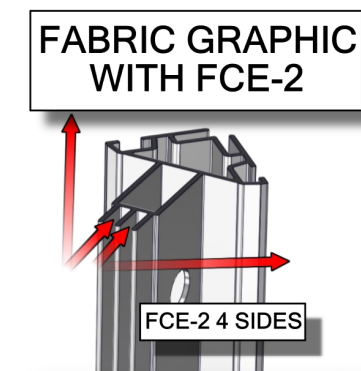
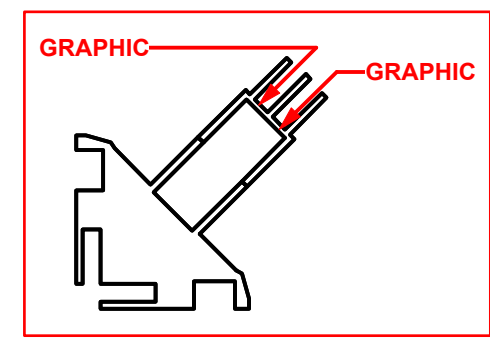
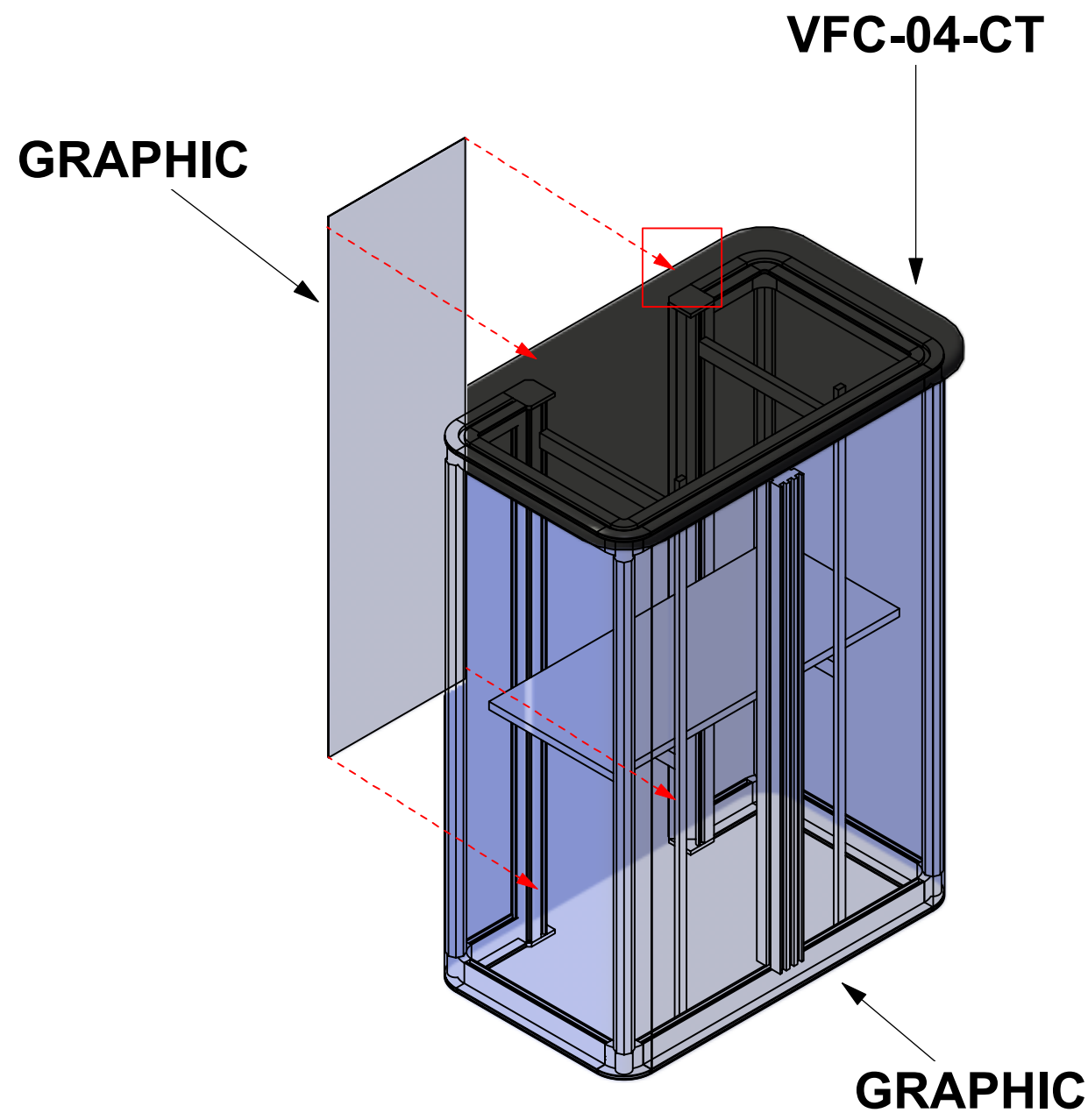
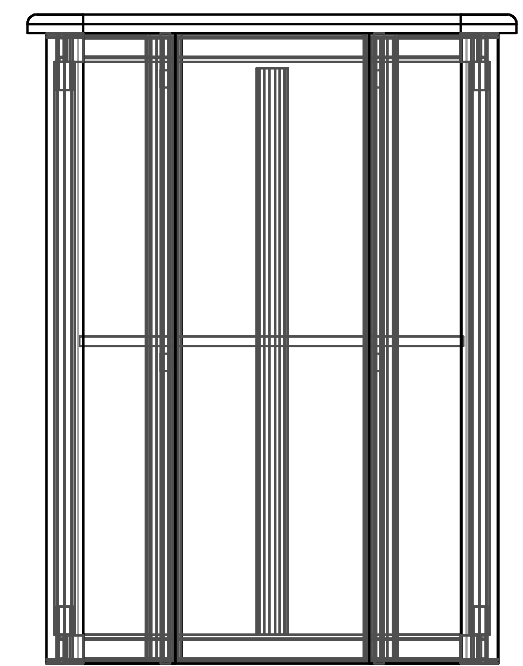
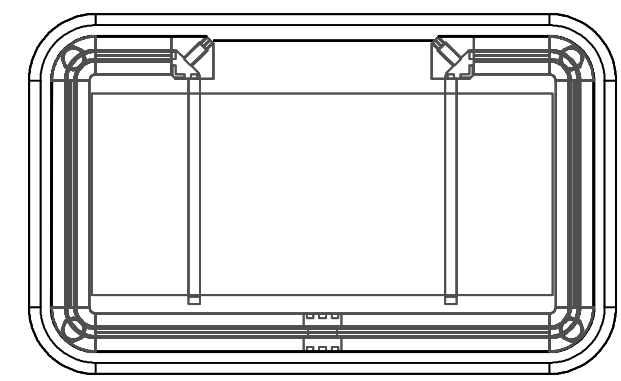
| Code      | # | Description  |
|-----------|---|--|
| GRAPHIC   | 1 | 43 3/8" (H) X 15 1/2" (W) SINGLE SIDED DYESUB GRAPHIC W/ FCE-2 (SEG) ON PE |
| VFC-04-CT | 1 | 3' X 2' LAMINATE COUNTER TOP [ BLACK THERMAFORM ]                          |
| GRAPHIC   | 1 | 43 3/8" (H) X 77 1/4" (W) SINGLE SIDED DYESUB GRAPHIC W/ FCE-2 (SEG) ON PE |

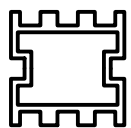
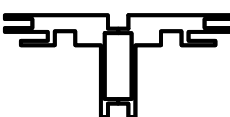
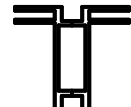



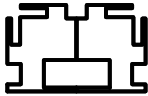
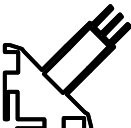
1. Redesign of this exhibit without approval by manufacturer may result in dangerous and unsafe structures. Manufacturer disclaims any responsibility for redesigned exhibits it does not approve in writing.

2. Parts and components such as panels and extrusions are manufactured to metric sizing. Where ever possible sizes have been noted in feet and inches as well as in metric. Below is the imperial to metric sizing table as reference. "Nominal" refers to approximate size.

|                    |                                 |
|--------------------|---------------------------------|
| 2400mm = (94 1/2") | Phone Line / Fax                |
| 2100mm = (82 5/8") | Internet connection             |
| 1800mm = (70 7/8") | Outlet                          |
| 1500mm = (59")     | Main Drop (point of distrution) |
| 1200mm = (47 1/4") |                                 |
| 900mm = (35 1/2")  |                                 |
| 600mm = (23 5/8")  |                                 |
| 300mm = (11 7/8")  |                                 |

--- Wire running under carpet



-  PM2S2
-  PHFC4
-  PHFC2
-  PH
-  PH4SC
-  PH1
-  PMFC2-T
-  PMFC2-90

**HYBRID PRO RENTAL KIT**

Title: SET-UP INSTRUCTIONS

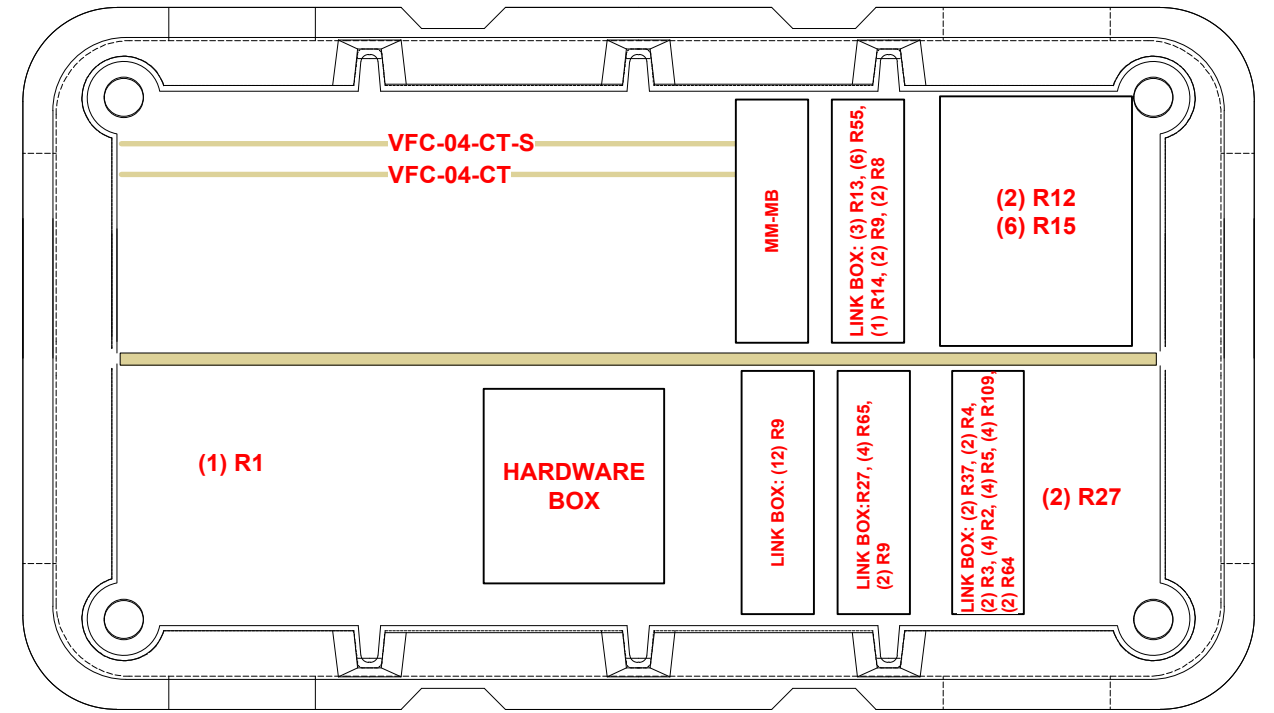
# **PACKING INSTRUCTIONS**



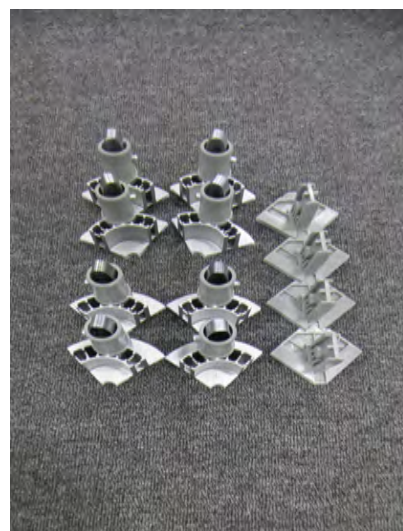
2



3



**HARDWARE BOX**



**CASE # 1**

| LEGEND |   |
|--------|---|
|        | GREY FOAM FOLDED TO FILL EMPTY SPACES OR USED AS PROTECTION |
|        | 1/8" CARDBOARD SPACER (PUT IN BETWEEN EVERY PANEL)          |
|        | DIVIDER   |
|        | 1/4" WHITE FOAM (USED AS PROTECTION DOOR PANELS W/ LOCKS)   |






INTERNAL DIMS 49"L X 24.5"W X 51"H  
EXTERNAL DIMS 59"L X 34"W X 57"H

**SCRATE**



TUBE STRUCTURE

## CASE # 2

|               |   |   |
|---------------|---|---|
| <b>LEGEND</b> |  | GREY FOAM FOLDED TO FILL EMPTY SPACES OR USED AS PROTECTION |
|               |  | 1/8" CARDBOARD SPACER (PUT IN BETWEEN EVERY PANEL)          |
|               |  | DIVIDER   |
|               |  | 1/4" WHITE FOAM (USED AS PROTECTION DOOR PANELS W/ LOCKS)   |
|               |  |   |

