

Hybrid Pro 20FT Modular Backwall Kit 25

HP-K-25

Hybrid Pro™ Modular Kit 24 is a stylish and functional modular exhibit that offers a locked storage closet, ample real estate for branding, as well two display counter and four multi-media display. This exhibit kit has it all! Push-fit SEG fabric graphics are coupled with extrusion frames for a seamless, sleek look.



Hybrid pro counter is optional not included at base price

features and benefits:

- Silver aluminum extrusion frames (4)
- SEG push-fit fabric graphics (4)
- Locked storage closet with fabric graphics
- Backwall counter color options: Silver, Black, Mahogany, Natural

- " - Medium monitor bracket holds 32-55" LCD*, max weight: 80 lbs
- Ships freight in a protective woodcrate
- Foreground counter and LCD monitors not included"
- Lifetime hardware warranty against manufacturer defects

dimensions:

Hardware

Graphic

Assembled unit:
221.19" w x 95.45" h x 68.92" d
5618.23mm(w) x 2424.43mm(h) x 1750.57mm(d)

Approximate weight:
550lbs / 249.48 kg

Refer to related graphic template for more information.

Visit:
www.exhibitors-handbook.com/graphic-templates

Shipping

additional information:

Packing case(s):
NCRATE, 2 OCH2

Shipping dimensions:
OCH2:
52" l x 29" h x 15" d
1321mm(l) x 737mm(h) x 381mm(d)
60" l x 57" h x 48" d
1524mm(l) x 1448mm(h) x 1220mm(d)

Approximate total shipping weight: 835 lbs / 379 kg

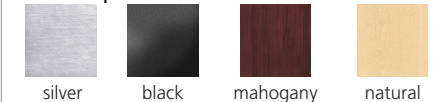
Graphic material:
Dye-sublimation SEG push-fit fabric

When included in a larger kit, a different packaging solution will be listed to accommodate all contents of the kit. Individual packaging no longer provided.

Panel Colors:



Tabletop Colors:



3 person assembly recommended:



We are continually improving and modifying our product range and reserve the right to vary the specifications without prior notice. All dimensions and weights quoted are approximate and we accept no responsibility for variance. E&OE. See Graphic Templates for graphic bleed specifications.

FABRIC, VINYL & UV GRAPHIC CARE GUIDELINES



GENERAL HANDLING FABRIC GRAPHICS

- Your fabric graphics should always be handled in a clean, dry area with clean hands. When possible, use white fabric gloves.
- Be sure fabric is clean and dry before packing.
- Machine washing and/or drying is not recommended for all fabrics. Refer to chart below for which fabrics are washable.

EMERGENCY STAIN TREATMENT (FABRIC)

- For dry stains, like loose dirt or pencil marks, try initially using masking tape or Magic Eraser (dry-not moistened).
 - Masking tape or MagicEraser (dry) can be quite effective at lifting dry, surface dirt. Try 'pulling' as much of stain away as you can. Avoid rubbing stain into fabric.
- Introduce water or liquid cleaner for stains not responsive to masking tape or dry Magic Eraser.
 - When using liquids to treat stains, if at all possible, treat the stain with fabric off of the frame.
 - Place a clean dry cloth behind stain (to absorb stain while being treated). Moisten another cloth initially with just water (distilled water is optimal, if available).
 - Gently blot stain with moistened cloth (or small area of moistened Magic Eraser), while trying to push stain through to the back, using the dry cloth to absorb.
 - Repeat using care to keep the wet area as small as possible.
- Grandma's Secret Spot Remover can be an effective stain remover. Mix several drops in a small cup with clean water. Repeat above technique, taking care to keep wet area as small as possible and using dry cloth on back of stain to absorb.

MACHINE WASHING FABRIC GRAPHICS

- Cold water/delicate cycle/tumble dry low or air dry. For stretch fabrics do not use dryer, let hang dry.
- Use caution on dryer time with graphics containing liners. Its best to put tension fabric on frame when fabric is still damp and let it air dry. Always be sure that the aluminum frame is clean when mounting the damp graphic.
- Fabric stretch graphics that are washed and machine dried may shrink up to 3/4" per every 50" of fabric in the direction of the stretch and shrink up to 1/4" in the non stretch direction.

STORING & PACKING BACKLIT GRAPHICS

- To avoid cracks in the ink or having to steam graphics, Backlit fabrics should be loosely folded with bubble wrap or stored around a tube.
- Avoid folding the graphic tightly to store in a small bag or box.

GENERAL HANDLING VINYL & UV GRAPHICS

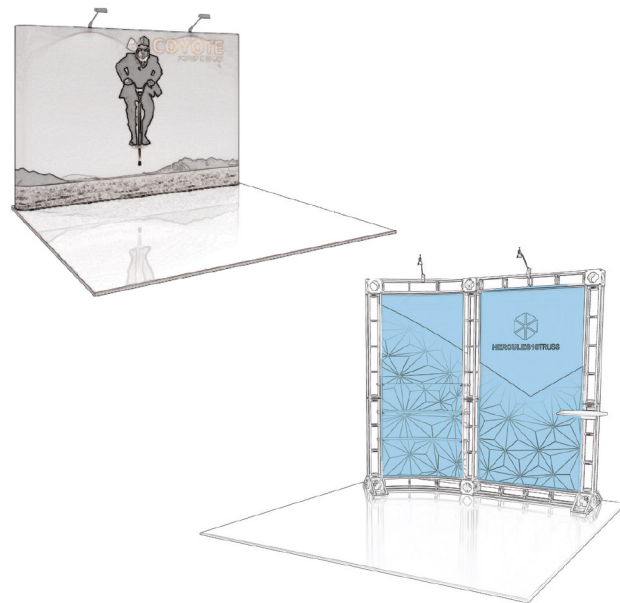
- Vinyl banners and rigid graphics should always be handled in a clean, dry area with clean hands. When possible, use white fabric gloves.
- Be sure vinyl/ UV is clean and dry before packing. Always follow material handling and packing instructions included.
- All vinyl materials should be rolled with graphics facing in to protect the graphic printed side. Roll on a tube if available.
- Avoid folding materials to reduce the risk of crease lines and chipped inks. If a graphic must be folded, try to fold loosely and as few times as possible.

EMERGENCY STAIN TREATMENT (UV)

- For drier stains, like loose dirt, pencil marks or adhesive, try initially using masking tape. Masking tape can be quite effective at lifting dry, surface dirt. Try 'pulling' as much of stain away as you can and avoid rubbing the stain into the material.
- When using Solvent to clean a stain be sure to avoid any image. Solvent is aggressive and will take the image off. Soapy water should be used at a ratio of 1 part Dawn® /10 parts water.
- While using Windex® avoid scrubbing harshly. Too much pressure can fade the graphic print.

GENERAL HANDLING OF ROLLABLE PVC PANELS

All mural panels, truss panels and detachables should be rolled with graphics facing out to protect the graphic printed side. Mural panels should be stored in the original plastic sleeves that are provided with the panels.



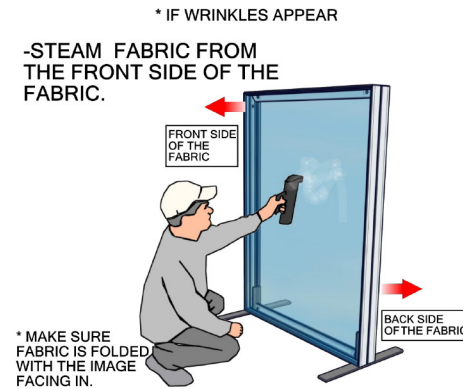
FABRIC, VINYL & UV GRAPHIC CARE GUIDELINES



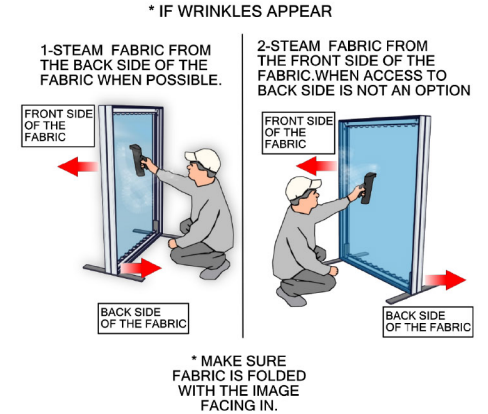
STEAMING FABRIC GRAPHICS

- For optimal results, steam wrinkles when fabric is tensioned and installed securely on the frame.
- Fill steamer with clean drinking water or distilled water. Avoid using water containing hard minerals.
- Hold steamer upright and hold close to fabric. Avoid touching fabric with steamer.
- Do not tip steamer as water drips may cause water marks to form on graphic.

NON BACKLIT FABRIC



BACKLIT FABRIC



HANDLING REFERENCE CHART

FABRIC	WASHING MACHINE	DRY CLEAN	SPOT CLEAN	STEAMING/ IRON	MAGIC ERASER
RESILIENCE	NO	NO	NO	NO	YES (ONLY ON WHITE)
OXFORD	YES	YES	YES	YES	YES
POWER STRETCH	YES	YES	YES	YES	YES
DISPLAY POLYESTER	YES	YES	YES	YES	YES
DISPLAY POLY CONVERTIBLES TABLE THROWS	YES (MUST VELCRO THE TABS)	YES (MUST VELCRO THE TABS)	YES	YES	YES
OUTDOOR FLAG	YES	N/A	YES	YES	YES
CANVAS OUTDOOR	NO	NO	YES	STEAM ONLY	YES
CANVAS LIGHTBOX	NO	NO	NO	STEAM ONLY	YES
AGILITY	YES	YES	YES	(ONLY W/ 100% TENSION)	YES
SUPER STRETCH	YES	YES	YES	(ONLY W/ 100% TENSION)	YES
TRIPLE WHITE	YES	YES	NO	YES	NO
SOFT KNIT	YES	YES	YES	YES	YES
SHEER	YES	YES	YES	YES	YES

VINYL & ROLLABLE

	SOLVENT	SOAPY WATER (DAWN®)	WINDEX®
FLATMAXX	ONLY ON WHITE	YES	NO
SCRIM 130Z/180Z	ONLY ON WHITE	YES	NO
VINYL 200Z	ONLY ON WHITE	YES	NO
MELINEX	NO	YES	NO
MURAL PANELS	NO	YES	YES
UV RIDGED	NO	YES	YES



Setup notes

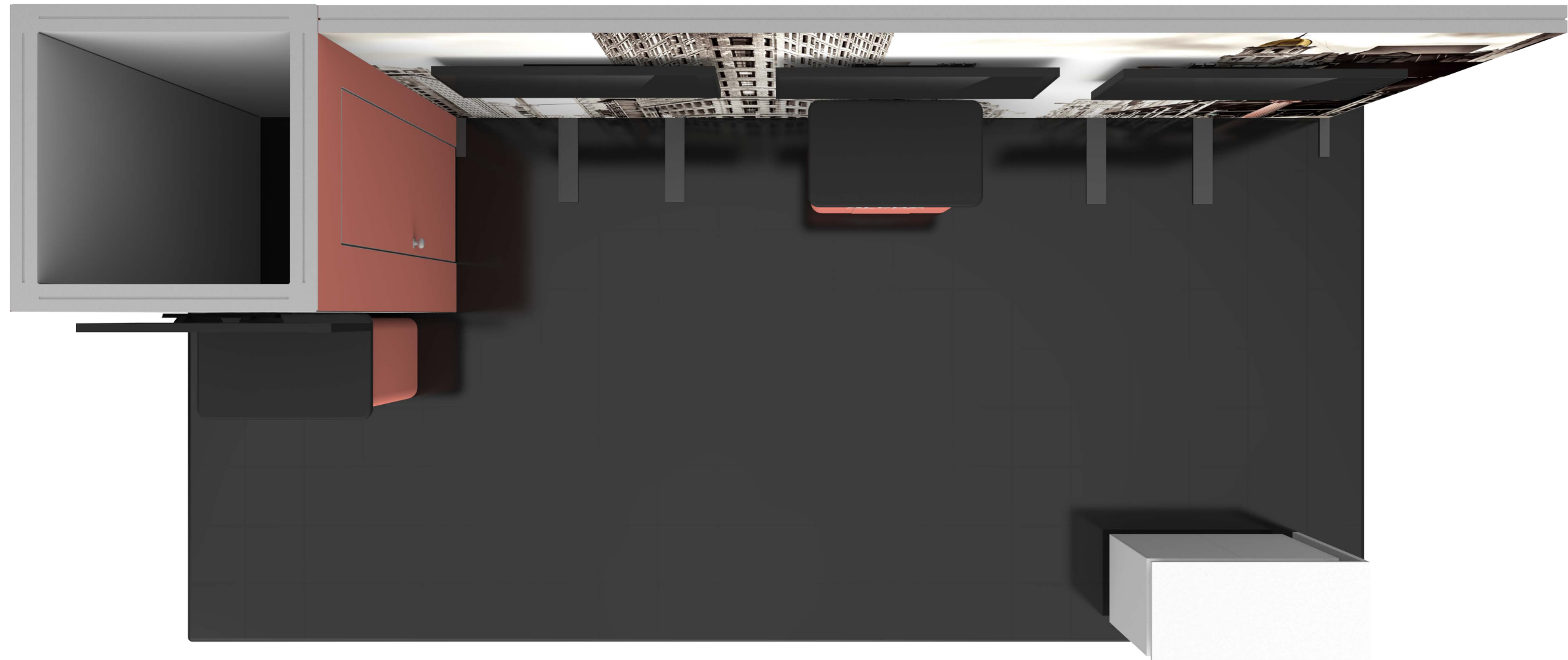
1. Redesign of this exhibit without approval by manufacture may result in dangerous and unsafe structures. Manufacture disclaims any responsibility for redesigned exhibits it does not approve in writing.

2. Parts and components such as panels and extrusions are manufactured to metric sizing. Where ever possible sizes have been noted in feet and inches as well as in metric. Below is the imperial to metric sizing table as a reference. 'Nominal' refers to approximate sizes.

IMPERIAL TO METRIC SIZES

**8' Nominal = 94 1/2" or 2400mm Actual
4' Nominal = 47 1/4" or 1200mm Actual
3' Nominal = 35 7/16" or 900mm Actual
2' Nominal = 23 5/8" or 600mm Actual
1' Nominal = 11 13/16" or 300mm Actual**

TOP DOWN LAYOUT

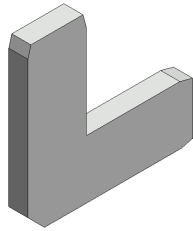


Included In Your Kit

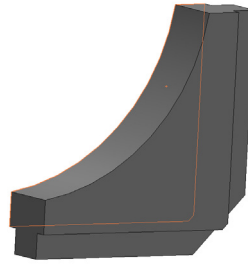
Tools, Components, & Connectors



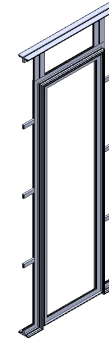
HEX KEY SET x1



CB9 x4



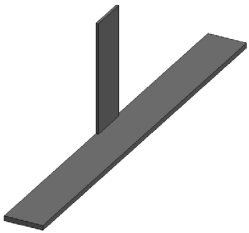
CBE-50 x12



VF-FCDOOR-900-LEFT x1



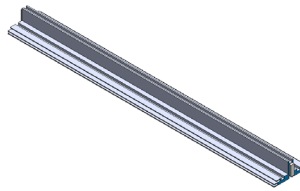
AF16-300-MCB4-SIDEx2



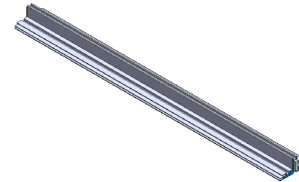
SW-FOOT-500 x2



PH1-1155-L-L1 x8



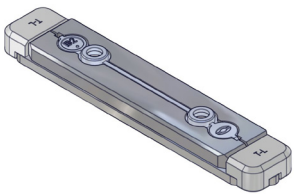
PHFC4-1200-L-MCB9-x4



PHFC4-900-L-L x6



PHFC4-1200-L-MCB9x4



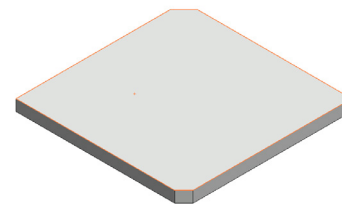
IB2-x14



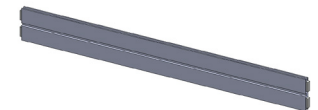
PM4DSC-600x4



PMFC4-90-1193-A315x8



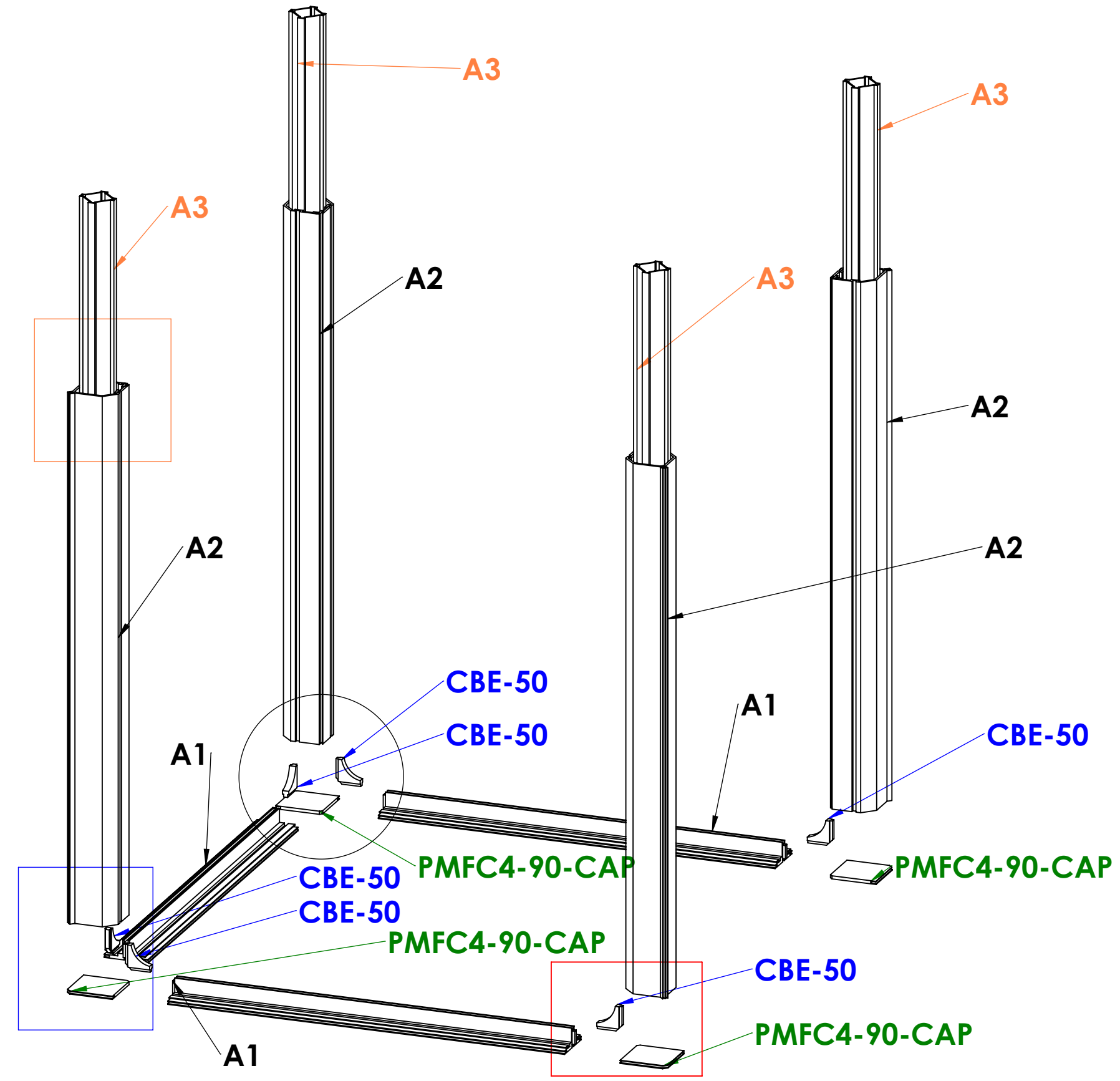
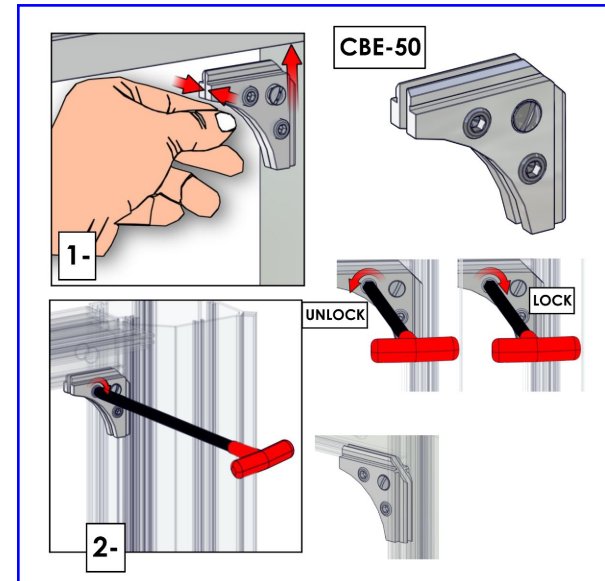
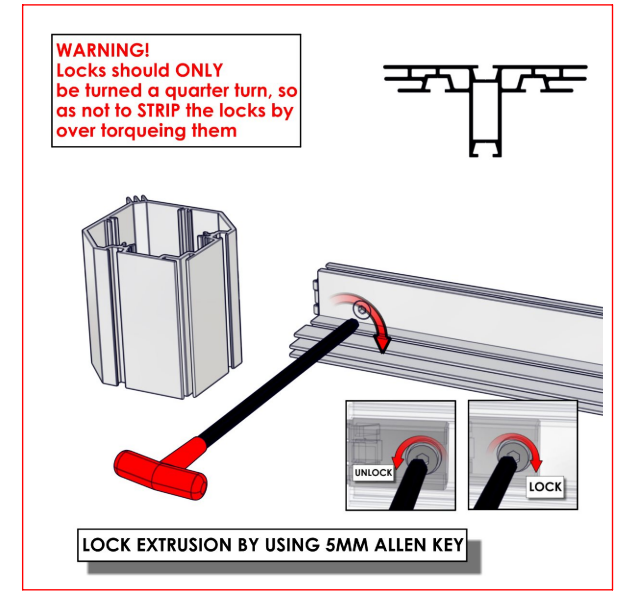
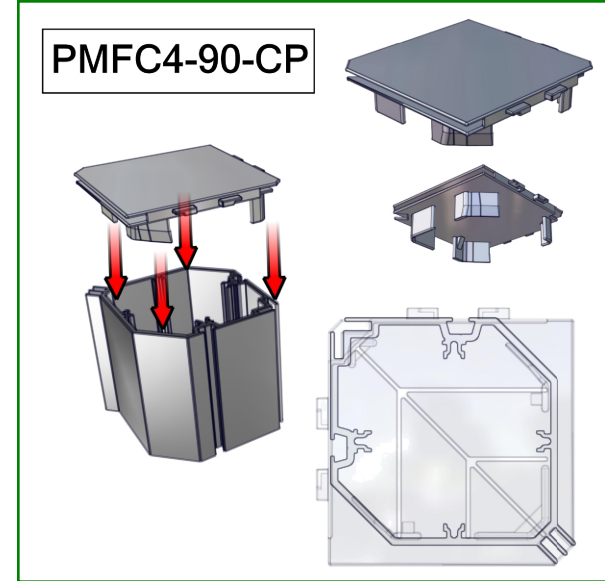
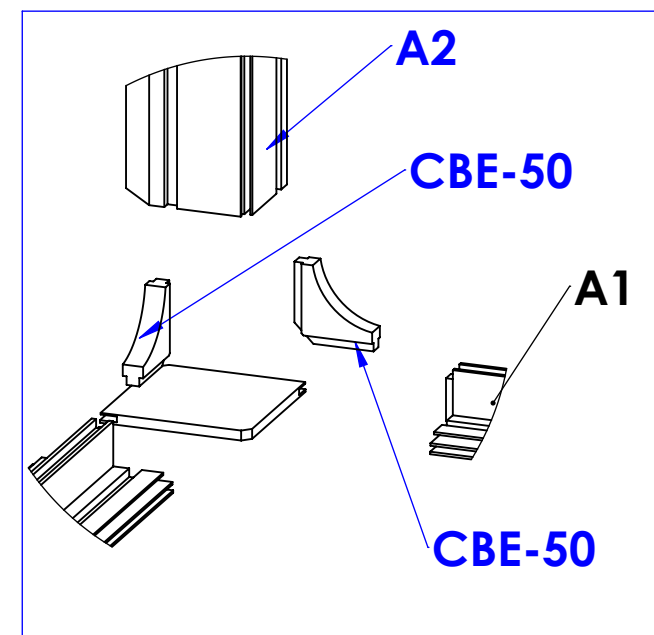
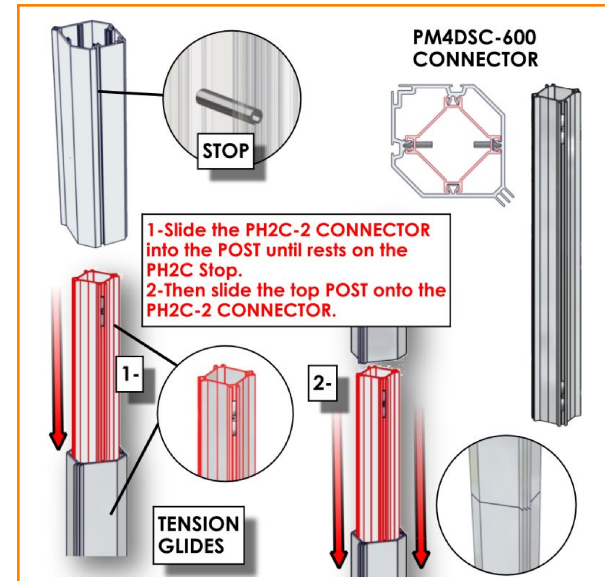
PMFC4-90-CAP x8



PS2-900-L-L

Code	#	Description
A2	4	1193MM LENGTH OF PMF4-90 EXTRUSION-WITH STOP AT 315MM
A3	4	PM4DSC-600 - 600MM 4-WAY INTERNAL CONNECTION EXTRUSION W/ 8 TENSION GLIDE
PMFC4-90-CAP	4	INJECTION MOLDED PLASTIC END CAP FOR PMFC4-90
A1	3	PHFC4-900 EXTRUSION-WITH CAM LOCKS-WITH CAM LOCKS
CBE-50	6	CORNER PRESSURE FIT CONNECTOR

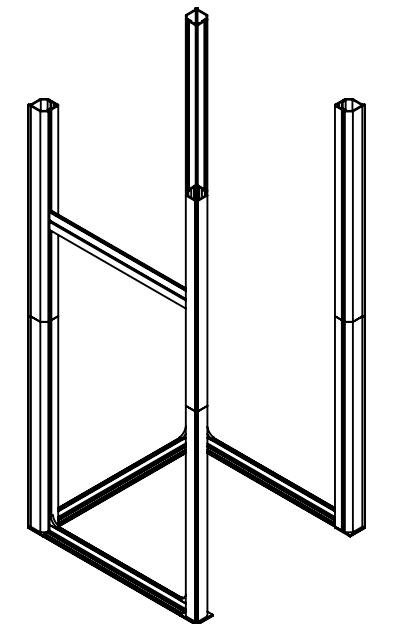
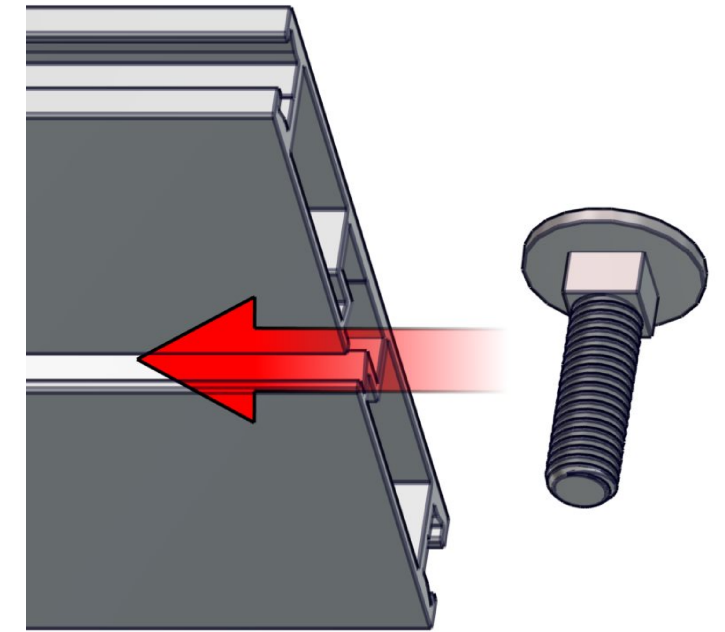
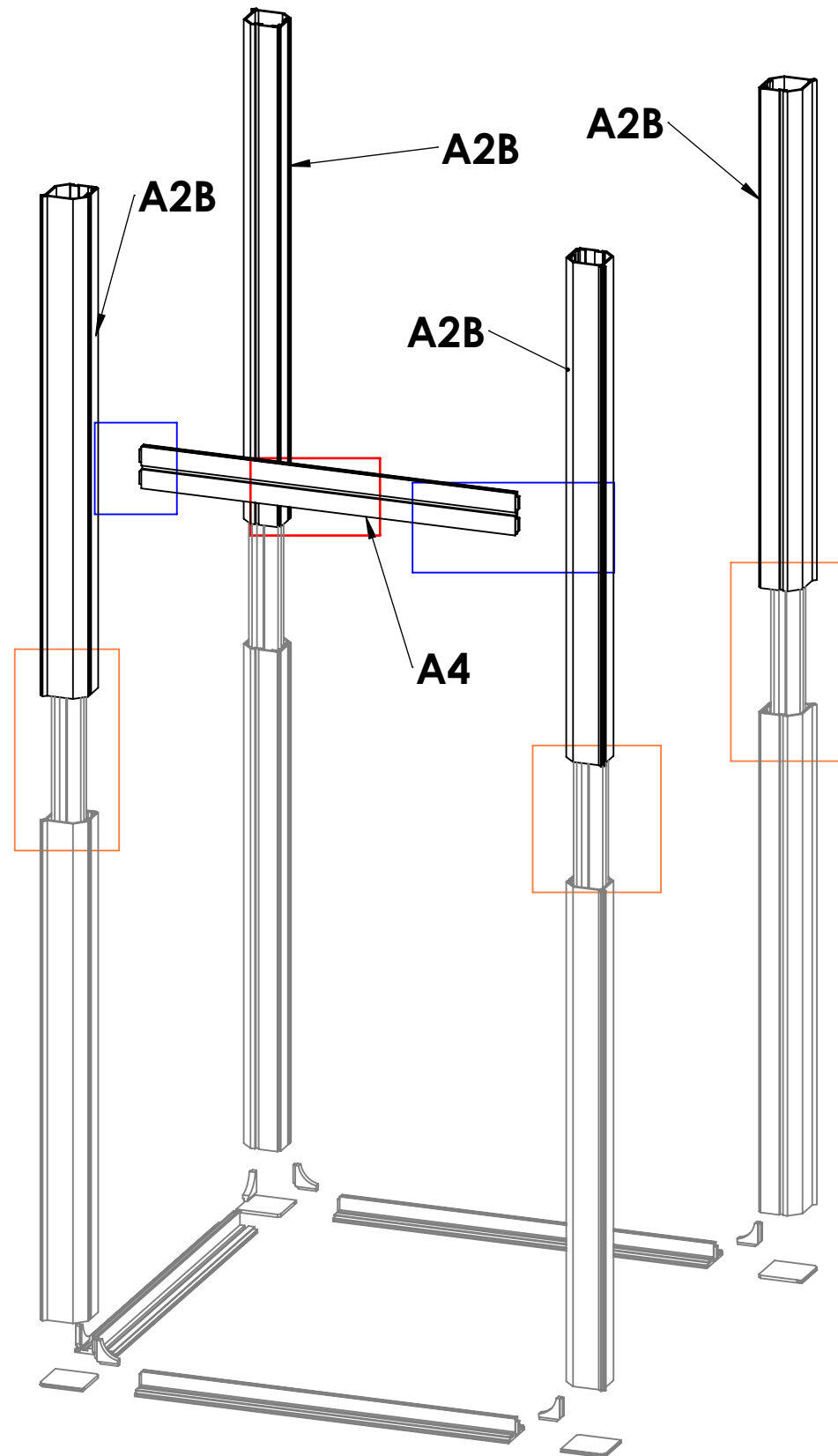
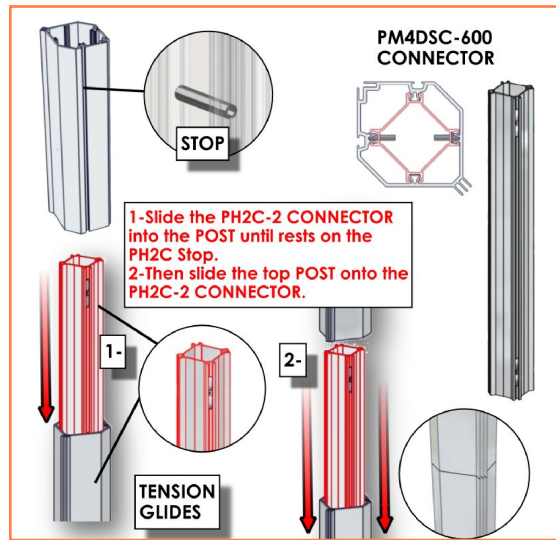
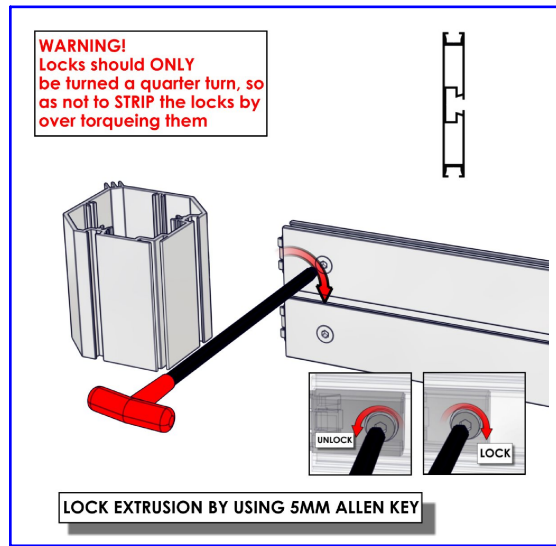
BOOTH STORAGE CLOSET BASE



Code	#	Description
A2B	4	1193MM LENGTH OF PMF4-90 EXTRUSION""
A4	1	900MM LENGTH OF PS2 EXTRUSION-WITH CAM LOCKS-WITH CAM LOCKS

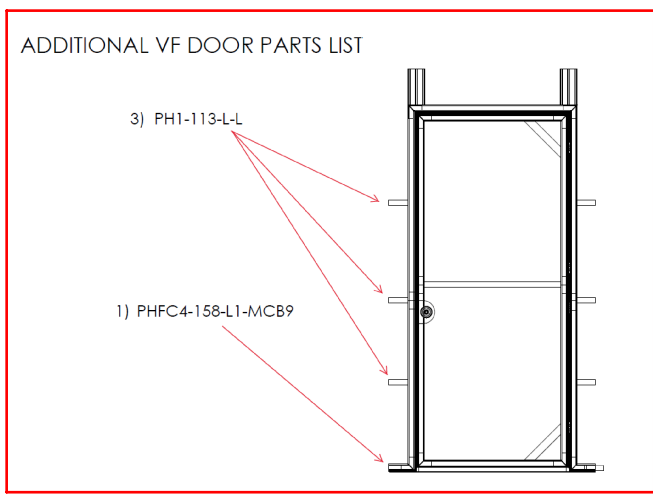
MID LEVEL SETUP FOR STORAGE CLOSET

PUT BOLTS FOR MONITOR MOUNT ON BEFORE LOCKING THE PS2 IN PLACE

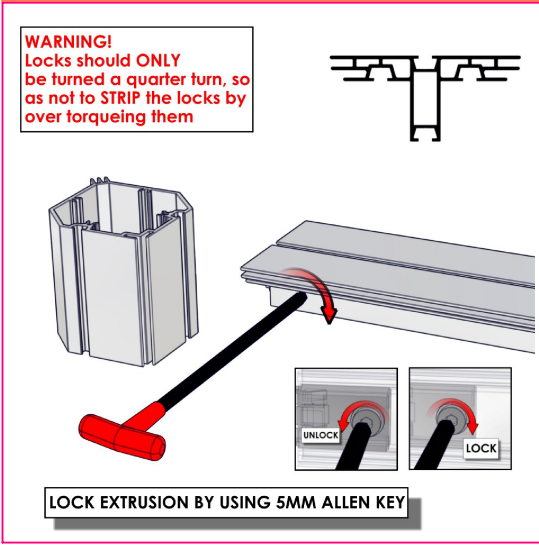
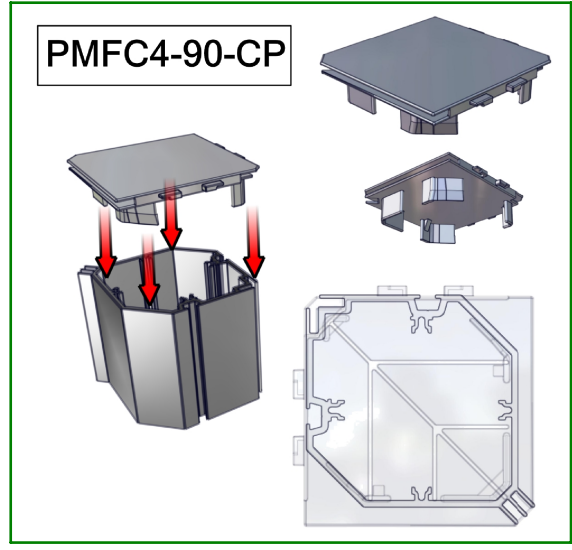
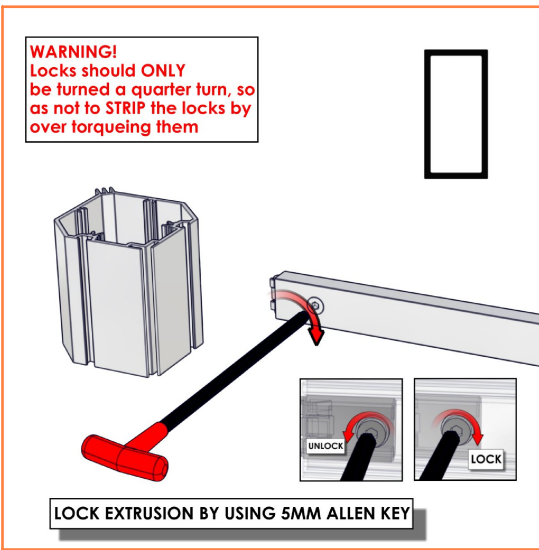
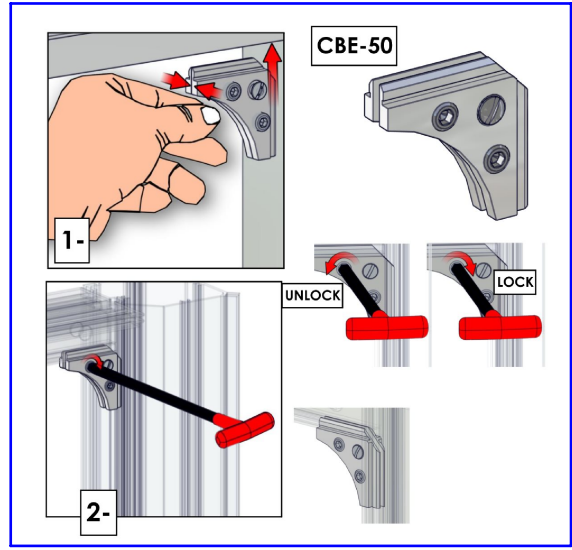
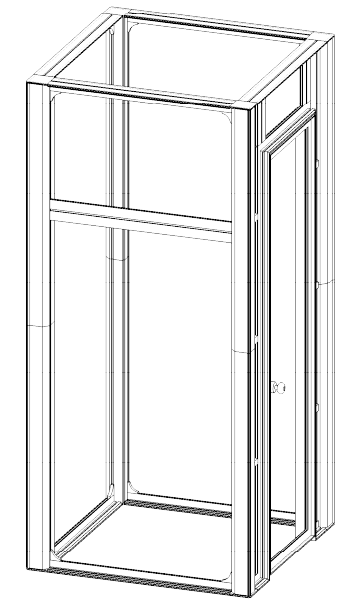
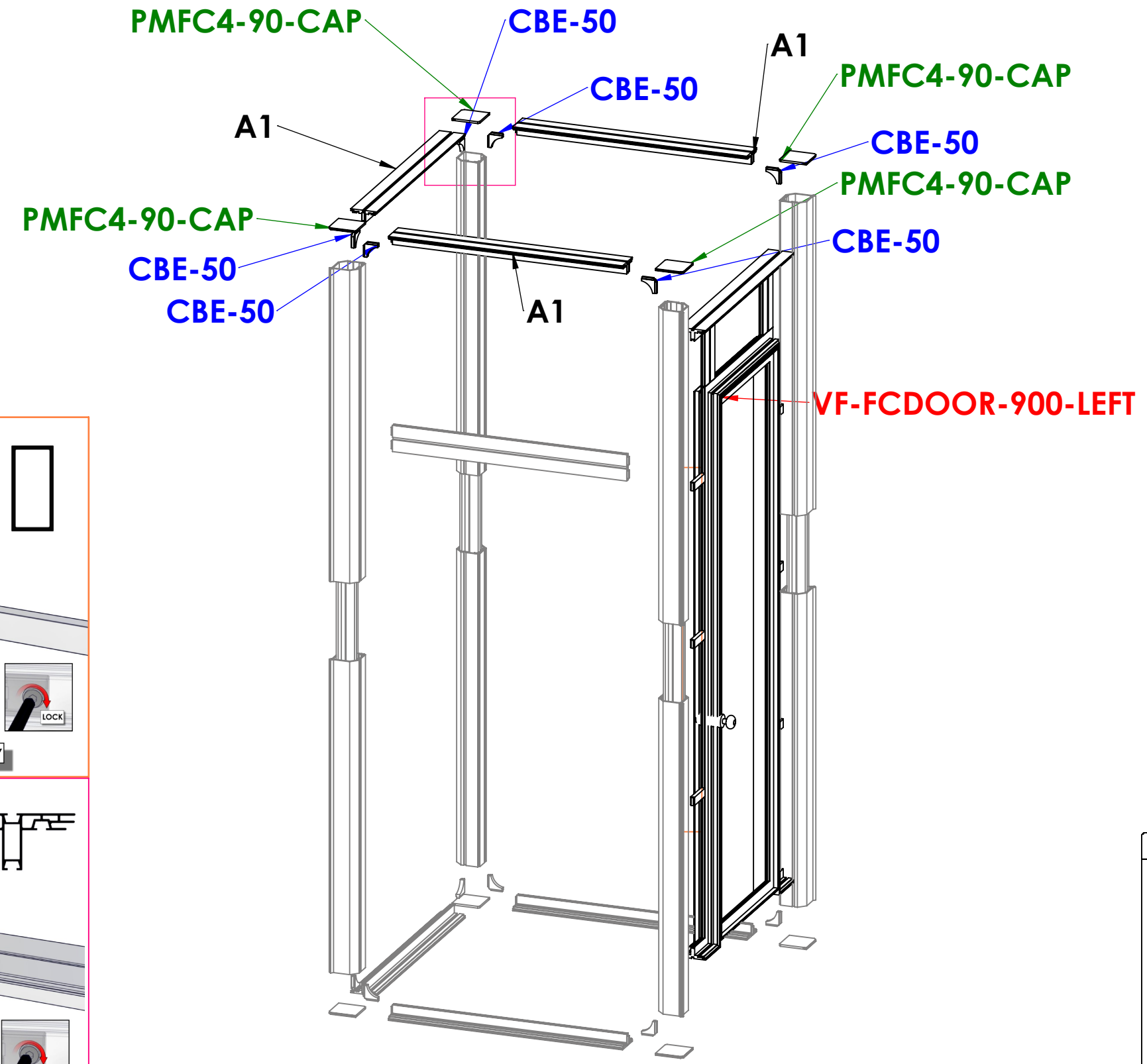


Code	#	Description
PMFC4-90-CAP	4	INJECTION MOLDED PLASTIC END CAP FOR PMFC4-90
A1	3	PHFC4-900 EXTRUSION-WITH CAM LOCKS-WITH CAM LOCKS
CBE-50	6	CORNER PRESSURE FIT CONNECTOR
VF-FCDOOR-900-LEFT	1	VECTOR FRAME FABRIC CHANNEL DOOR, 900MM W X 2400MM H FRAME, LEFT

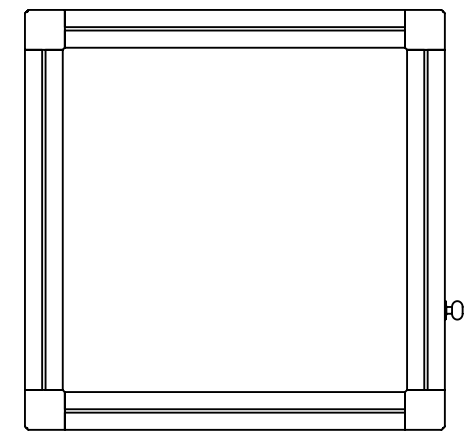
TOP LEVEL STORAGE CLOSET



**VF-FCDOOR-900-LEFT
COMES PRE ASSEMBLED**

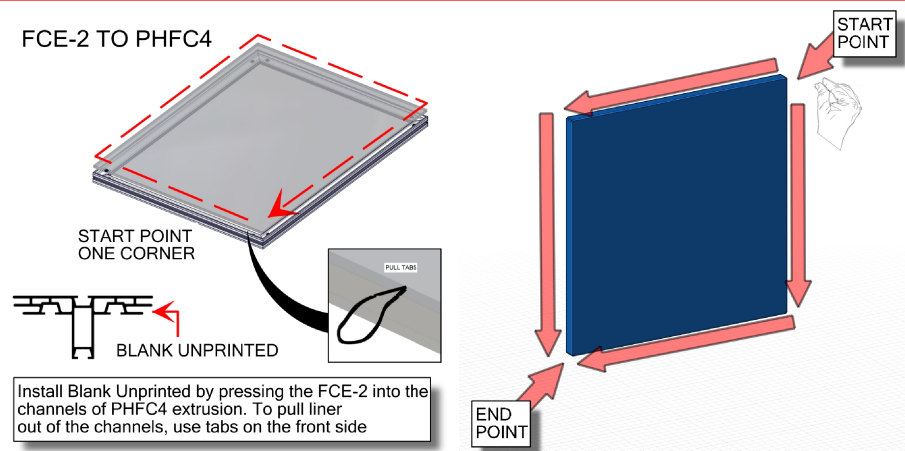
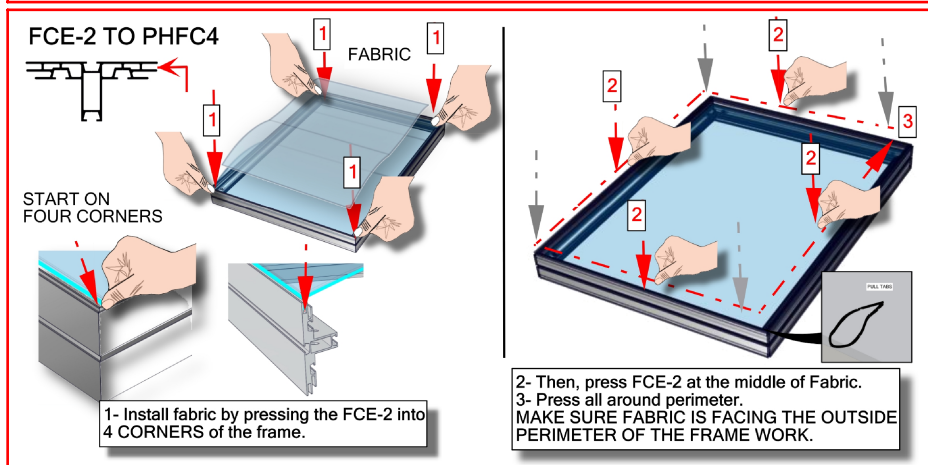
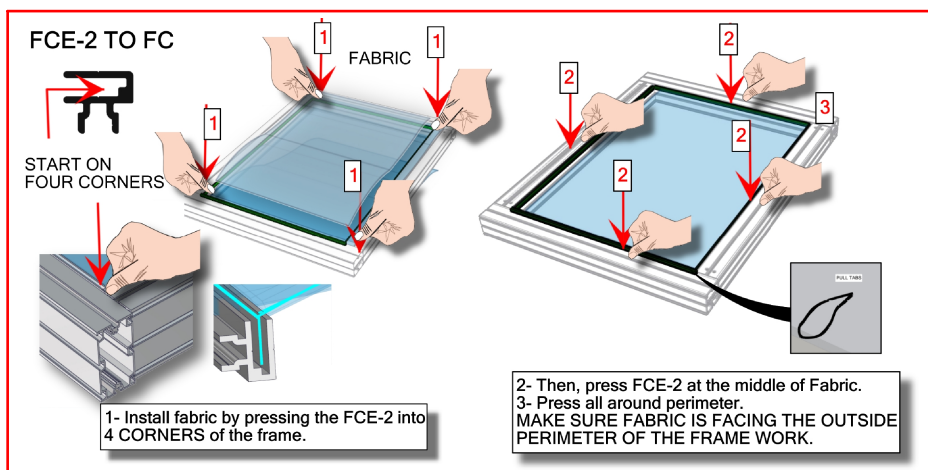


TOP VIEW

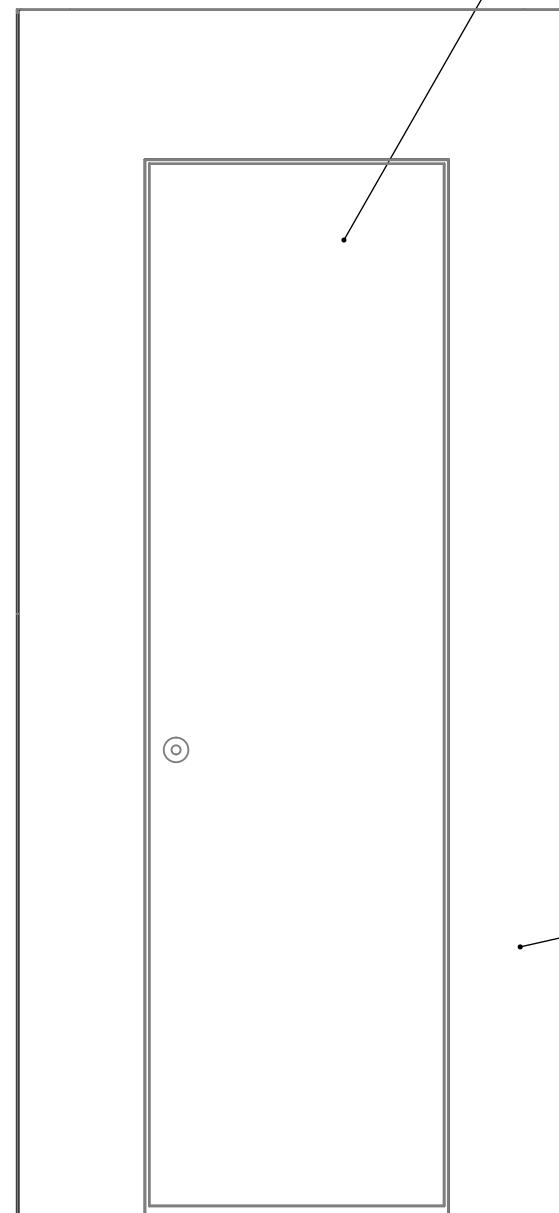


GRAPHICS 1

Code	#	Description
HP-K-24-G-A2	1	GRAPHIC(A2) 43.66 w X 94.37 h finished size Dye-sub print on 8oz. Power Stretch, with FCE-2 silicone beading sewn to back perimeter, corner pull sewn in bottom right corner
HP-K-24-G-A1	1	GRAPHIC(A1) 43.66 w X 94.37 h finished size Dye-sub print on 8oz. Power Stretch, with FCE-2 silicone beading sewn to back perimeter, corner pull sewn in bottom right corner
VF-FCDOOR-L-SD-G-F	1	GRAPHIC(A4) 22.95" (583MM) W X 81.38" (2067MM) H Visual Size Dye Sub Print On Power Stretch, with FCE-2 silicone beading sewn to back perimeter, corner pull sewn in bottom right corner.
HP-K-24-G-A3	1	GRAPHIC(A3) 43.66" X 94.33" Power Stretch, Custom Silicone Edge Graphic, with FCE-2 silicone beading sewn to back perimeter, corner pull sewn in bottom right corner.



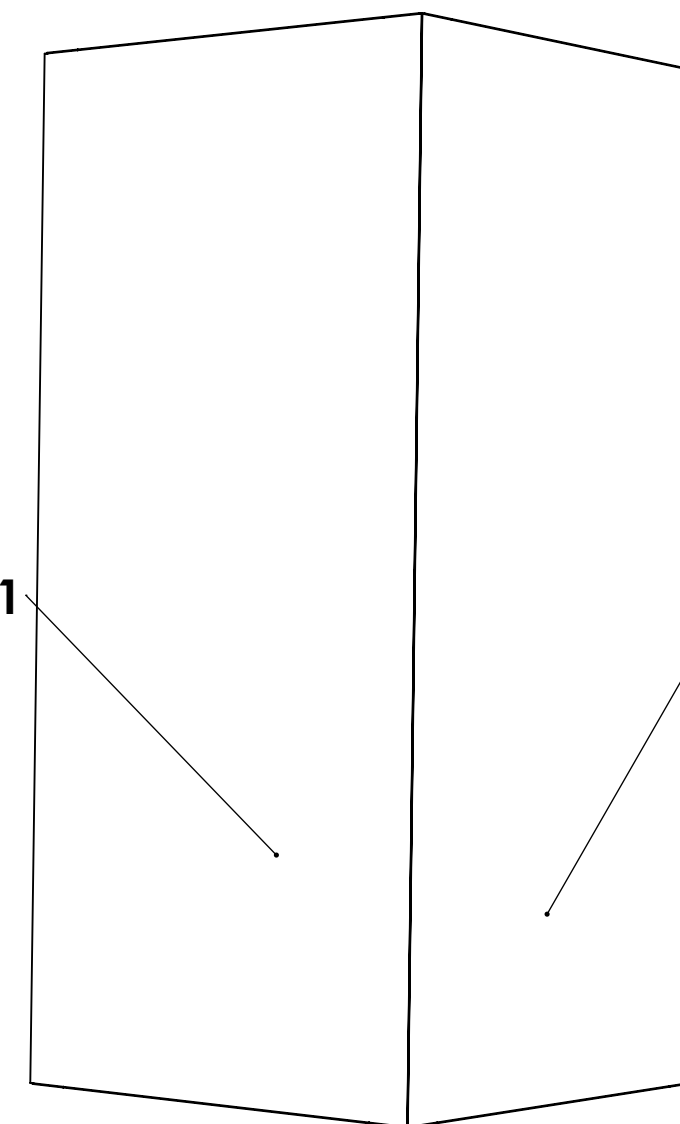
VF-FCDOOR-L-SD-G-F



HP-K-24-G-A1

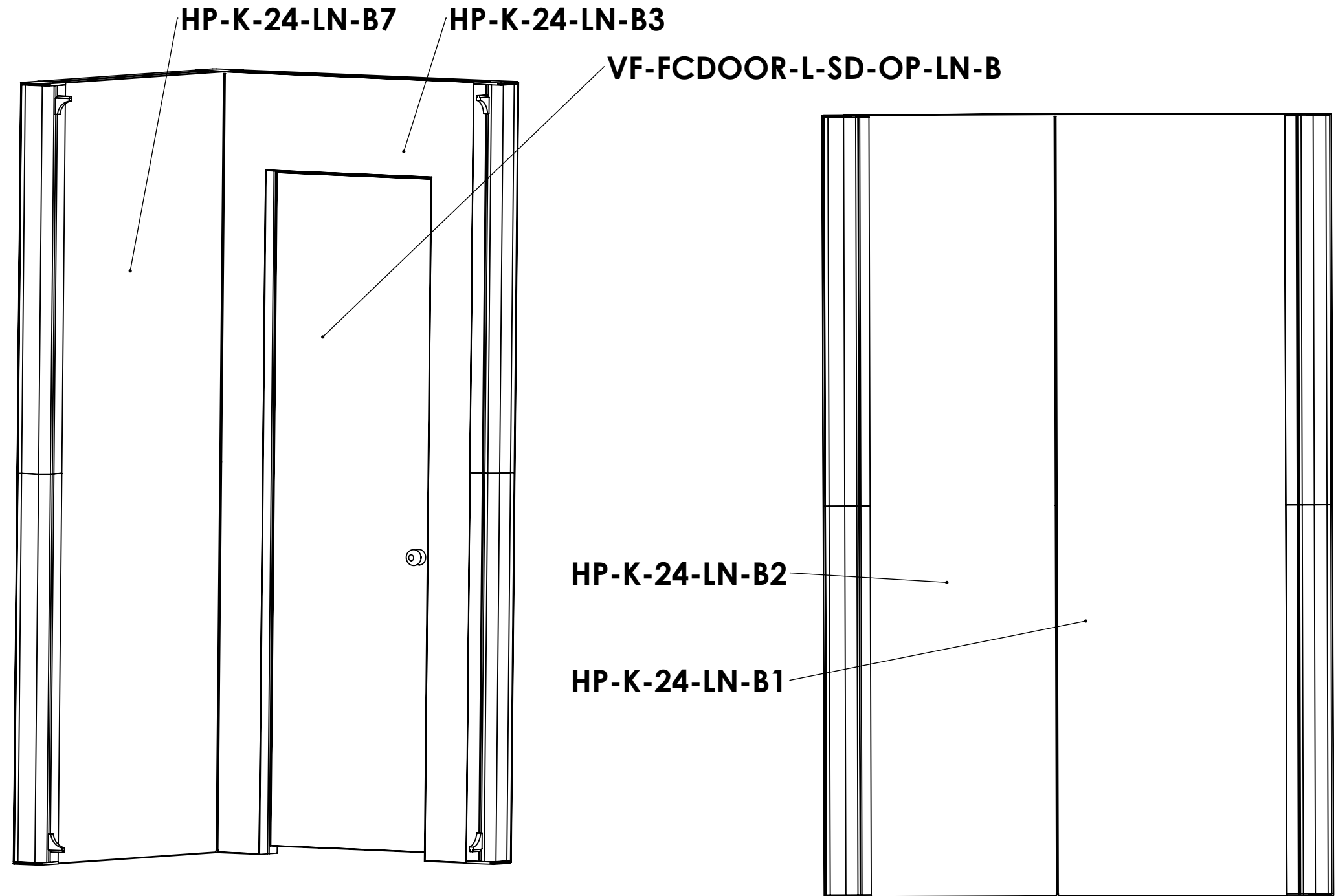
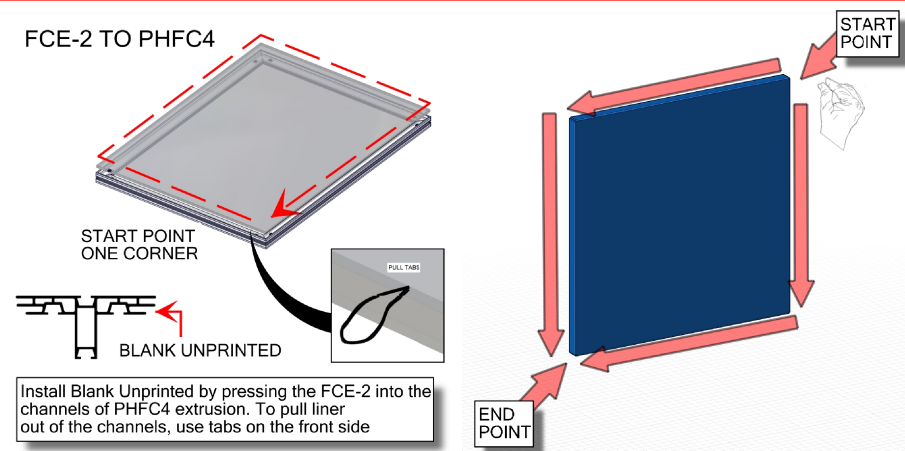
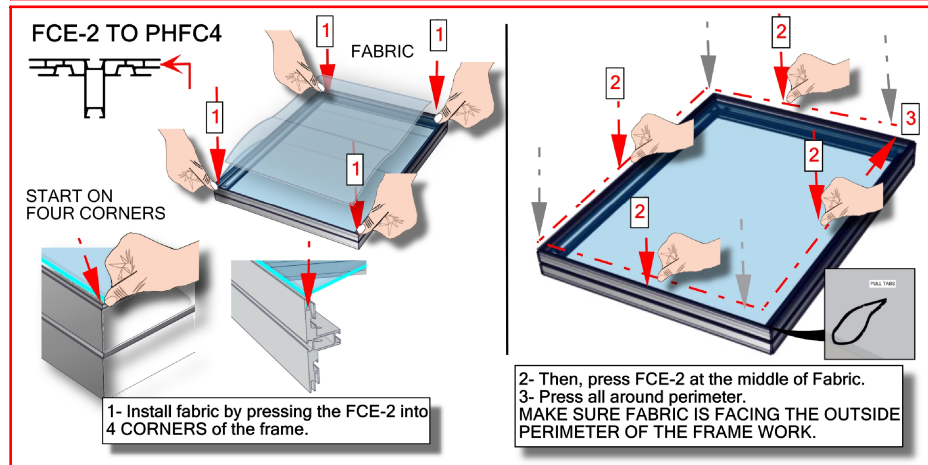
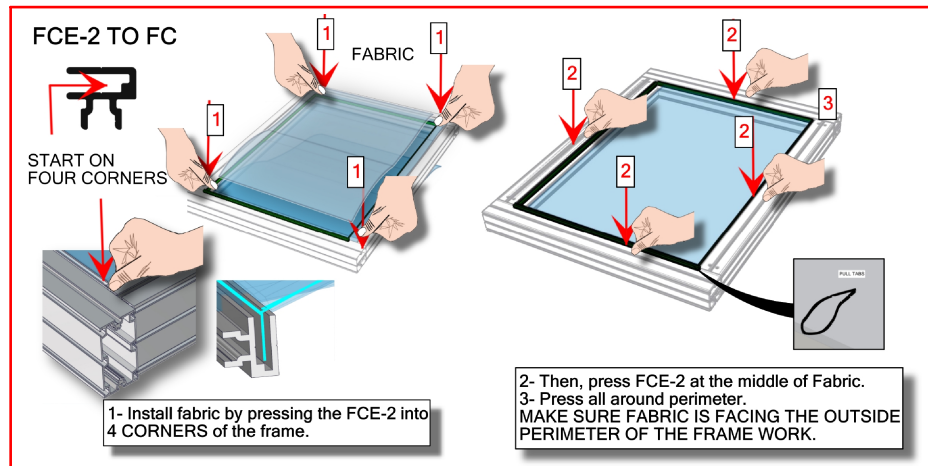
HP-K-24-G-A2

HP-K-24-G-A4



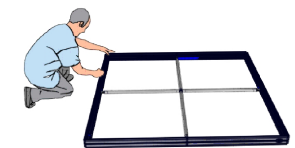
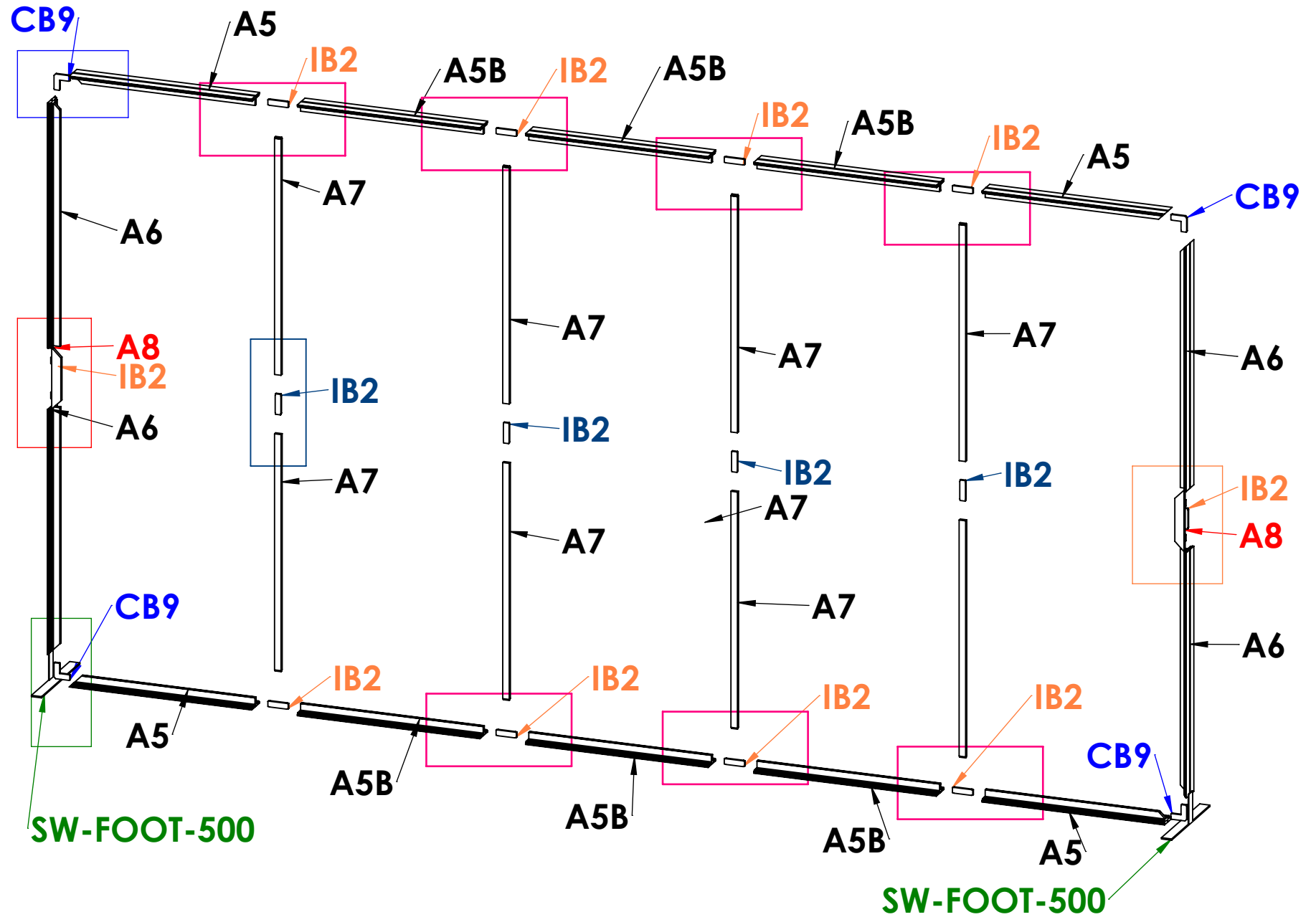
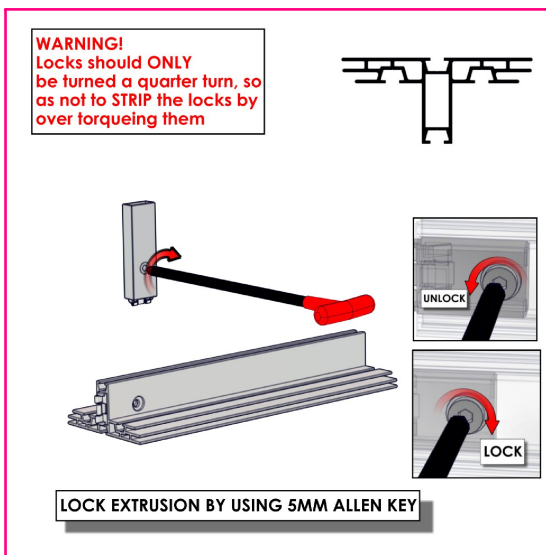
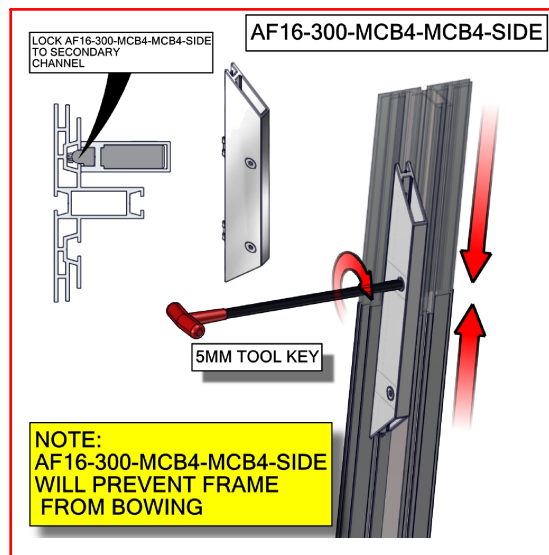
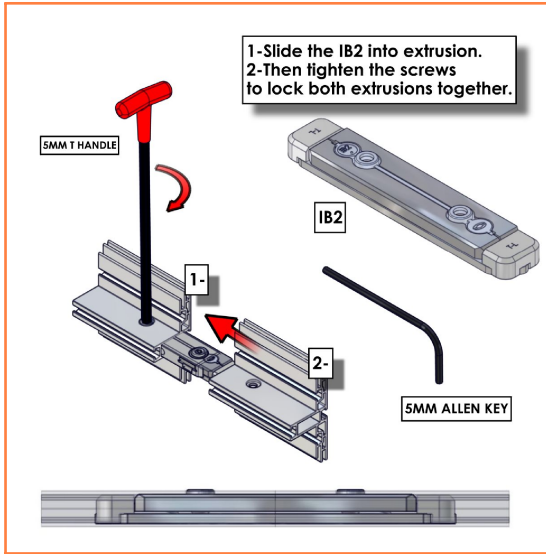
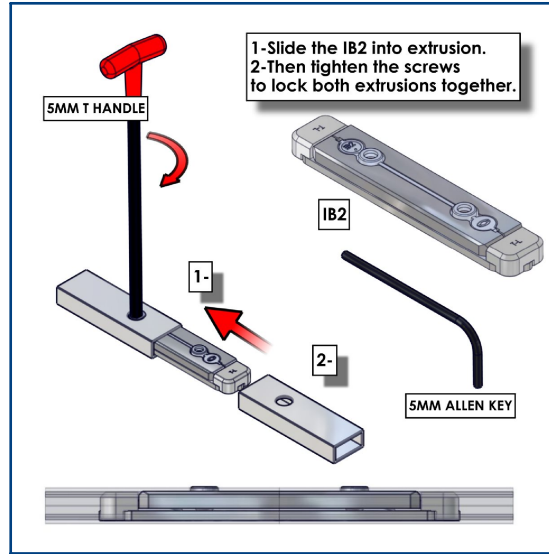
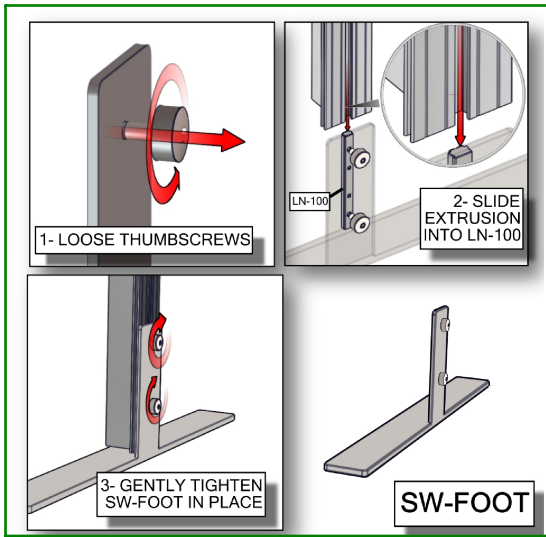
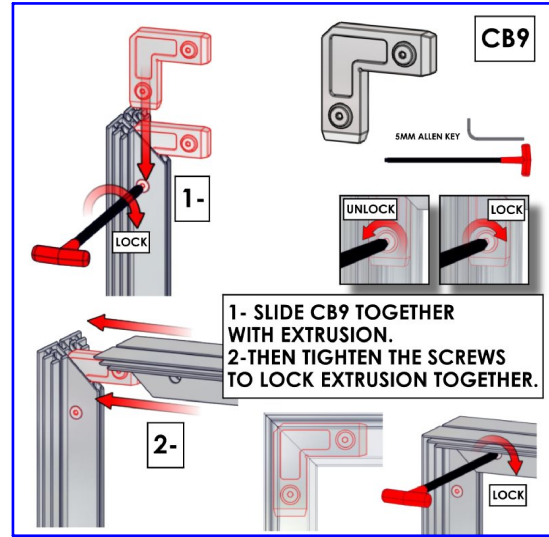
GRAPHICS/LINER

Code	#	Description
HP-K-24-LN-B1	1	LINER(B1) 35.55 w X 94.37 h finished size Opaque liner, with FCE-2 silicone beading sewn to back perimeter, corner pull sewn in bottom right corner
VF-FCDOOR-L-SD-OP-LN-B	1	LINER(B4) 22.95" (583MM) W X 81.38" (2067MM) H Visual Size Opaque Liner, with FCE-2 silicone beading sewn to back perimeter, corner pull sewn in bottom right corner.
HP-K-24-LN-B3	1	LINER(B3) 35.59" X 94.33" Opaque Liner, with FCE-2 silicone beading sewn to back perimeter, corner pull sewn in bottom right corner.
HP-K-24-LN-B2	1	LINER(B2) 35.55 w X 94.37 h finished size Opaque liner, with FCE-2 silicone beading sewn to back perimeter, corner pull sewn in bottom right corner
HP-K-24-LN-B7	1	LINER(B7) 35.55 w X 94.37 h finished size Opaque liner, with FCE-2 silicone beading sewn to back perimeter, corner pull sewn in bottom right corner



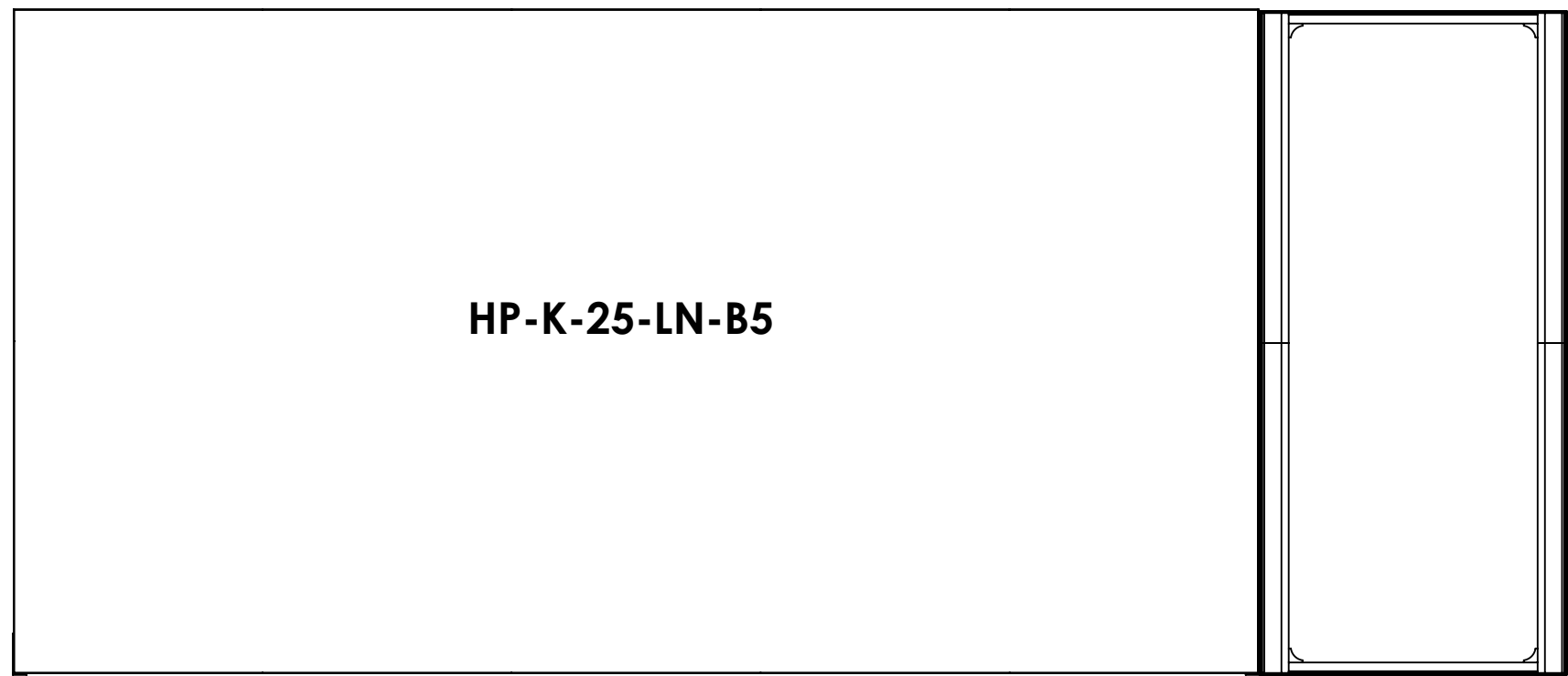
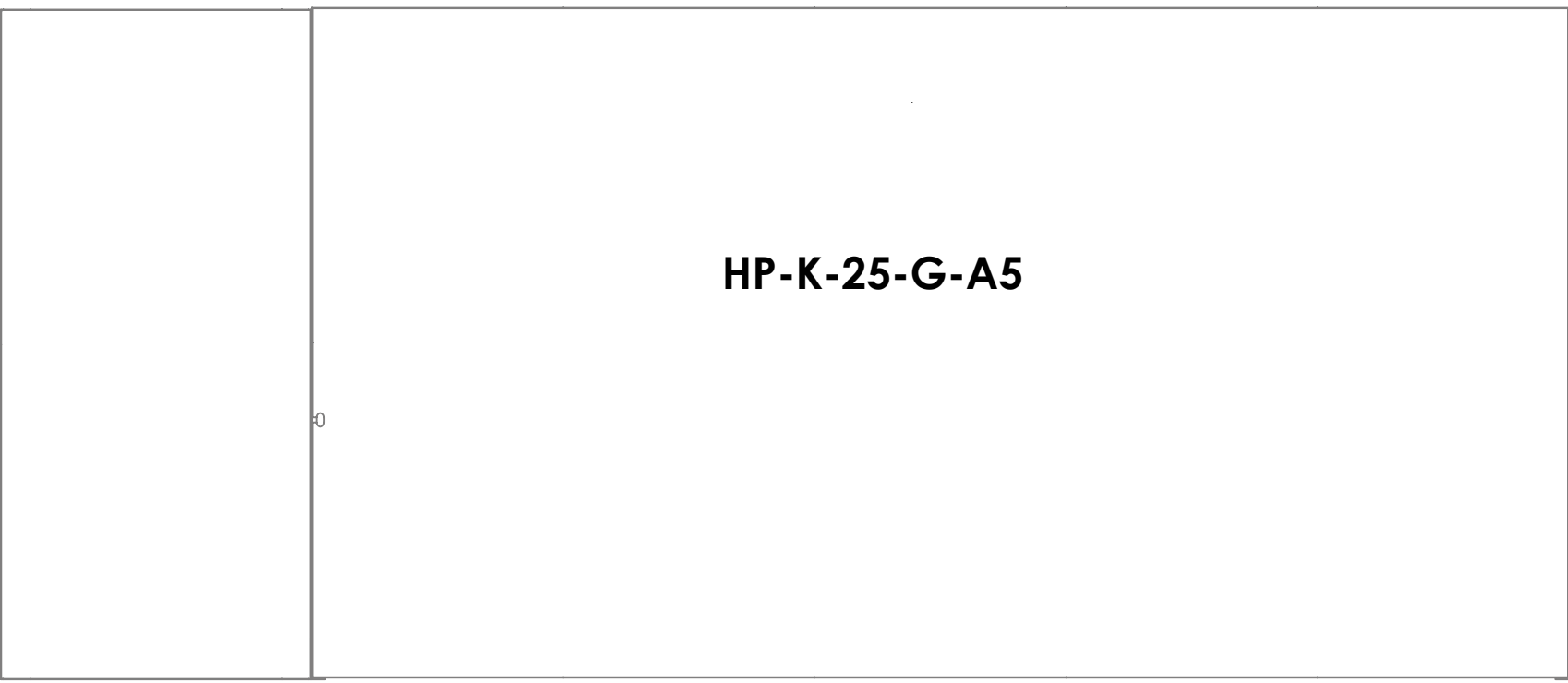
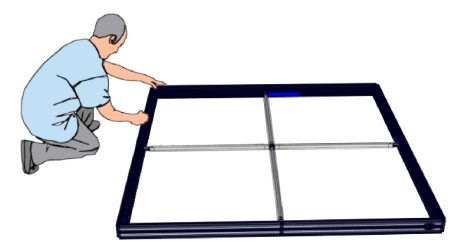
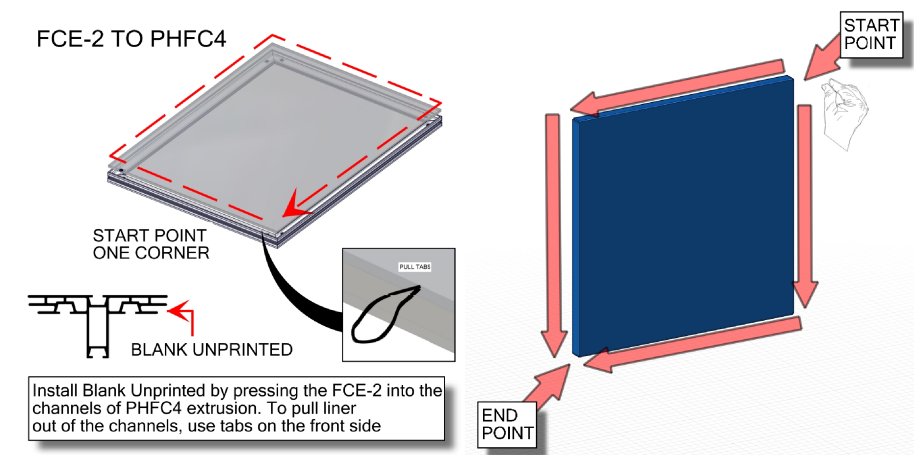
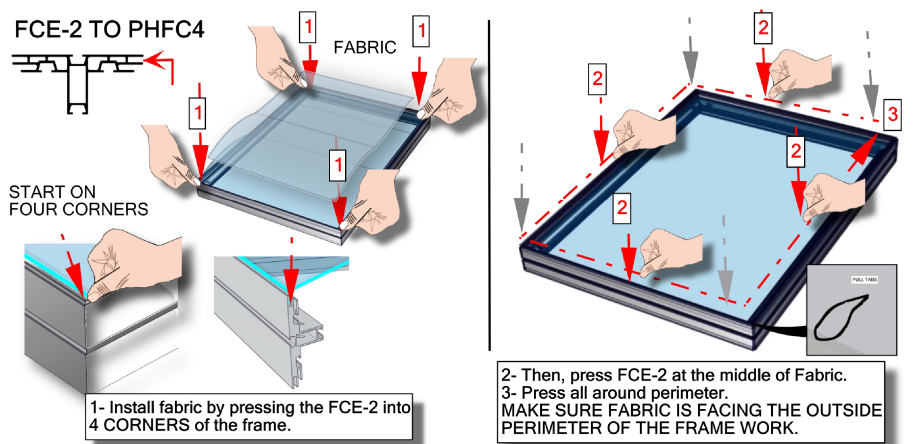
Code	#	Description
IB2	14	JOINER BAR(NEW DESIGN)
A5	4	PHFC4-900 EXTRUSION-WITH IB2 LOCK HOLE-WITH MITRE CUT FOR CB9
CB9	4	90 DEGREE JOINER
A6	4	PHFC4-1200 EXTRUSION-WITH IB2 LOCK HOLE-WITH MITRE CUT FOR CB9
A5B	6	PHFC4-900 EXTRUSION-WITH IB2 LOCK HOLE-WITH IB2 LOCK HOLE
A7	8	1155MM PH1 EXTRUSION-WITH IB2 LOCK HOLE-CAM LOCK
A8	2	300MM AF16 EXTRUSION-WITH SIDE LOCKS
SW-FOOT-500	2	SMART WALL FOOT 500MM LENGTH

VECTOR FRAME BACK WALL



**ASSEMBLE VECTOR FRAME ON THE GROUND
MAKE SURE THE PH1 COLUMNS ARE IN PLACE
BE FOR THE TOP IS ATTACHED LEAVE FRAME
ON GROUND TO ATTACH THE GRAPHICS**

Code	#	Description
CUS-OP-LN	1	LINER(B5) 177.05 w X 94.37 h finished size Opaque liner, with FCE-2 silicone beading sewn to back perimeter, corner pull sewn in bottom right corner
CUS-G-PS-SEG	1	GRAPHIC(A5) 177.05 w X 94.37 h finished size Dye-sub print on 8oz. Power Stretch, with FCE-2 silicone beading sewn to back perimeter, corner pull sewn in bottom right corner



**STAND UP AFTER THE FRONT GRAPHIC IS ON
HAVE AT TWO OR MORE PEOPLE HELP
ATTACH THE LINER AFTER IT IS STANDING**

Freestanding Monitor Kiosk

PM4S3-MK-M
PM4S3-MK-L

PM4S3-MK-M-MSHELF
PM4S3-MK-L-MSHELF

PM4S3-MK-SHELF-UNIT

The Freestanding Monitor Kiosk is a superior multimedia display that can be used for multiple applications, as well as in trade show exhibits and for events. Kiosks include monitor mounts to support a medium or large size TV, and a corresponding medium or large shelf may be added. Monitor mounts support TV's up to 40 lbs and 32" - 65" in size, and can be adjusted to the perfect height; an included shelf can hold up to 15 lbs. The Shelf Unit is a great addition that proudly displays small products. Install the Freestanding line behind a fabric backwall for a truly impressive display.



Freestanding Monitor Kiosk

Freestanding Monitor Kiosk with Shelf

Freestanding Shelf Unit

features and benefits:

- Premium aluminum extrusion frames with cam lock and tension glide assembly
- Easy to store and ship
- Quick to set up
- Weighted feet for added stability
- Kits may include: a medium or large monitor mount, shelf, or combination
- Choice of medium or large shelf for display opportunities (Freestanding Monitor Kiosk with Shelf or Freestanding Shelf)
- Lifetime limited hardware warranty against manufacturer defects

dimensions:

Hardware

Assembled unit (no shelf):
25.59" w x 70.98" h x 25.59" d
650mm(w) x 1803mm(h) x 650mm(d)

Assembled unit (with shelf):
29.53" w x 70.98" h x 25.59" d
751mm(w) x 1803mm(h) x 650mm(d)

Approximate weight:
(excludes cases & monitor mount)

40 lbs / 19 kgs

Add 10 lbs / 5 kgs for each shelf

Shipping

Packing case(s):
1 OCE Case

Shipping dimensions:
OCE: Expandable case length (l) may vary
40" - 66" l x 18" h x 18" d
1016mm-1677mm(l) x 458mm(h) x 458mm(d)

Approximate total shipping weight:
Monitor Kiosk:
(Case & monitor mount)
Medium
83 lbs / 38 kgs
Large
85 lbs / 39 kgs

additional information:

-Medium monitor mount can hold 32-55" monitor/ max weight 40lbs

-Large monitor mount can hold 40"-65" monitor/ max weight 40lbs

-Monitor not included

-Shelf can hold suggested max weight: 15 lbs

-If shipping with backwall kit cases may vary

Monitor Kiosk with Shelf:
(Case, monitor mount, & shelf)

Medium
93 lbs / 43 kgs
Large
95 lbs / 44 kgs

Shelf Unit:
(Case & shelves)
116 lbs / 53 kgs

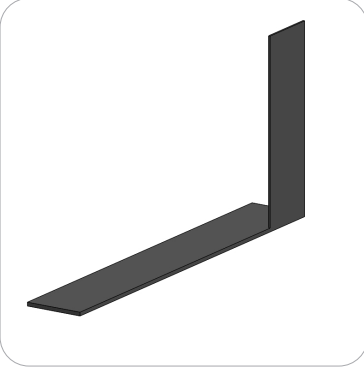
We are continually improving and modifying our product range and reserve the right to vary the specifications without prior notice. All dimensions and weights quoted are approximate and we accept no responsibility for variance. E&OE. See Graphic Templates for graphic bleed specifications.

Included In Your Freestanding Monitor Kiosk

Tools, Components, Connectors & Extrusions



5MM ALLEN-T x1



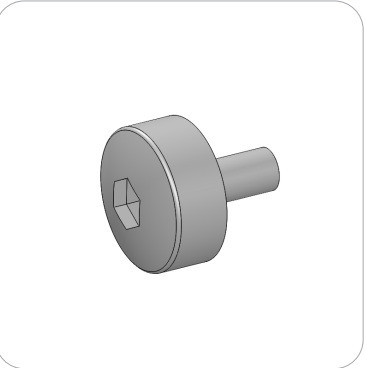
PM4S3-MM-FOOT-L x1



PM4S3-MM-FOOT-R x1



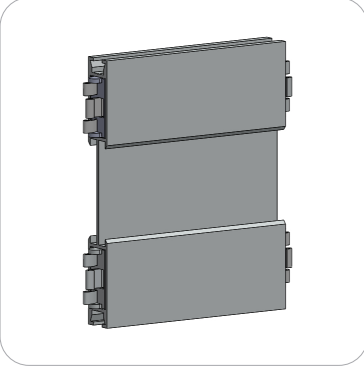
LN100 x6



M5 THUMBSCREW x8



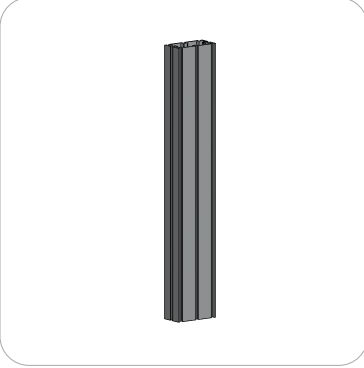
PH2-350-L-L x3



PH5-100-L-L x2



PM4S4-150 x2



PM4S3-600-A165-A165 x2



PM4S3-1200-A165-A165 x2



PH2-300-TG x2



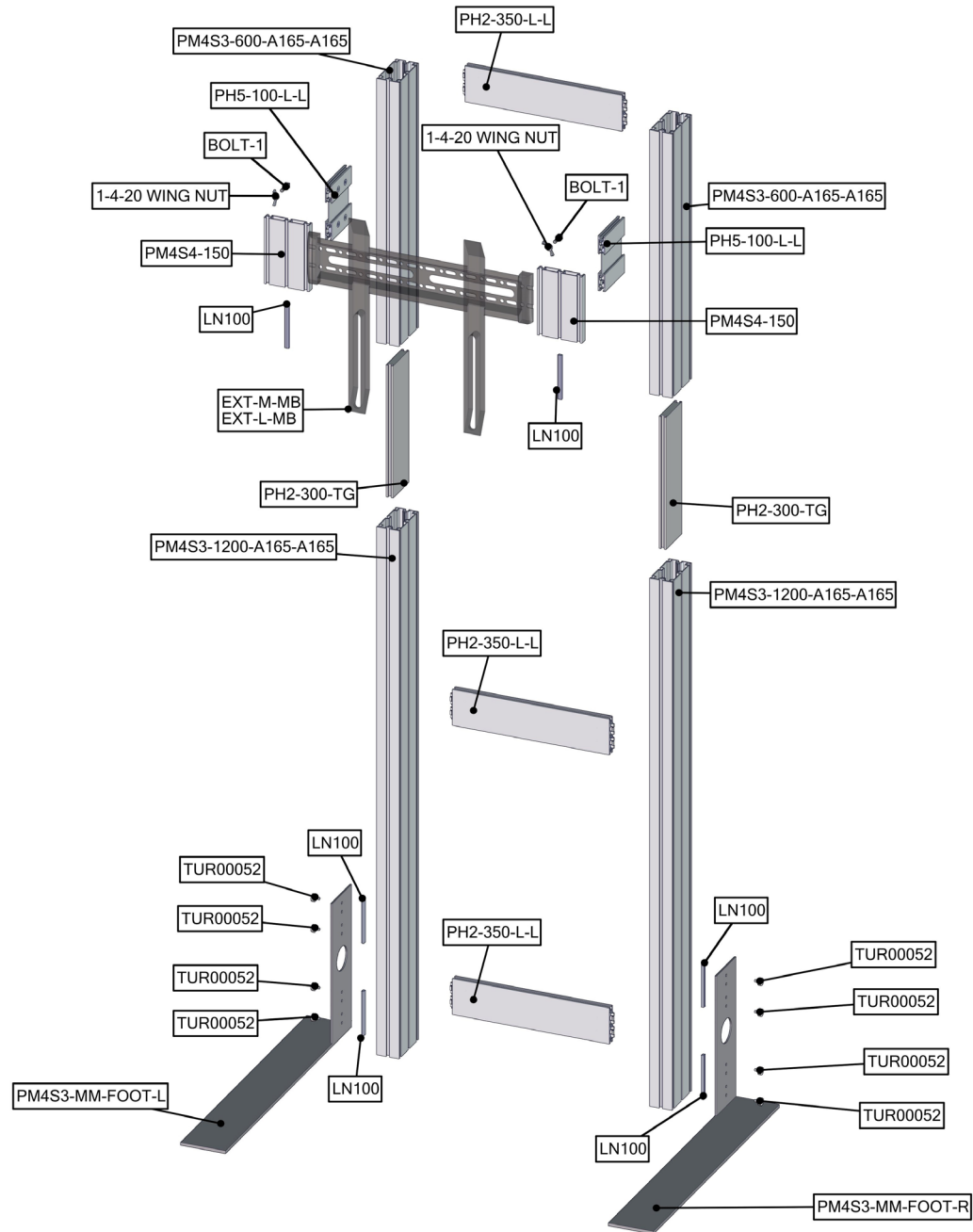
EXT-M-MB (or) EXT-LG-MB x1
Fastening Hardware Included



Exploded View

PM4S3-MK-M PM4S3-MK-L

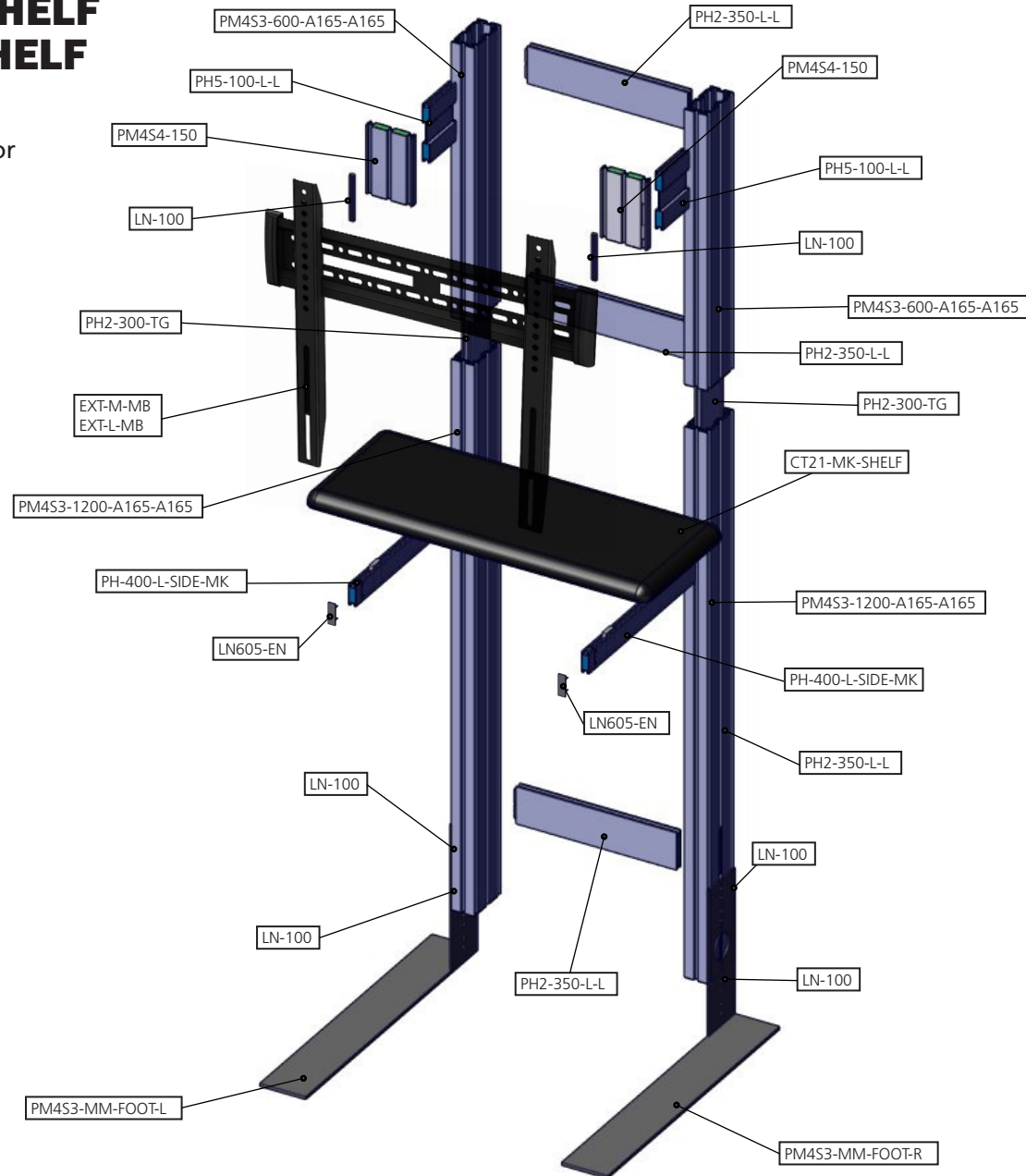
Please note:
This is the kiosk frame build for
either medium or large kit.



Exploded View

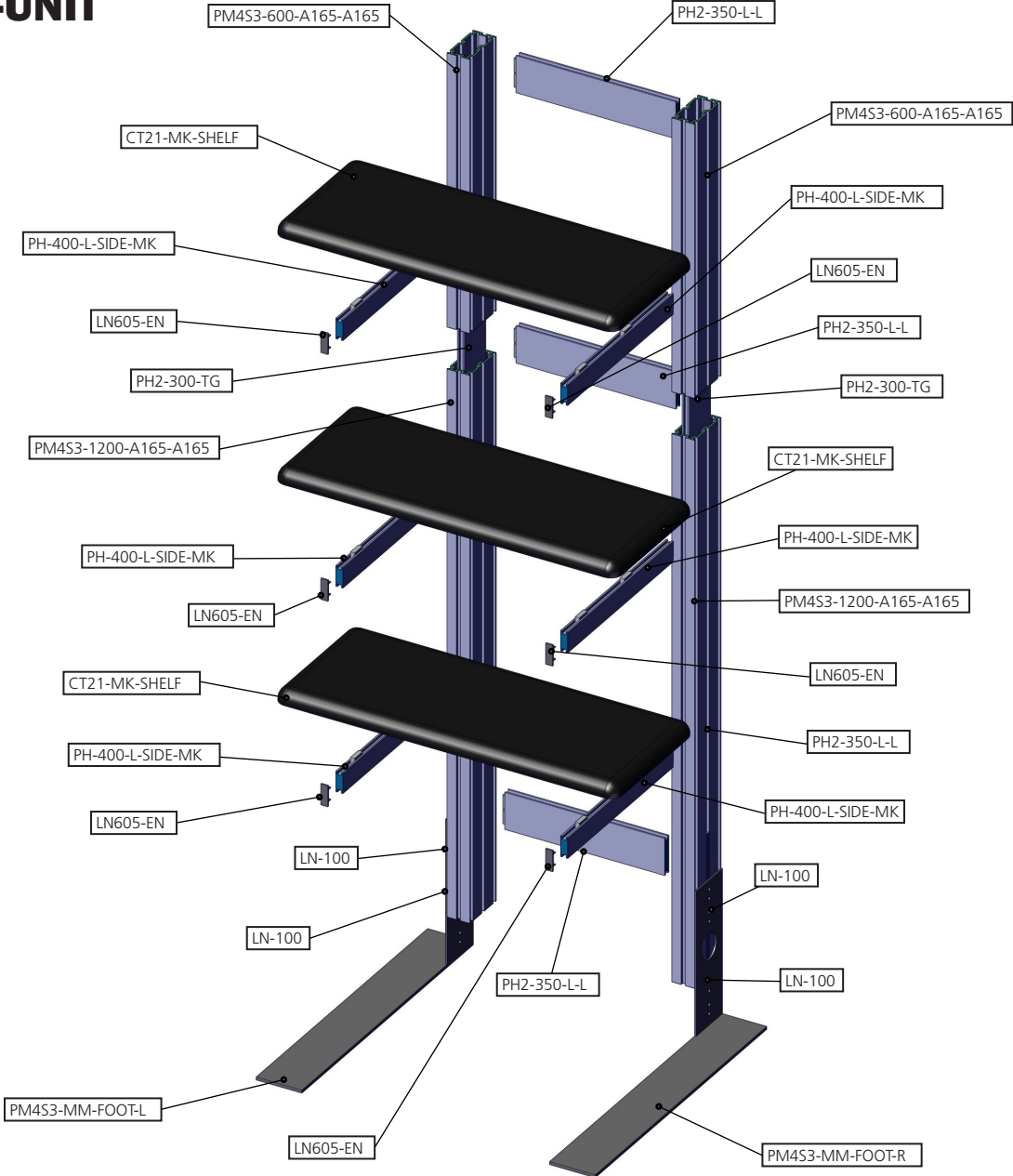
PM4S3-MK-M-MSHELF PM4S3-MK-L-MSHELF

Please note:
This is the kiosk frame build for
either medium or large kit.



Exploded View

PM4S3-MK-SHELF-UNIT

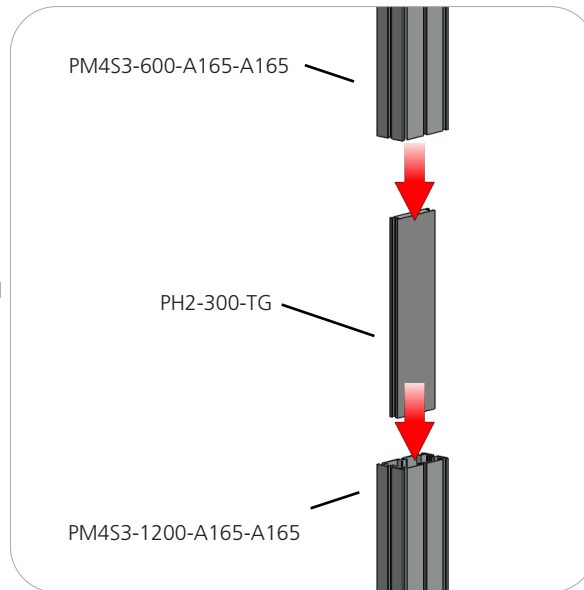


Kit Assembly

Step by Step

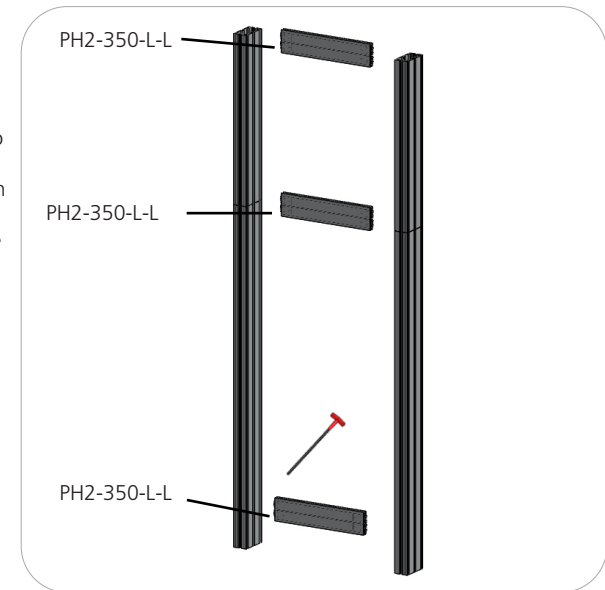
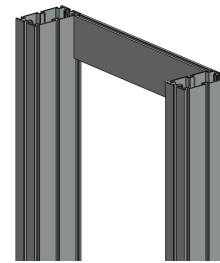
Step 1.

Reference the image to the right. Locate the coded extrusions. Slide the PH2-300-TG connector into one end of the PM4S3-1200-A165-A165 so that it goes as deep as the internal pins. Connect the PM4S3-600-A165-A165 by sliding it over the PH2-300-TG. Repeat for this step for the second vertical.



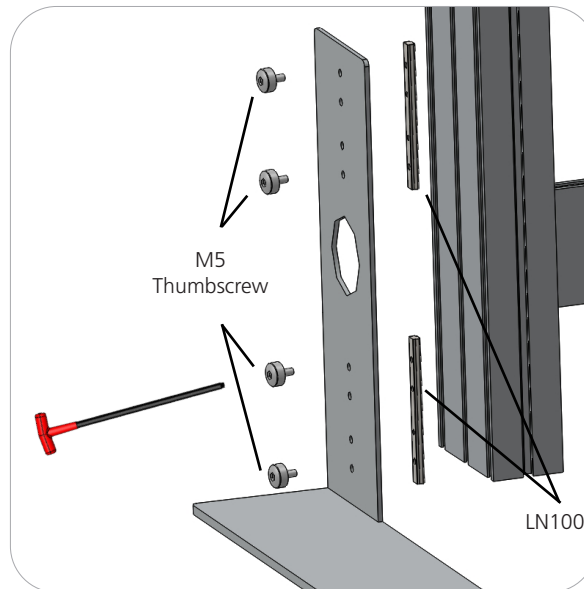
Step 2.

Collect your extrusions and handtool. Using the provided handtool, lock the extrusions into the back channel of the three channel PM4S3 faces as shown in the image below. Be sure the locks face toward the back of the assembly and do not over tighten.



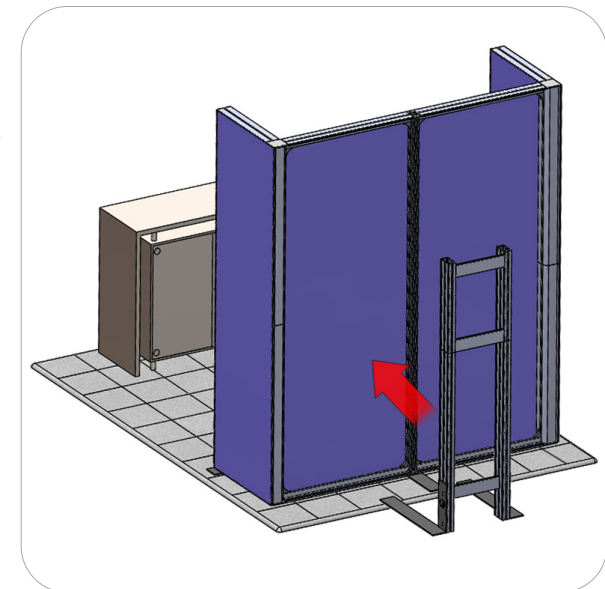
Step 3.

Locate the M5 thumbscrews, LN100s, and the PM4S3-MM stabilizing bases. Slide the LN100s into the middle channel of the PM4S3. Hand screw the M5 thumbscrews through the base holes and into the LN100 holes. Use the handtool to securely fasten the M5 Thumbscrews. Do not over tighten.



STOP

Orbus recommends that you move your kiosk(s) in place before continuing on with the rest of assembly.



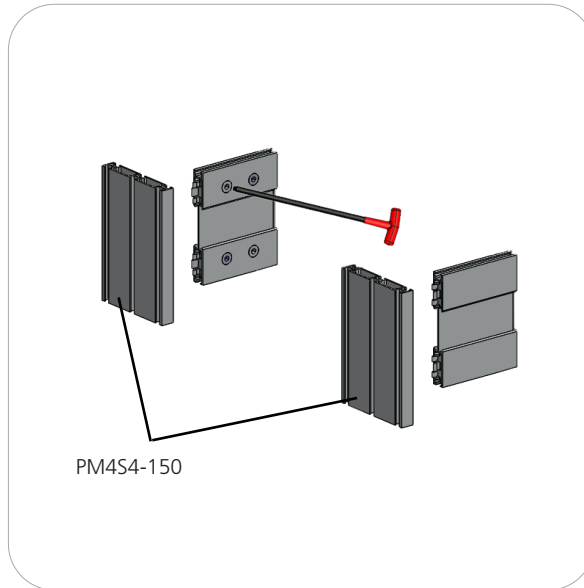
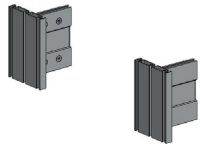
Kit Assembly

Step by Step - Monitor Mount

Step 4.

This step is for kiosks with monitor mounts. Skip to step 7 for shelf kiosks.

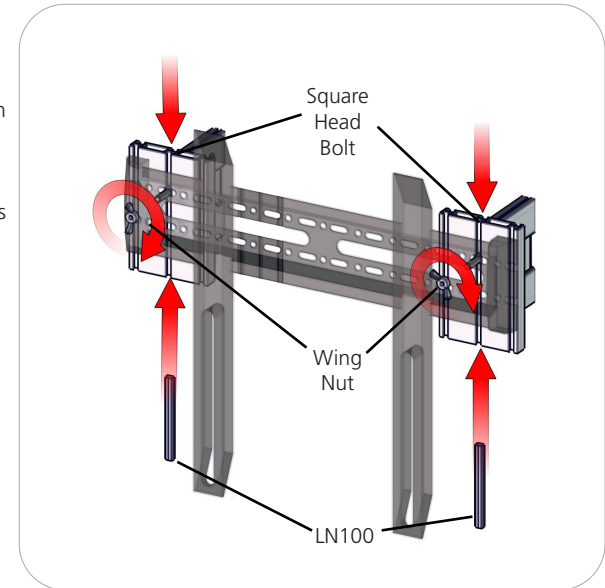
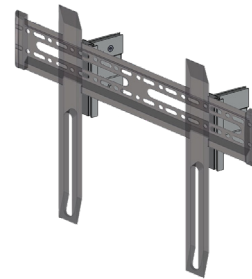
Measure from the ground to the center of the hole in your main kit's graphic. Lock the center of your PH5-100-L-L into the PM4S3 stacks at the dimension height of the graphic hole. Do not over tighten.



Step 5.

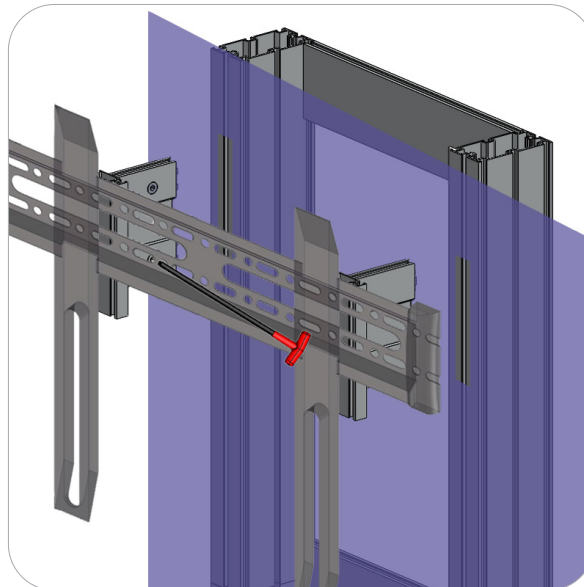
NOTE: Your main backwall assembly must be completed with graphics before completing this step of the monitor kit.

Lock your PM4S4-150 to the ends of the PH5-100-L-L. Do not over tighten.



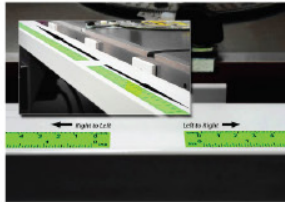
Step 6.

Set your monitor stand so that the extrusion arms fit through the graphic hole. Use the provided fastening hardware to complete your monitor stand. Slide the LN100 into the bottom center channel of the PM4S4-150. Next, slide the Square Head Bolt into the top center channel of the PM4S4-150. Apply the monitor bracket and spacer washer before fastening with the wingnut. Monitor mount may vary depending on size. Monitor not included.



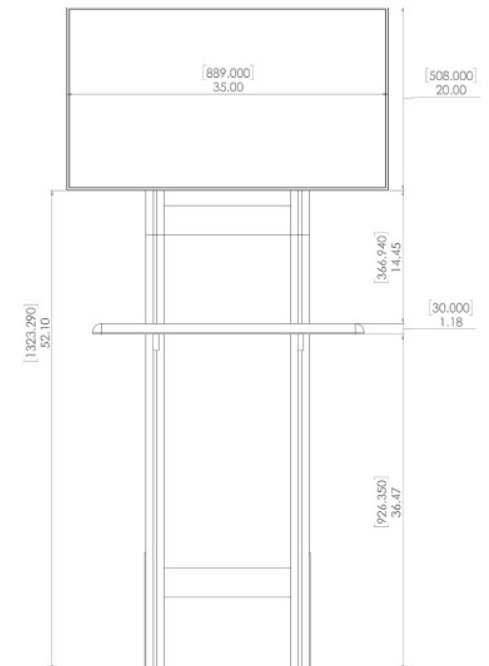
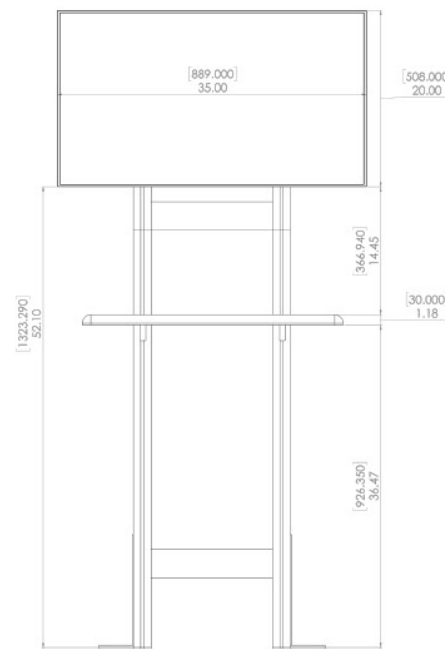
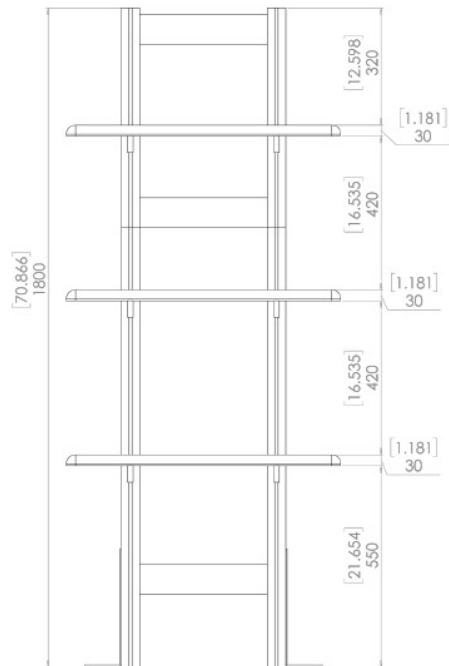
Location of vinyl adhesive tape
Tape color-**CLEAR**

Indicator shown in green to show detail



TORQUATA
Self-Adhesive Measuring
Tape

Note: tape comes preattached to extrusion,
0" starts from the bottom (at the floor)



Code	#	Description
EXT-M-MB	1	EXTRUSION MOUNTED MEDIUM MONITOR BRACKET AND MOUNTING HARDWARE
MM-M-T	3	MEDIUM SIZE LCD MONITOR MOUNT, 32"-55" SIZE, 80 LB. MAX.

MONITOR MOUNTS

MEDIUM MONITOR MOUNT

1/4-20 SQUARE HEAD BOLT
FENDER WASHER
1/4-20 WING NUT

1- INSERT BOLTS INTO PROPER CHANNEL. THEN SECURE MONITOR MOUNT WITH WASHER & WING NUT.

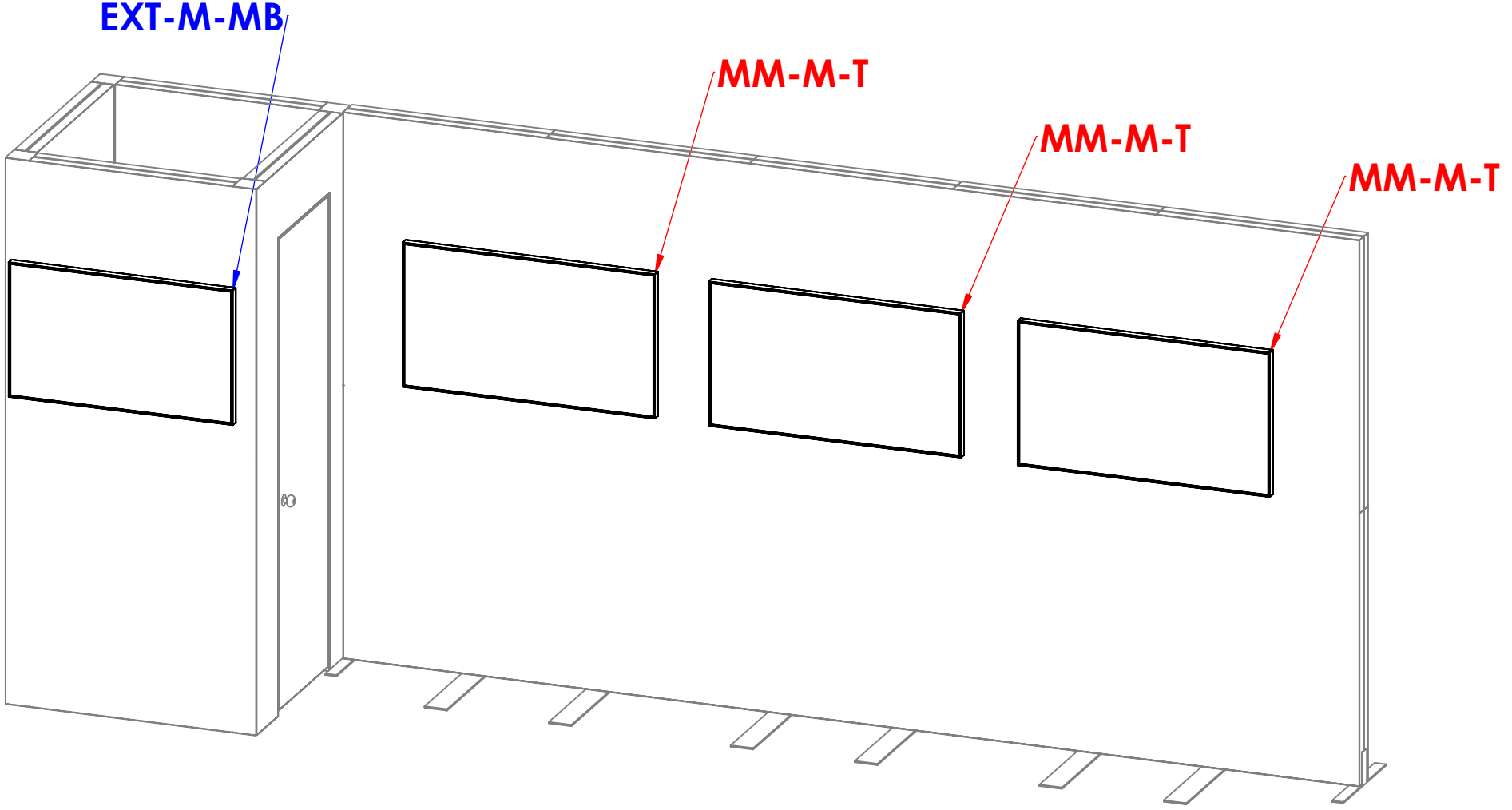
2- ATTACH MONITOR TO BRACKETS SEE NB MANUAL FOR MORE INFO

MEDIUM MONITOR MOUNT

CARRIAGE BOLT
FENDER WASHER
WING NUT

1- INSERT BOLTS INTO PROPER CHANNEL. THEN SECURE MONITOR MOUNT WITH WASHER & WING NUT.

2- ATTACH MONITOR TO BRACKETS SEE NB MANUAL FOR MORE INFO



ATTACH THE MONITOR TO THE CLOSET USING THE BOLT FROM THE 2ND STEP

Vector Frame Counter 04

VFC-04

Vector Frame™ counters compliment the Vector Frame series of exhibit kits, but are also ideal for any stand-alone event or display. Vector Frame counters couple simple extrusion-based frames with push-fit graphics or rigid sintra graphics. Countertops are available in four colored finishes. Custom sizes also available.




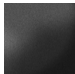


We are continually improving and modifying our product range and reserve the right to vary the specifications without prior notice. All dimensions and weights quoted are approximate and we accept no responsibility for variance. E&OE. See Graphic Templates for graphic bleed specifications.

7/26/2017

features and benefits:

- Feature push-fit fabric graphics and simple extrusion based frames
- Choose from four countertop finishes
- Easy step-by-step instructions
- Wheeled portable shipping case
- Lifetime limited warranty against manufacturer defects

dimensions:

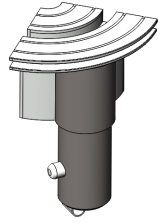
Hardware	Graphic
<p>Assembled unit: 31" w x 40.5" h x 19" d 1400mm(w) x 1029mm(h) x 572mm(d)</p> <p>Approximate unit weight: 52 lbs / 24 kgs</p>	<p>Refer to related graphic template for more information</p> <p>Visit: www.exhibitors-handbook.com/graphic-templates</p>
Shipping	
<p>Packing case(s) 1 OCH2</p> <p>Shipping dimensions: 52" l x 29" h x 15" d 1321mm(l) x 737mm(h) x 381mm(d)</p> <p>Approximate shipping weight: 82 lbs / 37 kgs</p>	
additional information:	
<p>Graphic material: Dye-sublimated fabric</p> <p>Counter holds max weight 100 lbs / 46 kgs</p>	
<p>Tabletop Colors:</p> <div style="display: flex; justify-content: space-around; align-items: center;"> <div style="text-align: center;">  silver </div> <div style="text-align: center;">  black </div> <div style="text-align: center;">  mahogany </div> <div style="text-align: center;">  natural </div> </div>	

Included In Your Kit

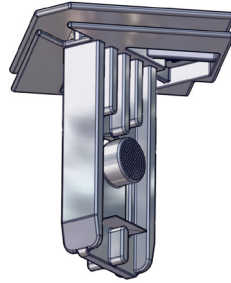
Tools, Components, & Connectors



5MM ALLEN-T x1



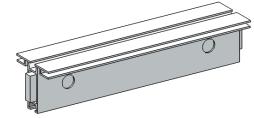
CB10-R x8



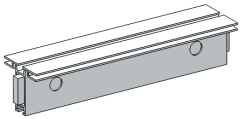
PMFC2-90-CAP x4



PMFC2-90-986-L1-L1 x2



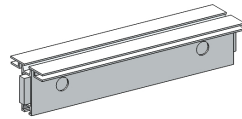
PHFC2-600-L-L x2



PHFC2-300-L-L x4



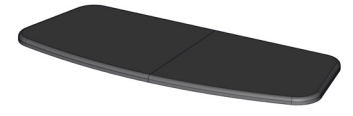
TUBE-30-910 x4



PHFC2-100-L-L x4



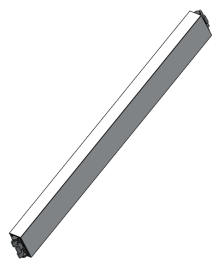
VFC-04-CT-S x1



VFC-04-CT x1

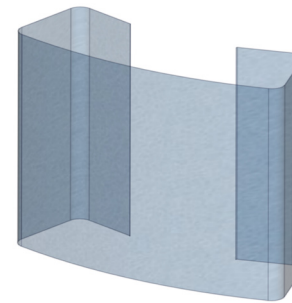


PE-1000 x2



PH1-288-L-L x4

Graphics



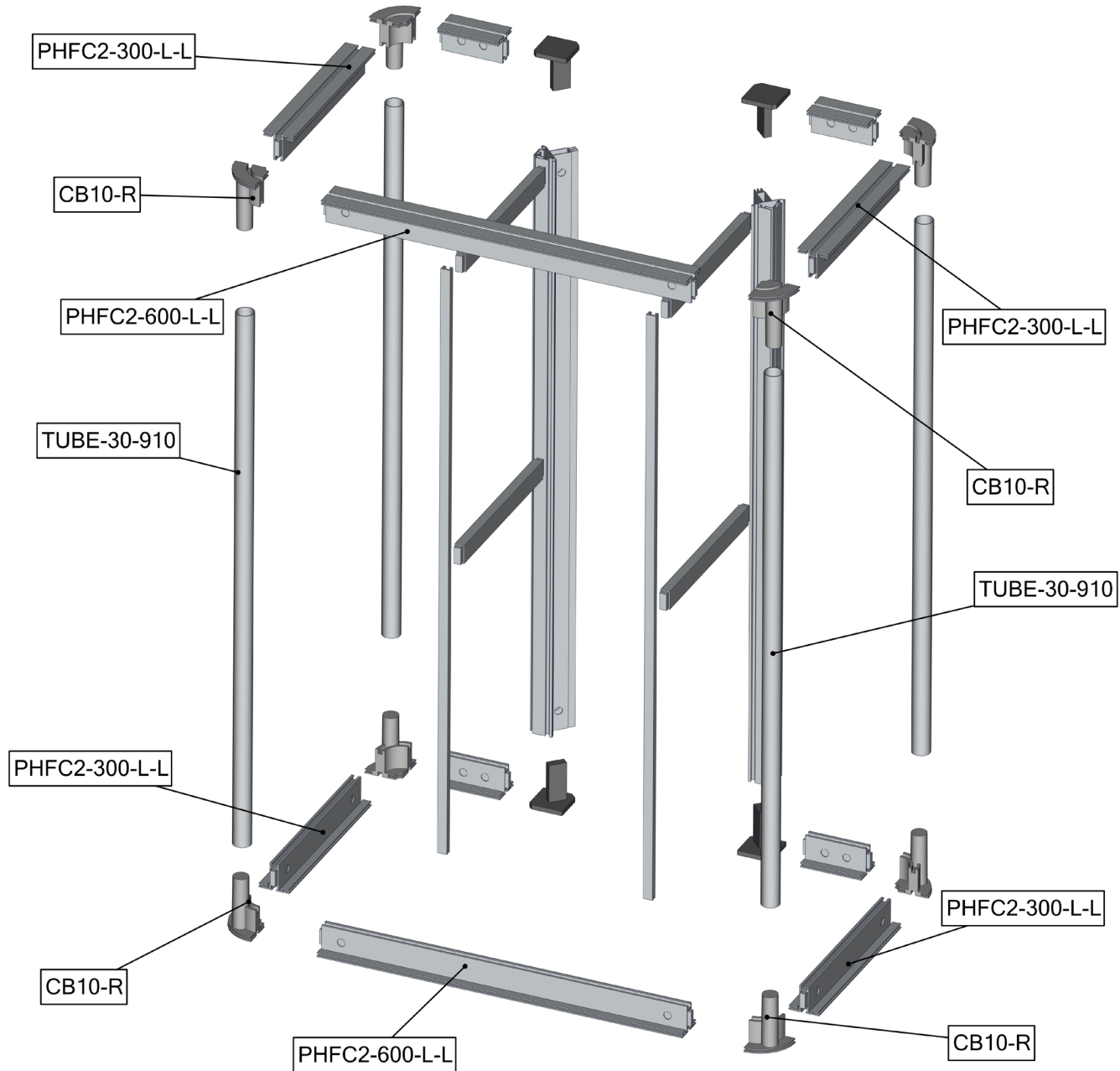
VFC-04-A-G x1



VFC-04-B-G x1

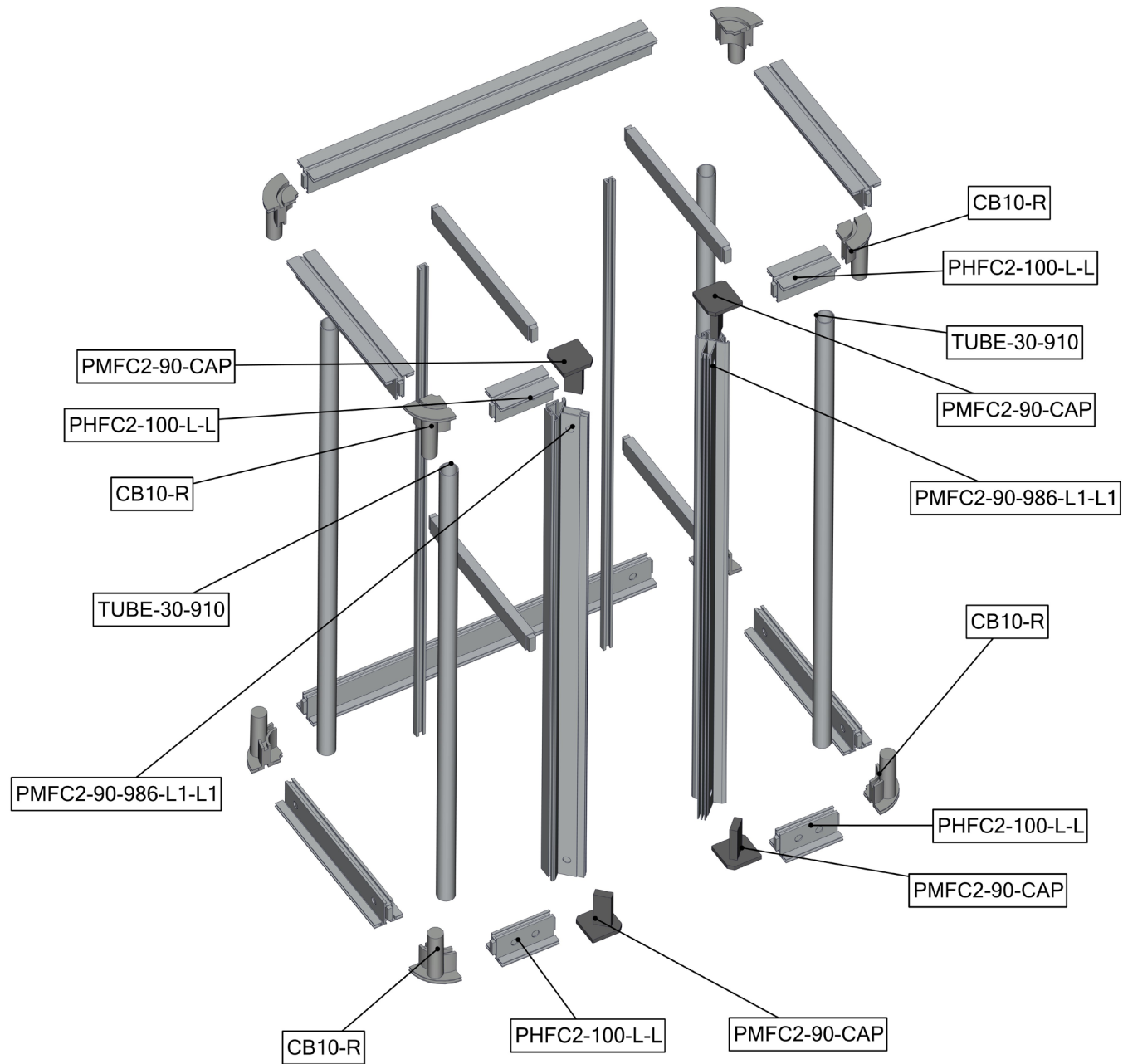
Exploded View

VFC-04
Section 1



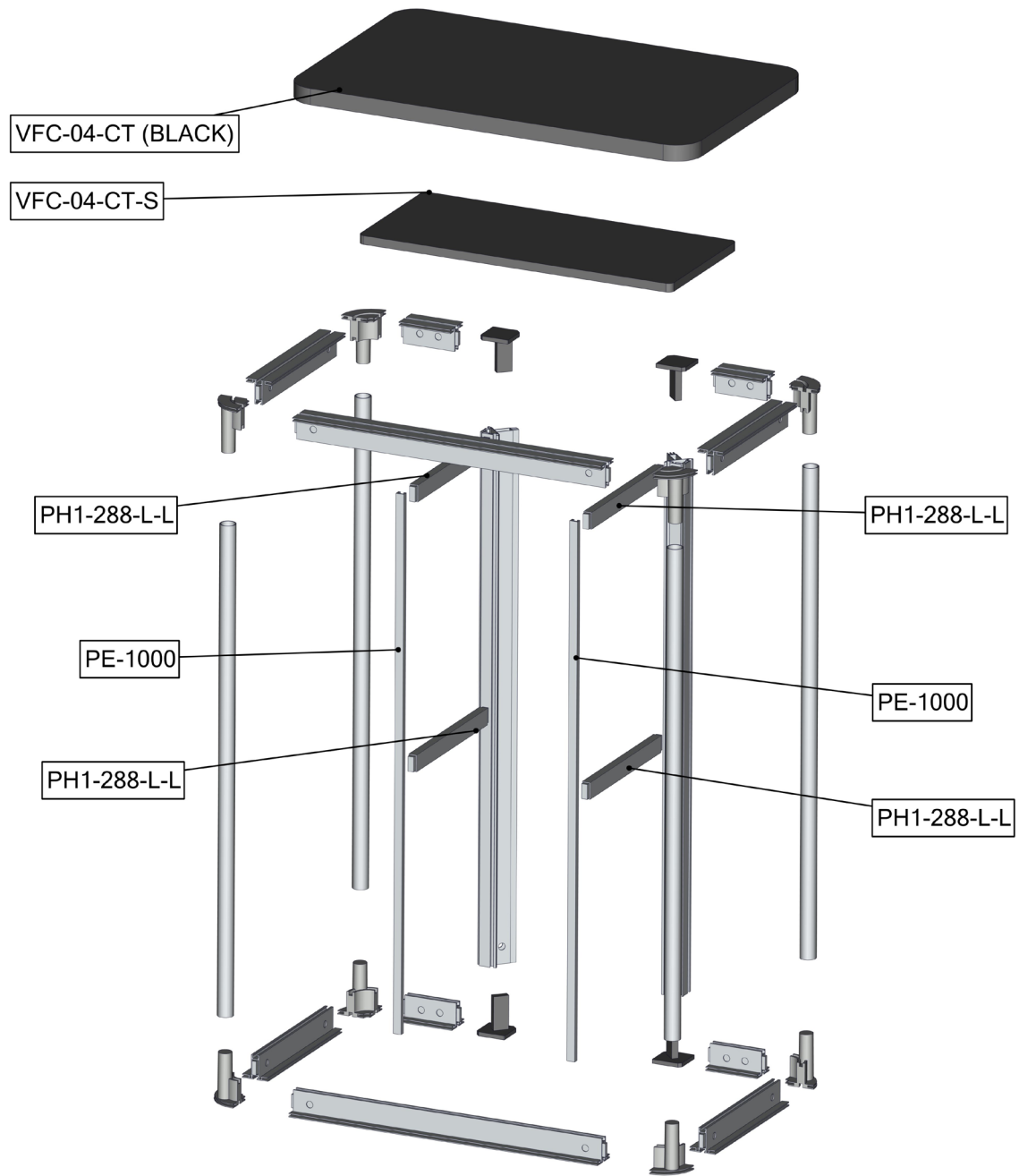
Exploded View

VFC-04
Section 2



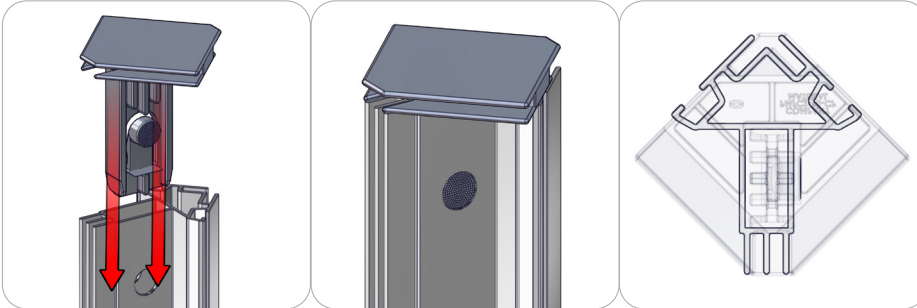
Exploded View

VFC-04
Section 3



Connection Methods

Connection Method 1: PMFC2-90-CAP



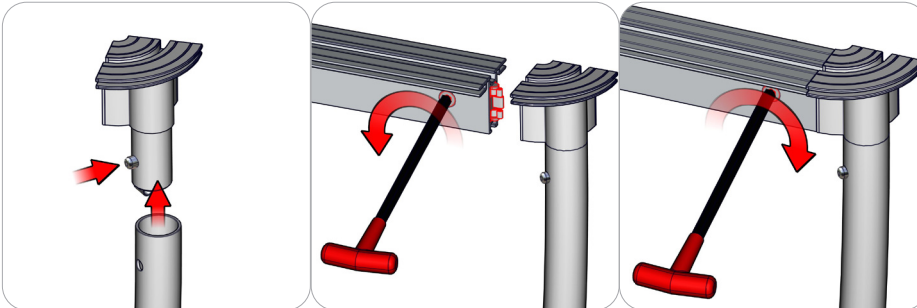
First, press button to insert the cap into the extrusion. The button will snap in place.

Connection Method 2: PMFC2 / PHFC2



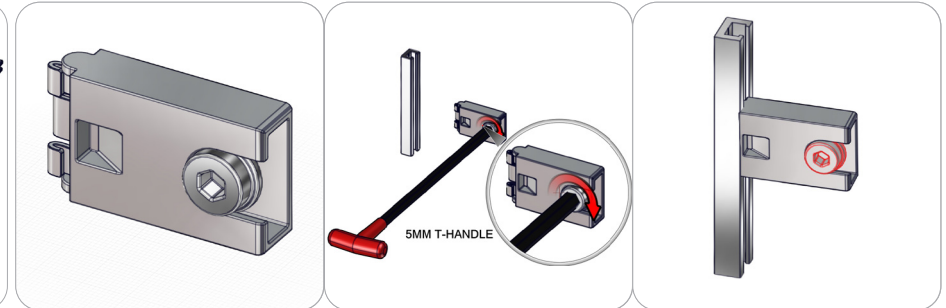
First, with the cam lock disengaged, place the cam lock teeth into the extrusion channel. Second, use the allen key tool to lock it in place. Make half turns clock-wise to engage the cam lock. Do not over tighten the lock buttons.

Connection Method 3: CB10-R / PHFC2



First, press and hold the snap button while you slide it into the tube. The snap button connection is secure when it protrudes through the tube hole. Second, using the allen key tool, disengage the cam lock in the extrusion end and place its teeth into the CB10-R channel. Third, with the cam lock teeth in the channel, use the allen key tool to engage the cam lock. Make a half turn to lock, do not over tighten. Repeat for opposite end.

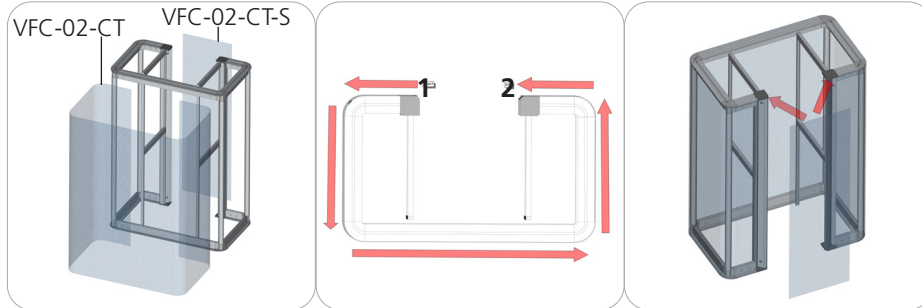
Connection Method 4: CAM LOCK / PE



First, with the cam lock disengaged, place the cam lock teeth into the extrusion channel. Second, use the allen key tool to lock it in place. Make half turns clock-wise to engage the cam lock. Do not over tighten the lock buttons.

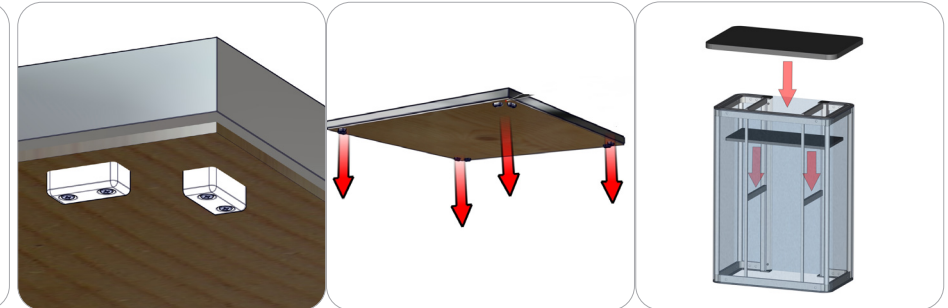
Connection Methods

Connection Method 5: Silicon Edge (SEG)



First, at START point 1, start pressing VFC-04-A-G fabric SEG from top to bottom of the counter fabric channels. Second, work the SEG across the rest of the top and bottom counter fabric channels to END point 2. At END point 2, start pressing the fabric SEG from top to bottom of the counter fabric channel. Third, apply VFC-04-B-G fabric SEG from top to bottom of the counter fabric channels.

Connection Method 6: Counter Top



Counter top is held into place by the blocks seen about.

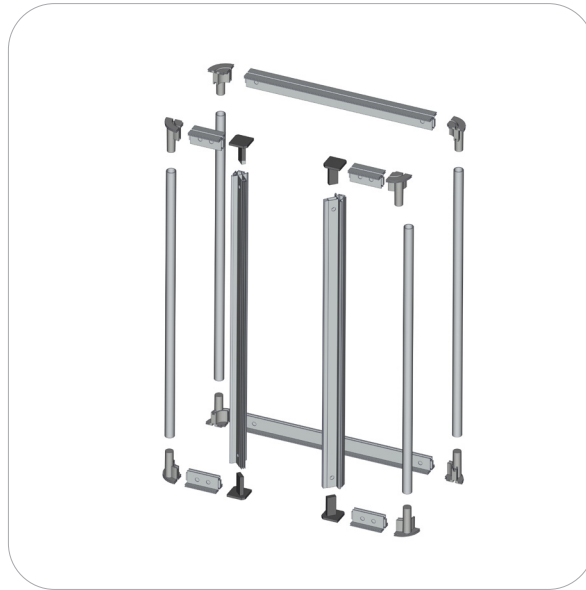
Kit Assembly

Step by Step

Step 1.

Gather the components to build the counter frame sections 1 and 2. Use the Exploded View section 1 and 2 for part labels.

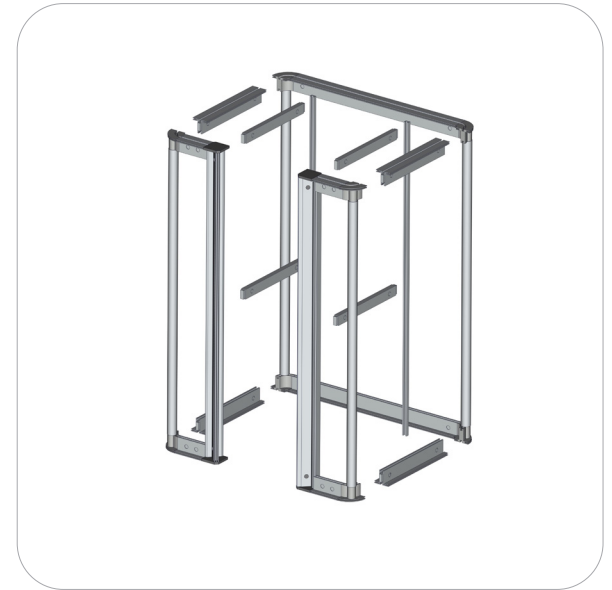
Reference Connection Method(s) 1, 2 and 3 for more details.



Step 2.

Gather the components to build the counter frame section 3. Use the Exploded View section 3 for part labels. Use section 3 to merge sections 1 and 2.

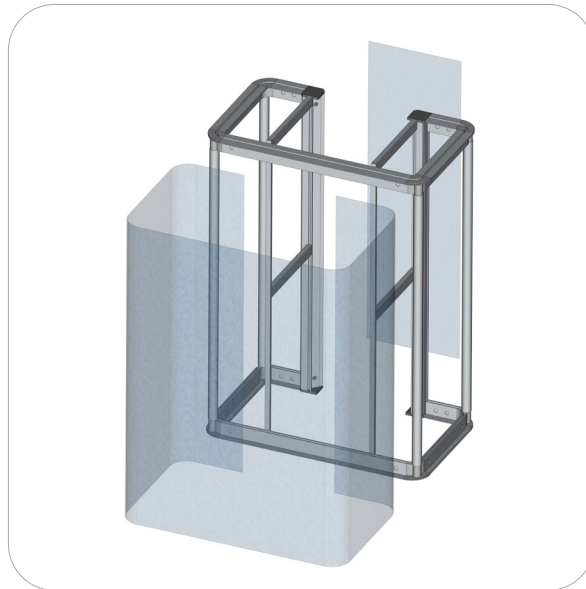
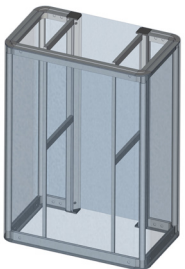
Reference Connection Method(s) 2, 3 and 4 for more details.



Step 3.

Apply the counter fabric graphics by pressing the edges of the graphic into the extrusion fabric channel.

Reference Connection Method 5 for more details.

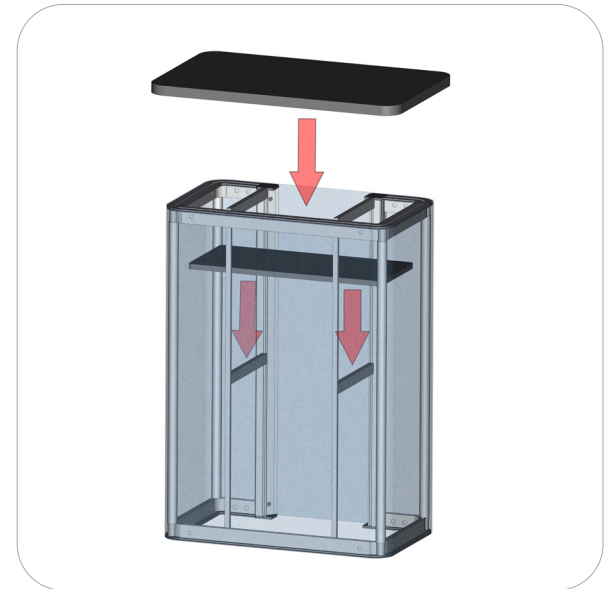
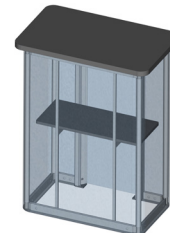


Step 4.

Gather the components to build the counter top and shelf. Use the Exploded View section 3 for part labels.

Reference Connection Method 6 for more details.

Setup is complete.



Hybrid Pro Counter 01

HPC-01

All Hybrid Pro™ Modular counters feature accessible storage and locking doors. Purchased magnet applied graphic panel allows for your messaging and branding.



features and benefits:

- 30mm aluminum stand offs
- Laminated cabinet with locking doors
- Laminated adjustable counter top
- 100mm aluminum internal light box frame
- 2 T-handle allen key tools included
- Kit includes one aluminum light box frame, one back-lit intensity push fit graphic, one push fit opaque liner, internal LED lights with power supplies, adjustable counter top and one wood crate
- Lifetime hardware warranty against manufacturer defects

dimensions:

Hardware

Graphic

Assembled unit:
39" w x 38" h x 17.72" d
992mm(w) x 967mm(h) x 450mm(d)

Approximate weight:
201 lbs / 92 kgs

Refer to related graphic template for more information.

Visit:
www.exhibitors-handbook.com/graphic-templates

Shipping

Packing case(s):
1 HPC-01-CRTAE

Shipping dimensions:
48" l x 47" h x 27" d
1220mm(l) x 1194mm(h) x 686mm(d)

Approximate total shipping weight:
301 lbs / 137 kgs

additional information:

Graphic material:
Dye-sublimation SEG fabric

When included in a larger kit, a different packaging solution will be listed to accommodate all contents of the kit. Individual packaging no longer provided.

Recommended tools:
#4 Phillips screw driver, not included
1/2" hex head wrench keys, not included

Panel Colors:



grey

black

white

2 person assembly recommended:



We are continually improving and modifying our product range and reserve the right to vary the specifications without prior notice. All dimensions and weights quoted are approximate and we accept no responsibility for variance. E&OE. See Graphic Templates for graphic bleed specifications.

Included In Your Kit

Tools, Components, & Connectors



5MM ALLEN-T x1



T-HANDLE-5-32 x1



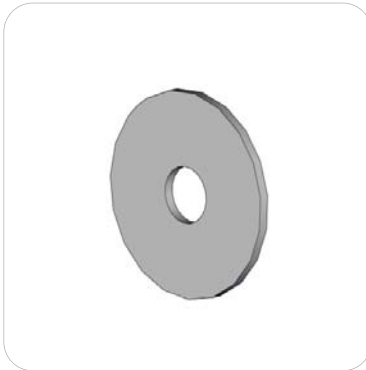
5/16" - 18 X 2"
SET SCREWS x9



5/16" - 18 X 1 1/2"
COUNTERSINK SCREWS x2



5/16" - 18 X 2"
HEX BOLTS x2



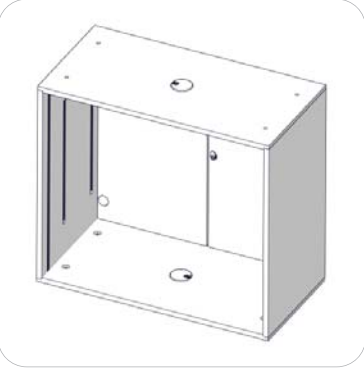
5/16" - 1 1/4" OD
FENDER WASHERS x2



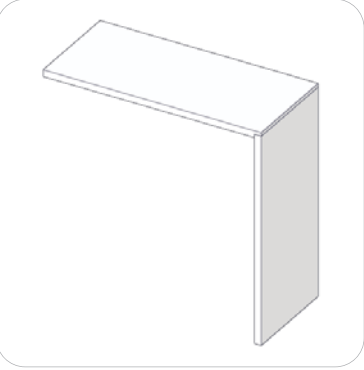
TUBE-30-ASY-1 x5



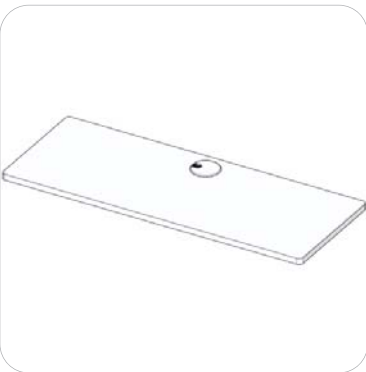
TUBE-30-ASY-2 x4



HPC-01-A-CAB x1



HPC-01-A-CT x1



HPC-01-A-INT x1



CAM LOCK x4



PHFC4-750-MCB9-MCB9-SIDE x2

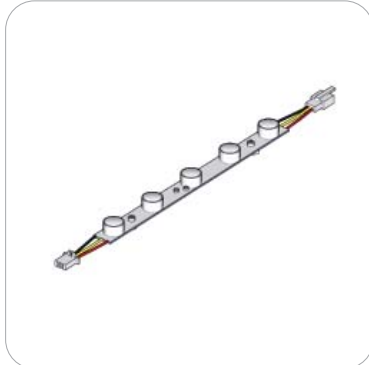


PHFC4-850-MCB9-MCB9 x2



CB9 x4

Included In Your Kit



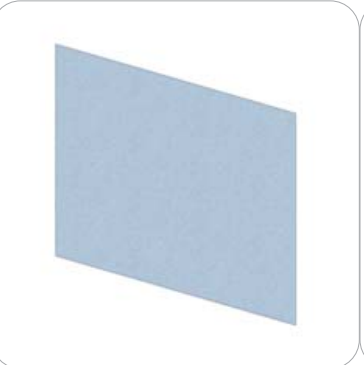
LED-WHT-DB-300 x8



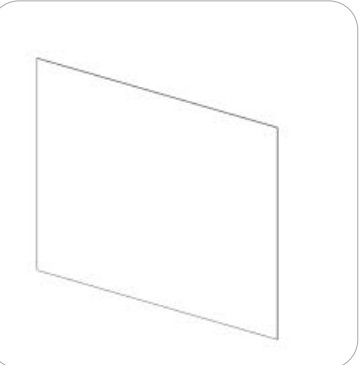
LED-DB-CL-DCJ-600 x1



LED-DB-PWRSUPPLY x1



HPC-01-LB-S-G x1

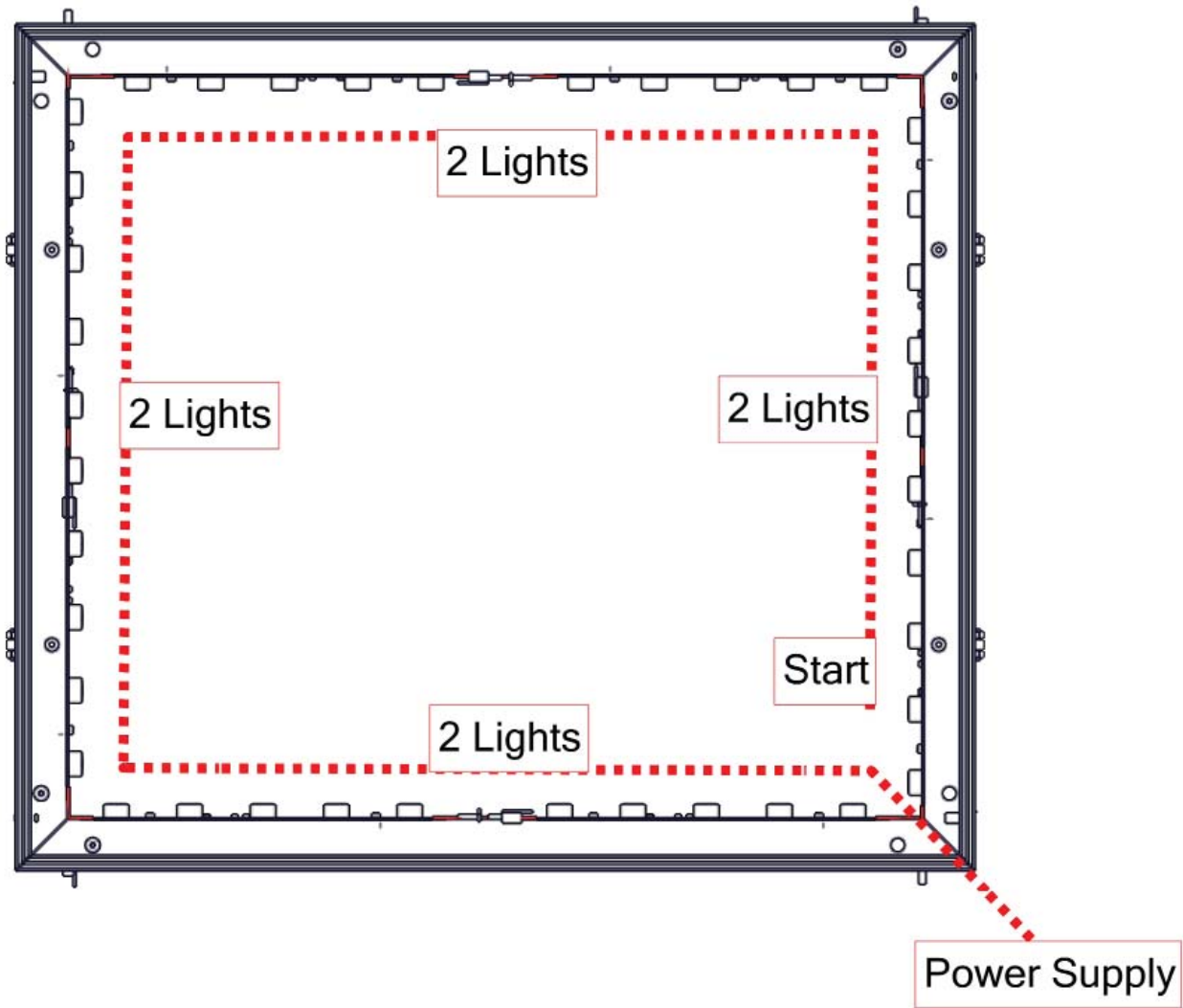


HPC-01-OP-LN x1

Connectors & Graphics

Internal Lighting Diagram

HPC-01



Connection Methods

Connection Method 1: CB9



First, insert the corner connector into the extrusion while holding in the lock button with the allen key tool. Second, slide the next extrusion onto the same corner connector while holding in the lock button using the allen key tool. Third, use the allen key tool for locking the corner connector buttons in place. Use the allen key tool to make half turns clock-wise. Do not over tighten the lock buttons.

Connection Method 2: SIDE CAMLOCKS



First, using the provided hand tool, disengage the camlock by rotating counter clock-wise 1/2 turn. Then, use the tool to press the camlock button in and recess it. You do not have to completely remove it from the extrusion. Second, slide the extrusion frame into the cabinet and line it up with the internal extrusion channels. Third, pop the camlocks back into place and set the camlock teeth into the next extrusion channel. Make a 1/2 turn clock-wise to engage the camlock.

Connection Method 3: TUBE-30-ASY-1 / TUBE-30-ASY-2

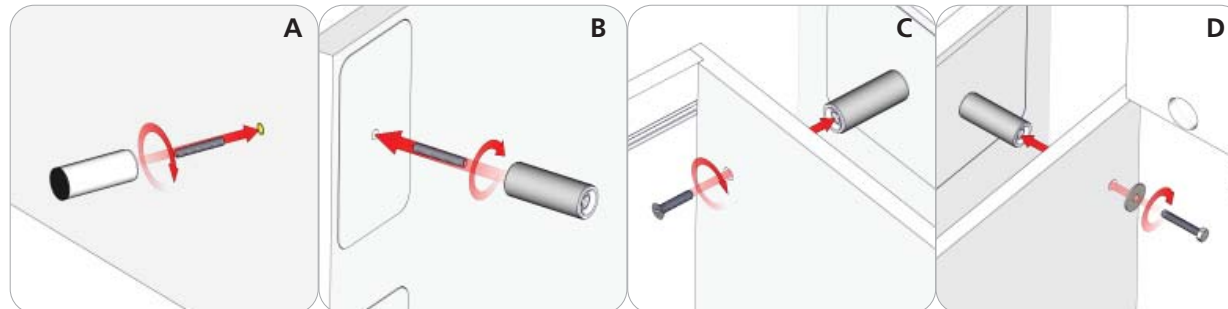


Image A. Use the hex key tool to drive the 2" set screw into the panel. Then, hand tighten the 30mm tube assembly 1 onto the set screw.

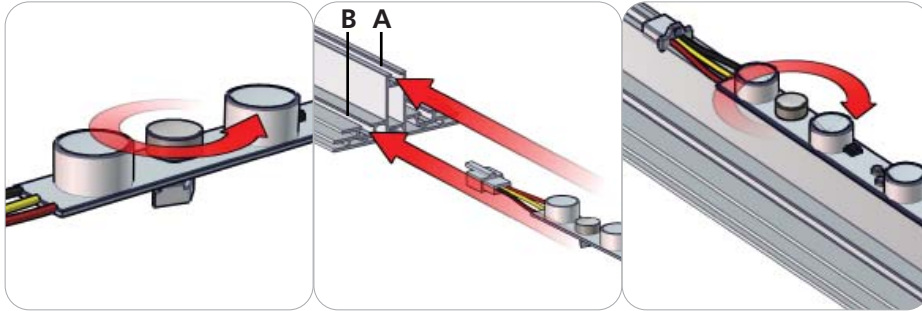
Image B. Use the hex key tool, to drive the 2" set screw into the panel. Then, hand tighten the 30mm tube assembly 2 onto the set screw.

Image C. Use a #4 Phillips screw driver (tool not included) to drive the countersink screws into the 30mm tube assembly 2.

Image D. Use a 1/2" hex wrench (tool not included) to drive the hex bolt and washer into the 30mm tube assembly 2.

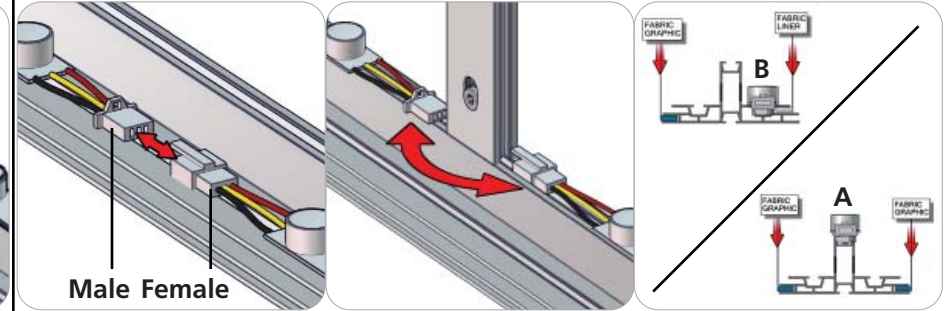
Connection Methods

Connection Method 4 (Part 1): LED-WHT-DB-300



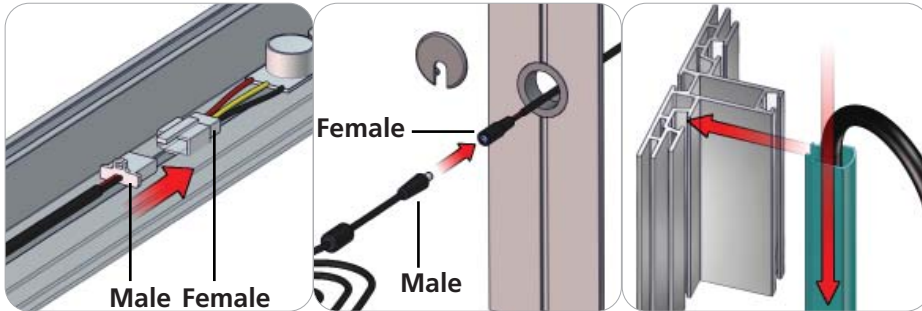
For single sided graphics, it is recommended to attach the light strips into PHFC4 channel (B). For double sided graphics, it is recommended to attach the light strips into PHFC4 channel (A). Loosen the thumb screws and diamond toggles on the light strips. Notice the male and female plugs for arranging them in series. Spread the lights out evenly on the frame channels desired. Lightly tighten the thumb screws, allowing them to slide and adjust for connections even distances apart.

Connection Method 4 (Part 2): LED-WHT-DB-300



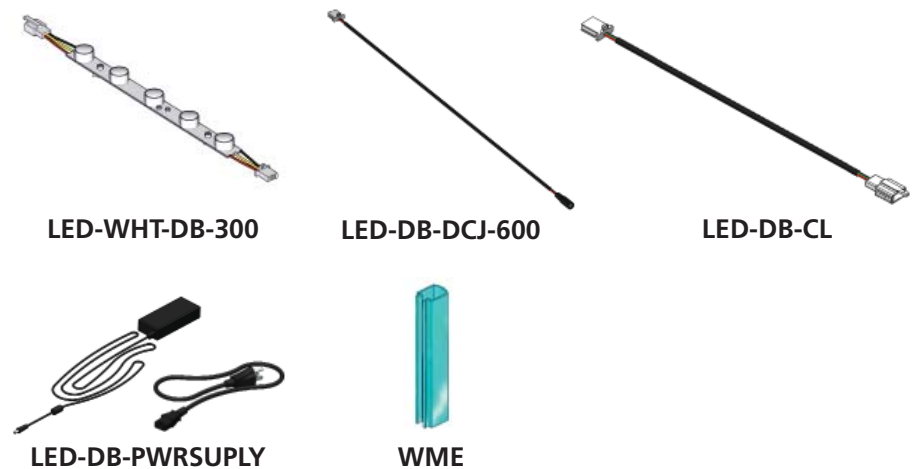
Note: Each power supply can light up to 9 light strips; more details on power supply cords later. With the male and female plugs in series, connect the **LED-WHT-DB-300's** end to end. You can also connect these lights around a vertical extrusion spreader and continue the series. You may loosen the thumb screws to adjust the location of the light strips to simplify connections and reduce shadowing.

Connection Method 4 (Part 3): LED-WHT-DB-300 / LED-DB-DCJ-600 / LED-DB-PWRSUPLY / WME



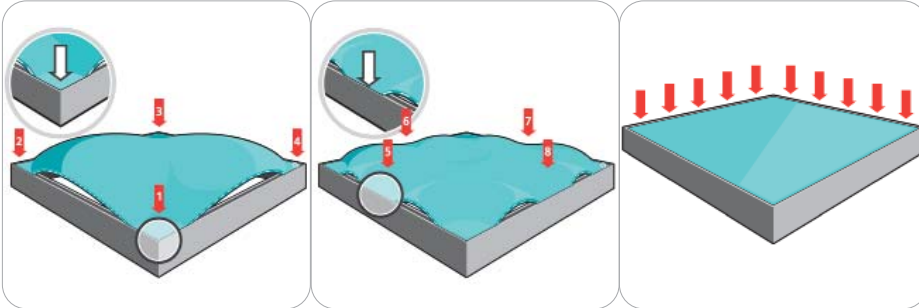
Note: Each power supply can light up to 9 light strips. Depending on the size of your frame and number of lights; you may have to split the power supplies evenly for maximum lighting effect. Connect the male end of the **LED-DB-DCJ-600** power cord to the female end of the light strip series. Run the female end of **LED-DB-DCJ-600** out through the PHFC4 grommet hole. If the PHFC4 grommet hole is not available run it out by the opaque liner allowing the SEG to go right over it. Connect the male end of the **LED-DB-PWRSUPLY** to the power cord female end. Use wire management extrusion (**WME**) to organize the power cords inside of the frame. Test the **LED-DB-PWRSUPLY** out to a power outlet.

Connection Method 4 (Part 4): Internal Lighting Components



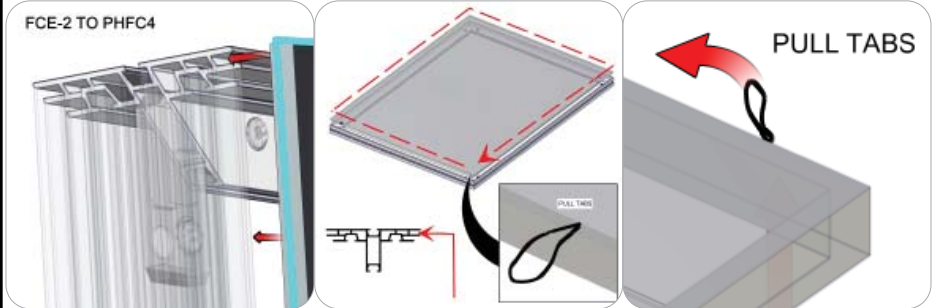
Connection Methods

Connection Method 5: SILICONE EDGE FABRIC GRAPHICS



First, insert the silicone edge fabric corners into the frame extrusion fabric graphic channels (points 1 through 4). Second, insert the silicone edge fabric sides into the frame extrusion fabric graphic channels (points 5 through 8). Third, push the remaining silicone edge into the frame extrusion fabric graphic channels.

Connection Method 6: SILICONE EDGE FABRIC OPAQUE LINER



First, insert the silicone edge corners of the opaque liner into the frame extrusion SEG channels. Second, insert the silicone edge fabric sides of the opaque liner into the frame extrusion SEG channels. Third, the opaque liner will have a pull tab to start removing the panel.

Connection Method 7: CAM LOCK



First, using the provided hand tool, disengage the camlock by rotating counter clock-wise 1/2 turn. Second, line it up with the internal extrusion channels. Third, set the camlock teeth into the next extrusion channel. Make a 1/2 turn clock-wise to engage the camlock.

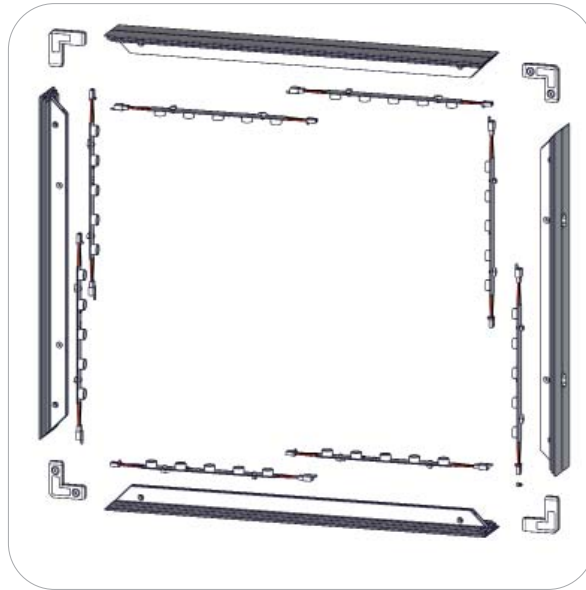
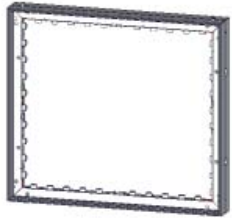
Kit Assembly

Step by Step

Step 1.

Use the provided hex key tool for assembling the light box frame. The 8 LED light strips are tool-less application. Reference the Internal Lighting Diagram for wire attachment series.

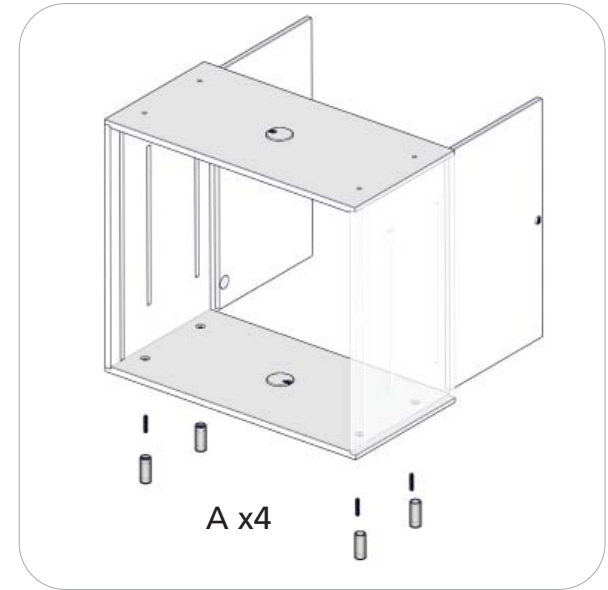
Reference Connection Methods 1 and 4 for more details.



Step 2.

Use the provided hex key tool for attaching the 4 set screws. Make sure the set screws are flush to the inside surface and do not protrude into the cabinet. Next, hand tighten the 30mm tube feet onto the set screws.

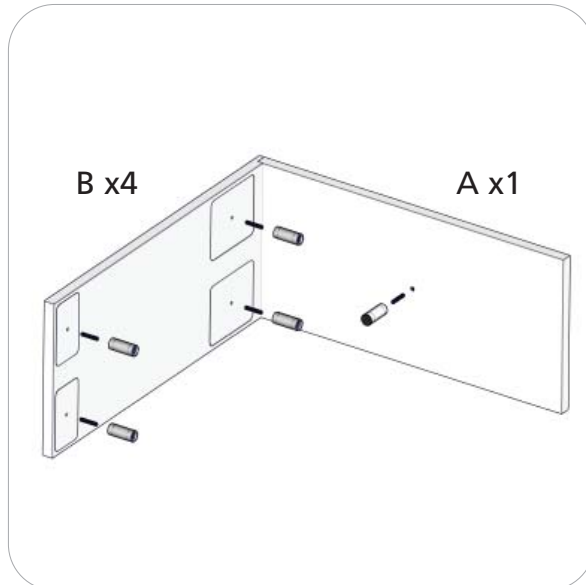
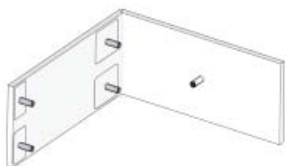
Reference Connection Method 3 Image A for more details.



Step 3.

Use the provided hex key tool for attaching the 5 set screws onto the counter top. Next, hand tighten the 30mm tube posts onto the set screws.

Reference Connection Method 3 Image A and B for more details.

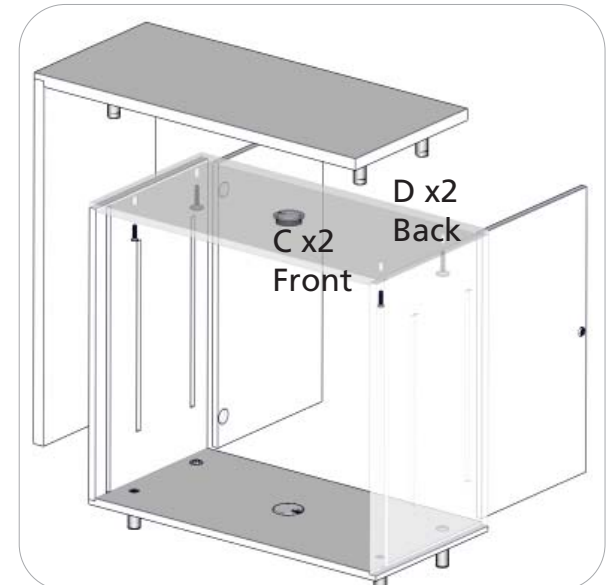


Step 4.

Use a #4 Phillips screw driver and a 1/2" hex wrench (tools not included) for attaching the four 30mm tube posts of the counter top onto the cabinet.

Reference Connection Method 3 Image C and D for more details.

This counter top can be assembled on the left or right.



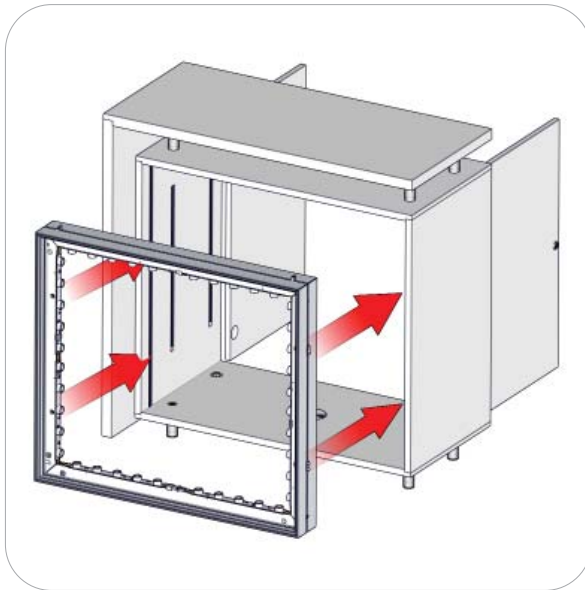
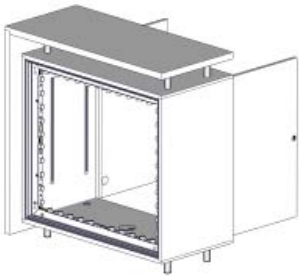
Kit Assembly

Step by Step

Step 5.

Check that the cabinet set screws are not protruding before you slide in the light box frame. Also, recess the side camlocks and slide in the light box frame.

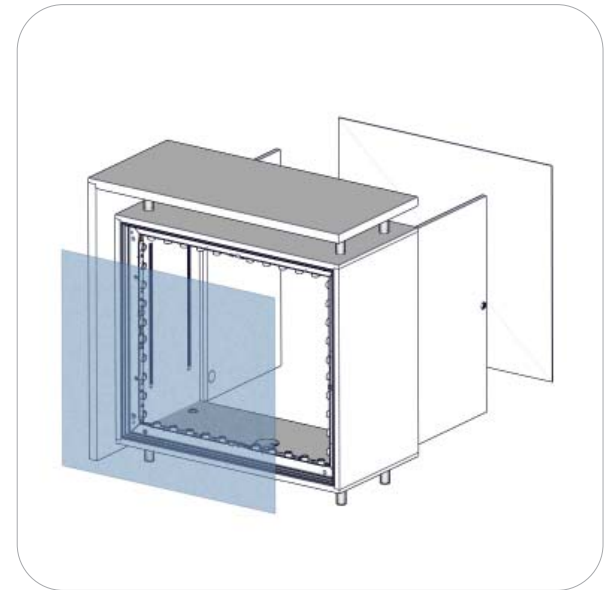
Reference Connection Methods 2 and 4 for more details.



Step 6.

Use the easy to apply push fit silicone edge technology to apply the back-lit fabric graphic and opaque liner. Leave one lower corner of the opaque liner detached for power supply cable access.

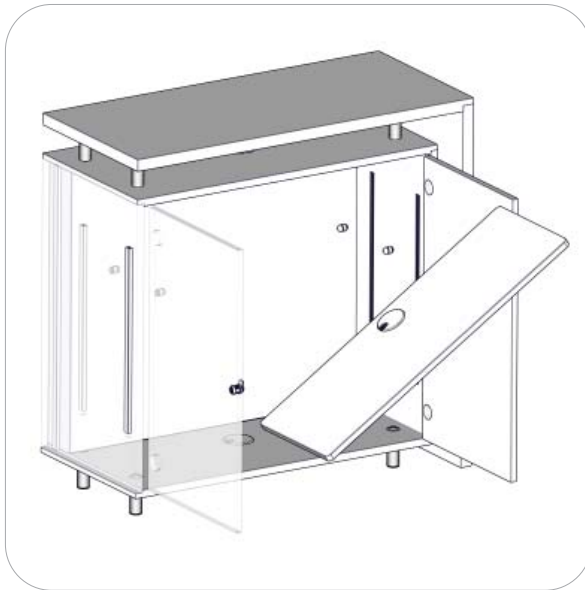
Reference Connection Methods 4, 5 and 6 for more details.



Step 7.

Using the provided allen key tool, attach the 4 camlocks into the cabinets inside extrusion channels. Make sure they are all at the same height and level for the internal shelf.

Reference Connection Method 7 for more details.



Step 8.

Connect the power supply to the LED light strip through the lower corner of the opaque liner. Setup is complete.

Reference Connection Methods 4 and 6 for more details.

