

# Hybrid Pro Modular Kit 20

## HP-K-20

Hybrid Pro™ Modular exhibits and counters are a perfect solution for the serious exhibitor. Exhibits feature heavy-duty aluminum extrusion frames and push-fit fabric graphics. Count on making an unforgettable impact with Hybrid Pro Modular exhibit kits, counters, and accessories.



\* foreground counter not included

We are continually improving and modifying our product range and reserve the right to vary the specifications without prior notice. All dimensions and weights quoted are approximate and we accept no responsibility for variance. E&OE. See Graphic Templates for graphic bleed specifications.

## features and benefits:

- Stands approximately 14' tall and features a 12'd x 4'h circular ring structure, laminated wood structures and fabric graphic walls
- Single-sided dye-sublimated push-fit fabric graphics with Velcro on perimeter
- Four internally facing shelving areas feature three 24" x 24" shelves each
- Kit includes laminate walls, ten fabric graphic panels, one pillowcase fabric graphic, two large monitor mounts, two large monitor mount, 12 shelves, one molded OCE case, two woodcrates and one NCRATE
- Lifetime hardware warranty against manufacturer defects

## dimensions:

### Hardware

Assembled unit (including ring structure):  
212.875"w x 167.375"h x 212.375"d

Buttress walls 118.125"h

Four white laminate walls:  
48"w x 118"h x 12" thick

\*white laminate platforms 48" x 48" hold 4 fabric graphic walls

Shelves: 24"w x 24"d

### Shipping

Shipping dimensions - ships in 4 cases:  
2 WOODCRATE cases: 101"l x 53"h x 49"d  
2565mm(l) x 1346mm(h) x 1245mm(d)

1 NCRATE: 60"l x 57"h x 48"d  
1524mm(l) x 1448mm(h) x 1219mm(d)

1 OCE case: 18"l x 40" - 66"h x 18"d  
457mm(l) x 1016mm - 1676mm(h) x 457mm(d)

Approximate shipping weight (entire kit):  
2437 lbs / 1105.4 kgs

### Graphic

Refer to related graphic templates for more information

Visit:

[www.exhibitors-handbook.com/graphic-templates](http://www.exhibitors-handbook.com/graphic-templates)

## additional information:

Graphic material: Dye-sublimated fabric

Shelf color options:



silver

black

mahogany

natural

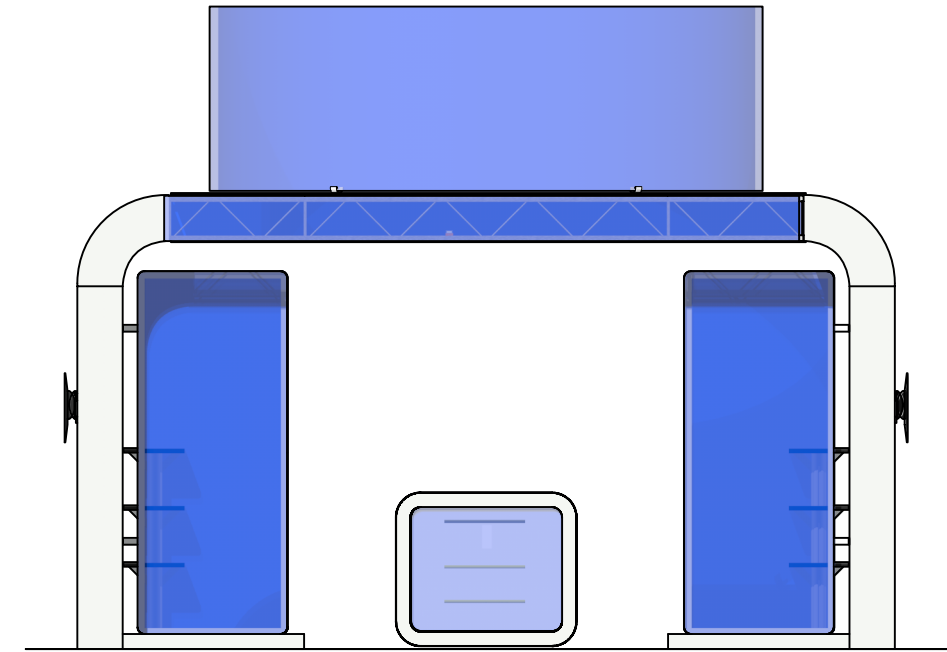
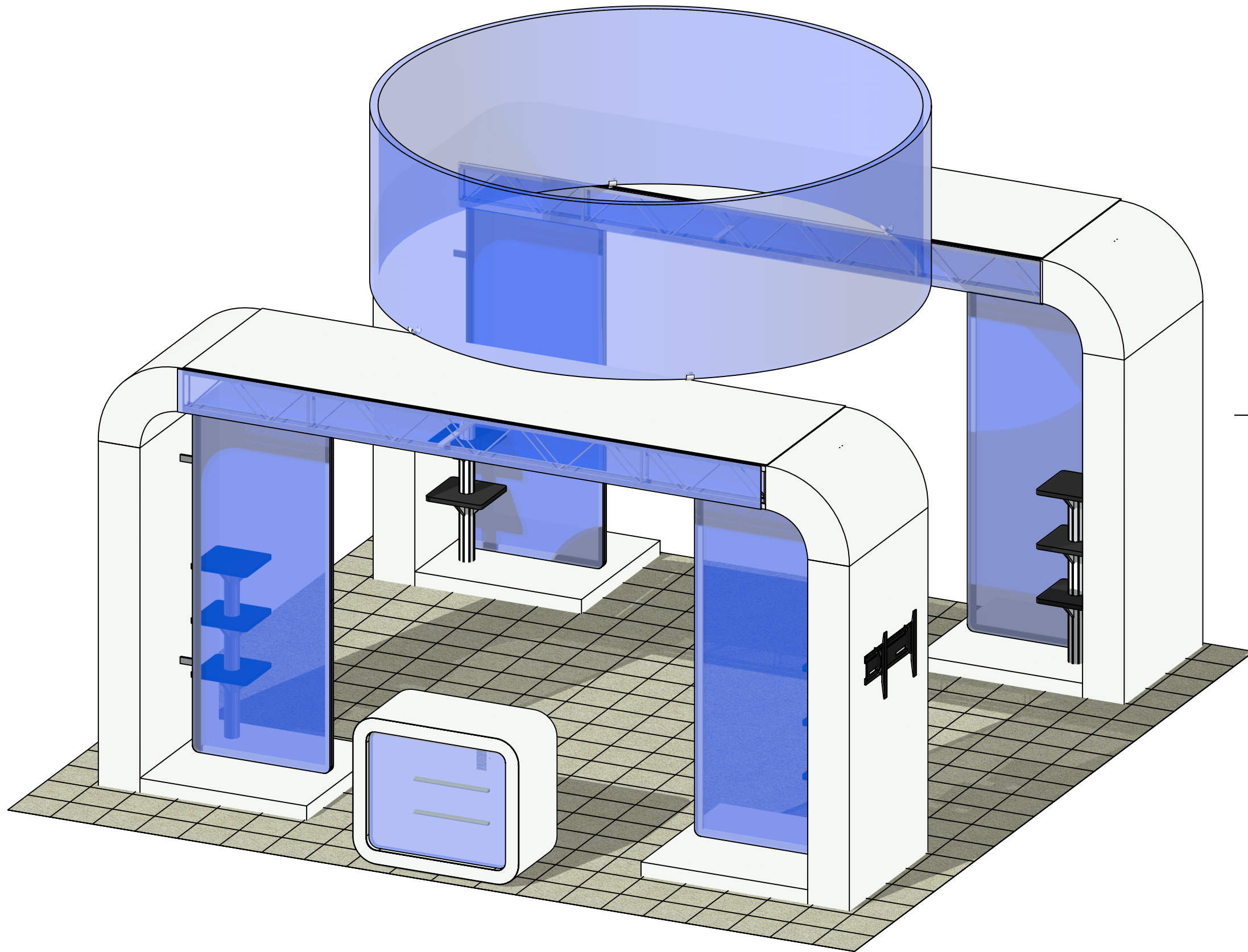
Large monitor bracket holds 32-70" LCD,  
maximum weight: 150 lbs / 68.04 kgs

Max shelf weight (each): 5 lbs / 2.28 kgs

Center ring structure will require rigging of  
center structure to ceiling

\*Flooring and center counter REC-42  
not included

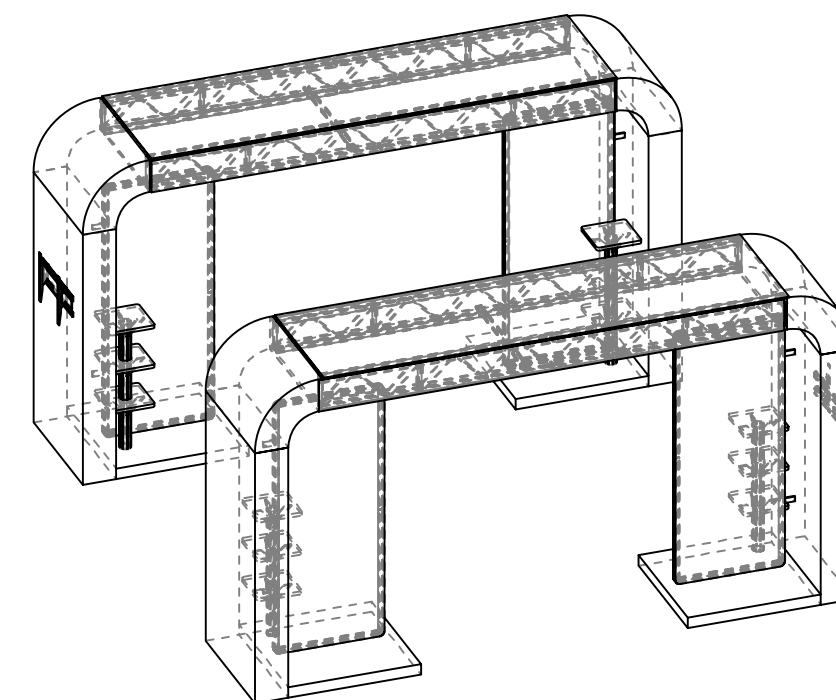
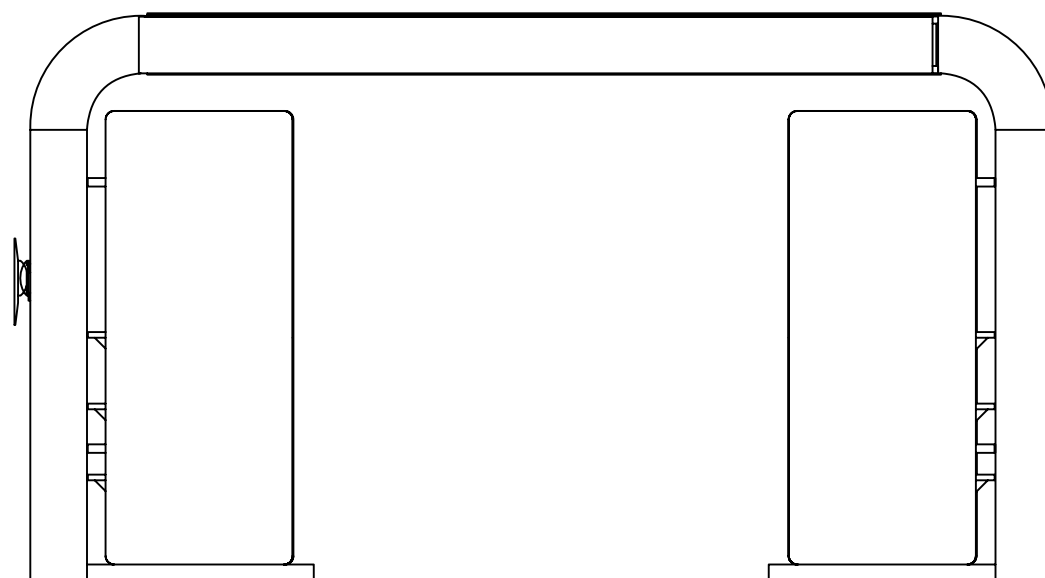
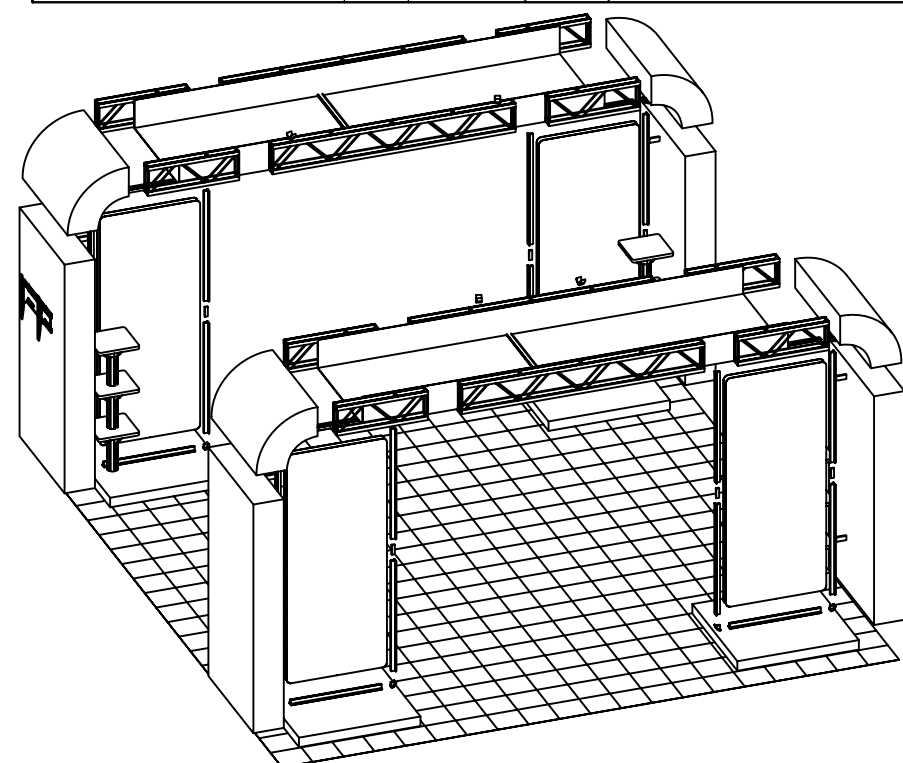
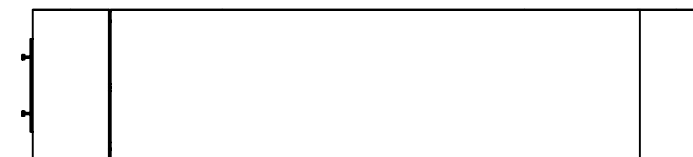
**R-HP-K-20**

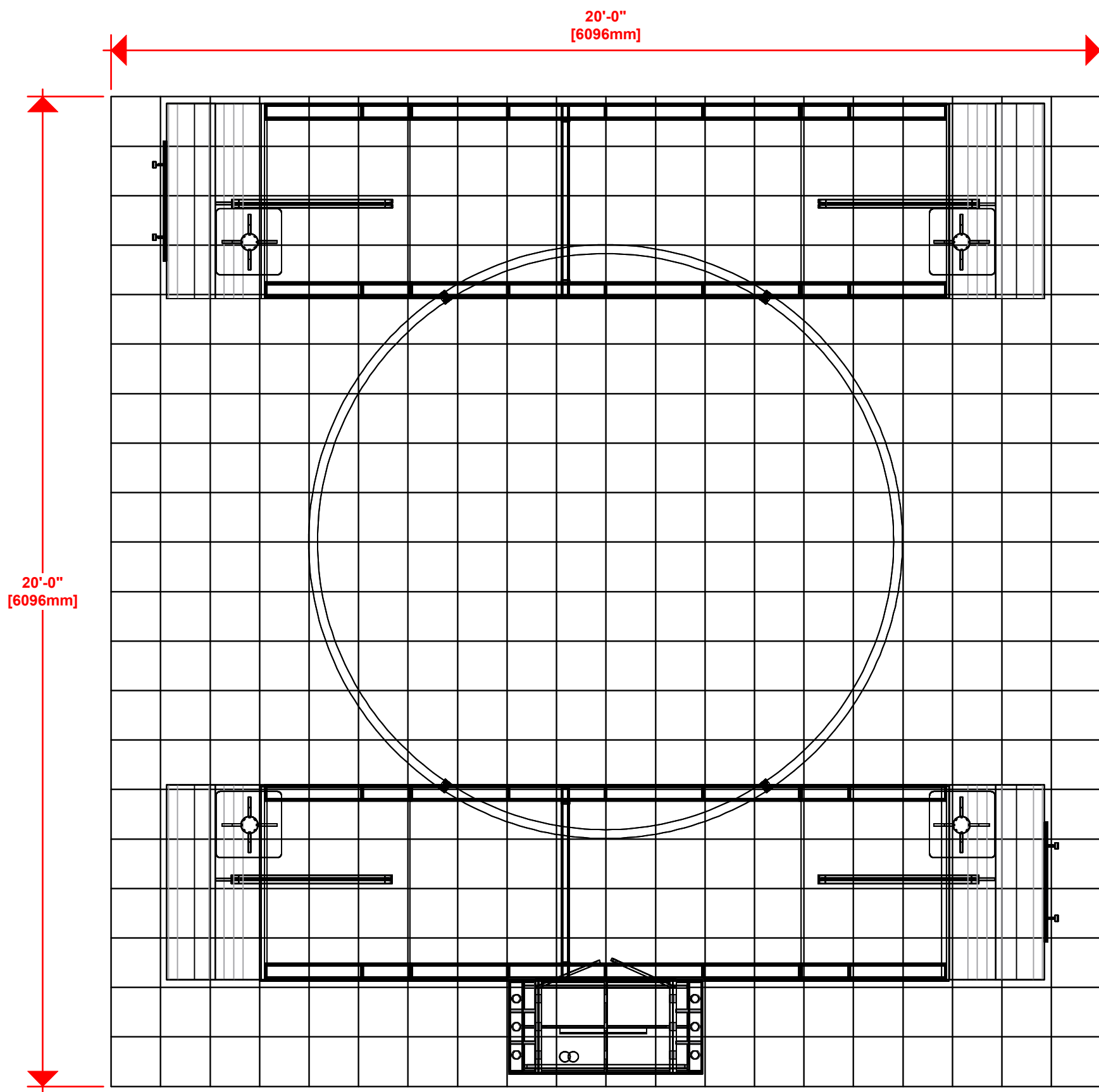


Code	#	Description
R16	4	900MM (35.43") PHFC2 EXTRUSION WITH LOCKS 2 ENDS
IB2	8	PH INLINE CONNECTOR
CB9-R	16	50MM ROUND PHCF2 CORNER BRACKET
R28	16	1155MM (45.47") PHFC2 EXTRUSION WITH IB2 HOLE ONE SIDE-WITH LOCK 1 END
R94	4	900MM (35.43") PHFC2 EXTRUSION WITH LOCKS 2 ENDS WITH SIDE CAM LOCKS
GRAPHIC B2	1	94 1/2" (H) X 39 3/8" (W) SINGLE SIDED DYESUB GRAPHIC W/ FCE-2 (SEG) ON PERIMETER
GRAPHIC B1	1	94 1/2" (H) X 39 3/8" (W) SINGLE SIDED DYESUB GRAPHIC W/ FCE-2 (SEG) ON PERIMETER
R100	2	2400MM X 1200MM X 300MM CUSTOM WOOD PANELS W/ MONITOR MOUNTS 66" ON CENTER ON OUTSIDE
R97	8	900MM (3FT NOMINAL) MILL FINISH BOLD TRUSS
R98	4	2400MM (8FT NOMINAL) MILL FINISH BOLD TRUSS
R102	4	1200MM X 1200MM X 100MM CUSTOM WOOD PANELS W/ TEE NUTS FOR SMARTWALL FRAME TO BOLT TO
GRAPHIC A2	1	94 1/2" (H) X 39 3/8" (W) SINGLE SIDED DYESUB GRAPHIC W/ FCE-2 (SEG) ON PERIMETER
GRAPHIC A1	1	94 1/2" (H) X 39 3/8" (W) SINGLE SIDED DYESUB GRAPHIC W/ FCE-2 (SEG) ON PERIMETER
R99	2	2400MM X 1200MM X 300MM CUSTOM WOOD PANELS
GRAPHIC C1	1	94 1/2" (H) X 39 3/8" (W) SINGLE SIDED DYESUB GRAPHIC W/ FCE-2 (SEG) ON PERIMETER
GRAPHIC C2	1	94 1/2" (H) X 39 3/8" (W) SINGLE SIDED DYESUB GRAPHIC W/ FCE-2 (SEG) ON PERIMETER
GRAPHIC D1	1	94 1/2" (H) X 39 3/8" (W) SINGLE SIDED DYESUB GRAPHIC W/ FCE-2 (SEG) ON PERIMETER
GRAPHIC D2	1	94 1/2" (H) X 39 3/8" (W) SINGLE SIDED DYESUB GRAPHIC W/ FCE-2 (SEG) ON PERIMETER
R101	4	1200MM X 600MM X 600MM CURVED WOOD PANELS
LM-MB	2	LARGE MONITOR MOUNTING BRACKET FOR MONITORS 30-63
CT-22L	4	406MM X 406MM X 30MM LAMINATE COUNTER TOP W/PEs ON BOTTOM
R95	4	1200MM (47.24") 100MM PM4R8 SILVER "8" CHANNEL ROUND EXTRUSION WITH THREADED INSERT ONE END
CT-22L	8	406MM X 406MM X 30MM LAMINATE COUNTER TOP W/PEs ON BOTTOM AND THROUGH HOLE FOR PM4R8 EX
R96	48	170MM (6.69") PH GUSSET EXTRUSION MITER CUT BOTH ENDS WITH 45 DEGREE LOCKS 2 ENDS
GRAPHIC F1	1	55 1/8" (H) X 165 3/8" (W) SINGLE SIDED DYESUB GRAPHIC W/ VELCRO ON BACK PERIMETER. GRAPHIC WRAP
GRAPHIC F2	1	55 1/8" (H) X 165 3/8" (W) SINGLE SIDED DYESUB GRAPHIC W/ VELCRO ON BACK PERIMETER. GRAPHIC WRAP
R63	8	100MM PH WITH LOCKS BOTH ENDS
LINER	2	47 1/4" X 165 3/8" UNPRINTED LINER W/ VELCRO ON BACK PERIMETER. GRAPHIC WRAPS
R119	2	1170MM(46.06") PH EXTRUSION WITH(2) WOOD BLOCKS AND (4) LN605EN□□□

# BOM

R-HP-K-20





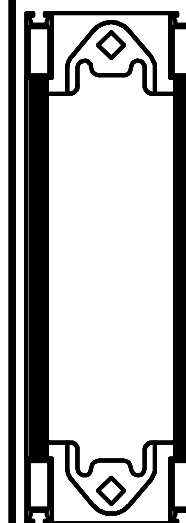
1. Redesign of this exhibit without approval by manufacturer may result in dangerous and unsafe structures. Manufacturer disclaims any responsibility for redesigned exhibits it does not approve in writing.

2. Parts and components such as panels and extrusions are manufactured to metric sizing. Where ever possible sizes have been noted in feet and inches as well as in metric. Below is the imperial to metric sizing table as reference. "Nominal" refers to approximate size.

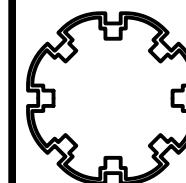
- 2400mm = (94 1/2")
- 2100mm = (82 5/8")
- 1800mm = (70 7/8")
- 1500mm = (59")
- 1200mm = (47 1/4")
- 900mm = (35 1/2")
- 600mm = (23 5/8")
- 300mm = (11 7/8")

- ☒ Phone Line / Fax
- ☒ Internet connection
- ☒ Outlet
- ☒ Main Drop (point of distrution)

--- Wire running under carpet



BT



PM4R8



PH

**HYBRID PRO RENTAL KIT**

Title: SET-UP INSTRUCTIONS

# RNG1204

## SET UP INSTRUCTIONS:

1. CONNECT BOTTOM AND TOP TUBES FOLLOWING THE LABELS
2. CONNECT SIDE TUBES
3. CLEAN THE FRAME AND PLACE THEM ON CLEAN PLACE
4. CAREFULLY REMOVE FABRIC COVER FROM BAG
5. PLACE COVER AROUND THE BOTTOM OF THE FRAME
6. PULL COVER CAREFULLY UP TO THE TOP
7. CLOSE ALL ZIPPERS
8. ADJUST FABRIC AROUND THE FRAME
9. CONNECT CABLE HARNESS TO THE EYEBOLTS
10. COMPLETELY TIGHTEN THREADED CONNECTORS

## BREAK DOWN INSTRUCTIONS:

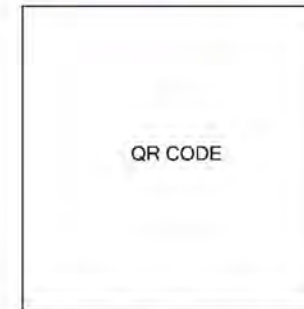
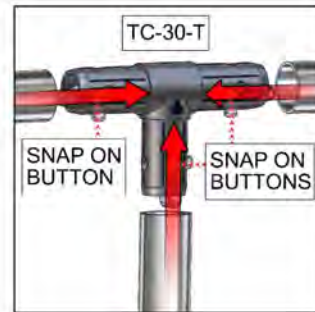
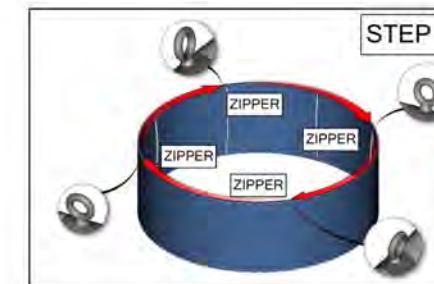
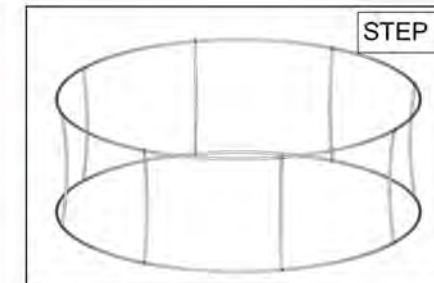
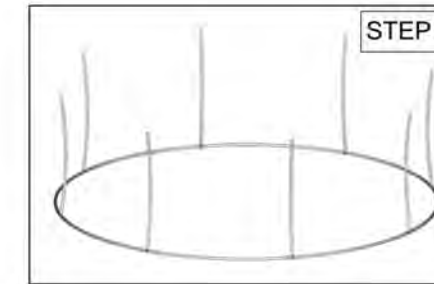
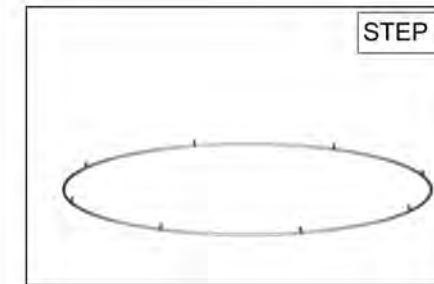
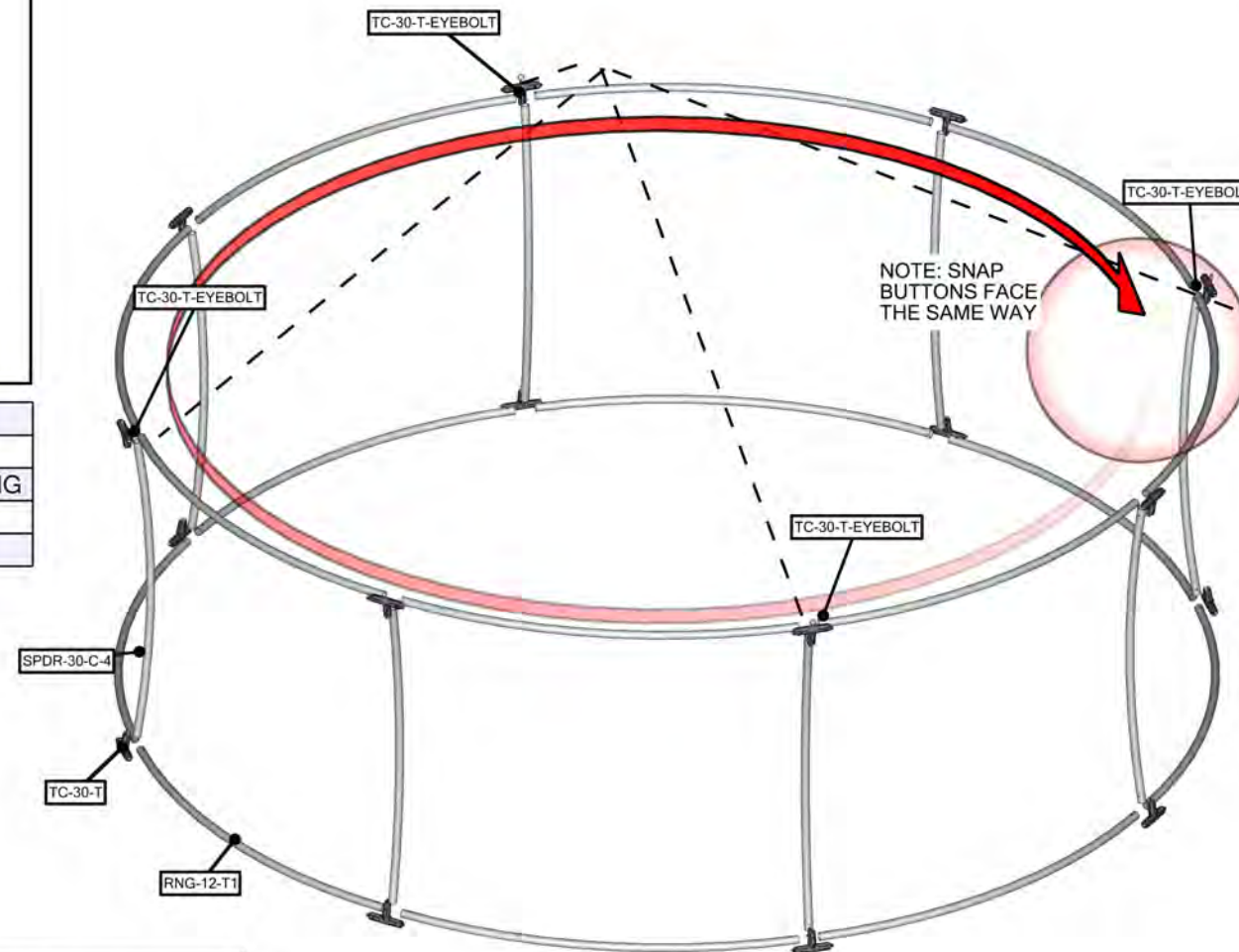
REVERSE SET-UP STEPS TO BREAKDOWN FRAME

## FABRIC CARE INSTRUCTIONS:

1. UNZIP COVER ZIPPERS
2. CAREFULLY REMOVE FABRIC COVER
3. CLOSE ALL ZIPPERS
4. FOLD OR ROLL NEATLY
5. PLACE FABRIC IN COVER BAG

QTY	CODE	DESCRIPTION
8	SPDR-30-C-4	30MM CURVED SPREADER FOR
16	RNG-12-T1	30MM TUBE FOR 12' DIAMETER RING
12	TC-30-T	T JUNCTION FOR 30MM TUBING
4	TC-30-T-EYEBOLT	T JUNCTION FOR 30MM TUBING

TOTAL WEIGHT: 52.3 (lbs)  
 MAX SIZE: 55.1 (in)  
 HARDWARE: 28.6(lbs)  
 GRAPHIC: 20.9 (lbs)



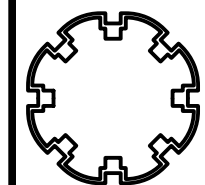
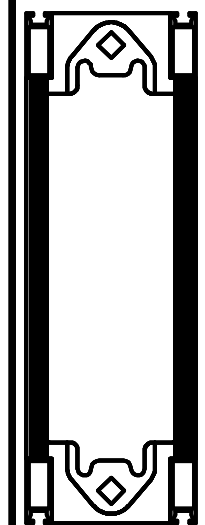
Set-up Video

1. Redesign of this exhibit without approval by manufacturer may result in dangerous and unsafe structures. Manufacturer disclaims any responsibility for redesigned exhibits it does not approve in writing.

2. Parts and components such as panels and extrusions are manufactured to metric sizing. Where ever possible sizes have been noted in feet and inches as well as in metric. Below is the imperial to metric sizing table as reference. "Nominal" refers to approximate size.

2400mm = (94 1/2")	Phone Line / Fax
2100mm = (82 5/8")	Internet connection
1800mm = (70 7/8")	Outlet
1500mm = (59")	Main Drop (point of distrution)
1200mm = (47 1/4")	
900mm = (35 1/2")	
600mm = (23 5/8")	
300mm = (11 7/8")	

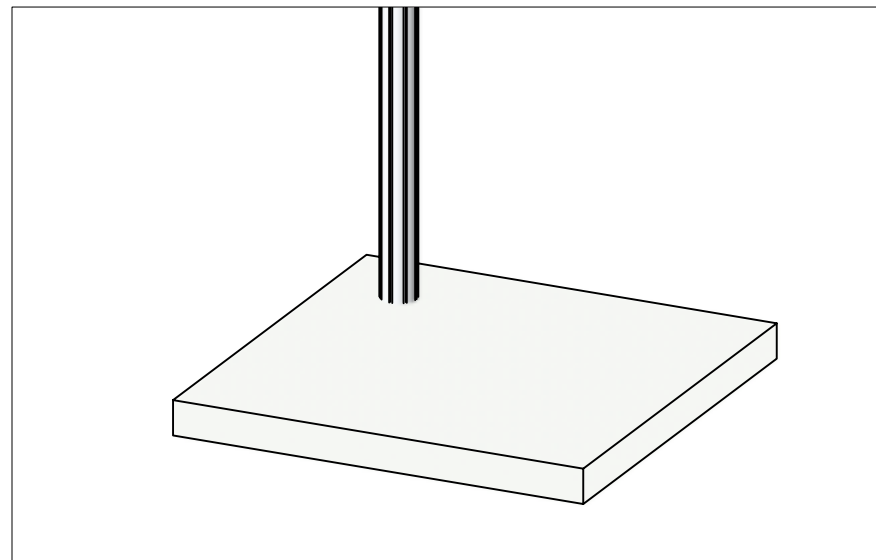
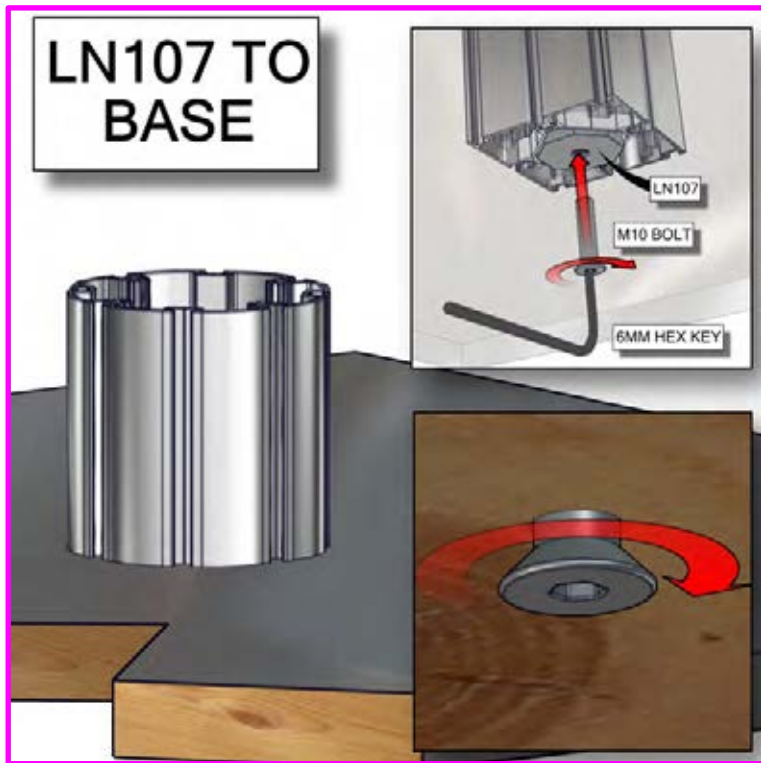
Wire running under carpet



HYBRID PRO RENTAL KIT

Title: SET-UP INSTRUCTIONS

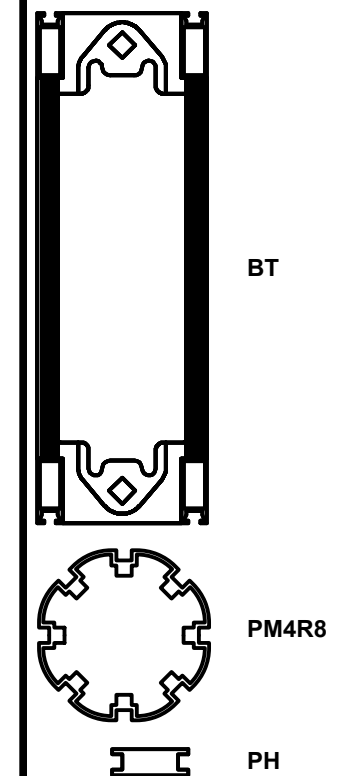
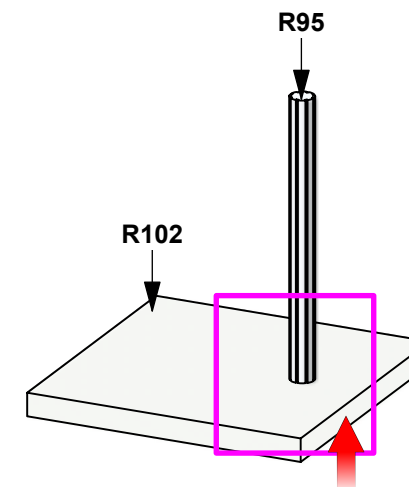
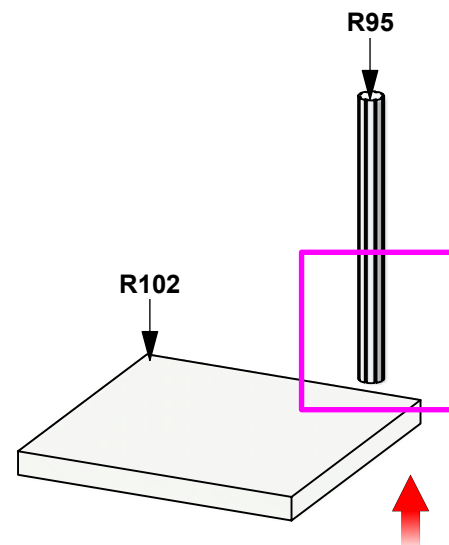
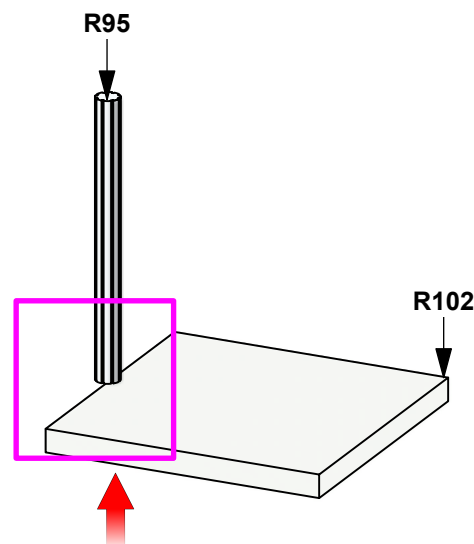
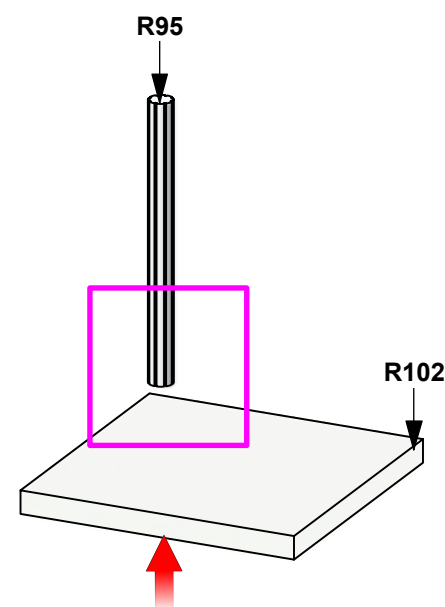
Code	#	Description
R102	4	1200MM X 1200MM X 100MM CUSTOM WOOD PA
R95	4	1200MM (47.24") 100MM PM4R8 SILVER "8" CHAN



1. Redesign of this exhibit without approval by manufacturer may result in dangerous and unsafe structures. Manufacturer disclaims any responsibility for redesigned exhibits it does not approve in writing.

2. Parts and components such as panels and extrusions are manufactured to metric sizing. Where ever possible sizes have been noted in feet and inches as well as in metric. Below is the imperial to metric sizing table as reference. "Nominal" refers to approximate size.

- 2400mm = (94 1/2")
  - 2100mm = (82 5/8")
  - 1800mm = (70 7/8")
  - 1500mm = (59")
  - 1200mm = (47 1/4")
  - 900mm = (35 1/2")
  - 600mm = (23 5/8")
  - 300mm = (11 7/8")
- Phone Line / Fax
  - Internet connection
  - Outlet
  - Main Drop (point of distrution)
- Wire running under carpet

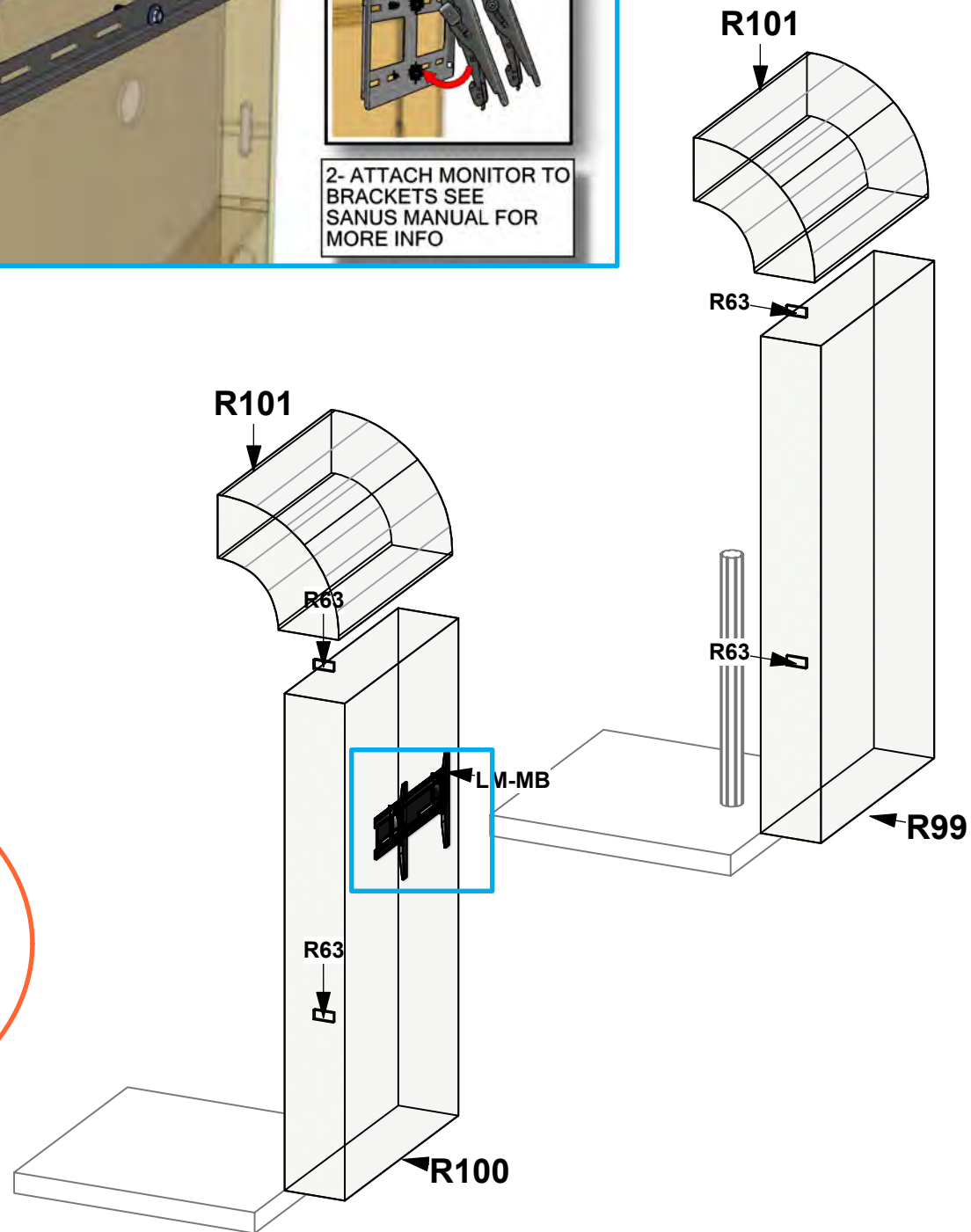
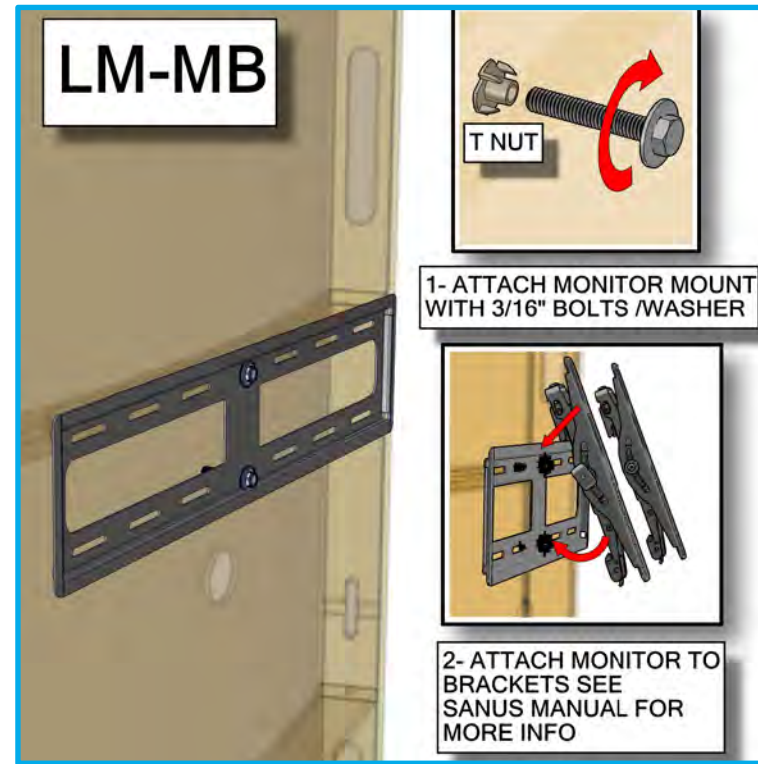
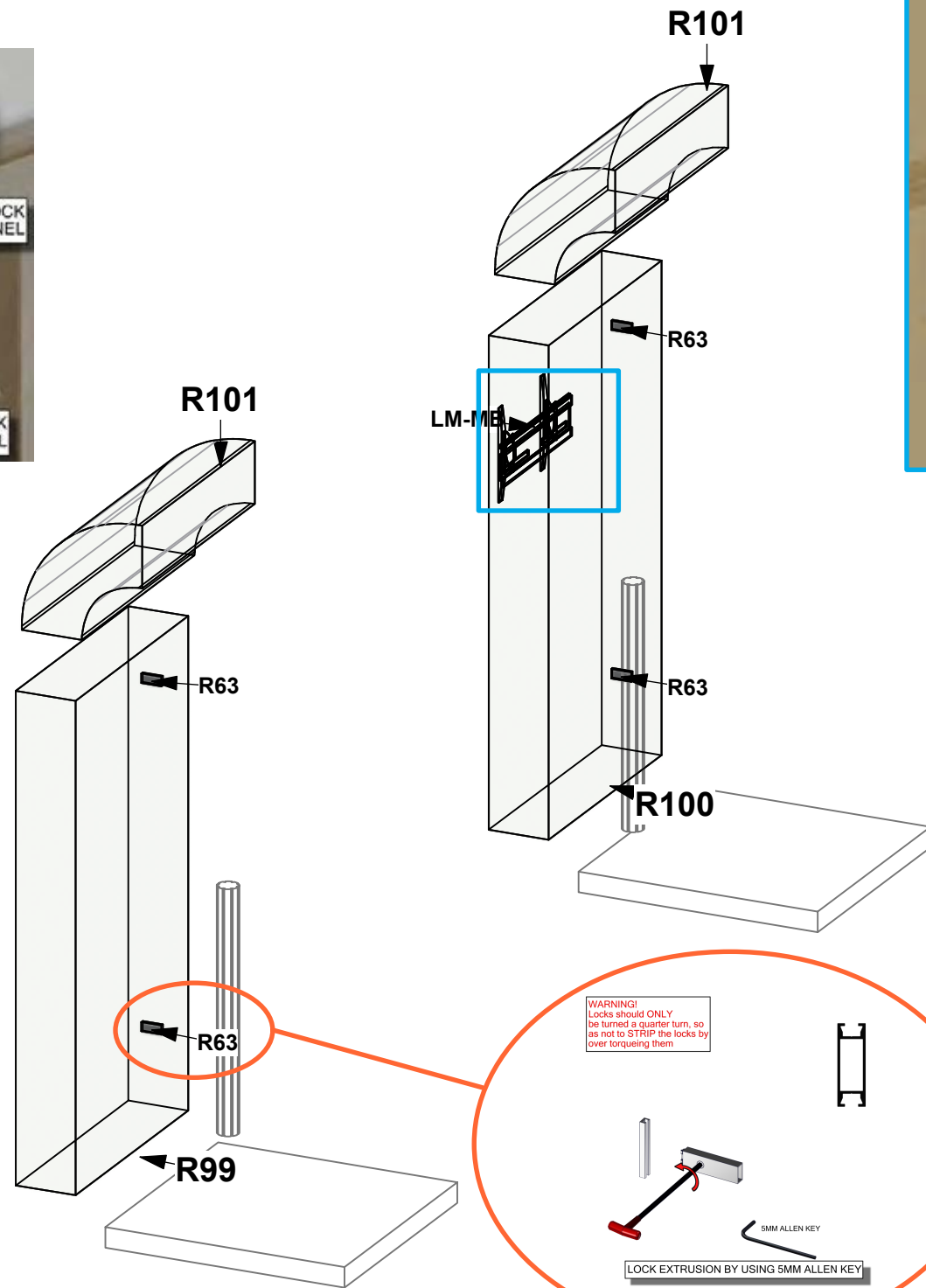
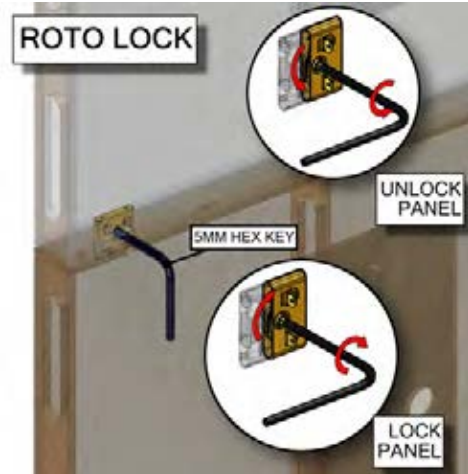


**HYBRID PRO RENTAL KIT**

Title: SET-UP INSTRUCTIONS

**BUILD 4 UNITS**

Code	#	Description
R100	2	2400MM X 1200MM X 300MM CUSTOM WOOD PA
R99	2	2400MM X 1200MM X 300MM CUSTOM WOOD PA
R101	4	1200MM X 600MM X 600MM CURVED WOOD PAN
LM-MB	2	LARGE MONITOR MOUNTING BRACKET FOR MO
R63	8	100MM PH WITH LOCKS BOTH ENDS

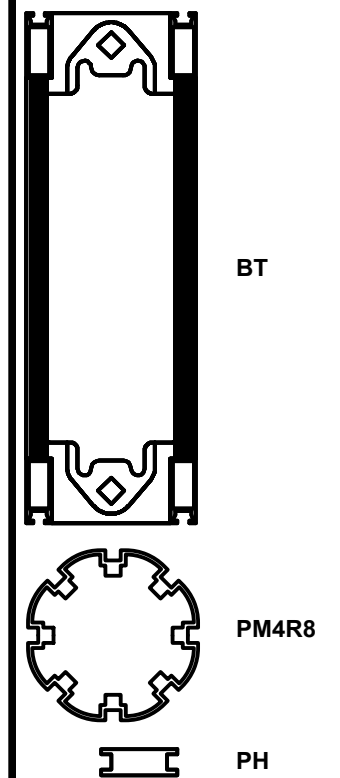


1. Redesign of this exhibit without approval by manufacturer may result in dangerous and unsafe structures. Manufacturer disclaims any responsibility for redesigned exhibits it does not approve in writing.

2. Parts and components such as panels and extrusions are manufactured to metric sizing. Where ever possible sizes have been noted in feet and inches as well as in metric. Below is the imperial to metric sizing table as reference. "Nominal" refers to approximate size.

2400mm = (94 1/2")	Phone Line / Fax
2100mm = (82 5/8")	Internet connection
1800mm = (70 7/8")	Outlet
1500mm = (59")	Main Drop (point of distrution)
1200mm = (47 1/4")	
900mm = (35 1/2")	
600mm = (23 5/8")	
300mm = (11 7/8")	

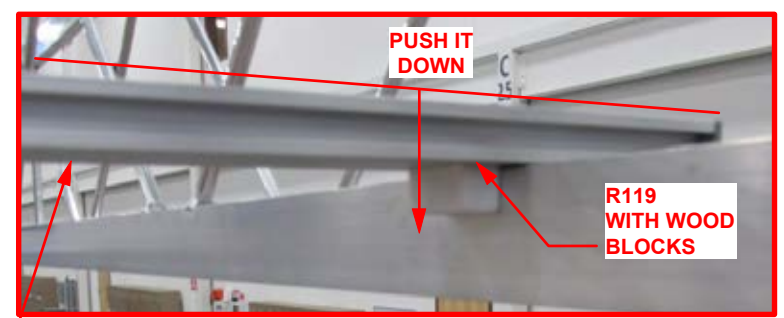
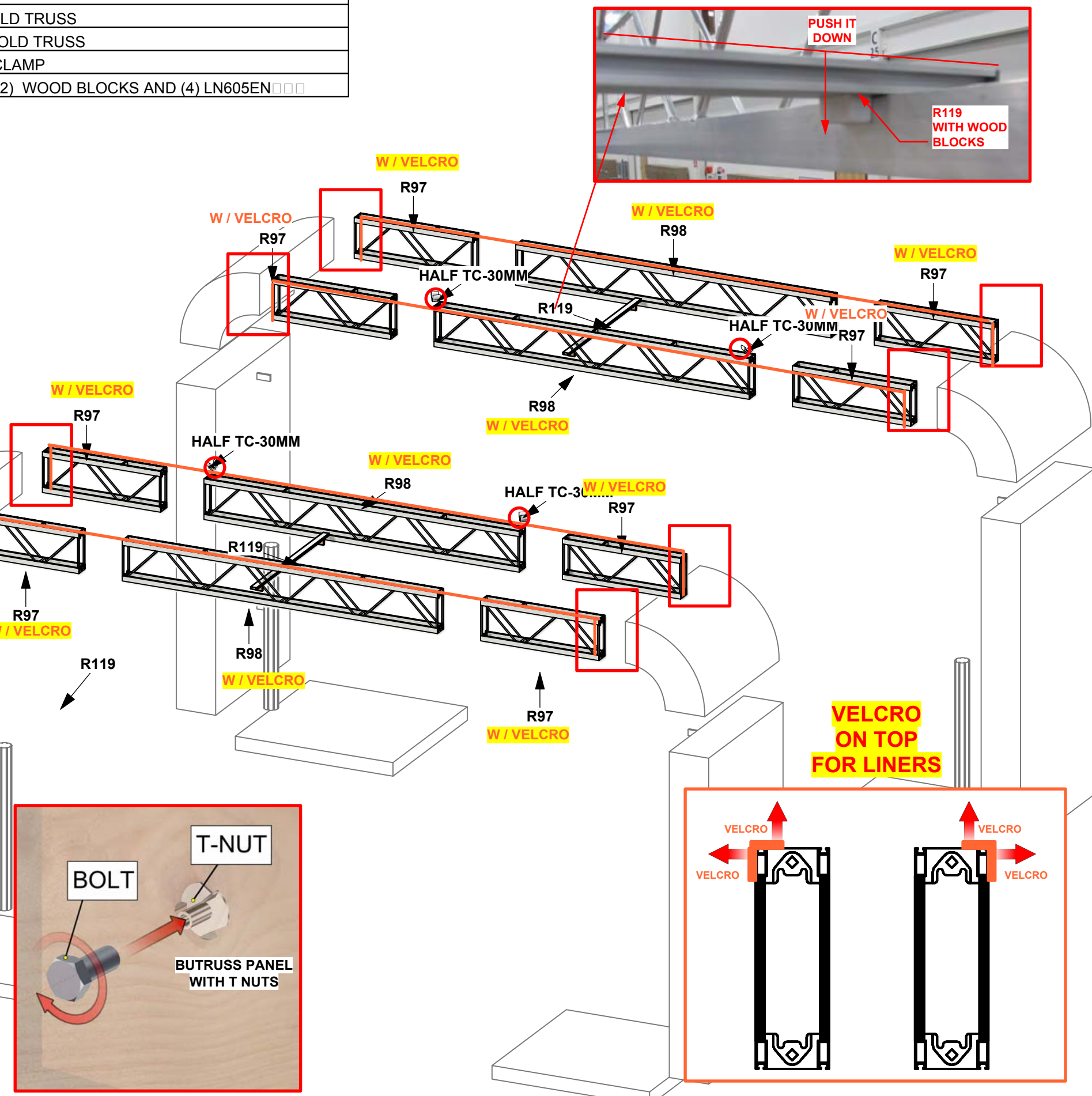
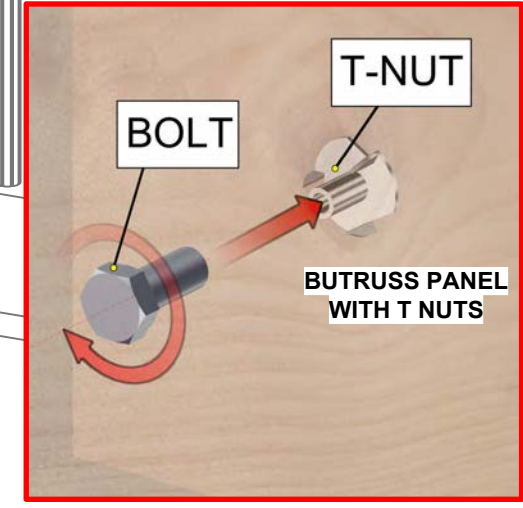
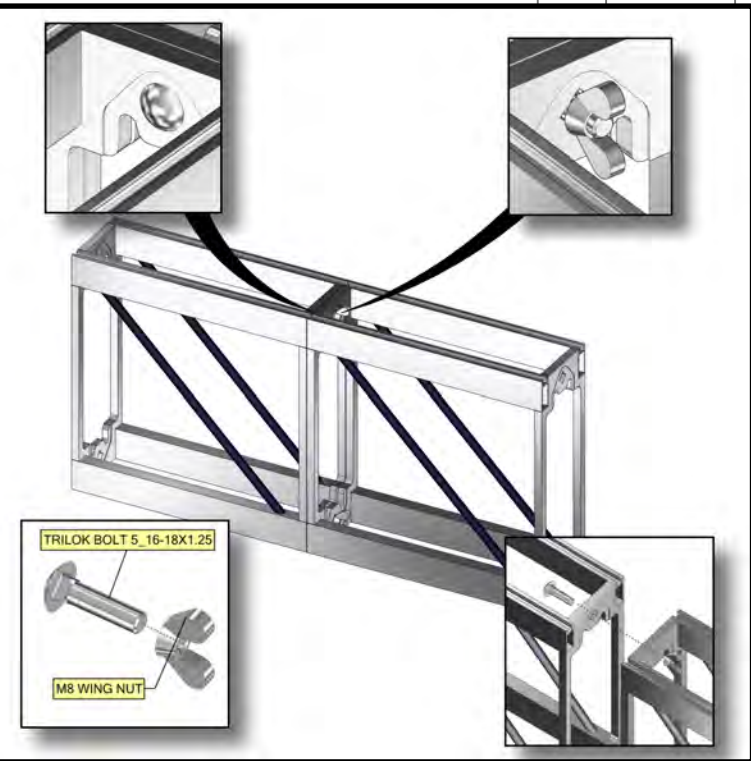
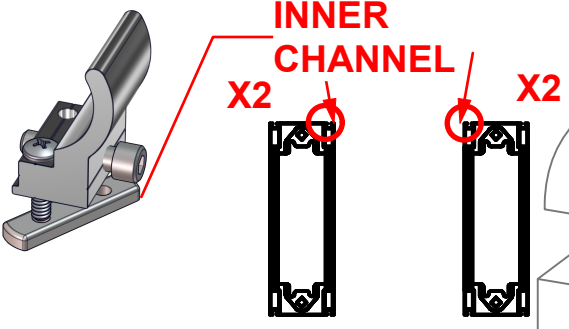
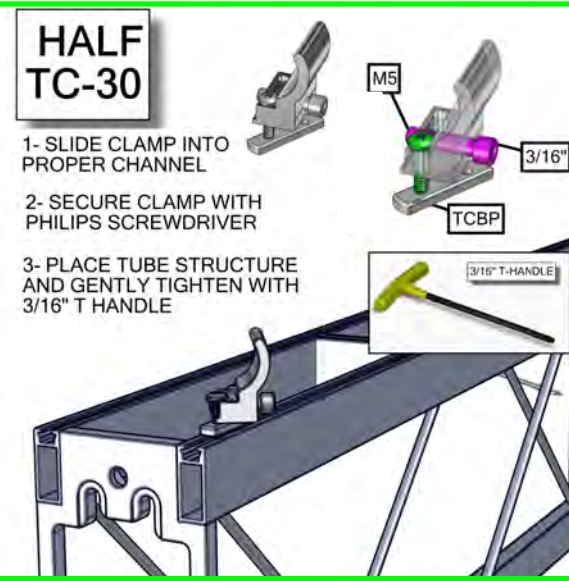
--- Wire running under carpet



HYBRID PRO RENTAL KIT

Title: SET-UP INSTRUCTIONS

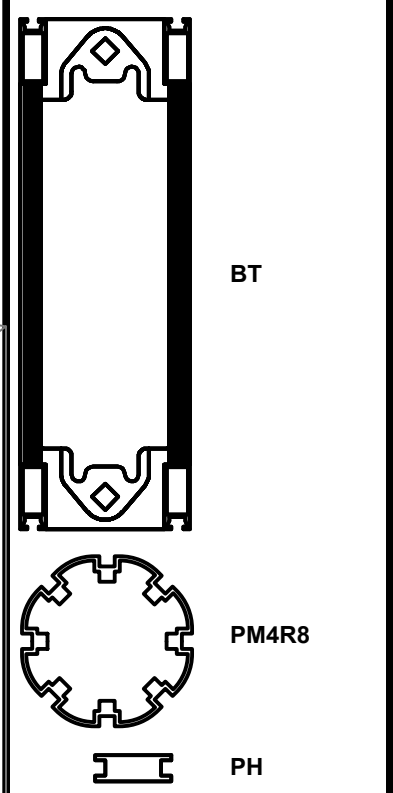
Code	#	Description
R97	8	900MM (3FT NOMINAL) MILL FINISH BOLD TRUSS
R98	4	2400MM (8FT NOMINAL) MILL FINISH BOLD TRUSS
HALF TC-30MM	4	SILVER ANODIZE FINISH 30MM TUBE CLAMP
R119	2	1170MM(46.06") PH EXTRUSION WITH(2) WOOD BLOCKS AND (4) LN605EN□□□



1. Redesign of this exhibit without approval by manufacturer may result in dangerous and unsafe structures. Manufacturer disclaims any responsibility for redesigned exhibits it does not approve in writing.

2. Parts and components such as panels and extrusions are manufactured to metric sizing. Where ever possible sizes have been noted in feet and inches as well as in metric. Below is the imperial to metric sizing table as reference. "Nominal" refers to approximate size.

2400mm = (94 1/2")	Phone Line / Fax
2100mm = (82 5/8")	Internet connection
1800mm = (70 7/8")	Outlet
1500mm = (59")	Main Drop (point of distrution)
1200mm = (47 1/4")	Wire running under carpet
900mm = (35 1/2")	
600mm = (23 5/8")	
300mm = (11 7/8")	



HYBRID PRO RENTAL KIT

Title: SET-UP INSTRUCTIONS



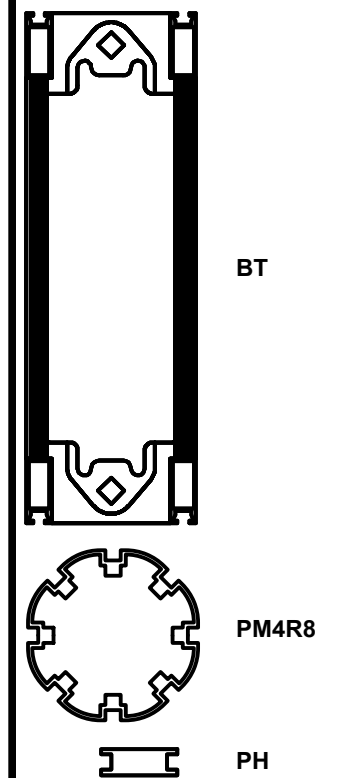
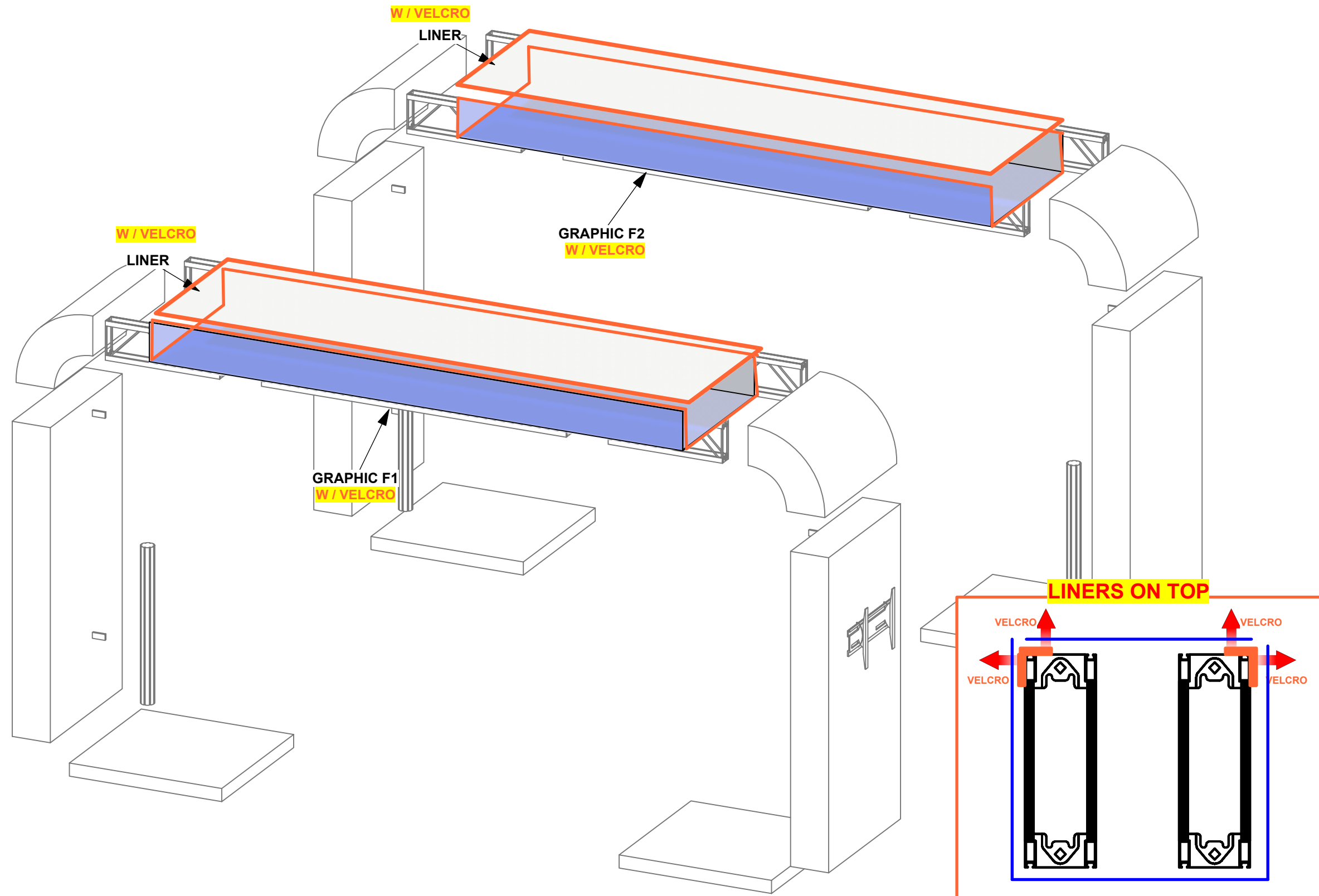
Code	#	Description
GRAPHIC F1	1	55 1/8" (H) X 165 3/8" (W) SINGLE SIDED DYESUB GRAPHIC W/ VELCRO ON BACK PERIMETER. GRAPHIC WR
GRAPHIC F2	1	55 1/8" (H) X 165 3/8" (W) SINGLE SIDED DYESUB GRAPHIC W/ VELCRO ON BACK PERIMETER. GRAPHIC WR
LINER	2	47 1/4" X 165 3/8" UNPRINTED LINER W/ VELCRO ON BACK PERIMETER. GRAPHIC WRAPS ON 3 SIDES

1. Redesign of this exhibit without approval by manufacturer may result in dangerous and unsafe structures. Manufacturer disclaims any responsibility for redesigned exhibits it does not approve in writing.

2. Parts and components such as panels and extrusions are manufactured to metric sizing. Where ever possible sizes have been noted in feet and inches as well as in metric. Below is the imperial to metric sizing table as reference. "Nominal" refers to approximate size.

2400mm = (94 1/2")	▼ Phone Line / Fax
2100mm = (82 5/8")	⚡ Internet connection
1800mm = (70 7/8")	⚡ Outlet
1500mm = (59")	⚡ Main Drop (point of distrution)
1200mm = (47 1/4")	
900mm = (35 1/2")	
600mm = (23 5/8")	
300mm = (11 7/8")	

--- Wire running under carpet



HYBRID PRO RENTAL KIT

Title: SET-UP INSTRUCTIONS

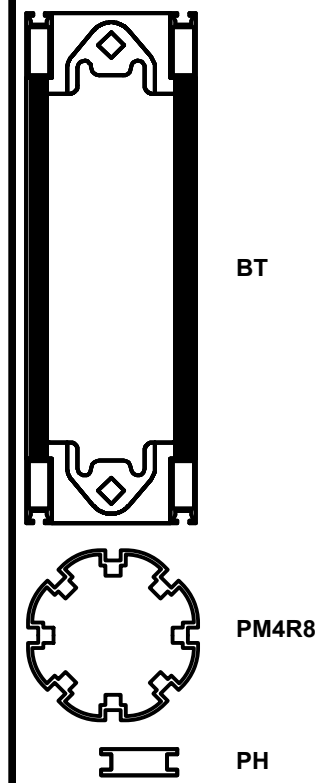
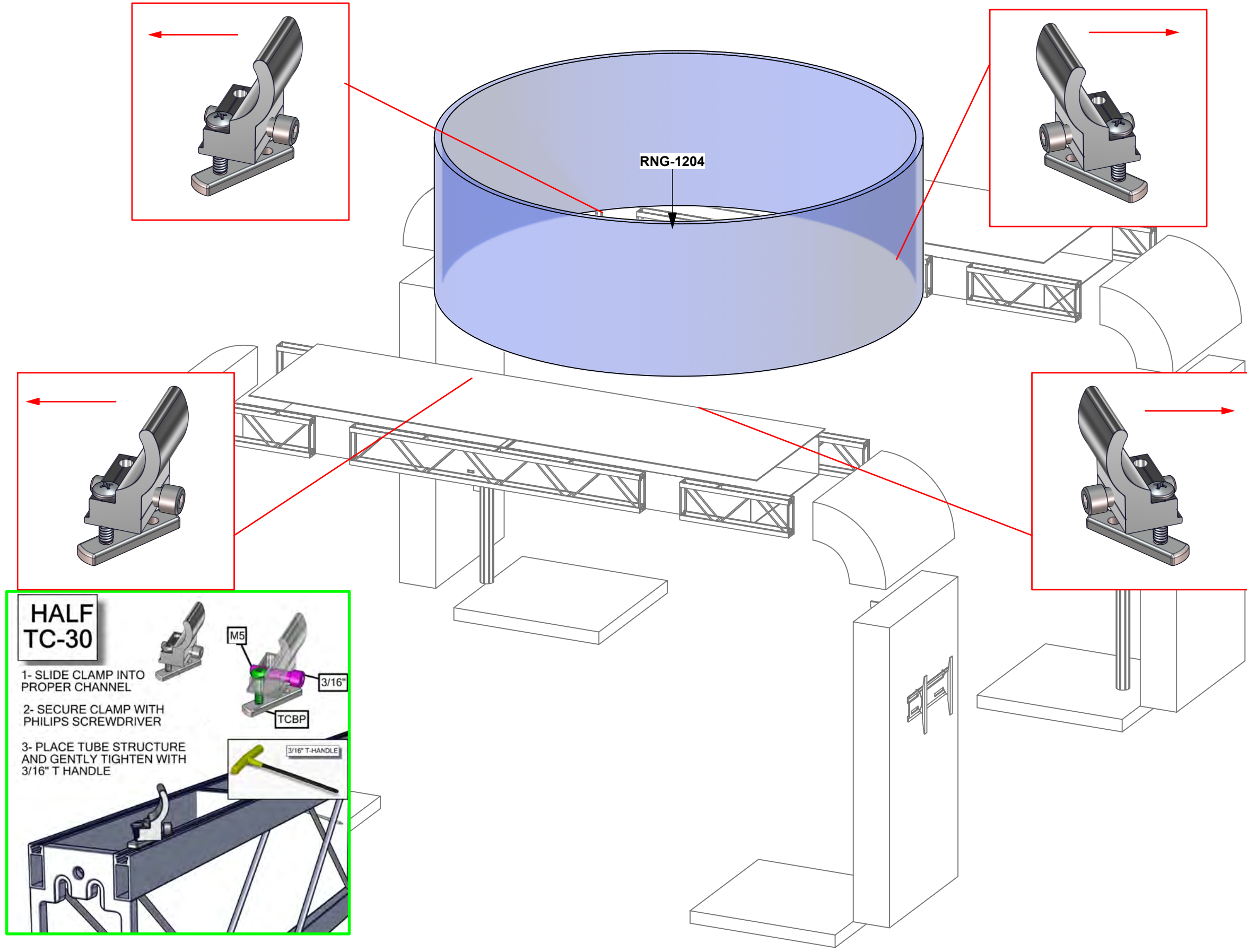
Code	#	Description
RNG-1204	1	STANDARD FABRIC STRUCTURE

1. Redesign of this exhibit without approval by manufacturer may result in dangerous and unsafe structures. Manufacturer disclaims any responsibility for redesigned exhibits it does not approve in writing.

2. Parts and components such as panels and extrusions are manufactured to metric sizing. Where ever possible sizes have been noted in feet and inches as well as in metric. Below is the imperial to metric sizing table as reference. "Nominal" refers to approximate size.

2400mm = (94 1/2")	Phone Line / Fax
2100mm = (82 5/8")	Internet connection
1800mm = (70 7/8")	Outlet
1500mm = (59")	Main Drop (point of distrution)
1200mm = (47 1/4")	
900mm = (35 1/2")	
600mm = (23 5/8")	
300mm = (11 7/8")	

--- Wire running under carpet



**HALF TC-30**

- 1- SLIDE CLAMP INTO PROPER CHANNEL
- 2- SECURE CLAMP WITH PHILIPS SCREWDRIVER
- 3- PLACE TUBE STRUCTURE AND GENTLY TIGHTEN WITH 3/16" T-HANDLE

**HYBRID PRO RENTAL KIT**

Title: SET-UP INSTRUCTIONS

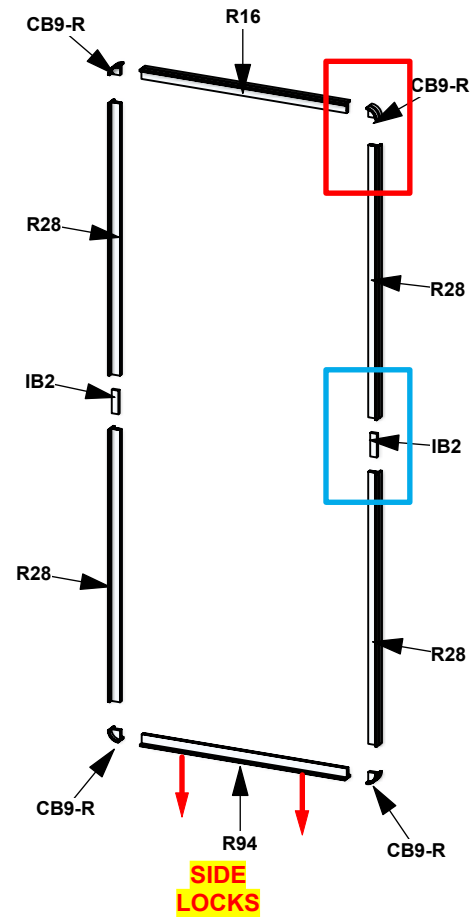
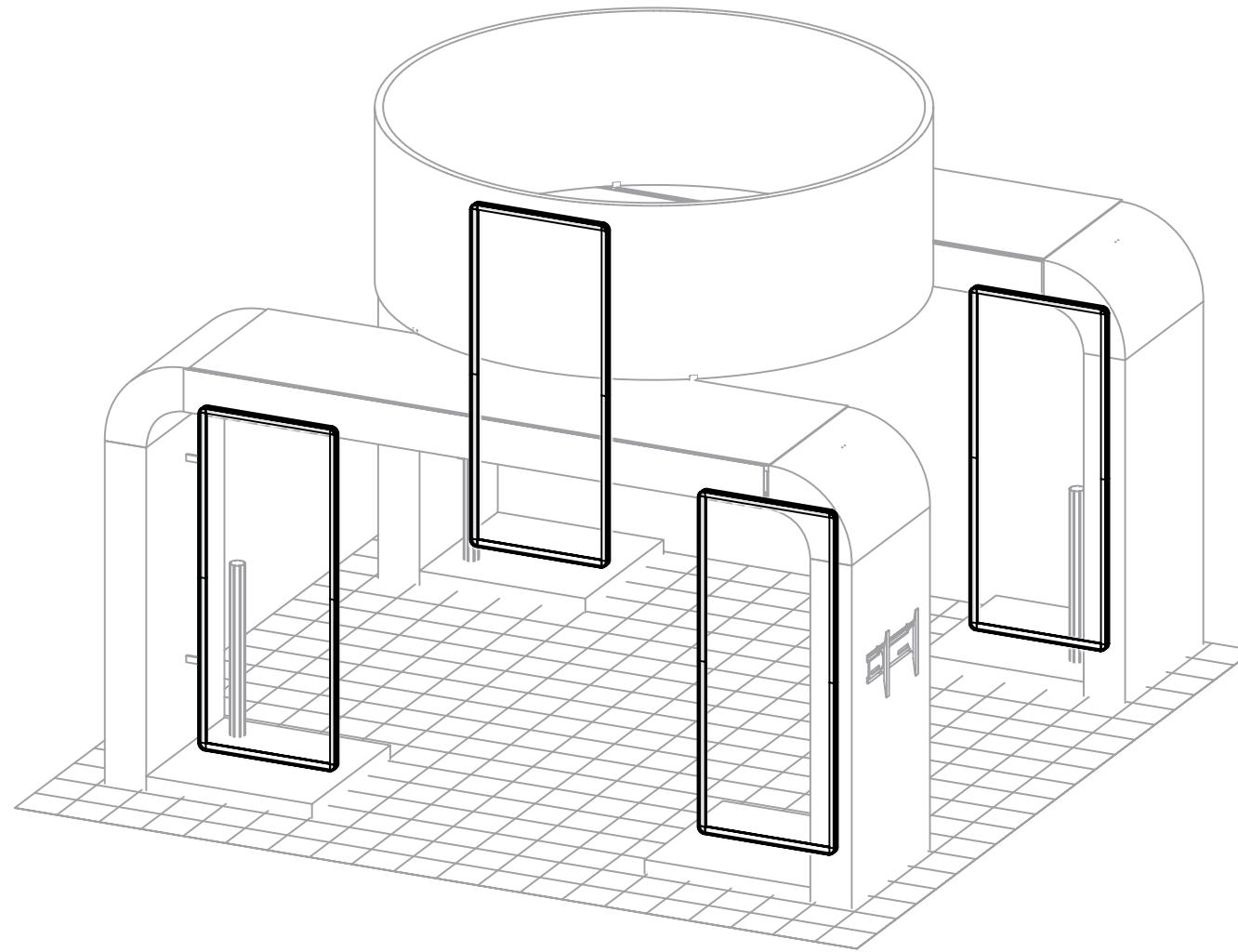
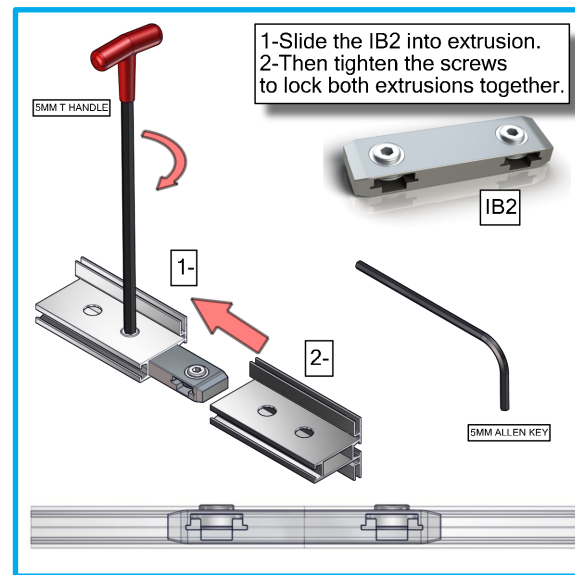
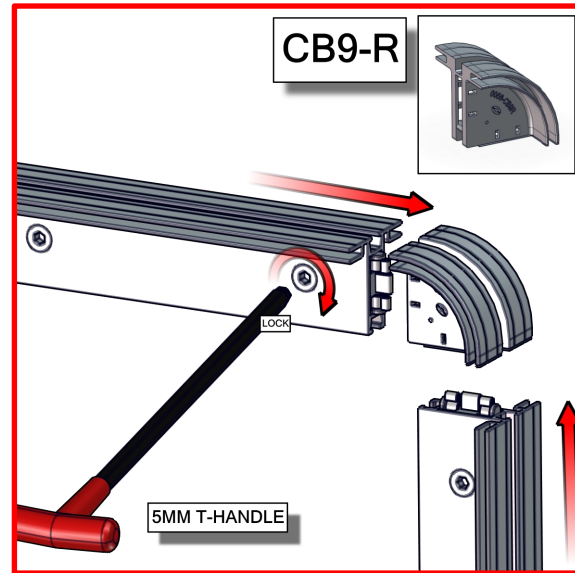
Code	#	Description
R16	4	900MM (35.43") PHFC2 EXTRUSION WITH LOCKS
IB2	8	PH INLINE CONNECTOR
CB9-R	16	50MM ROUND PHFC2 CORNER BRACKET
R28	16	1155MM (45.47") PHFC2 EXTRUSION WITH IB2 HOLES
R94	4	900MM (35.43") PHFC2 EXTRUSION WITH LOCKS

1. Redesign of this exhibit without approval by manufacturer may result in dangerous and unsafe structures. Manufacturer disclaims any responsibility for redesigned exhibits it does not approve in writing.

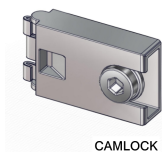
2. Parts and components such as panels and extrusions are manufactured to metric sizing. Where ever possible sizes have been noted in feet and inches as well as in metric. Below is the imperial to metric sizing table as reference. "Nominal" refers to approximate size.

2400mm = (94 1/2")	Phone Line / Fax
2100mm = (82 5/8")	Internet connection
1800mm = (70 7/8")	Outlet
1500mm = (59")	Main Drop (point of distrution)
1200mm = (47 1/4")	
900mm = (35 1/2")	
600mm = (23 5/8")	
300mm = (11 7/8")	

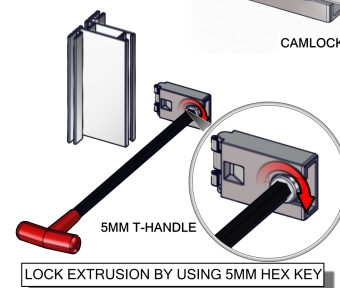
--- Wire running under carpet



**LOCK FRAME TO BASE**

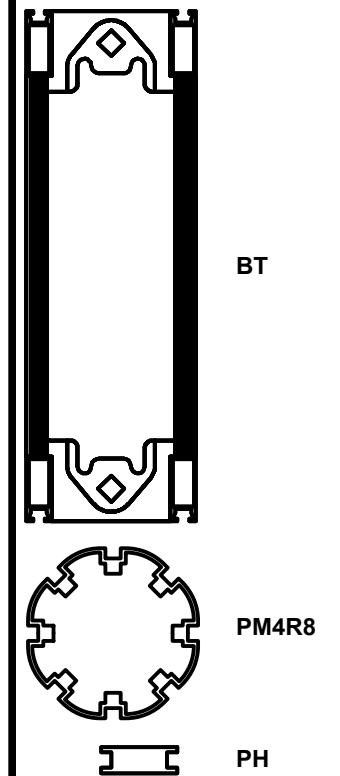
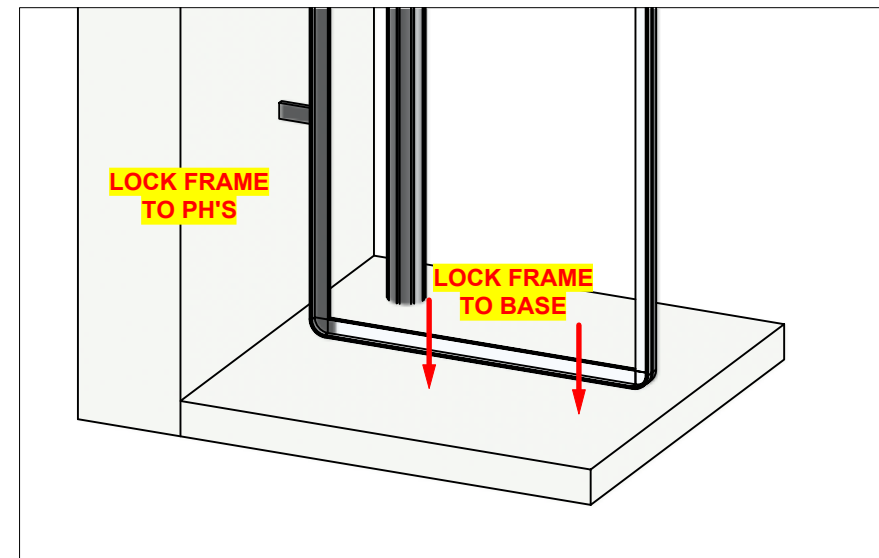


**WARNING!**  
Locks should ONLY be turned a quarter turn, so as not to STRIP the locks by over torquing them



**LOCK FRAME TO PH'S**

**LOCK FRAME TO BASE**

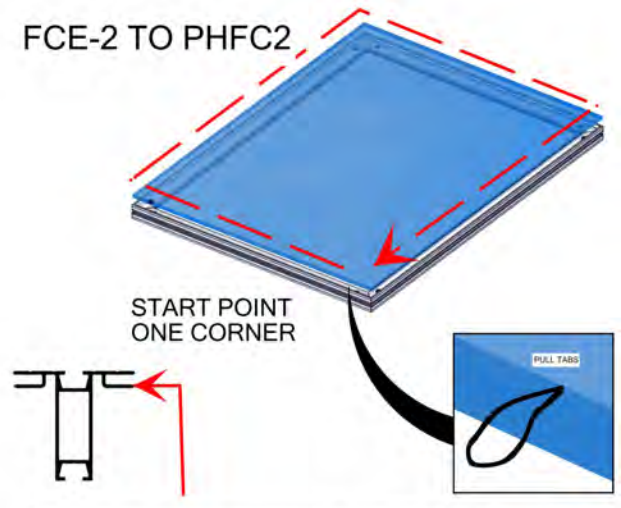
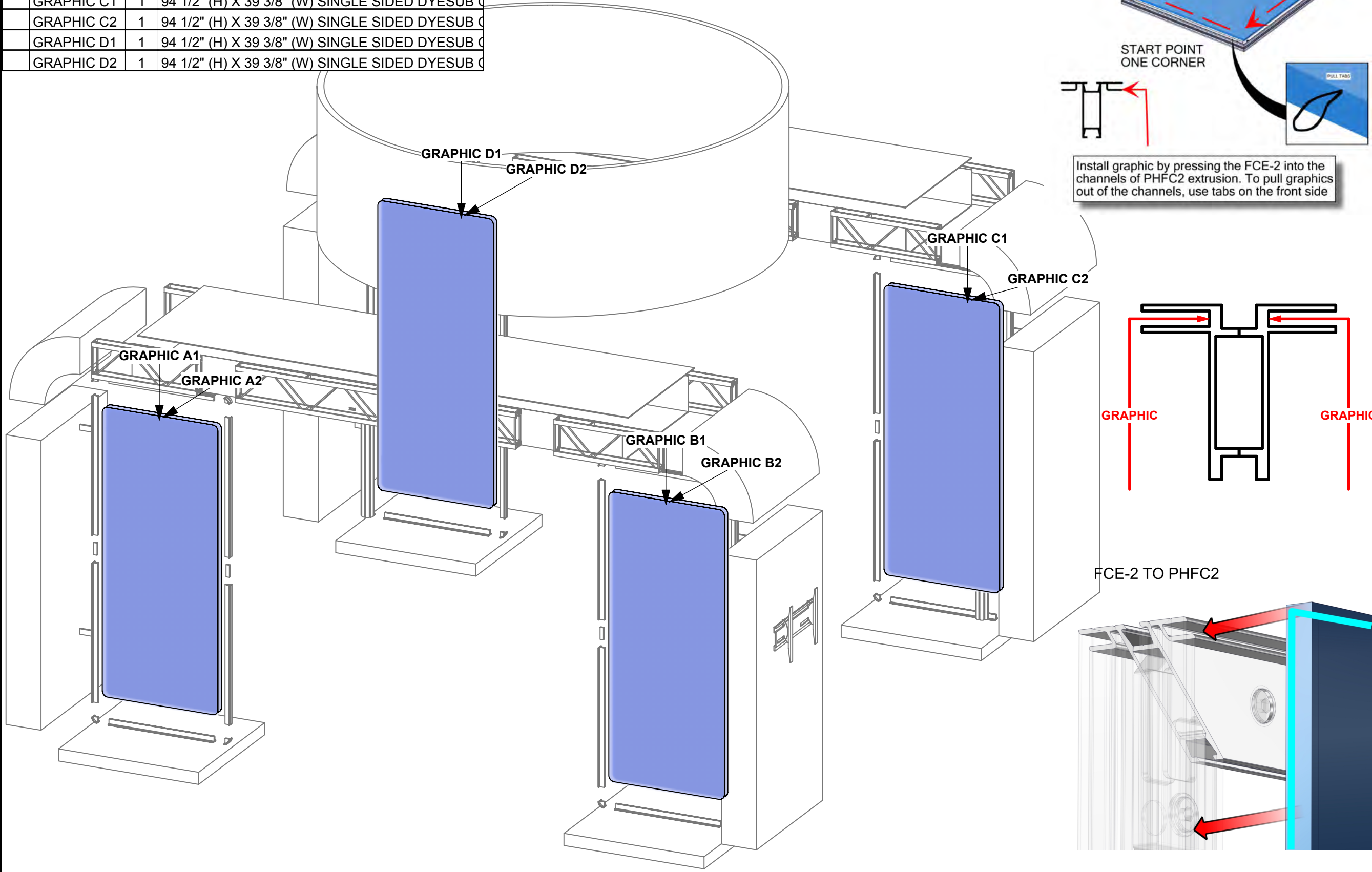


**HYBRID PRO RENTAL KIT**

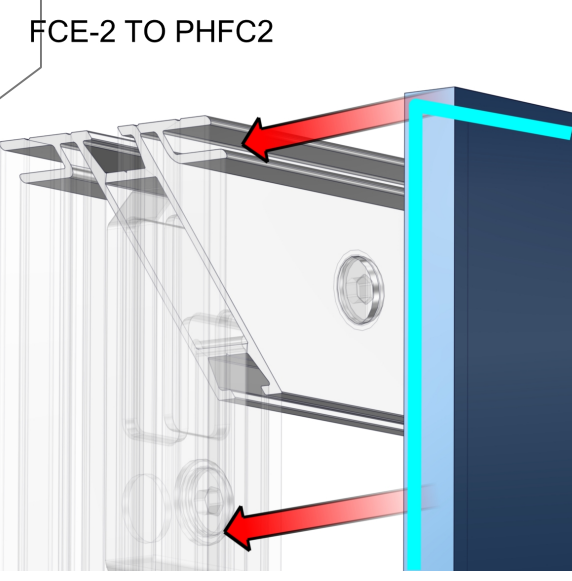
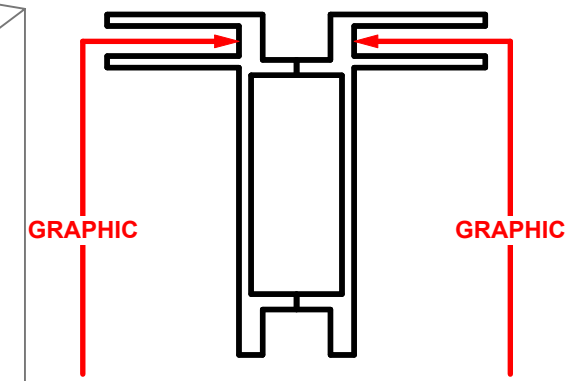
Title: SET-UP INSTRUCTIONS

**BUILD 4 UNITS AND LOCK THEM IN PLACE**

Code	#	Description
GRAPHIC B2	1	94 1/2" (H) X 39 3/8" (W) SINGLE SIDED DYESUB C
GRAPHIC B1	1	94 1/2" (H) X 39 3/8" (W) SINGLE SIDED DYESUB C
GRAPHIC A2	1	94 1/2" (H) X 39 3/8" (W) SINGLE SIDED DYESUB C
GRAPHIC A1	1	94 1/2" (H) X 39 3/8" (W) SINGLE SIDED DYESUB C
GRAPHIC C1	1	94 1/2" (H) X 39 3/8" (W) SINGLE SIDED DYESUB C
GRAPHIC C2	1	94 1/2" (H) X 39 3/8" (W) SINGLE SIDED DYESUB C
GRAPHIC D1	1	94 1/2" (H) X 39 3/8" (W) SINGLE SIDED DYESUB C
GRAPHIC D2	1	94 1/2" (H) X 39 3/8" (W) SINGLE SIDED DYESUB C



Install graphic by pressing the FCE-2 into the channels of PHFC2 extrusion. To pull graphics out of the channels, use tabs on the front side

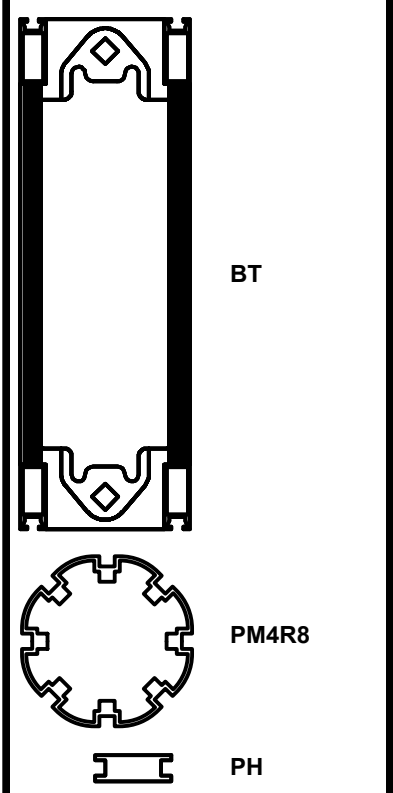


1. Redesign of this exhibit without approval by manufacturer may result in dangerous and unsafe structures. Manufacturer disclaims any responsibility for redesigned exhibits it does not approve in writing.

2. Parts and components such as panels and extrusions are manufactured to metric sizing. Where ever possible sizes have been noted in feet and inches as well as in metric. Below is the imperial to metric sizing table as reference. "Nominal" refers to approximate size.

2400mm = (94 1/2")	☒ Phone Line / Fax
2100mm = (82 5/8")	☒ Internet connection
1800mm = (70 7/8")	☒ Outlet
1500mm = (59")	☒ Main Drop (point of distrution)
1200mm = (47 1/4")	
900mm = (35 1/2")	
600mm = (23 5/8")	
300mm = (11 7/8")	

--- Wire running under carpet



**HYBRID PRO RENTAL KIT**

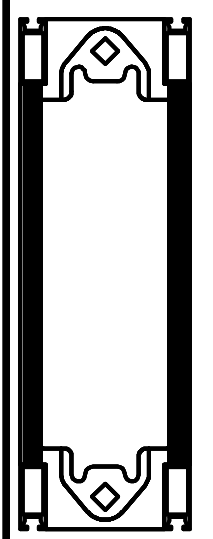
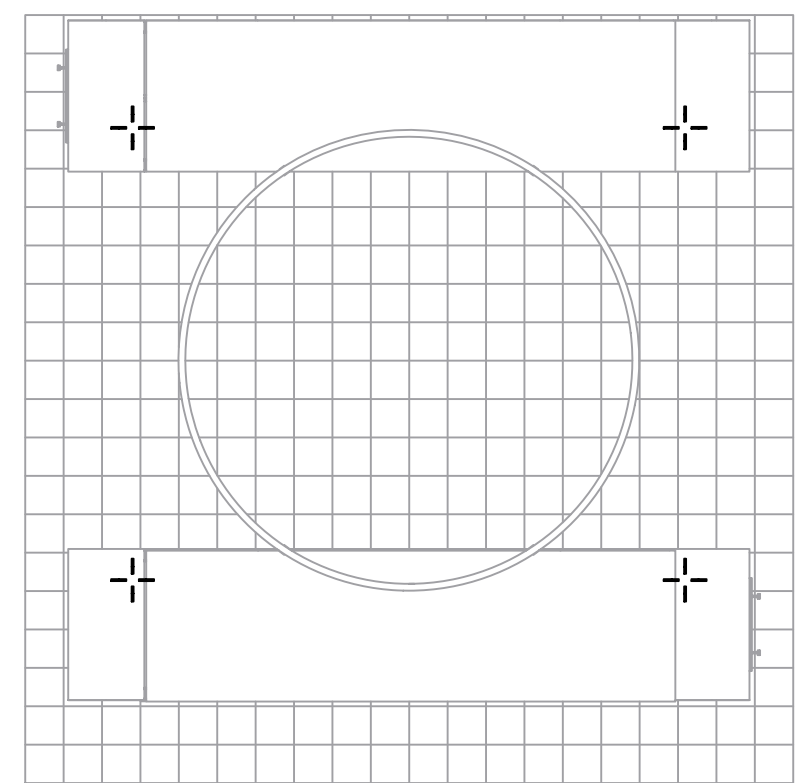
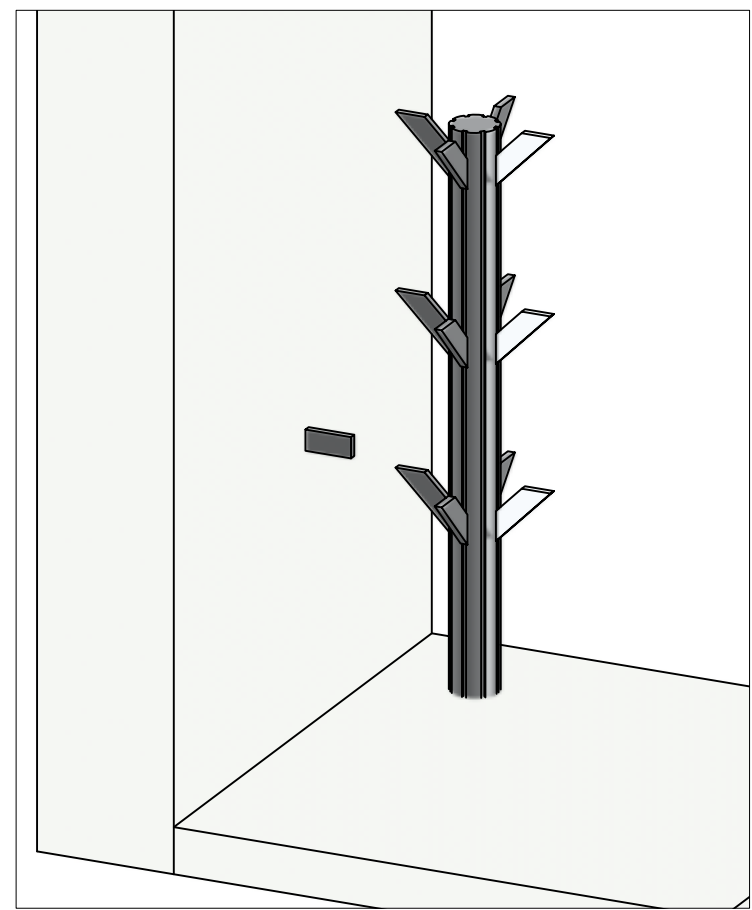
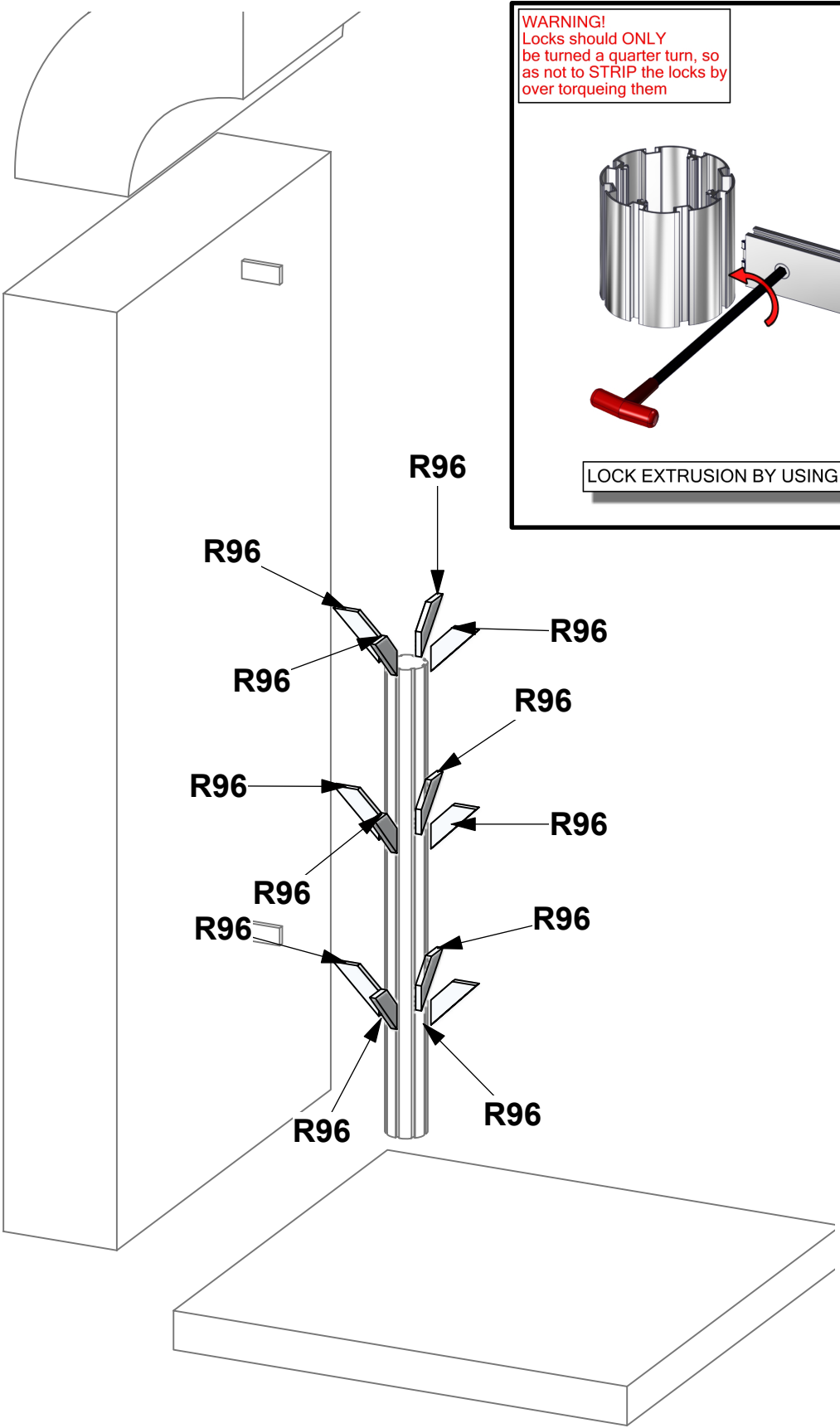
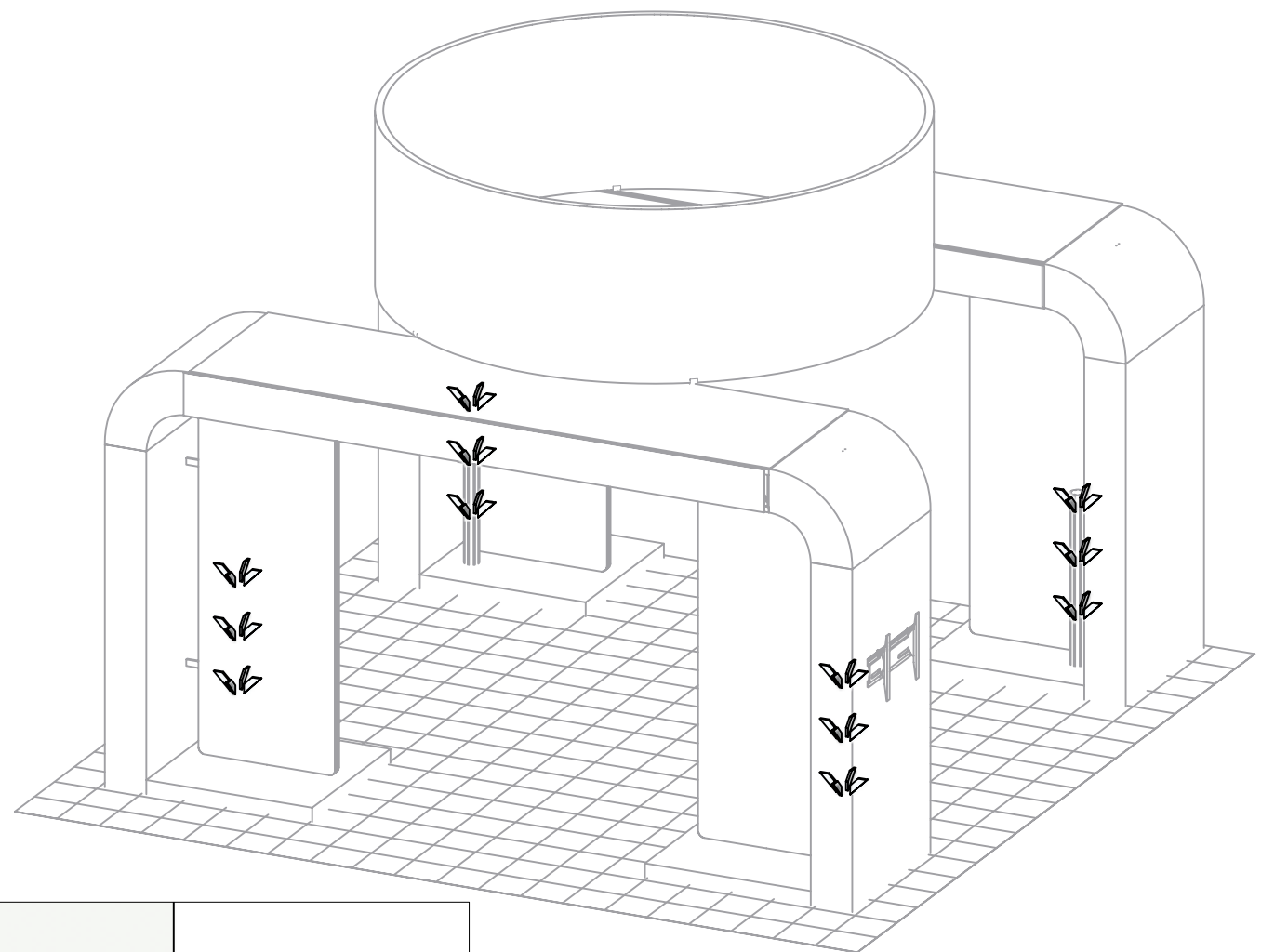
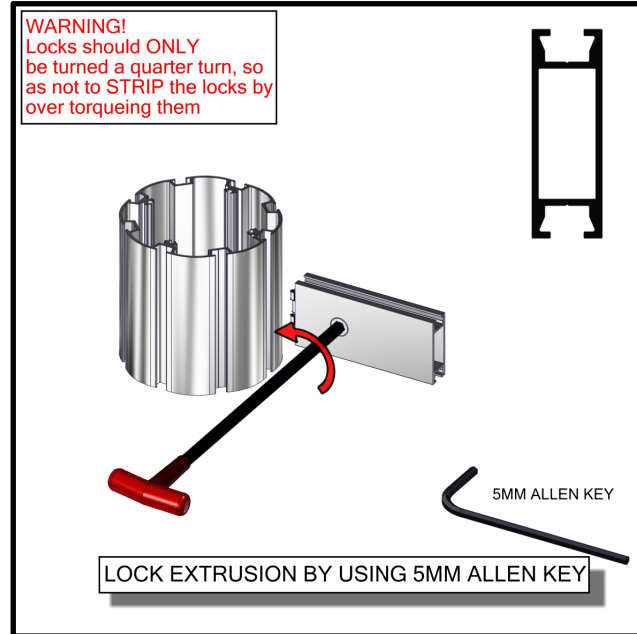
Title: SET-UP INSTRUCTIONS

Code	#	Description
R96	48	170MM (6.69") PH GUSSET EXTRUSION MITER CUT

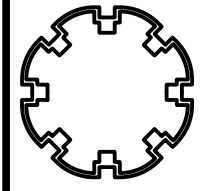
1. Redesign of this exhibit without approval by manufacturer may result in dangerous and unsafe structures. Manufacturer disclaims any responsibility for redesigned exhibits it does not approve in writing.

2. Parts and components such as panels and extrusions are manufactured to metric sizing. Where ever possible sizes have been noted in feet and inches as well as in metric. Below is the imperial to metric sizing table as reference. "Nominal" refers to approximate size.

- 2400mm = (94 1/2")
  - 2100mm = (82 5/8")
  - 1800mm = (70 7/8")
  - 1500mm = (59")
  - 1200mm = (47 1/4")
  - 900mm = (35 1/2")
  - 600mm = (23 5/8")
  - 300mm = (11 7/8")
- Phone Line / Fax
  - Internet connection
  - Outlet
  - Main Drop (point of distrution)
  - Wire running under carpet



BT



PM4R8



PH

HYBRID PRO RENTAL KIT

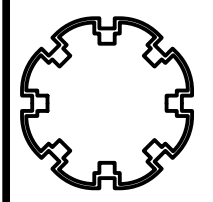
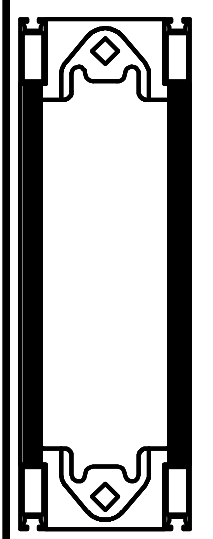
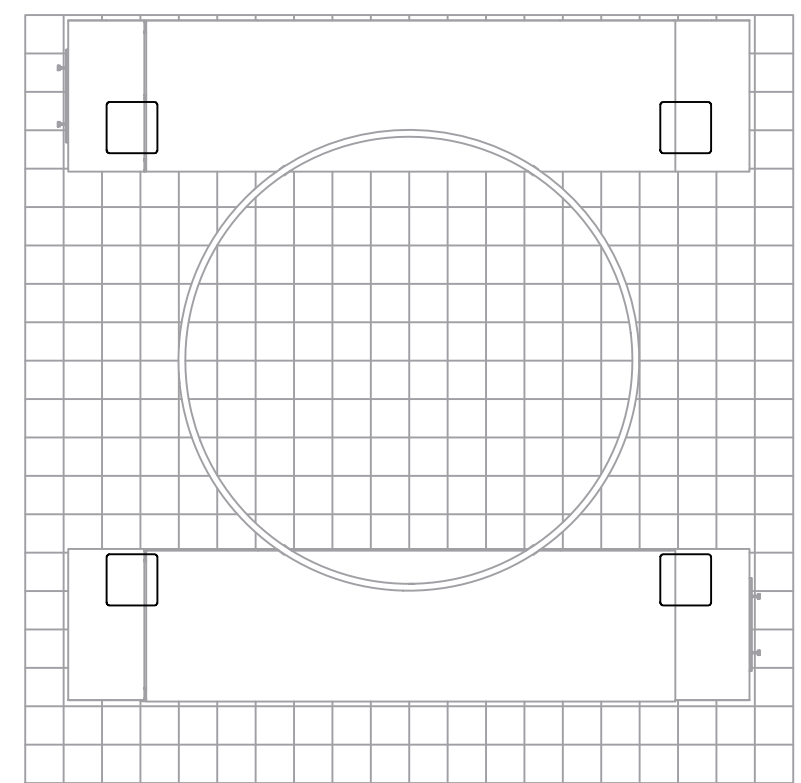
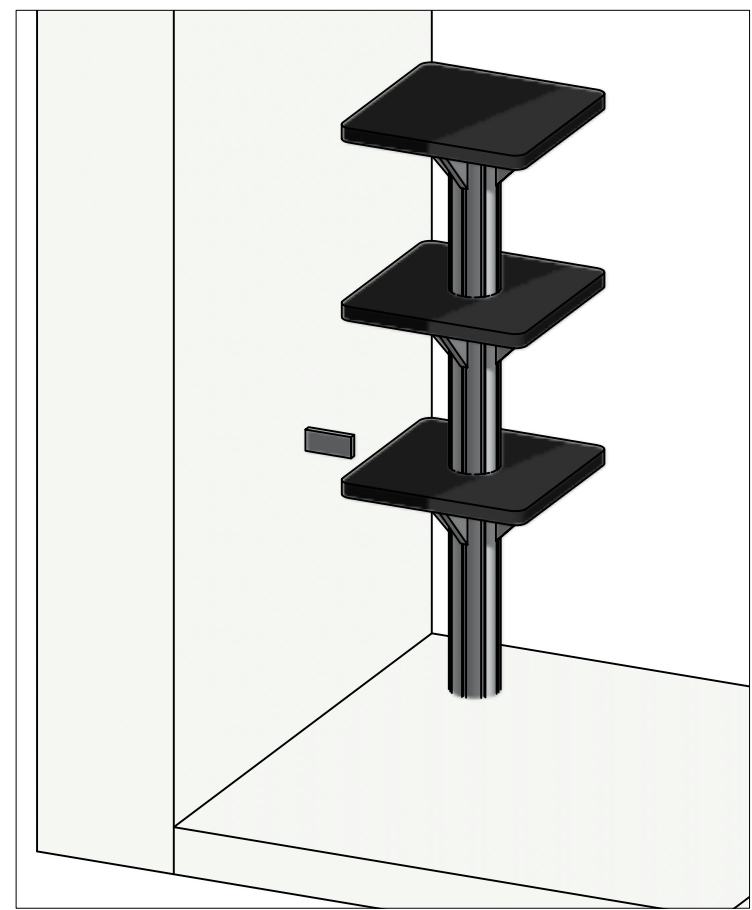
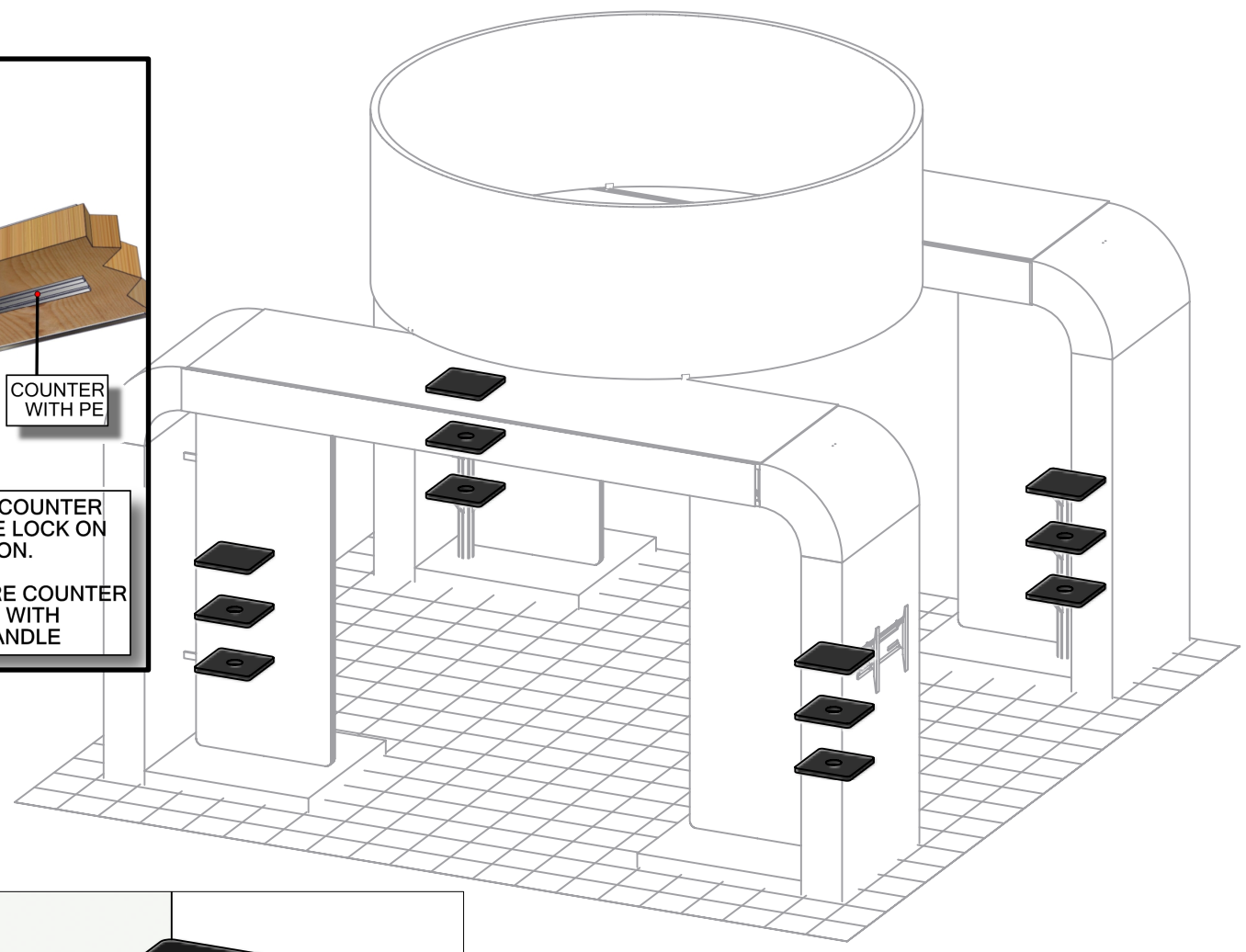
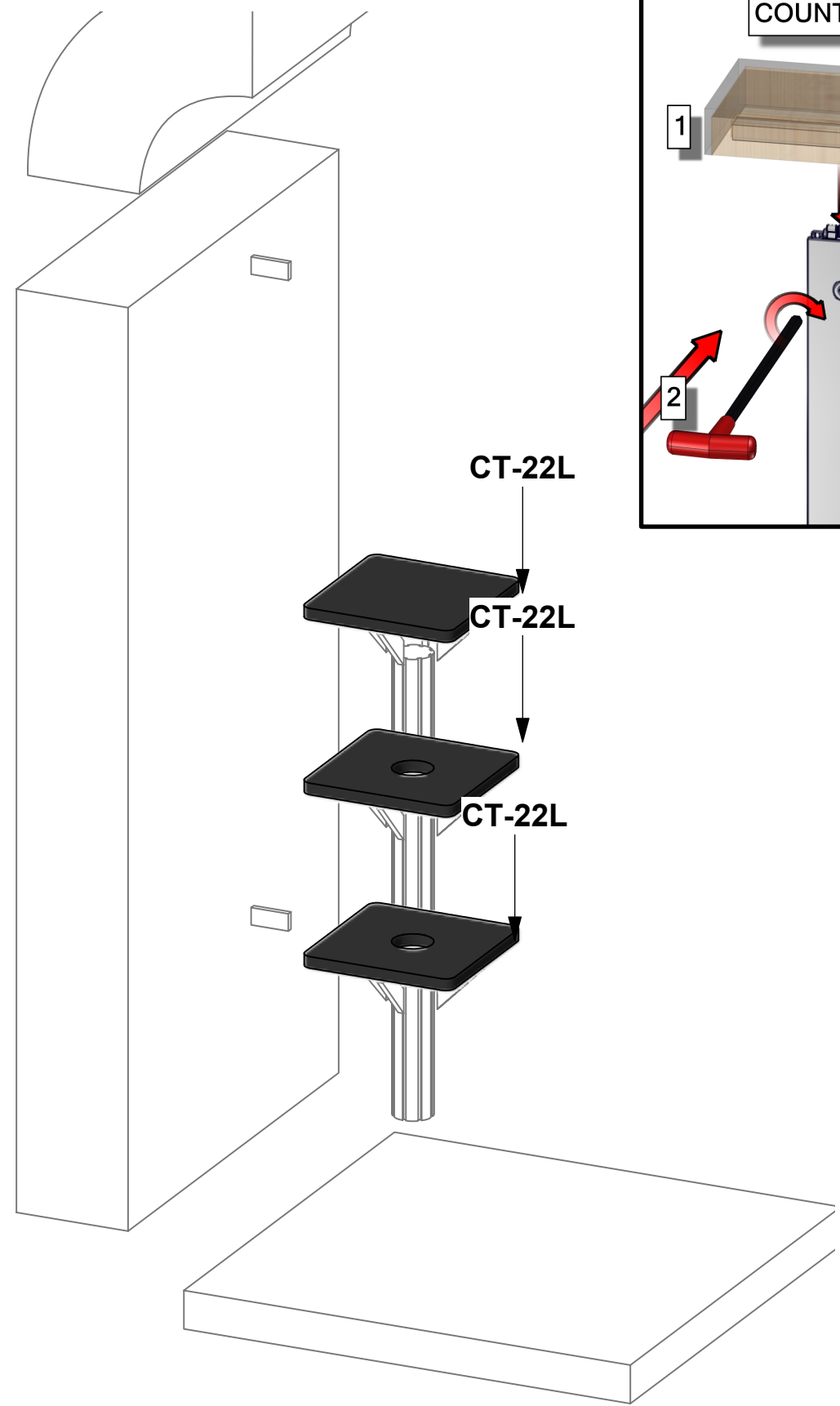
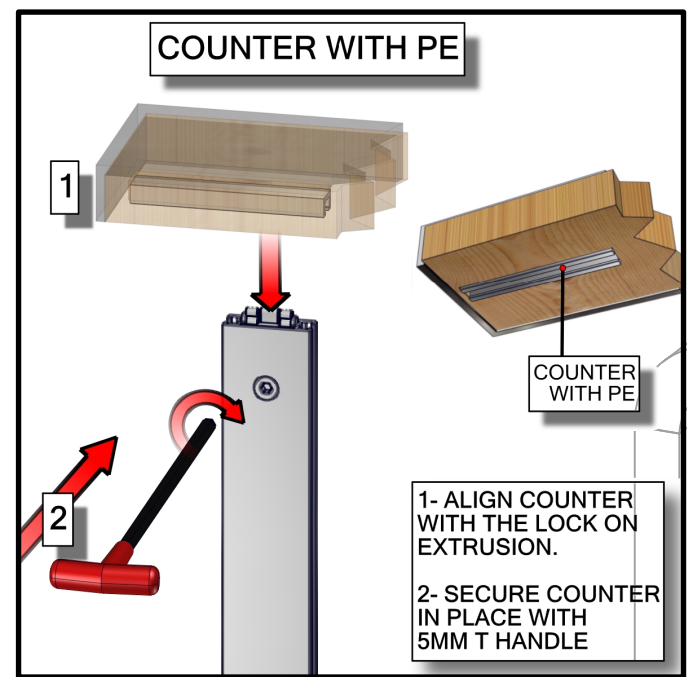
Title: SET-UP INSTRUCTIONS

Code	#	Description
CT-22L	4	406MM X 406MM X 30MM LAMINATE COUNTER T
CT-22L	8	406MM X 406MM X 30MM LAMINATE COUNTER T

1. Redesign of this exhibit without approval by manufacturer may result in dangerous and unsafe structures. Manufacturer disclaims any responsibility for redesigned exhibits it does not approve in writing.

2. Parts and components such as panels and extrusions are manufactured to metric sizing. Where ever possible sizes have been noted in feet and inches as well as in metric. Below is the imperial to metric sizing table as reference. "Nominal" refers to approximate size.

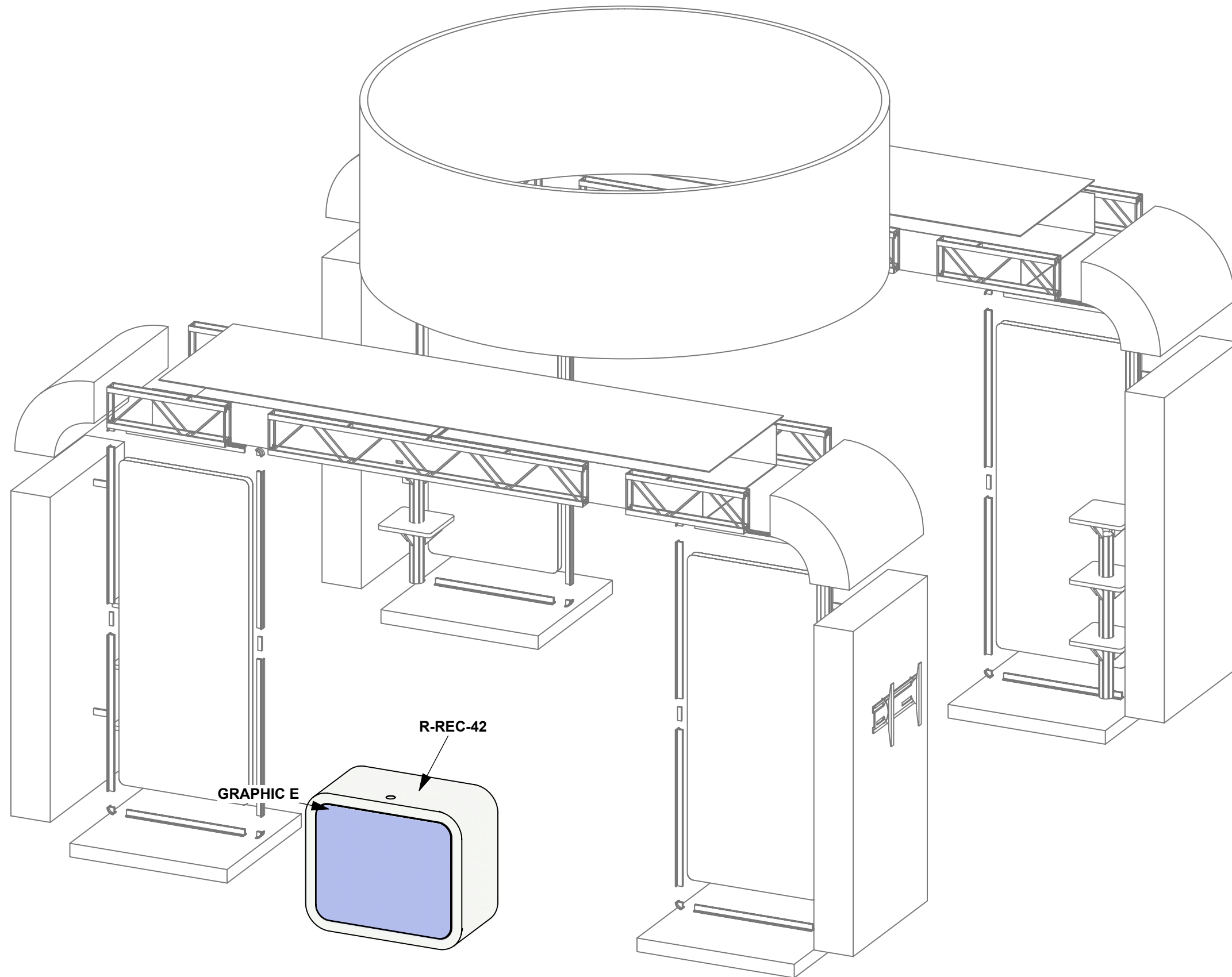
- 2400mm = (94 1/2")
  - 2100mm = (82 5/8")
  - 1800mm = (70 7/8")
  - 1500mm = (59")
  - 1200mm = (47 1/4")
  - 900mm = (35 1/2")
  - 600mm = (23 5/8")
  - 300mm = (11 7/8")
- Phone Line / Fax
  - Internet connection
  - Outlet
  - Main Drop (point of distrution)
- Wire running under carpet



**HYBRID PRO RENTAL KIT**

Title: SET-UP INSTRUCTIONS

Code	#	Description
R-REC-42	1	40" (V) X 23" X 47" CUSTOM COUNTER WITH FRO
GRAPHIC E	1	32 5/16" (H) X 39 3/8" (W) BACKLIT DSG GRAPHIC
FL421	3	21" FLUORESCENT SINGLE BULB LIGHT

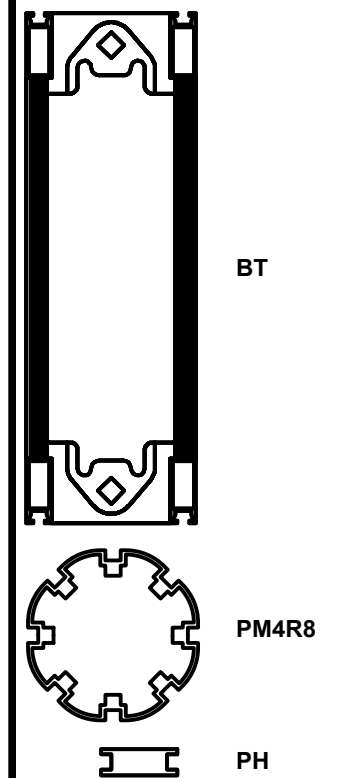


1. Redesign of this exhibit without approval by manufacturer may result in dangerous and unsafe structures. Manufacturer disclaims any responsibility for redesigned exhibits it does not approve in writing.

2. Parts and components such as panels and extrusions are manufactured to metric sizing. Where ever possible sizes have been noted in feet and inches as well as in metric. Below is the imperial to metric sizing table as reference. "Nominal" refers to approximate size.

2400mm = (94 1/2")	▼ Phone Line / Fax
2100mm = (82 5/8")	▼ Internet connection
1800mm = (70 7/8")	▼ Outlet
1500mm = (59")	▼ Main Drop (point of distrution)
1200mm = (47 1/4")	
900mm = (35 1/2")	
600mm = (23 5/8")	
300mm = (11 7/8")	

--- Wire running under carpet

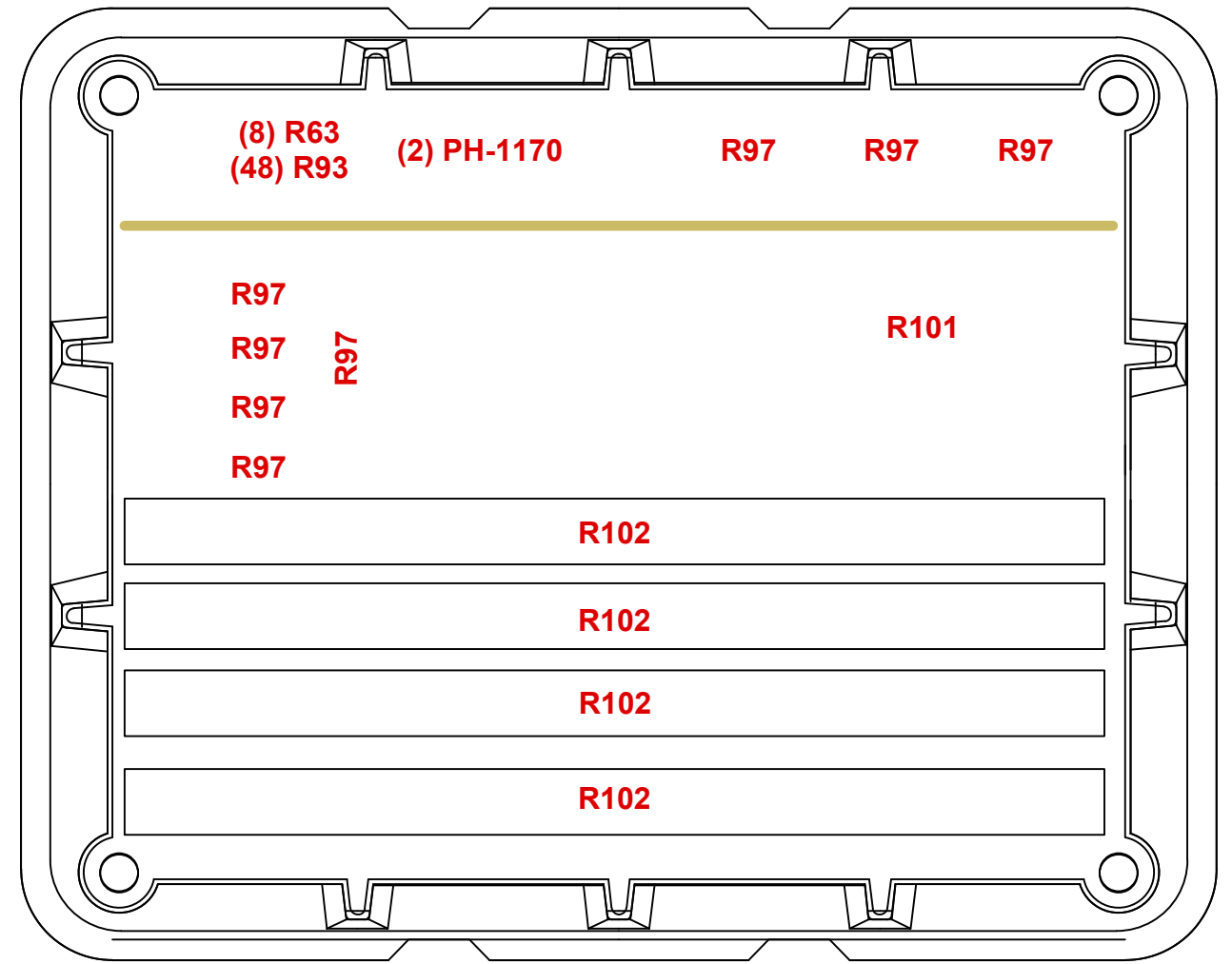


**HYBRID PRO RENTAL KIT**

Title: SET-UP INSTRUCTIONS

# **PACKING INSTRUCTIONS**





# CASE # 1

LEGEND		
	GREY FOAM FOLDED TO FILL EMPTY SPACES OR USED AS PROTECTION	
	1/8" CARDBOARD SPACER (PUT IN BETWEEN EVERY PANEL)	
	DIVIDER	
	1/4" WHITE FOAM (USED AS PROTECTION DOOR PANELS W/ LOCKS)	

INTERNAL DIMS 49"L X 38.5"W X 51"H

EXTERNAL DIMS 59"L X 48"W X 57"H

**NCRATE**







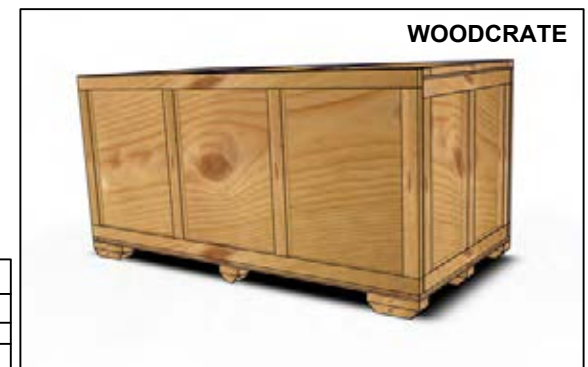
**3** (3) R101, (4) R95

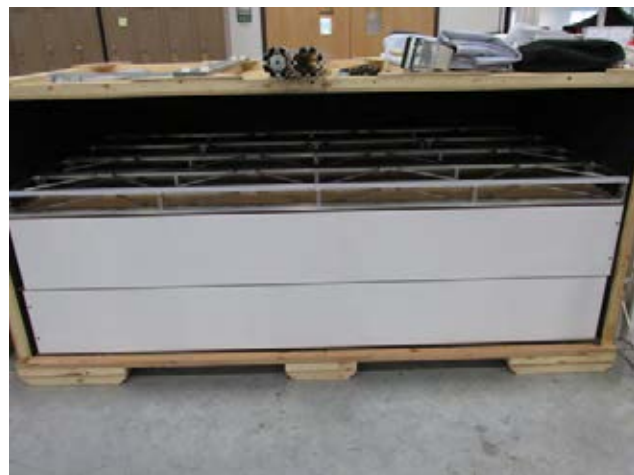
**2** (1) R100

**1** (1) R99

## CASE # 2





<b>LEGEND</b>		GREY FOAM FOLDED TO FILL EMPTY SPACES OR USED AS PROTECTION
		1/8" CARDBOARD SPACER (PUT IN BETWEEN EVERY PANEL)
		DIVIDER
		1/4" WHITE FOAM (USED AS PROTECTION DOOR PANELS W/ LOCKS)





- 8** (12) DYESUB GRAPHICS
- 7** (1) FRAME, (4) CT-22L
- 6** (1) FRAME, (4) CT-22L
- 5** (1) FRAME, (4) CT-22L
- 4** (1) FRAME, (4) CT-22L
- 3** (4) R98
- 2** (1) R100
- 1** (1) R99

# CASE # 3





<b>LEGEND</b>		GREY FOAM FOLDED TO FILL EMPTY SPACES OR USED AS PROTECTION
		1/8" CARDBOARD SPACER (PUT IN BETWEEN EVERY PANEL)
		DIVIDER
		1/4" WHITE FOAM (USED AS PROTECTION DOOR PANELS W/ LOCKS)





**1 (1) RING STRUCTURE, (1) PILLOWCASE GRAPHIC**

# OCE CASE

<b>LEGEND</b>		GREY FOAM FOLDED TO FILL EMPTY SPACES OR USED AS PROTECTION
		1/8" CARDBOARD SPACER (PUT IN BETWEEN EVERY PANEL)
		DIVIDER
		1/4" WHITE FOAM (USED AS PROTECTION DOOR PANELS W/ LOCKS)



# Hybrid Pro Counter 09

## REC-42

All Hybrid Pro™ Modular counters feature accessible storage and locking doors. Purchased printed fabric graphics or rigid infill panels allow for your messaging and branding.



## features and benefits:

- White laminate cabinet
- UV graphic, printed on Sintra or on acrylic for back-lighting
- Locking storage door in back
- Easy step-by-step instructions
- Kit includes laminated cabinet, locking storage door, one vinyl graphic and one woodcrate case
- Lifetime hardware warranty against manufacturer defects

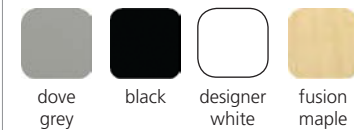
## dimensions:

Hardware	Graphic
<p>Assembled unit: 46" w x 37.5" h x 23" d 1168.4mm(w) x 952.5mm(h) x 584.2mm(d)</p> <p>Counter holds max weight 50 lbs / 22.68 kgs</p>	<p>Total visual area: Panel: 39" w x 30" h 990.6mm(w) x 762mm(h)</p> <p>Please be sure to include a 2" bleed around the perimeter.</p> <p>Refer to related graphic templates for more information</p> <p>Visit: <a href="http://www.exhibitors-handbook.com/graphic-templates">www.exhibitors-handbook.com/graphic-templates</a></p>
Shipping	
<p>Shipping dimensions - ships in 1 woodcrate: 1 WOODCRATE case: 56" l x 49" w x 42" h 1422.4mm(l) x 1244.6mm(w) x 1066.8mm(h)</p> <p>Approximate shipping weight (entire kit): 370 lbs / 168 kgs</p>	

## additional information:

Graphic material:  
UV graphic, printed on Sintra or acrylic for back-lighting

Laminate counter color options:

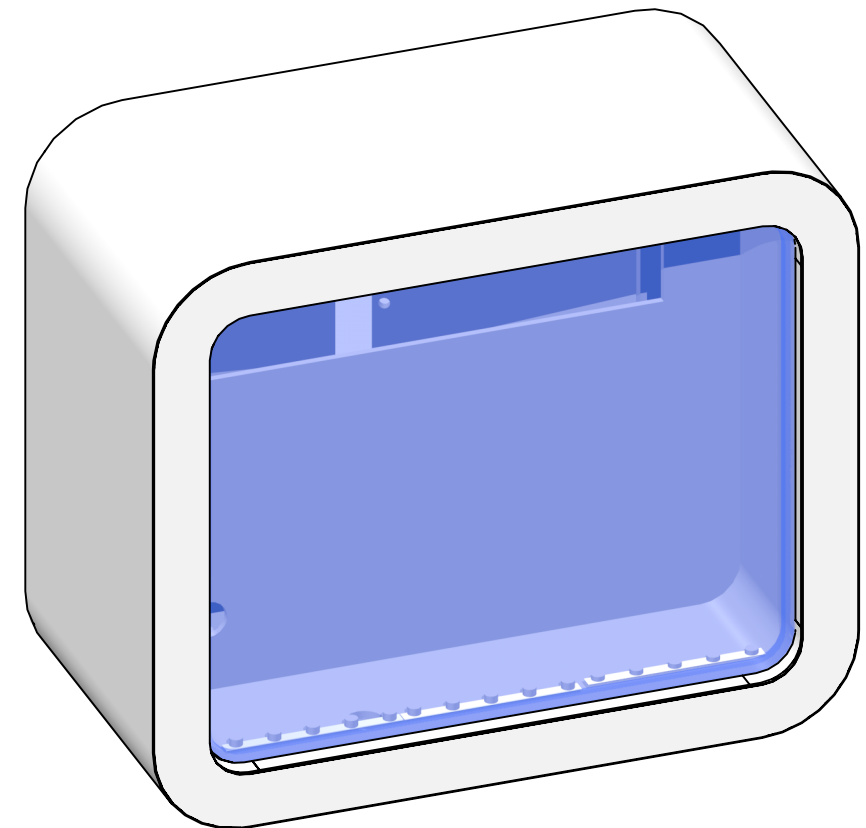
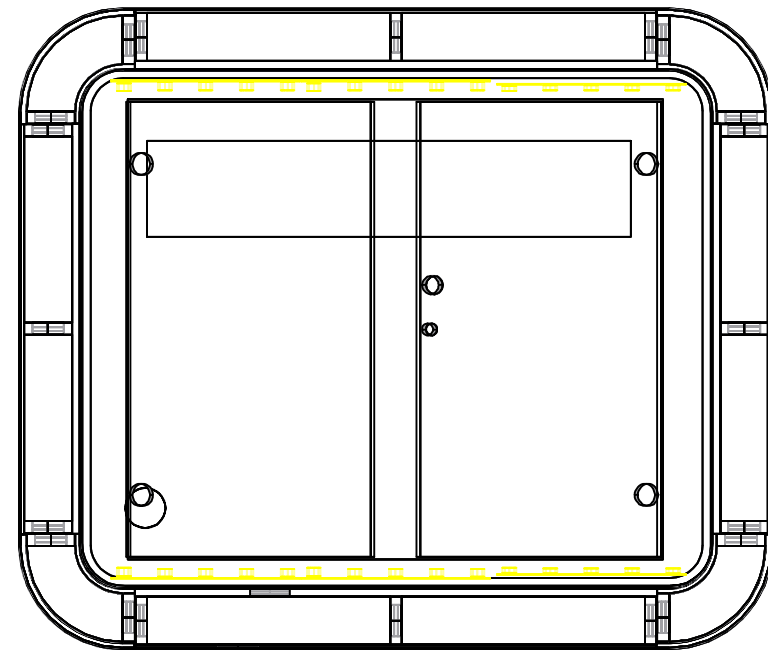
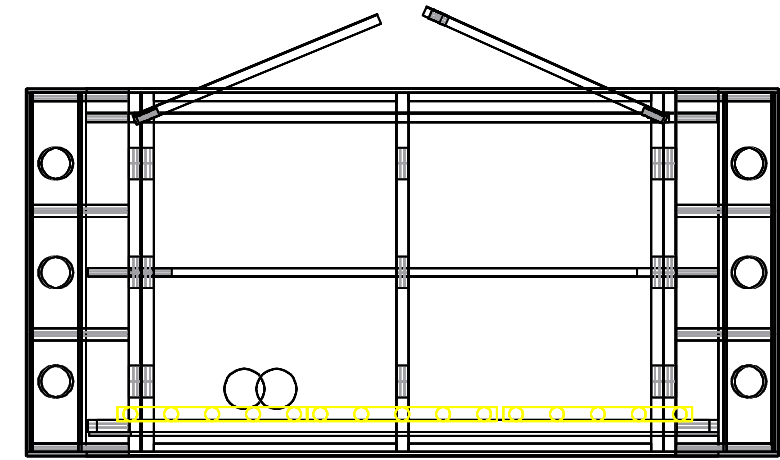
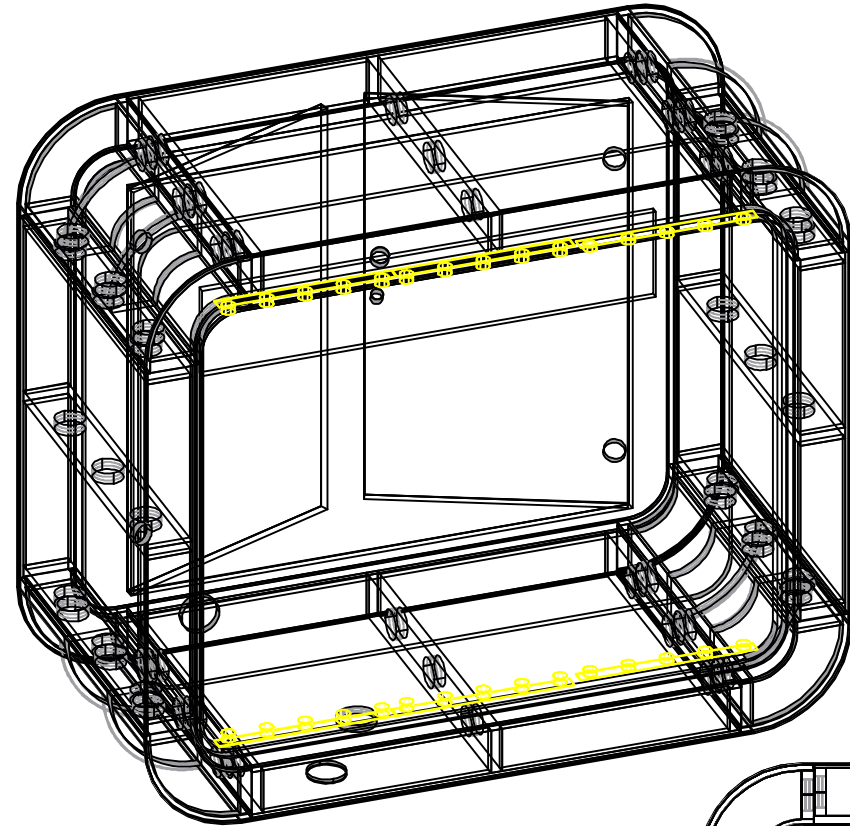


We are continually improving and modifying our product range and reserve the right to vary the specifications without prior notice. All dimensions and weights quoted are approximate and we accept no responsibility for variance. E&OE. See Graphic Templates for graphic bleed specifications.

Code	#	Description
R-REC-42	1	40" (V) X 23" X 47" CUSTOM COUNTER WITH FRONT BACKLIT GRAPHIC
GRAPHIC E	1	32 5/16" (H) X 39 3/8" (W) BACKLIT DSG GRAPHIC ON 6MM PET-G WITH ROUNDED CORNERS
LED-WHT-DB-300	6	300MM (11.81") LENGTH LED LIGHTS FOR DIRECTIONAL BACKLIGHT

# BOM

R-REC-42

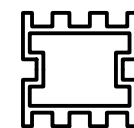
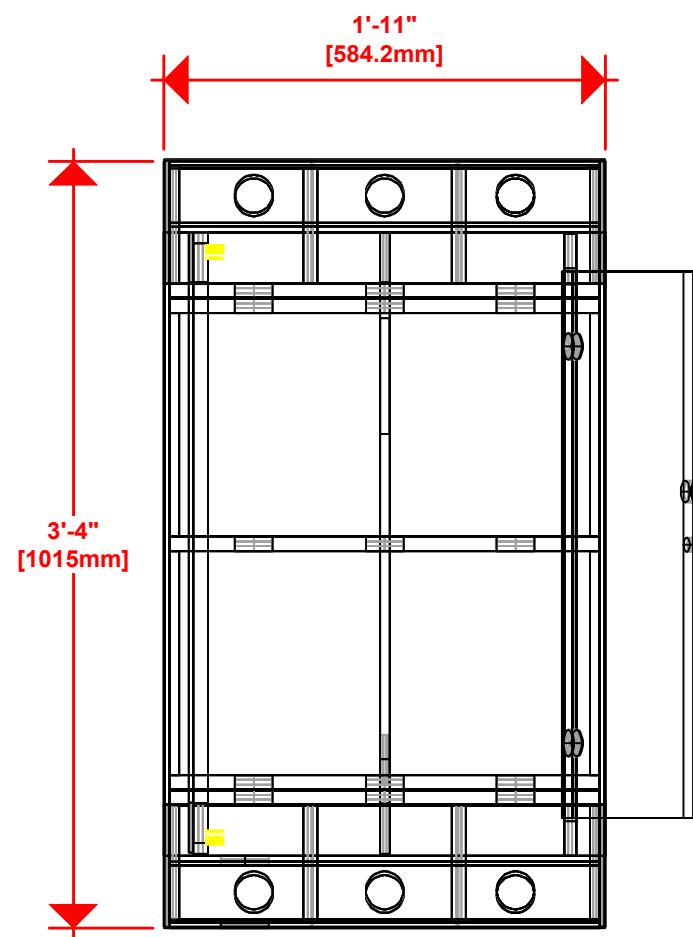
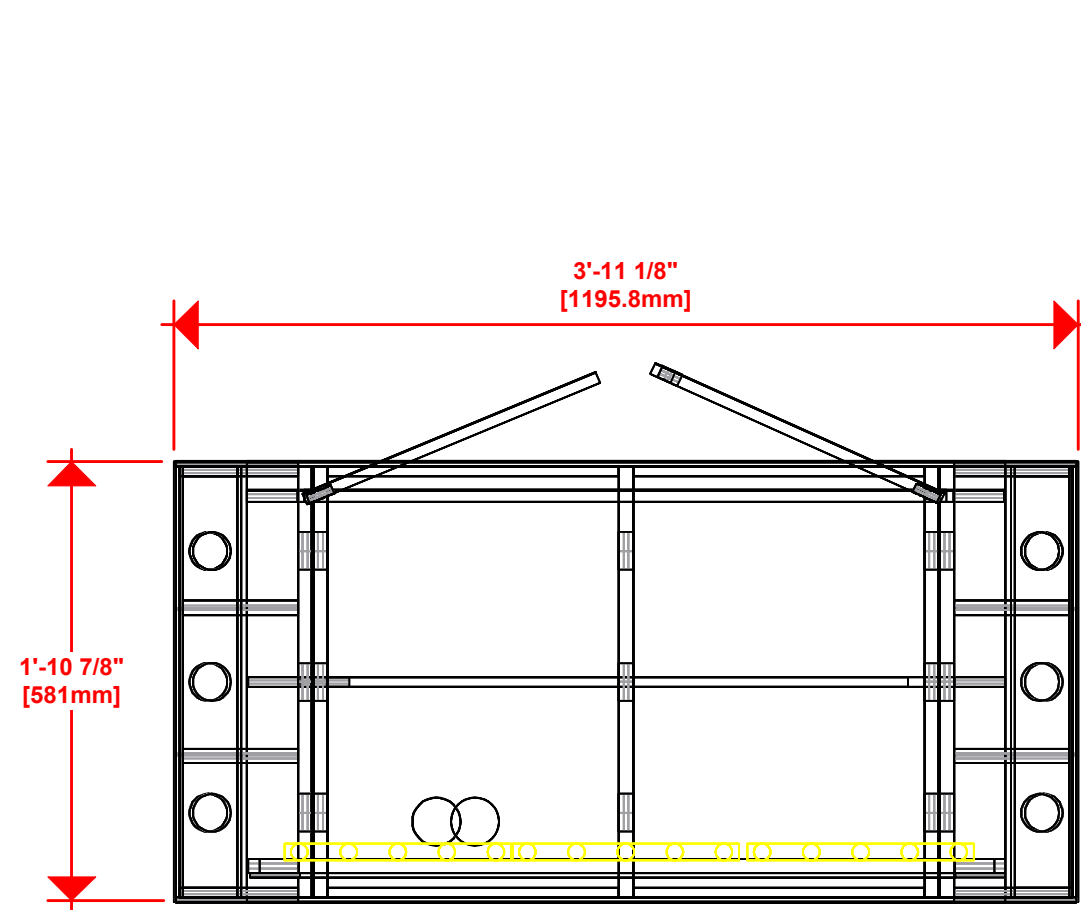


1. Redesign of this exhibit without approval by manufacturer may result in dangerous and unsafe structures. Manufacturer disclaims any responsibility for redesigned exhibits it does not approve in writing.

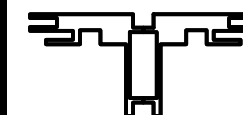
2. Parts and components such as panels and extrusions are manufactured to metric sizing. Where ever possible sizes have been noted in feet and inches as well as in metric. Below is the imperial to metric sizing table as reference. "Nominal" refers to approximate size.

- |                    |                                 |
|--------------------|---------------------------------|
| 2400mm = (94 1/2") | Phone Line / Fax                |
| 2100mm = (82 5/8") | Internet connection             |
| 1800mm = (70 7/8") | Outlet                          |
| 1500mm = (59")     | Main Drop (point of distrution) |
| 1200mm = (47 1/4") |                                 |
| 900mm = (35 1/2")  |                                 |
| 600mm = (23 5/8")  |                                 |
| 300mm = (11 7/8")  |                                 |

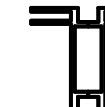
--- Wire running under carpet



PM2S2



PHFC4



PHFC2



PH



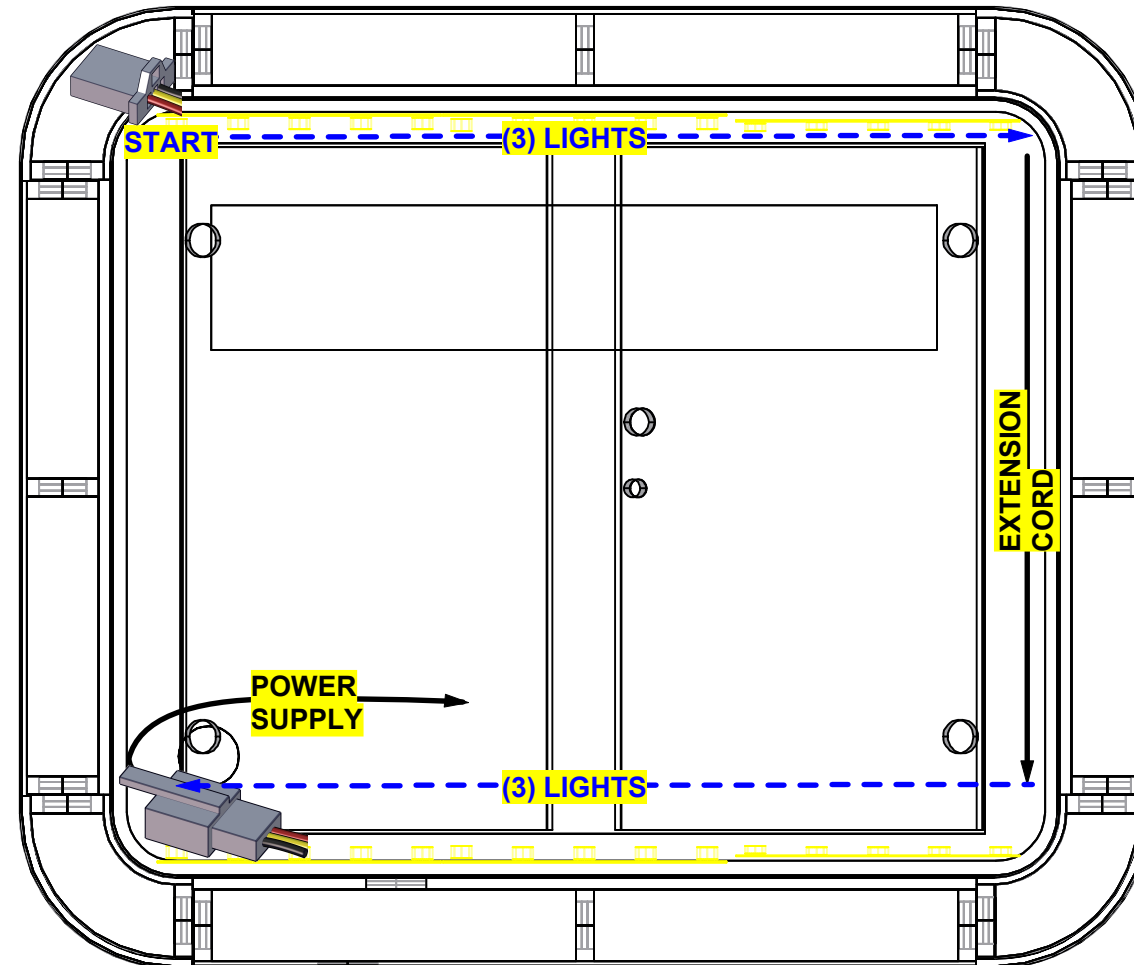
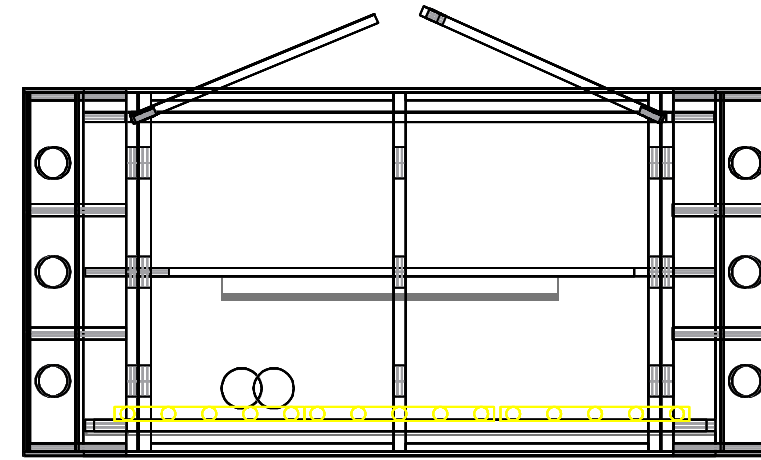
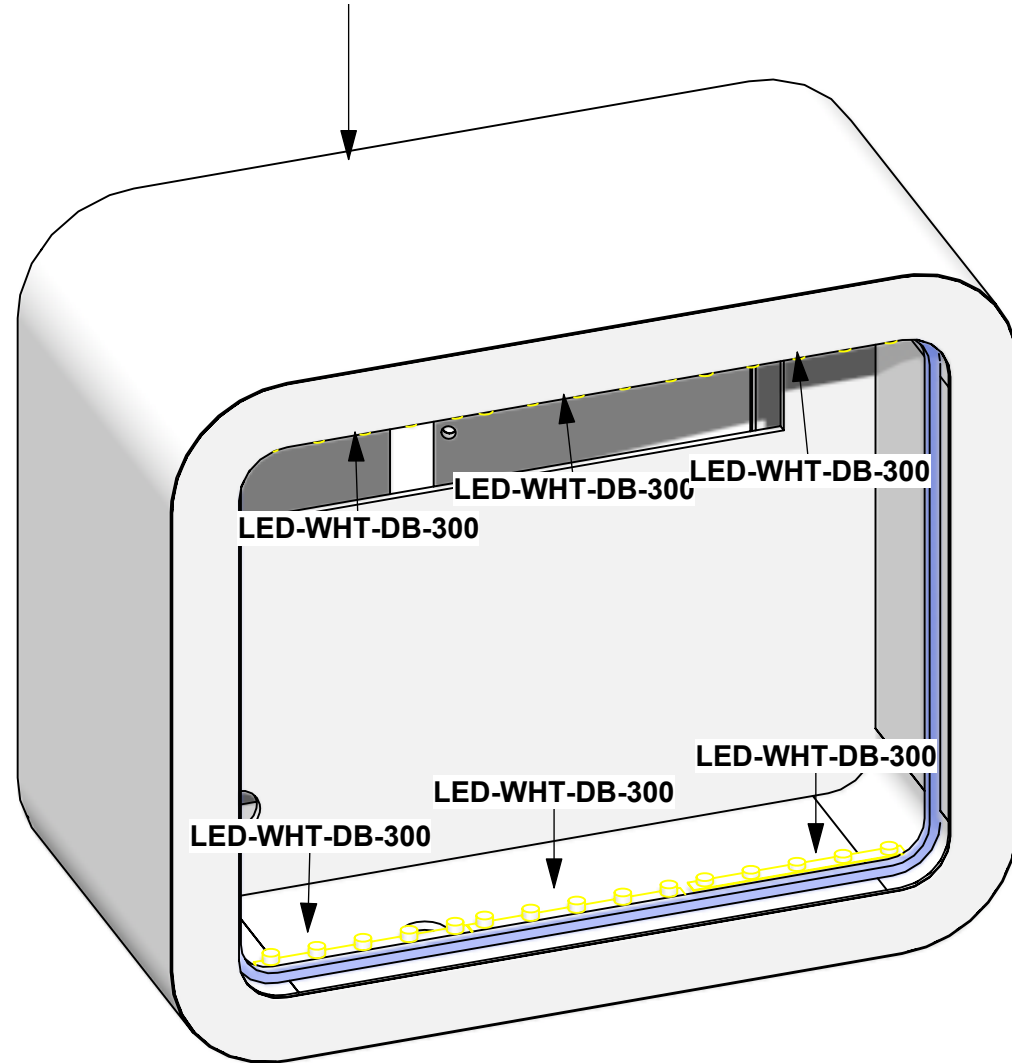
PH4SC

HYBRID PRO RENTAL KIT

Title: SET-UP INSTRUCTIONS

Code	#	Description
R-REC-42	1	40" (V) X 23" X 47" CUSTOM COUNTER WITH FRONT BACKLIT GRAPHIC
LED-WHT-DB-3	6	300MM (11.81") LENGTH LED LIGHTS FOR DIRECTIONAL BACKLIGHT

**R-REC-42**

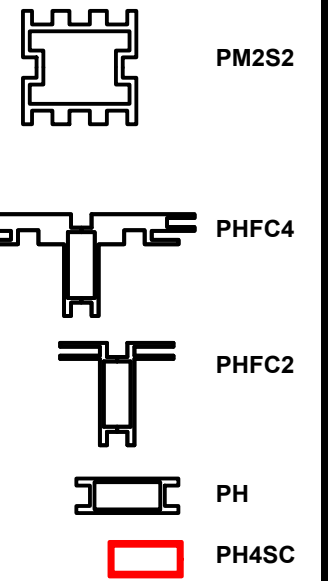


1. Redesign of this exhibit without approval by manufacturer may result in dangerous and unsafe structures. Manufacturer disclaims any responsibility for redesigned exhibits it does not approve in writing.

2. Parts and components such as panels and extrusions are manufactured to metric sizing. Where ever possible sizes have been noted in feet and inches as well as in metric. Below is the imperial to metric sizing table as reference. "Nominal" refers to approximate size.

2400mm = (94 1/2")	Phone Line / Fax
2100mm = (82 5/8")	Internet connection
1800mm = (70 7/8")	Outlet
1500mm = (59")	Main Drop (point of distrution)
1200mm = (47 1/4")	
900mm = (35 1/2")	
600mm = (23 5/8")	
300mm = (11 7/8")	

--- Wire running under carpet

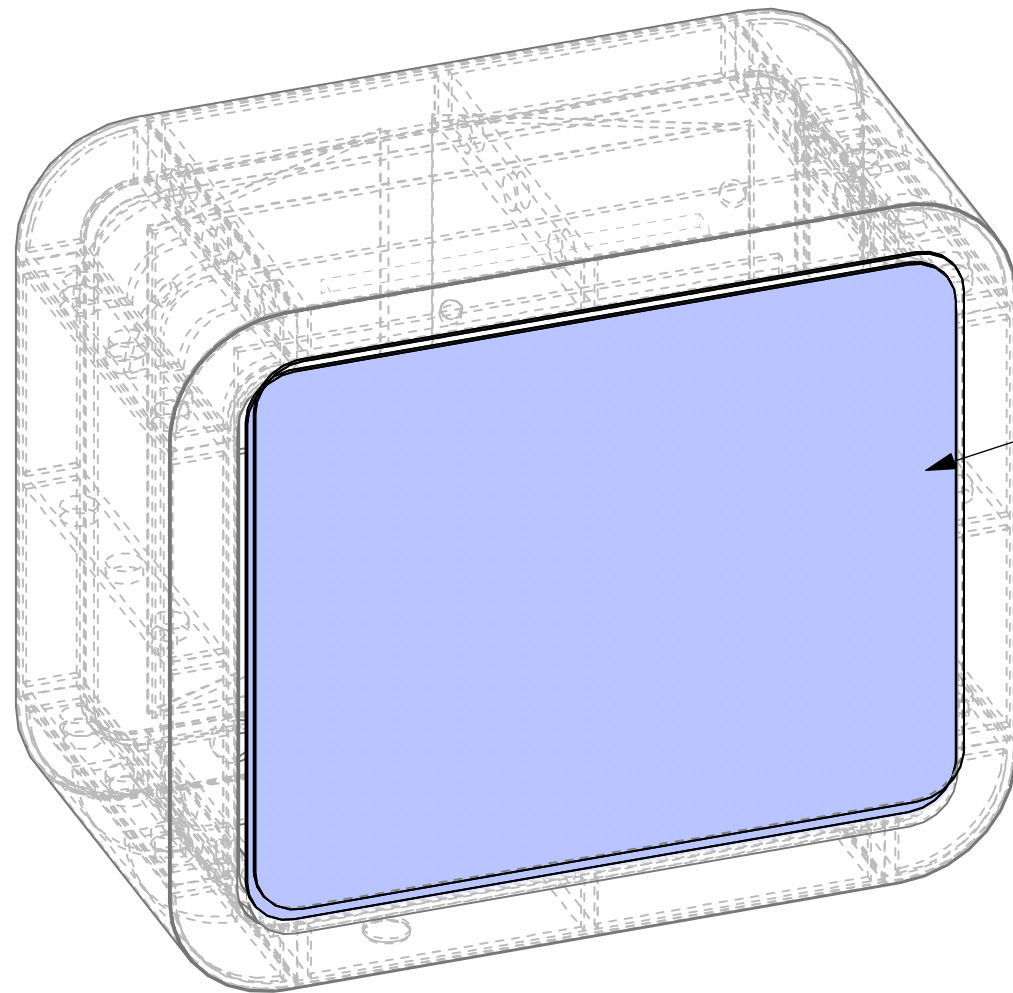


**HYBRID PRO RENTAL KIT**

Title: SET-UP INSTRUCTIONS

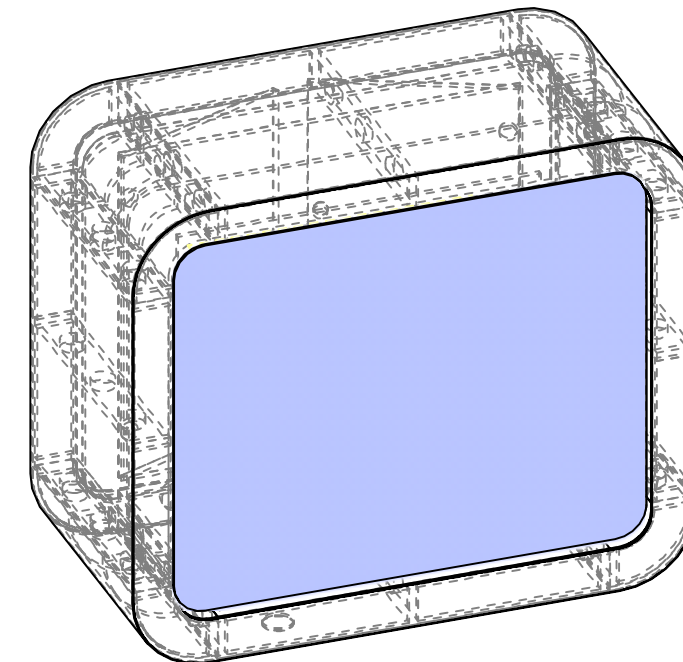
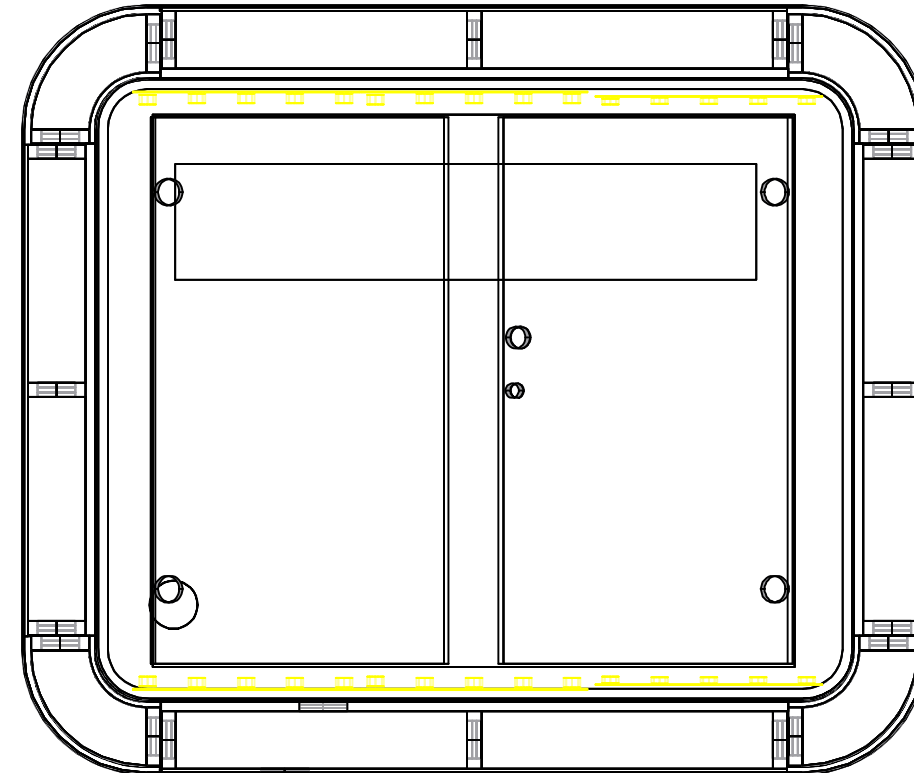


Code	#	Description
GRAPHIC E	1	32 5/16" (H) X 39 3/8" (W) BACKLIT DSG GRAPHIC ON 6MM PET-G WITH ROUNDED CORNERS



**GRAPHIC E**

W/ VELCRO  
ON THE BACKSIDE

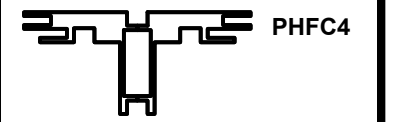
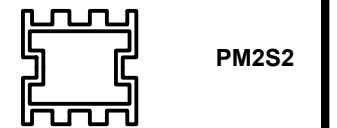


1. Redesign of this exhibit without approval by manufacturer may result in dangerous and unsafe structures. Manufacturer disclaims any responsibility for redesigned exhibits it does not approve in writing.

2. Parts and components such as panels and extrusions are manufactured to metric sizing. Where ever possible sizes have been noted in feet and inches as well as in metric. Below is the imperial to metric sizing table as reference. "Nominal" refers to approximate size.

2400mm = (94 1/2")	Phone Line / Fax
2100mm = (82 5/8")	Internet connection
1800mm = (70 7/8")	Outlet
1500mm = (59")	Main Drop (point of distrution)
1200mm = (47 1/4")	
900mm = (35 1/2")	
600mm = (23 5/8")	
300mm = (11 7/8")	

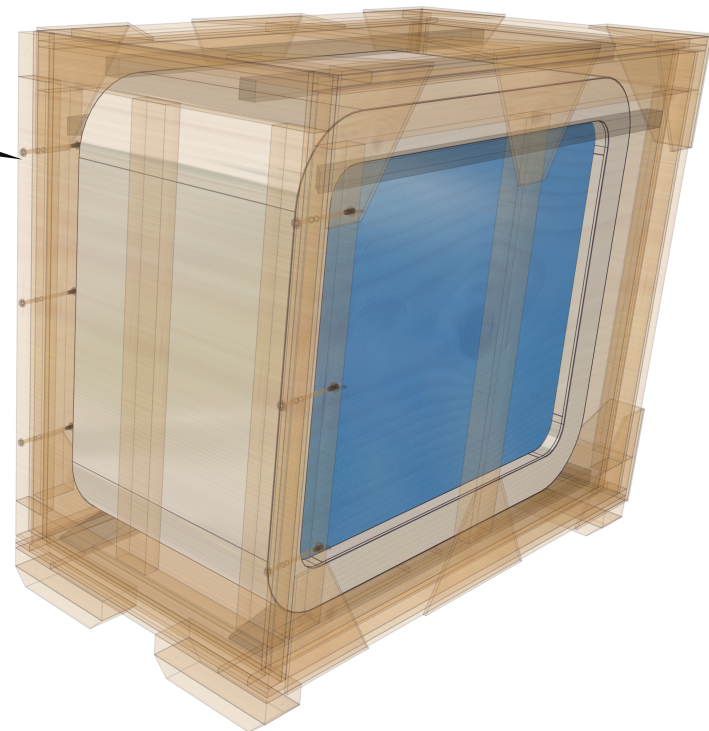
--- Wire running under carpet



HYBRID PRO RENTAL KIT

Title: SET-UP INSTRUCTIONS

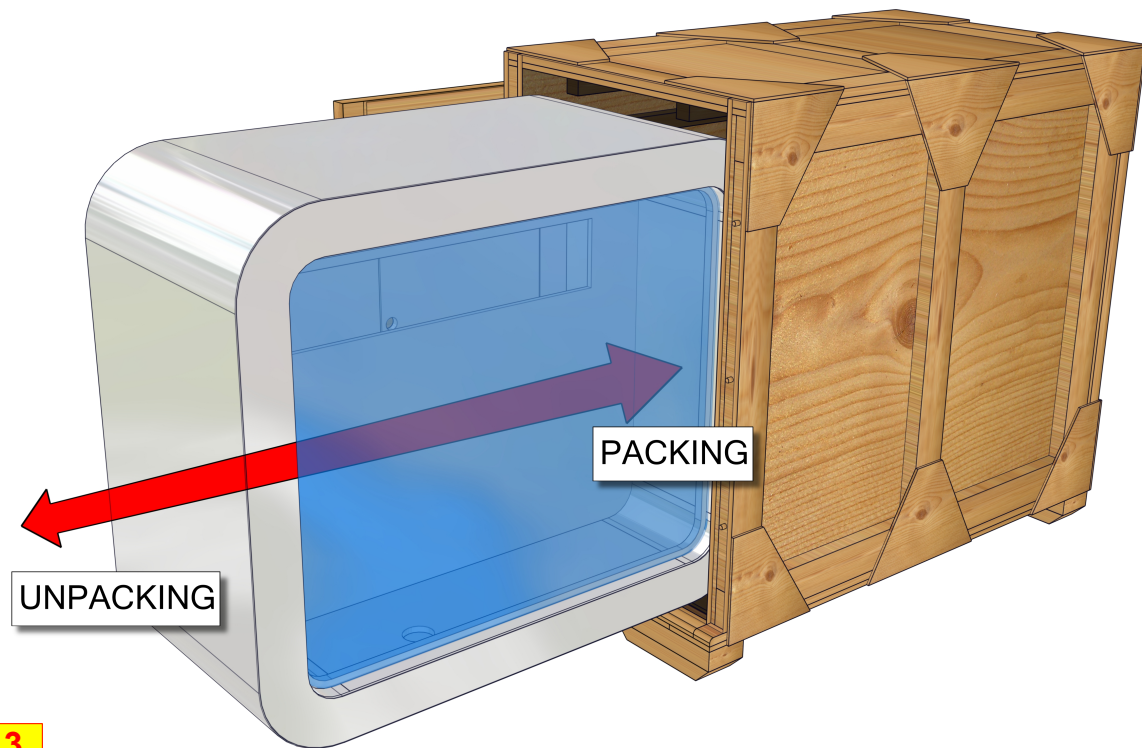
# **PACKING INSTRUCTIONS**



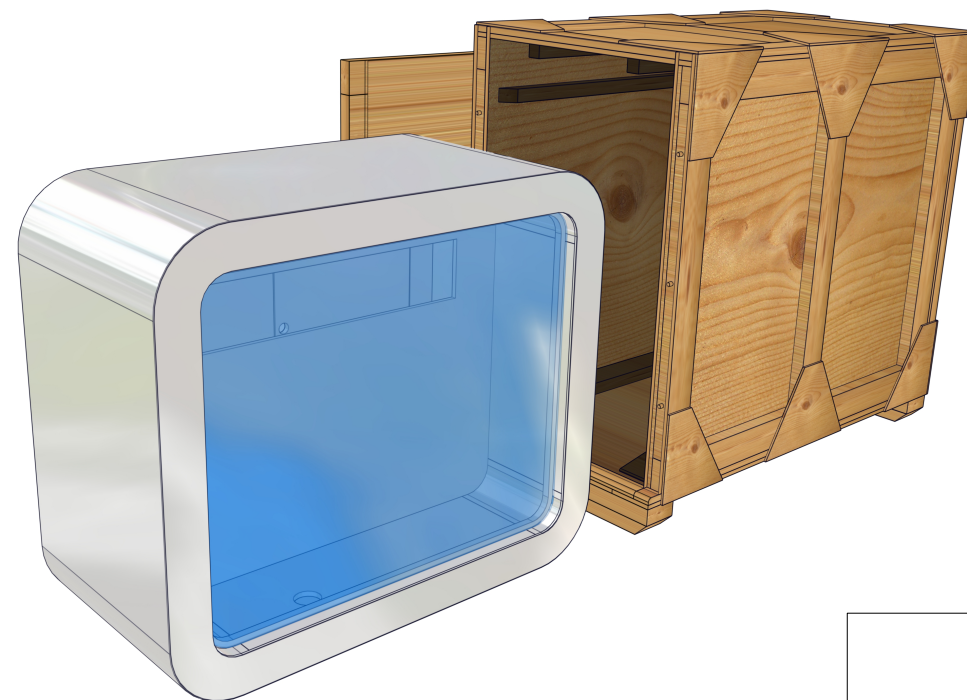
1



2



3



4

R-REC-42

# CASE # 1

<b>LEGEND</b>		GREY FOAM FOLDED TO FILL EMPTY SPACES OR USED AS PROTECTION
		1/8" CARDBOARD SPACER (PUT IN BETWEEN EVERY PANEL)
		DIVIDER
		1/4" WHITE FOAM (USED AS PROTECTION DOOR PANELS W/LOCKS)

