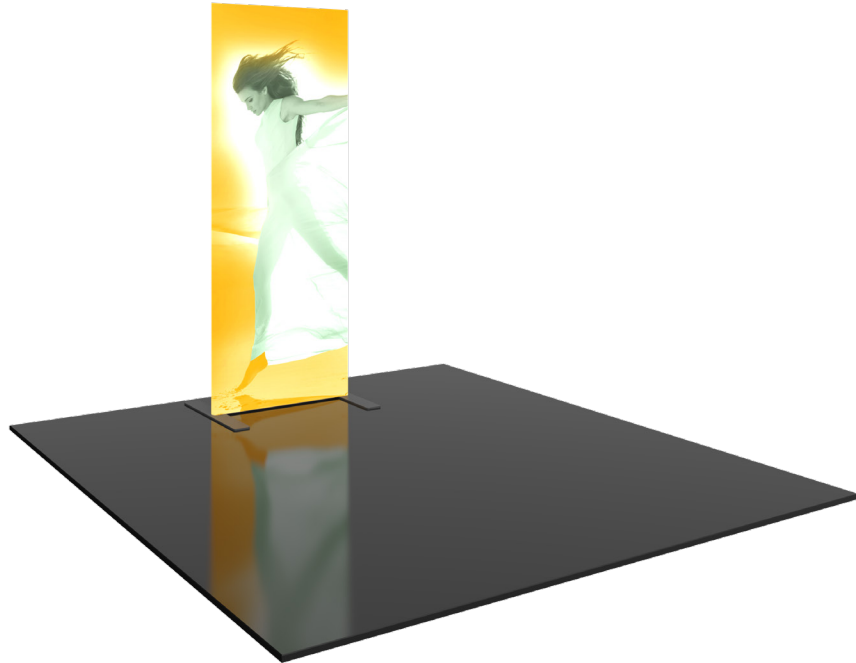


Formulate Master 3ft Straight Backlit Display

FMLT-BL-WS3-01

The Formulate® 3ft Straight Backlit display is a captivating and eye-catching exhibit that combines an aluminum tube frame with LED light curtains and a zipper pillowcase printed fabric graphic. The LED light curtain helps draw attention to the display and offers even and bright white light balance throughout. An expandable, sturdy display case is included to protect the frame and LED light curtains in transit to events and tradeshow.



features and benefits:

- State-of-the-art 50mm aluminum tube frame with snap-button assembly
- LED light curtains easily attach to the frame at the top and bottom
- Pillowcase fabric graphic is printed on backlit textile and includes an opaque backer
- Kit includes: one frame, one dye-sublimated zipper pillowcase graphic, one light curtain, one transformer, and one wheeled OCE molded storage case
- Easy to store and ship
- Lifetime hardware warranty against manufacturer defects

dimensions:

Hardware

Graphic

Assembled unit:
34.84" w x 92" h x 26.57" d
885mm(w) x 2337mm(h) x 675mm(d)

Refer to related graphic template for more information.

Approximate weight:
58 lbs / 27 kg

One year warranty.

Visit:
<https://www.theexhibitorshandbook.com/download-graphic-templates>

Shipping

additional information:

Packing case(s):
1 OCE

Graphic material:
Dye-sublimation zipper pillowcase fabric -
Backlit textile with opaque backer

Shipping dimensions:

Lighting Power Requirements:

Total wattage needed:	Total ampage needed:	Voltage used:
187.2W	7.8A	115-230V

OCE: Expandable case length (l) may vary

18"l x 40"-66" h x 18" d

458mm(l) x 1016-1677mm(h) x 458mm(d)

Approximate total shipping weight:
61 lbs / 28 kg

When included in a larger kit, a different packaging solution will be listed to accommodate all contents of the kit. Individual packaging no longer provided.

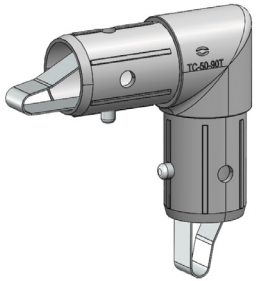


This product may include the following materials for recycle:
aluminum, select wood, fabric, cardboard, paper, steel, and plastics.

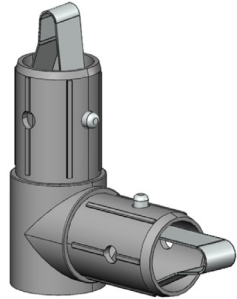
We are continually improving and modifying our product range and reserve the right to vary the specifications without prior notice. All dimensions and weights quoted are approximate and we accept no responsibility for variance. E&OE. See Graphic Templates for graphic bleed specifications.

Included In Your Kit

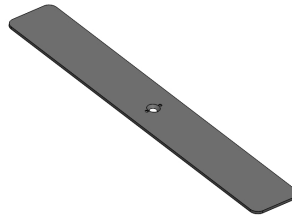
Tools, Components, & Connectors



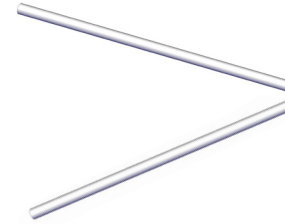
TC-50-90T x2



TC-50-90B x2



LN114-S2-650 x2



FMLT-BL-WS3-01-SIDE x2



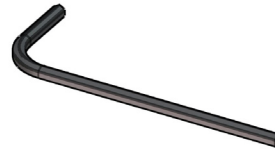
FMLT-BL-WS3-01-T2 x2



FMLT-BL-CURTAIN LIGHT x1



FMLT-BL-CURTAIN-TRANS-2 x1



HEX KEY 5MM x1



M10 SCREW vx2

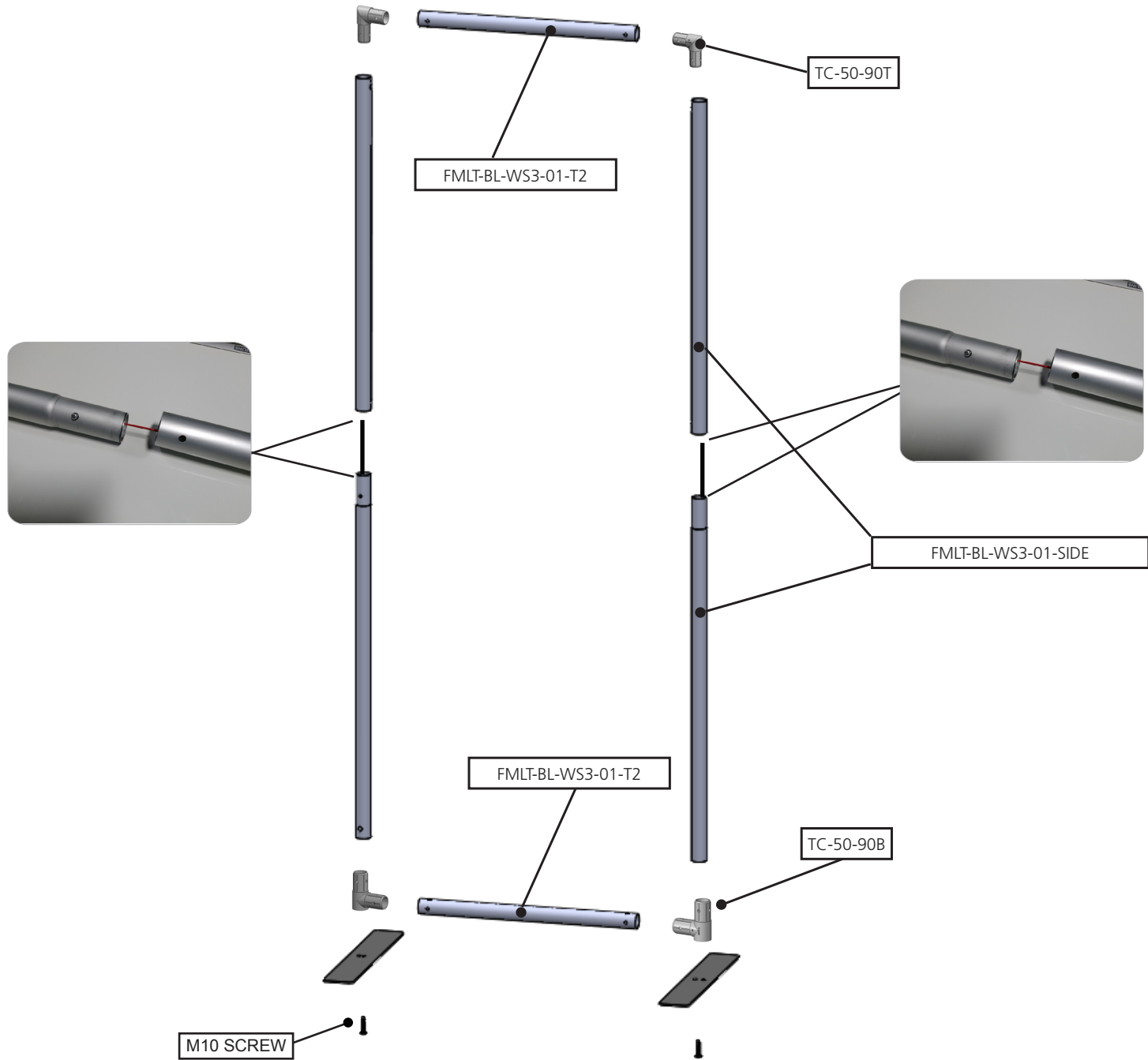
Graphics



FMLT-BL-WS3-01-G x1

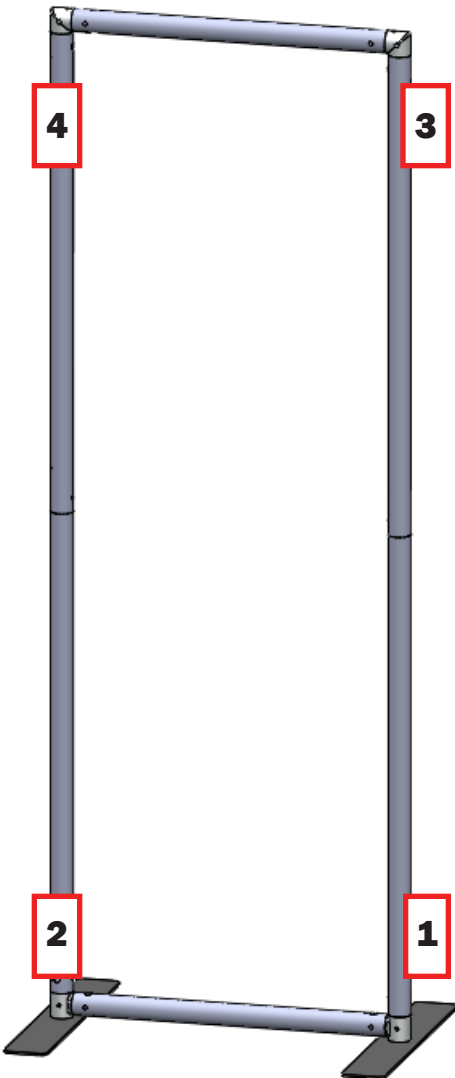
Exploded Diagram

FMLT-BL-WS3-01



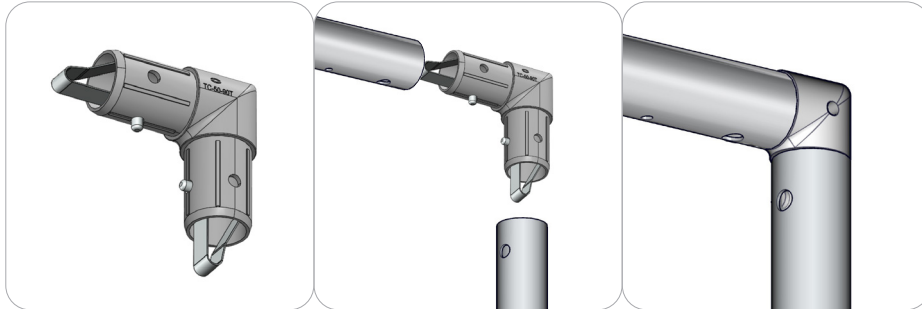
Labeling Diagram

FMLT-BL-WS3-01



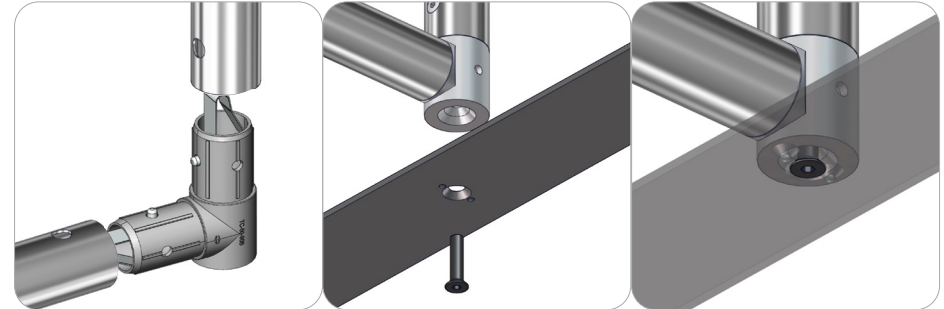
Connection Methods

Connection Method 1: TC-50-90T



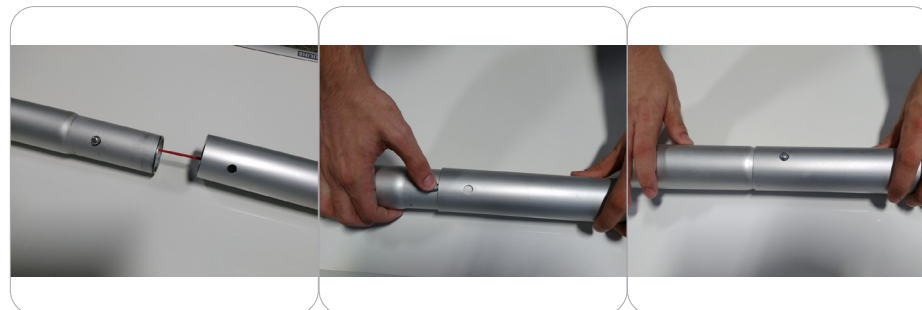
Take the plastic connector and make sure the snap buttons are in proper position for the frame tube holes. Simply press the snap button with your thumb and carefully slide the tube onto the connector. The snap button should pop through. Some twisting may be necessary to assure the snap button has popped all the way through the tube hole. Do not force the connection and be careful with the tube edges, they may be sharp.

Connection Method 2: TC-50-90B



Take the plastic connector and make sure the snap buttons are in proper position for the frame tube holes. Simply press the snap button with your thumb and carefully slide the tube onto the connector. The snap button should pop through. Some twisting may be necessary to assure the snap button has popped all the way through the tube hole. Do not force the connection and be careful with the tube edges, they may be sharp.

Connection Method 3: SNAP BUTTONS



For snap button connections, locate the snap button on the connector or swage tube. Locate the hole on the corresponding tube. Press the snap button with your thumb and slide the tube and connector together so that the snap button snaps fully into the lock hole. To disassemble, press the snap button and pull apart.

Kit Assembly

Step by Step

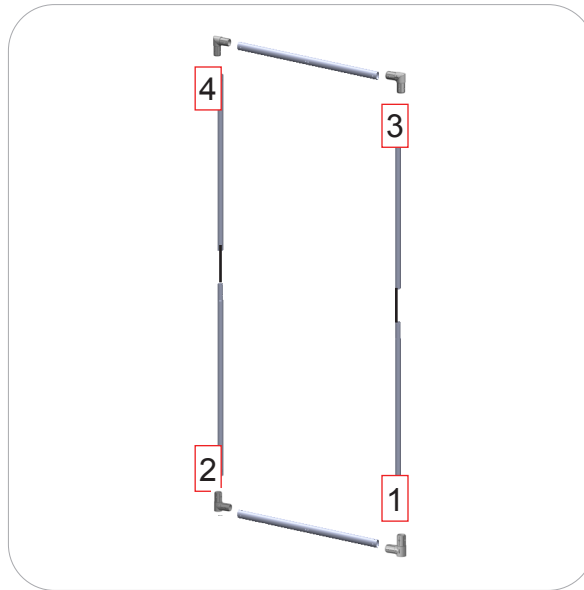
Step 1.

Step 1: Remove the black, vinyl bag from the shipping case and lay it on the floor.

A. Unzip and remove the bungee connected tubes from the bag and connect the tubes using the push-buttons. See Connection Method 3 for more details.

B. Remove the non-bungeed tubes from the bag and match the labeled numbers to the ends of the tubes that you've already placed on the ground.

See Connection Method 1 for the top of the frame, and Connection Method 2 for the bottom of the frame.

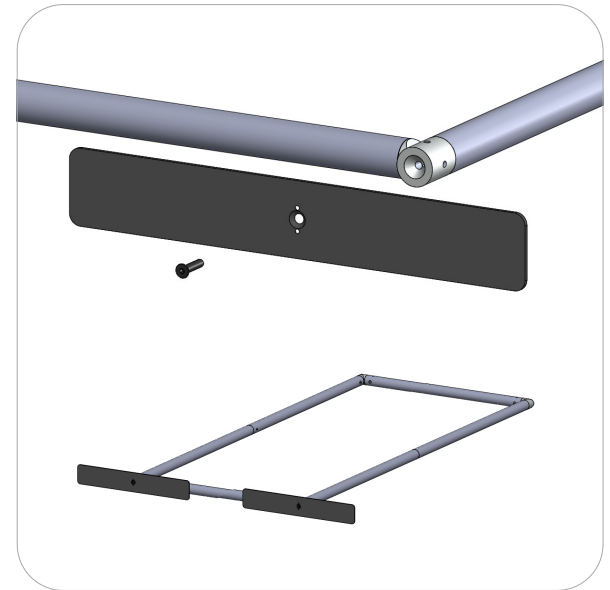


Step 2.

Attach the feet by removing the bolt from the bottom of the upright tubes, placing the foot against the frame, and inserting the bolt through the foot and into the frame so the bolt head sits in the countersunk hole and is flush with the foot.

Hand tighten and lay the feet so they sit flat against the floor on their side.

Reference Connection Method 2 for more details.



Step 3.

Remove one of the light curtains from its box and bring it to the frame.

Check the plugs of the curtain; with the male end toward the top of the frame, unroll the curtain with the bulbs facing down.

Be sure to keep the padding and packaging to protect the lights during storage and shipping.



Step 4.

Hook the light curtain clips into the two holes at the top of the frame closest to the side.



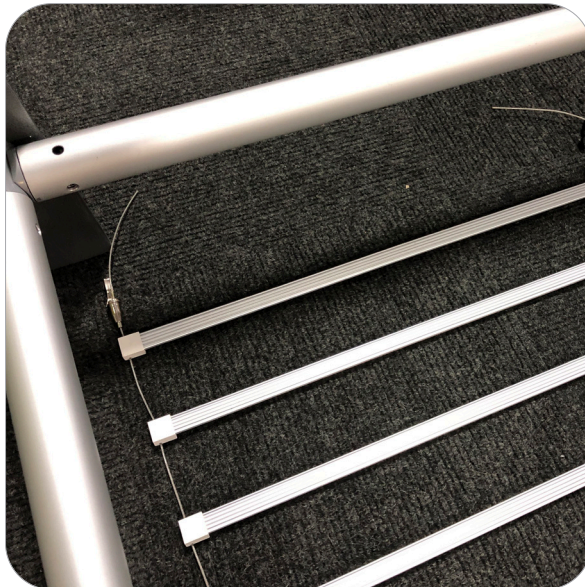
Kit Assembly

Step by Step

Step 5.

Unroll the light curtain and leave the bottom loose.

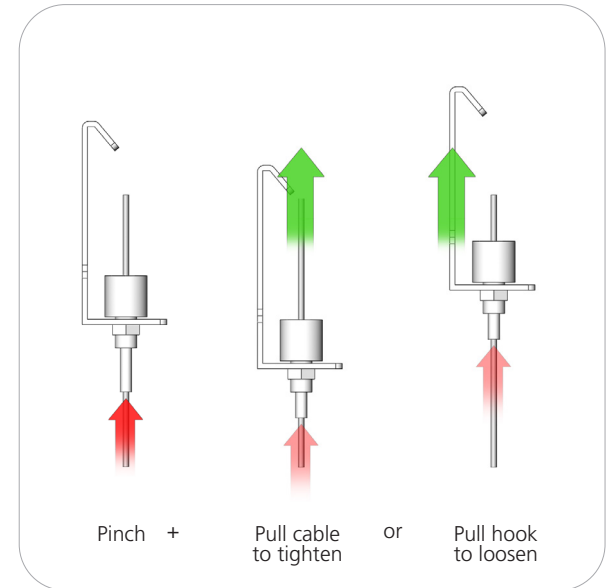
Repeat Steps 4-6 until all curtains have been hooked to the top of the frame.



Step 6.

Verify that the top bar of lights on each curtain at the top of the frame are all level and approximately the same distance from the top of the frame.

Adjust slack in the curtain by pinching the hook button and pulling the cable towards you to tighten or pulling the hook towards you to loosen.



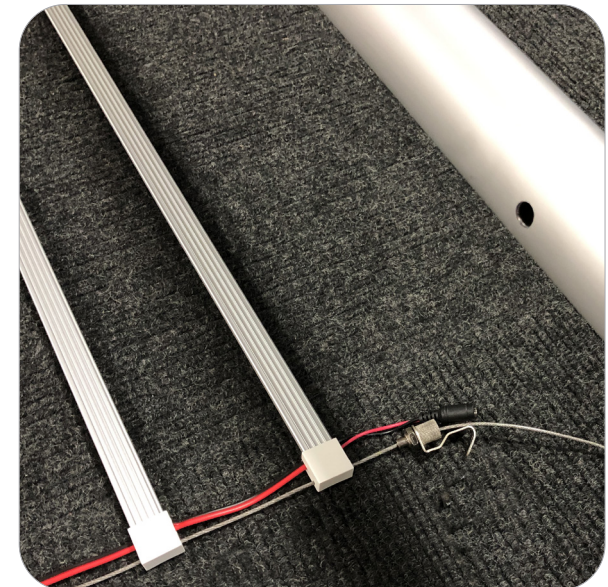
Step 7.

Insert any excess cable of the light curtains into the hole of its connected hook to prevent it from pushing against the graphic.



Step 8.

Move to the bottom of the frame and push in the snap buttons to rotate the tube approximately 1/4 turn so the hook holes are just shy of facing the top of the frame.

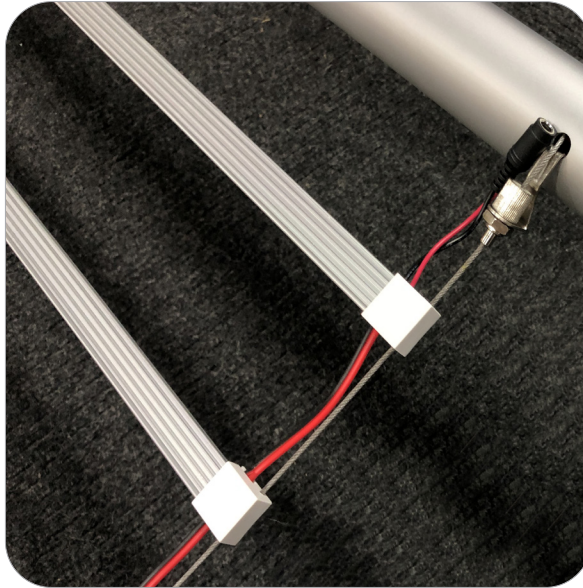


Kit Assembly

Step by Step

Step 9.

Insert the light hooks from the bottom of the curtains and any excess cable into the holes.



Step 10.

Rotate the bottom tube back to the original position so the snap buttons align with the holes.

See Connection Method 2 for more details.



Step 11.

Rotate the feet to their correct, perpendicular orientation.

With the frame still laying on the ground, pull the pillowcase graphic over the top of the frame to begin fitting.

Make sure the graphic is being installed evenly down both sides of the frame.



Step 12.

Once the graphic has reached 1/4 to 1/2 way down the frame, you can stand the frame upright to assist in installing the graphic the rest of the way down the frame.

Roll up the padding for the lights and store in the light curtain boxes to use during dismantle.



Kit Assembly

Step by Step

Step 13.

Connect the white, male end of the transformer cord into the black, female end of each light curtain's cord.



Step 14.

Zip the bottom of the graphic; one section for each light curtain.



Step 15.

Plug in the transformer.

Do not cover or hinder airflow to the transformer as it needs air circulation to work properly.

Set up is complete.

Note: In the US, set the transformer to 115v; anywhere else, set it to 230v.

