

Hopup Backlit 1X3 Straight Full-Height Display

HOP-2-BL-1X3-S (Hardware Only Kit)

HOP-2-BL-1X3FGE-S (Hardware and Graphic Kit)

The Hopup™ 2.5ft (1 quad x 3 quad) straight backlit pop up display is a versatile solution, providing illuminated graphics that accentuate design and messaging to your audience. Vibrant LED lighting have a significant lifespan, allowing for use at a large number of events. Lights attach to the rear panel of the frame, which illuminate front panel custom graphics for an attention-grabbing display that requires no tools for assembly! Display comes with a molded case and carry bag, making storage and transport easy.



features and benefits:

- Lightweight 2.5ft wide (1 quad x 3 quad) straight anodized silver frame
- White in-molded hook and loop end caps
- Supports an integrated fabric graphic mural with endcaps
- Rear diffuser graphic panel for single-sided units
- LED lights easily attach to the collapsible frame
- Comes in a molded, wheeled OCX case
- Lifetime hardware warranty against manufacturer defects on frame
- Lights have a one year limited warranty

dimensions:

Hardware	Graphic
<p>Assembled unit: 31.02" w x 89.89" h x 28.94" d 788mm(w) x 2284mm(h) x 735mm(d)</p> <p>Approximate weight: 18 lbs / 8 kg</p>	<p>Refer to related graphic template for more information.</p> <p>One year warranty.</p> <p>Visit: https://www.theexhibitorshandbook.com/download-graphic-templates</p>
Shipping	additional information:
<p>Packing case(s): 1 OCX</p> <p>Shipping dimensions: 40" l x 27" h x 18" d 1016mm(l) x 686mm(h) x 458mm(d)</p> <p>Approximate total shipping weight: 50 lbs / 23 kg</p>	<p>Always unplug the two female connectors from the power supply when raising the frame up or down.</p>

We are continually improving and modifying our product range and reserve the right to vary the specifications without prior notice. All dimensions and weights quoted are approximate and we accept no responsibility for variance. E&OE. See Graphic Templates for graphic bleed specifications.

Kit Assembly

Step by Step

Step 1.

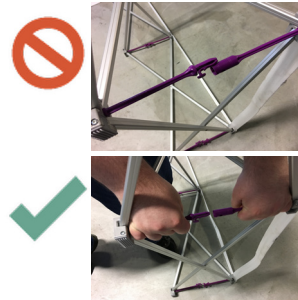
Unpack the frame from the bag. Stand with backer side toward the floor. Stretch out the frame so it lays flat on the floor.

Hook and loop perimeter for attaching graphic comes preattached.



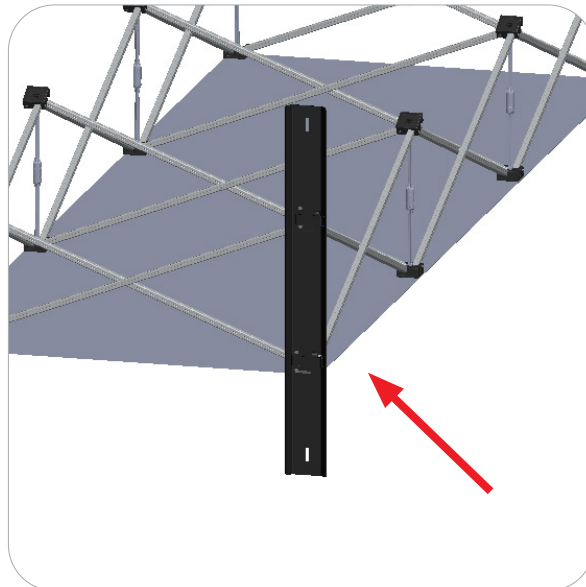
Step 2.

Lock the connecting arms into place. Stand the frame upright once all the connectors are securely snapped in the lock position.



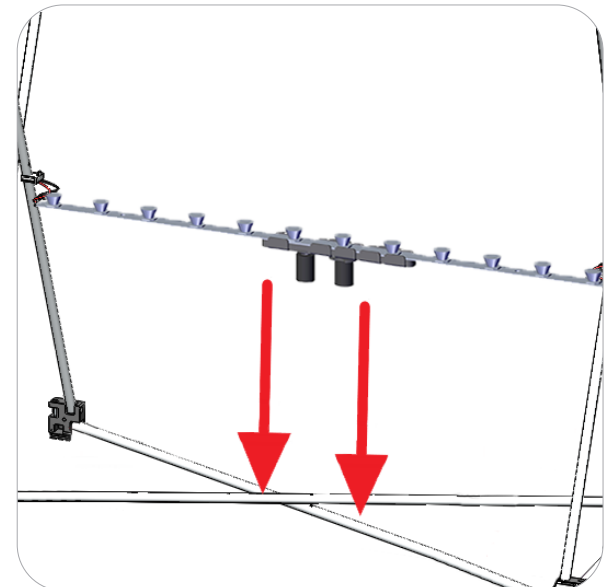
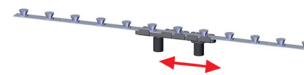
Step 3.

Attach the stabilizing bases. Secure them in place while you stand the frame upright.



Step 4.

Gather all the lighting strips and align so they are over each "X" of the frame, then pull the spring-loaded clip apart to fit onto the "X". Make sure the orientation of the male and female connectors allows for linking them together.

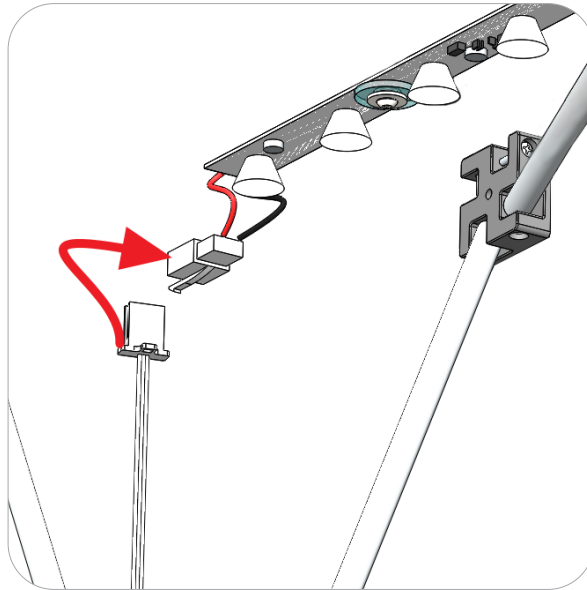


Kit Assembly

Step by Step

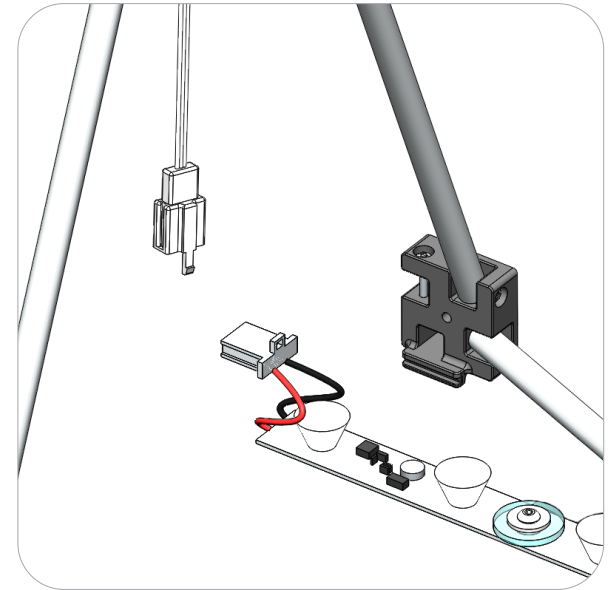
Step 5.

Connect the long extension cord to the female end of the top light strips in series. Run the long extension cord down the side.



Step 6.

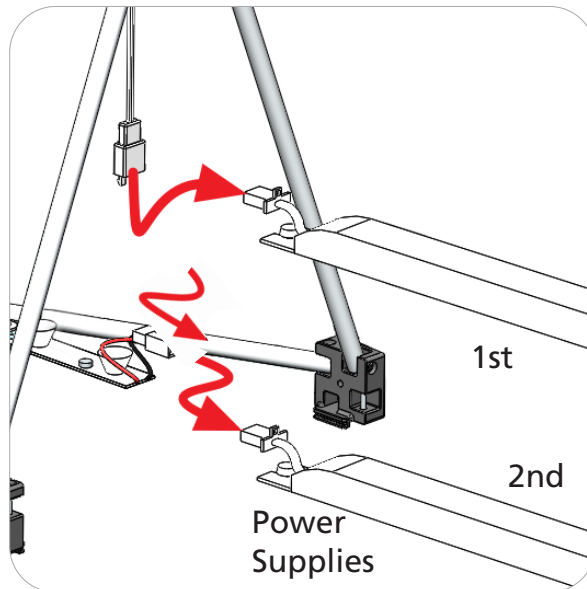
First, attach the extension cord from the top row of lights to bottom row of lights.



Step 7.

First, attach the extension cord from the top row of lights to first power supply. Then, attach the bottom row of lights to the second power supply.

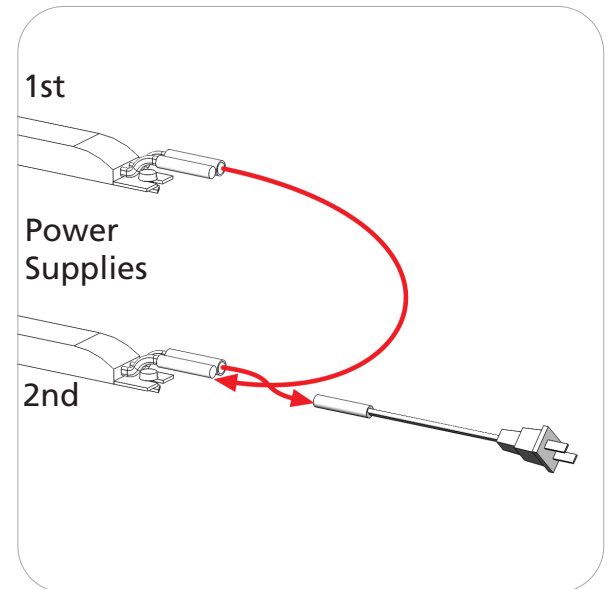
Plug in the power cord for test lighting.



Step 8.

Attach the 1st power supply to directly to the 2nd power supply. Then, attach the power cord to the 2nd power supply.

Plug in the power cord for test lighting.



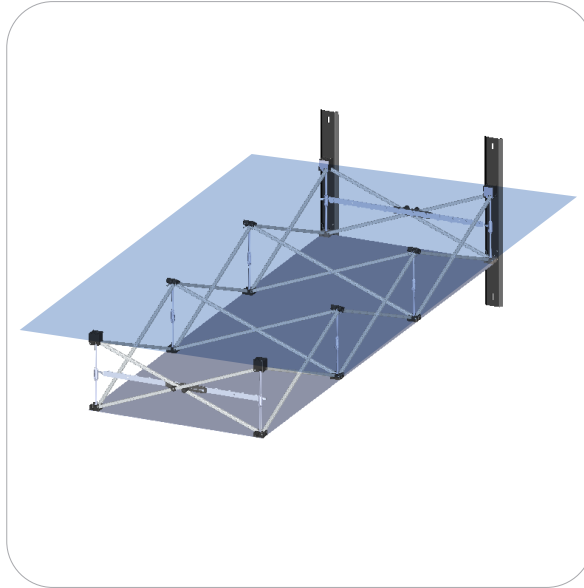
Kit Assembly

Step by Step

Step 9.

Once the lights are all set, it is important to disconnect the power to the lights before applying the graphic.

Lay the frame back down on the floor. Apply the graphic to the frame, the endcaps do not have to be immediately applied.



Step 10.

Stand the unit back to the upright position. Power On the lights and verify that they all work. Apply the end caps by wrapping them to the back side and fasten them closed.

Setup Complete.

