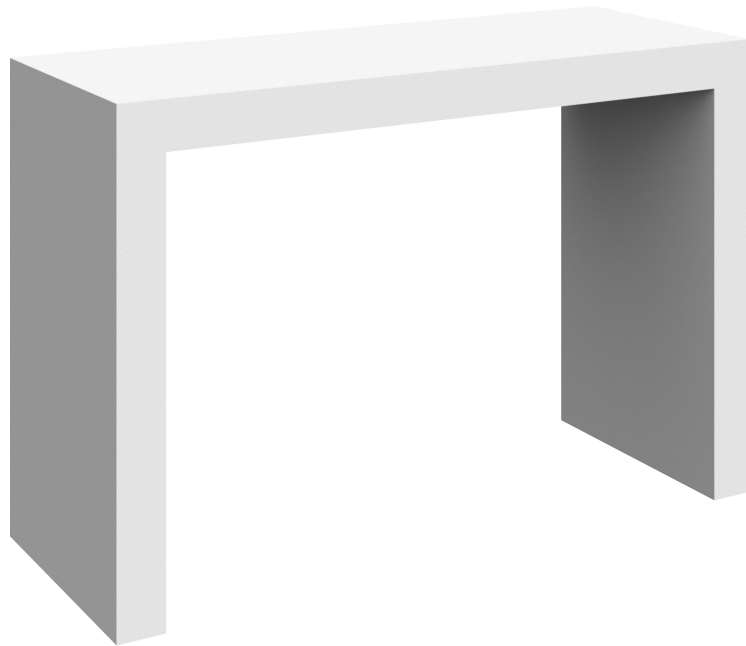


# Hybrid Pro Modular Counter 14

## HPC-14

Hybrid Pro™ Modular Counter 14 is a stylish counter solution for any exhibit. Available in four different finishes including grey, black, white, and natural. Designed with only 3 pieces for easy assembly.



## features and benefits:

- Laminated finish
- Easy assembly
- Stylish simple design
- Lifetime hardware warranty against manufacturer defects

## dimensions:

Hardware

Assembled unit:  
59.06" w X 39.37" h X 23.15" d  
1500mm(w) x 1000mm(h) x 589mm(d)

Approximate weight:  
24 lbs / 11kgs

Shipping

Packing case(s):  
HPC-14-CRATE

Shipping Dimensions:  
67" l x 31" h x 19" d  
1702mm(l) x 788mm(h) x 483mm(d)

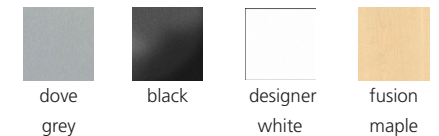
Approximate case shipping weight:  
167lbs / 76 kgs

Approximate total shipping weight  
(includes cases & graphics):  
191 lbs / 87 kgs

## additional information:

When included in a larger order, a different packaging solution will be listed to accommodate all contents of the order. Individual packaging may no longer be provided.

## Panel Colors:



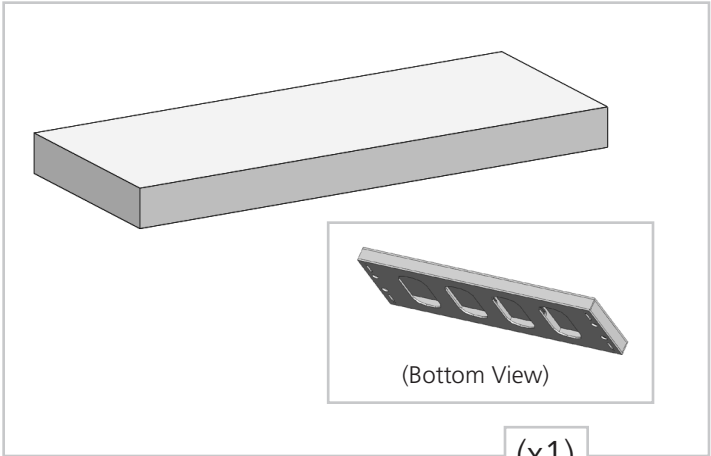
## 1 person assembly recommended:



This product may include the following materials for recycle:  
aluminum, select wood, fabric, cardboard, paper, steel, and plastics.

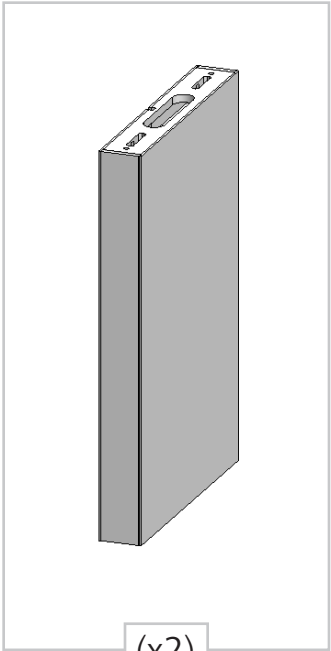
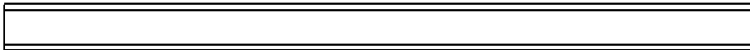
We are continually improving and modifying our product range and reserve the right to vary the specifications without prior notice. All dimensions and weights quoted are approximate and we accept no responsibility for variance. E&OE. See Graphic Templates for graphic bleed specifications.

# Included In Your Kit



(Bottom View)

(x1)



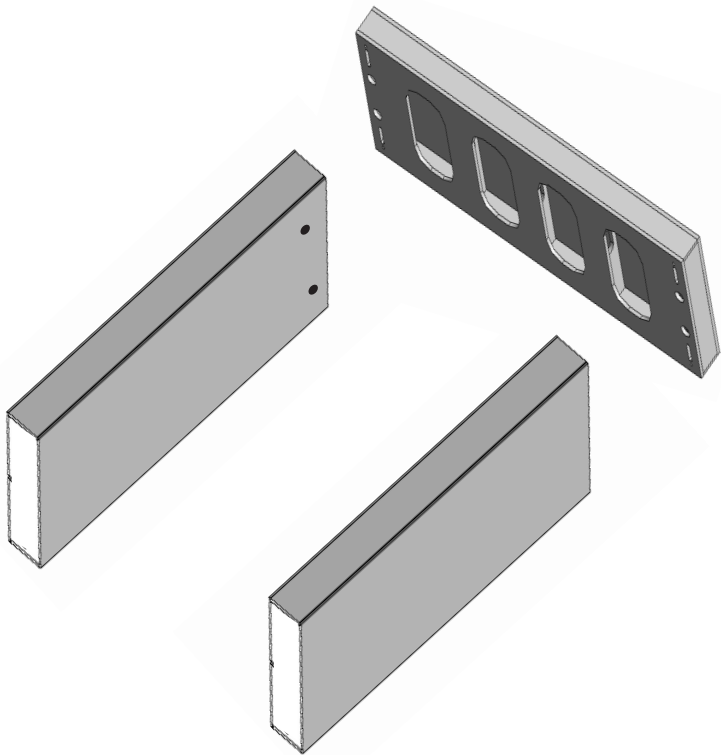
(x2)



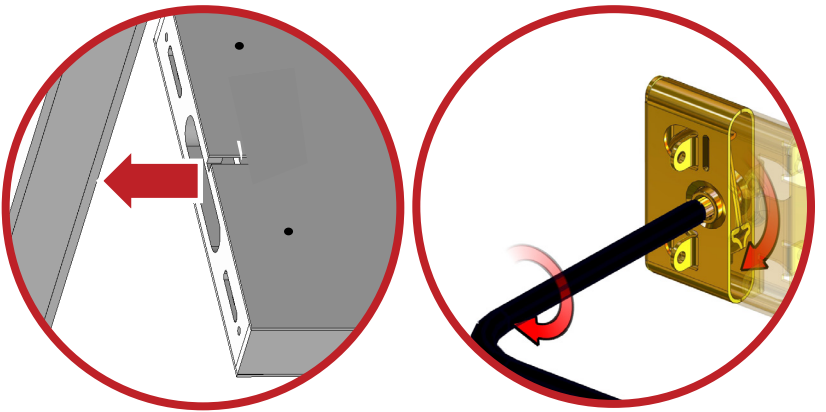
(x1)

# Table Assembly

**1. Set the side panels on the floor with the roto lock holes facing each other. Place the top panel in front of the side panels to match the color dots.**



**2. Push the side panels into the top panel and engage the roto locks with the hex key. Tilt the counter upright to complete the assembly.**



**Note: The roto locks on the same side panel will lock in opposite directions.**

