

MODify Gondola Kit 01

MODify™ is a one-of-a-kind Modular Merchandising System that is made up of interchangeable fixtures and accessories that can be easily assembled, disassembled, and rearranged to create a variety of different display configurations. The MODify system incorporates SEG push-fit fabric graphics that enable you to brand, promote and merchandise with ease.

MODify Gondola Kit 01 is a merchandising mecca that is versatile and durable. The easy-to-assemble base kit features eight push-fit graphic panels and a double-sided slatwall panel. This kit provides the flexibility to MODify with optional shelving, hooks, and other fixtures to create an attractive and functional retail display.



We are continually improving and modifying our product range and reserve the right to vary the specifications without prior notice. All dimensions and weights quoted are approximate and we accept no responsibility for variance. E&OE. See Graphic Templates for graphic bleed specifications

features and benefits:

Base Kit includes:

- Frame, slatwall, shelf and base colors in kit are all the same, your choice of all white, black, or silver
- Heavy-duty aluminum frame, steel base
- Steel, slotted uprights
- Five frames: two ends, two center, one header
- 35"W x 57"H (full height) slatwall on front & back
- End caps each hold a 35"W x 57"H SEG push-fit fabric graphic, black liners on inside
- Two 35"W x 57"H push-fit fabric graphics on inside of display
- Frame topper with 59"W x 12"H SEG push-fit graphic, one on each side
- Non-rolling base
- Display is easy to assemble and install
- Lifetime hardware warranty against manufacturer defects

Optional Accessories Include:

- Towel bars.
- Faceout bars
- Waterfalls
- U bars
- Slatwall hooks
- Shelves

dimensions:

Hardware

Assembled unit:

76.5"W x 72"H x 37.5"D
1943.1mm(w) x 1828.8mm(h) x 952.5mm(d)

Approximate Weight:
202 lbs / 91.6257 kg

Shipping

Packing case(s):
1 Box

Shipping dimensions:
(62" L x 24" H x 24" D)
1574.8mm(l) x 609.6mm(h) x 609.6mm(d)

Approximate shipping weight:
279 lbs / 126.552 kg

Graphics

Graphic material: Dye-sublimated fabric

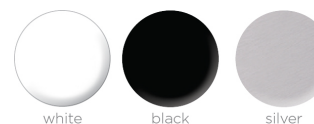
See graphic templates for graphic sizes.

Refer to related graphic templates for more information Visit:

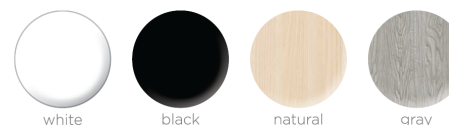
<https://www.theexhibitorshandbook.com/downloads/download-graphic-templates>
or click here

additional information:

Powder coat color options:



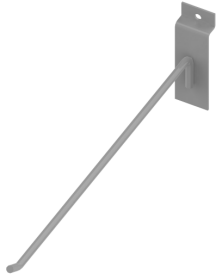
Wood laminate color options:



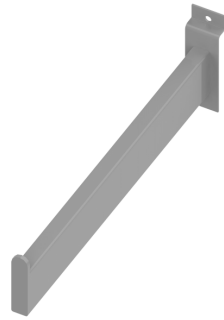
MODify Accessories

All Accessories available in white, black, or silver

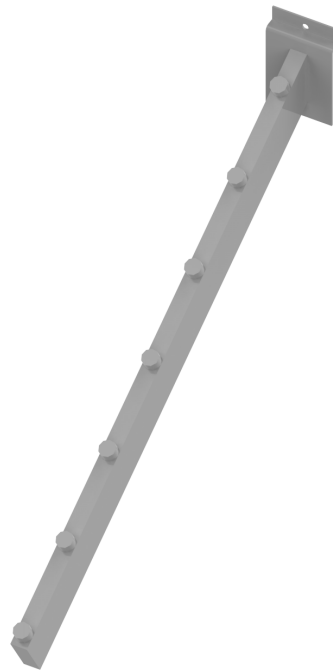
Slotwall Accessories



MFY-SLT-HK
4", 6", 8", 10" & 12"

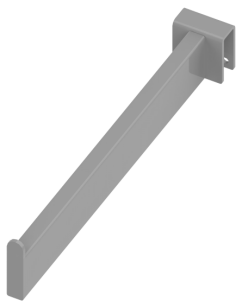


MFY-SLT-FC
6", 8", 10" & 12"

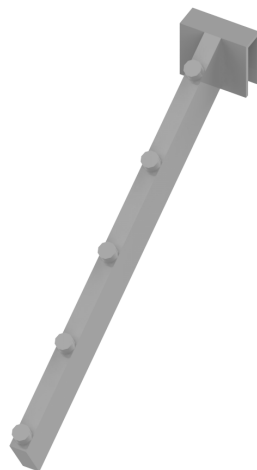


MFY-SLT-WTR-16-7

U-Bar Accessories



MFY-TWL-FC
6", 8" & 10"

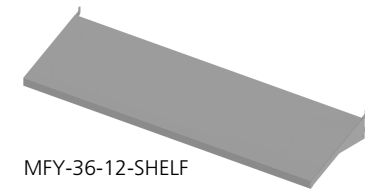


MFY-UBR-FC
6", 8" & 10"

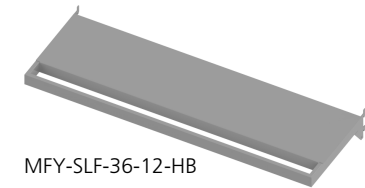


MFY-CSTR-4-PK

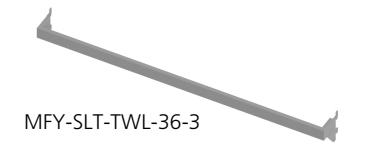
Shelf and Hanger Bars



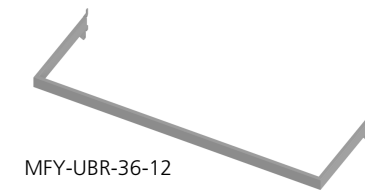
MFY-36-12-SHELF



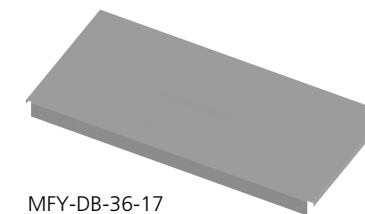
MFY-SLF-36-12-HB



MFY-SLT-TWL-36-3



MFY-UBR-36-12



MFY-DB-36-17

Tools Required



MULTI HEX KEY
(INCLUDED)



PHILLIPS SCREW DRIVER
(NOT INCLUDED)

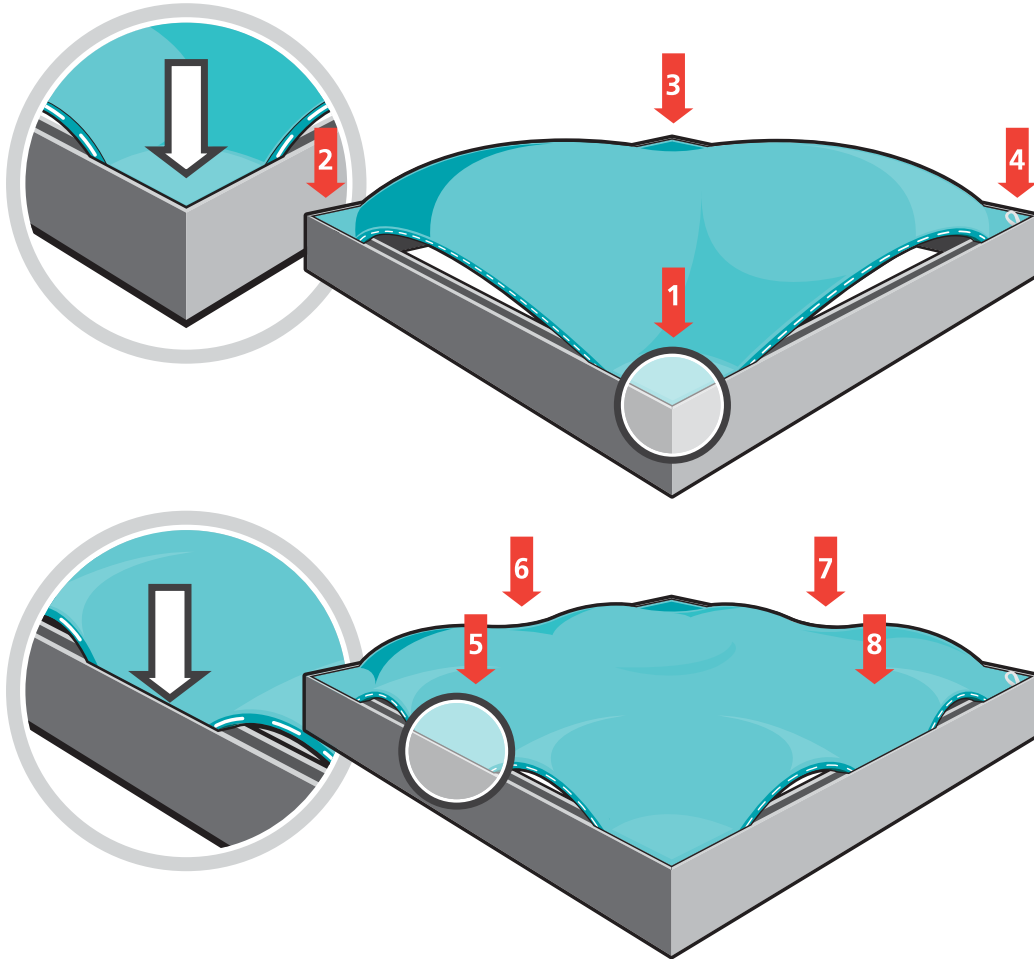


9/16" SOCKET WRENCH
(NOT INCLUDED)

How to Apply & Remove Graphics

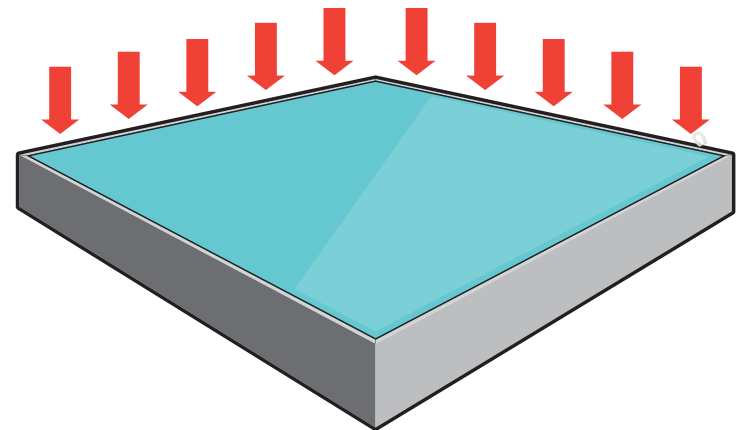
Installation and removal of SEG graphics is easy!

Installation: Push the SEG bead into each corner of the frame (1-4) with your thumb, then push the SEG bead into the middle of the run (5-8) and work your way around the perimeter of the frame until all beading is pushed in properly; if necessary, go around the perimeter again to ensure beading is secure in the extrusion profile.



Note: Keep the set up area clean by using a drop cloth, washing hands before set-up or by wearing gloves.

Removal: Use the pull tab located on the graphic and gently pull the graphic from the frame, going around the perimeter.

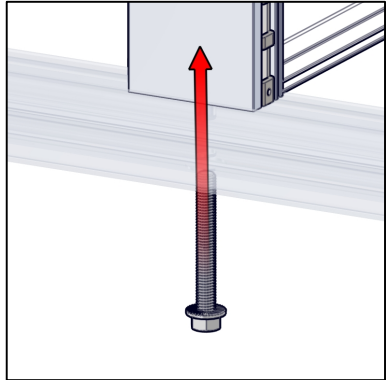


Graphics Storage & Care

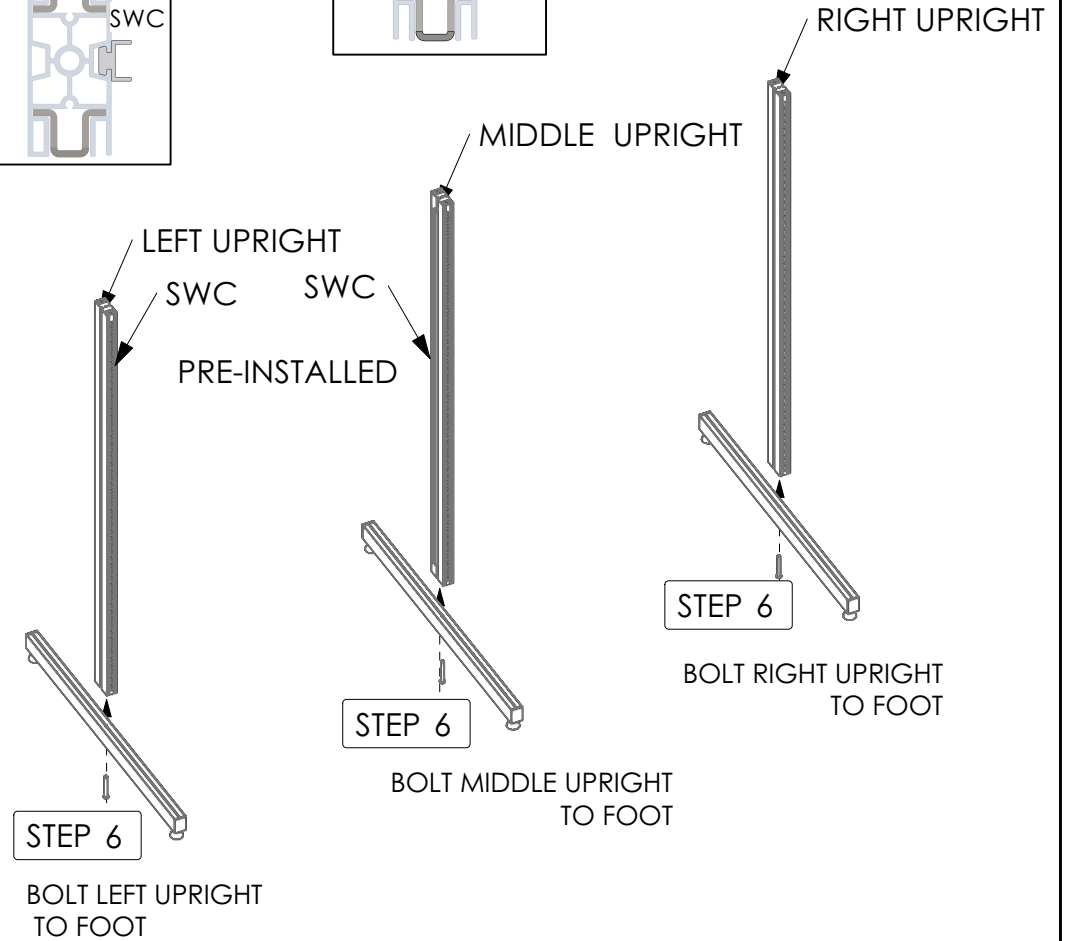
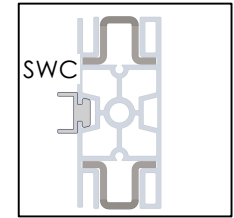
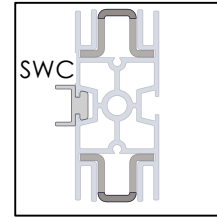
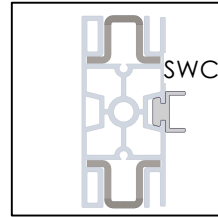
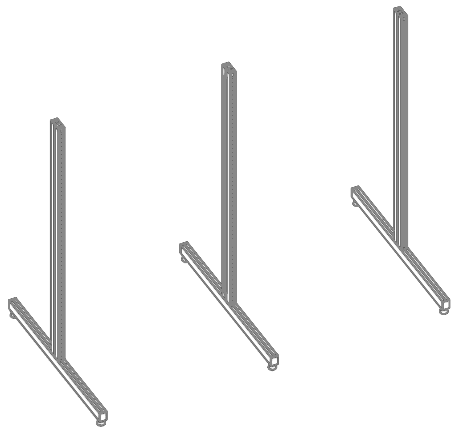
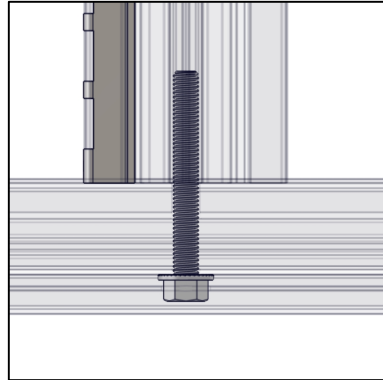
Graphics should be folded with the graphic facing inward and stored in a zip lock /sealable plastic bag. Spot clean by wiping with a damp white cloth. If washing is necessary, use a commercial size front-loading washing machine, gentle cycle with cool water. Line dry flat. Dry cleaning is NOT recommended to prevent shrinkage.

QTY	IMAGE	DESCRIPTION
3		3/8-16 x 2.5-3\"L bolt
1		1435MM (56.50in) LEFT UPRIGHT
1		1435MM (56.50in) OF 832 DOUBLE SIDED UPRIGHT OPEN EXTRUSION
1		947MM (37.28IN) LEFT SUPPORT LEG
2		1335MM (52.56in) OF SWC EXTRUSION
1		947MM (37.28IN) LENGTH OF 824 CORNER POST EXTRUSION -WITH HOLE FOR 3/8 BOLT
1		1435MM (56.50in) OF 832 RIGHT UPRIGHT
1		947MM (37.28IN) RIGHT SUPPORT LEG

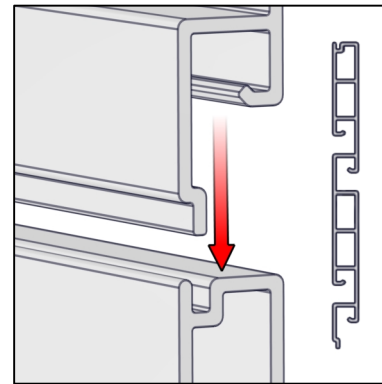
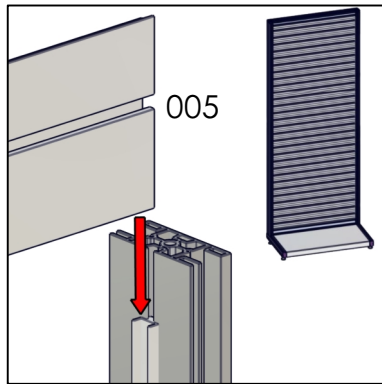
SETUP INSTRUCTIONS



MFY-BOLT-375-16-2.5

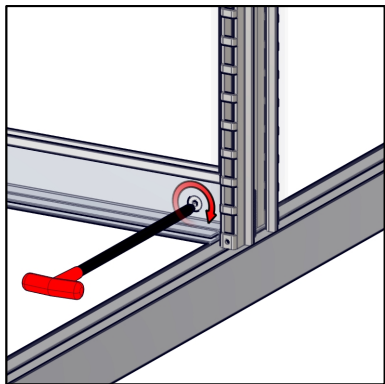


QTY	IMAGE	DESCRIPTION
8		879MM (34.61in) LENGTH OF SLOTWALL EXTRUSION
1		879MM (34.61in) LENGTH OF SLOTWALL EXTRUSION -WITH 30MM BOTTOM CUT
1		883MM (34.76in) OF SWC EXTRUSION
2		883MM (34.76in) OF SINGLE SIDED SEG EXTRUSION -WITH CAM LOCKS BOTH ENDS

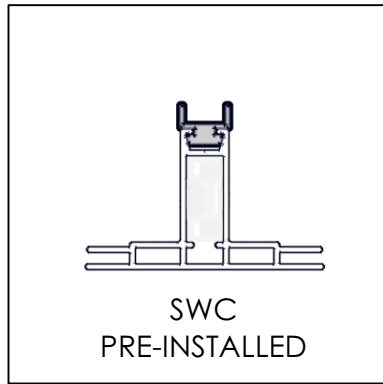


SETUP INSTRUCTIONS

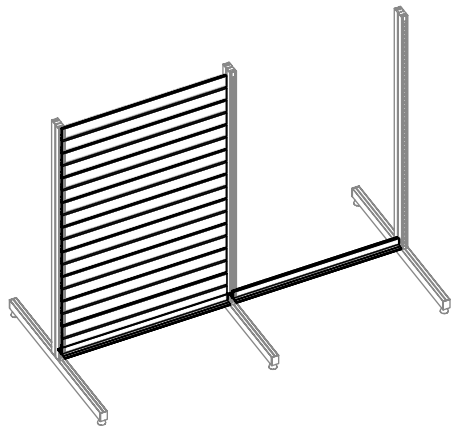
SLOTWALL EXTRUSION



CROSS BRACE SITS ON SUPPORT LEGS

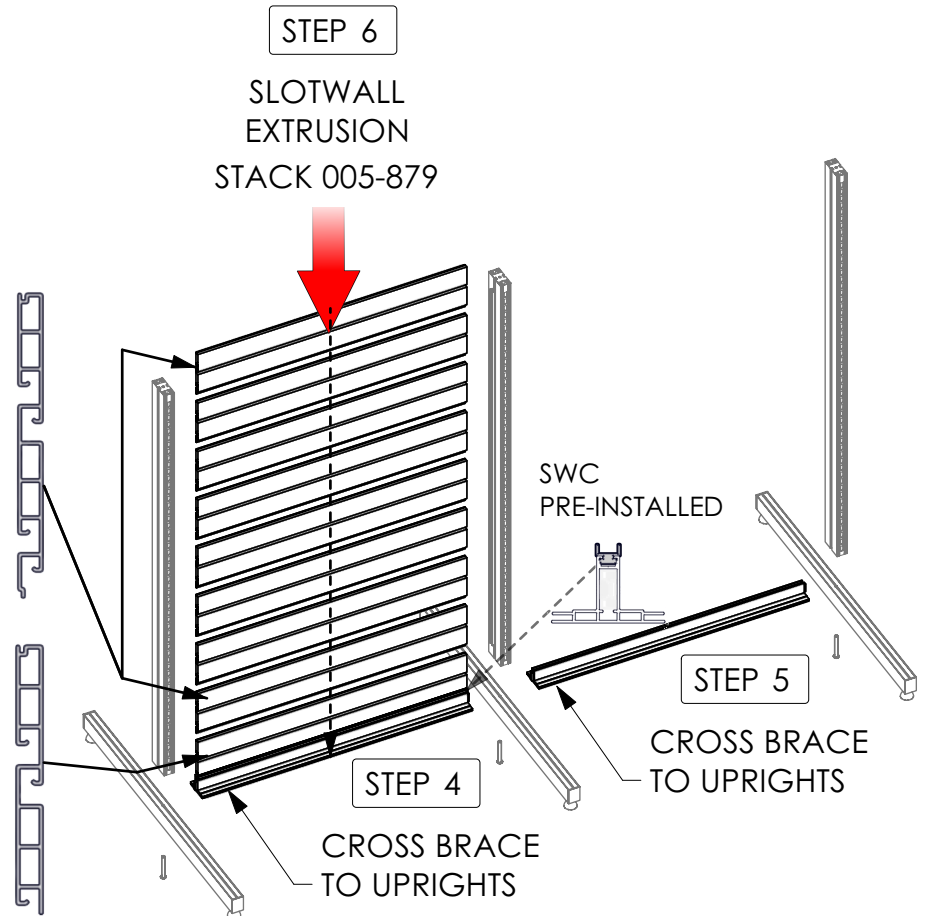


SLOT WALL TOP CHANNEL



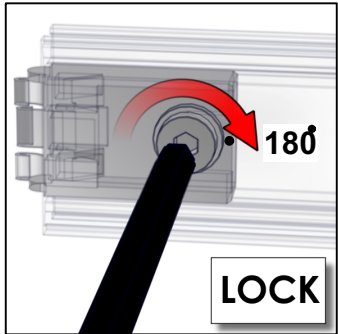
5" HEIGHT
***INSTALL FIRST**
BOTTOM CUT
SLOTWALL

6.125" HEIGHT
SLOTWALL

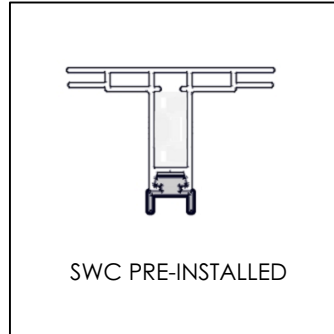
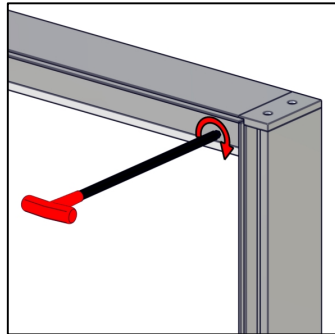


SETUP INSTRUCTIONS

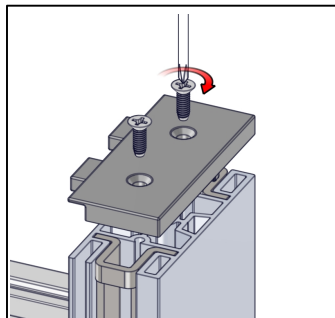
QTY	IMAGE	DESCRIPTION
2		883MM (34.7in) OF SINGLE SIDED SEG EXTRUSION -WITH CAM LOCKS BOTH ENDS
1		883MM (34.7in) OF SWC EXTRUSION
3		7MM SEG PLASTIC END CAP FOR 832 EXTRUSION



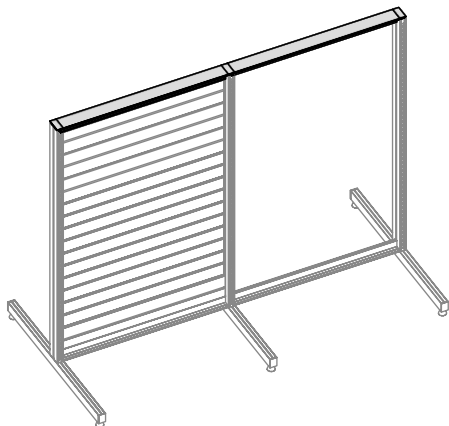
IMPORTANT!
MAKE A HALF TURN
TO LOCK EXTRUSIONS



SLOT WALL BOTTOM
CHANNEL

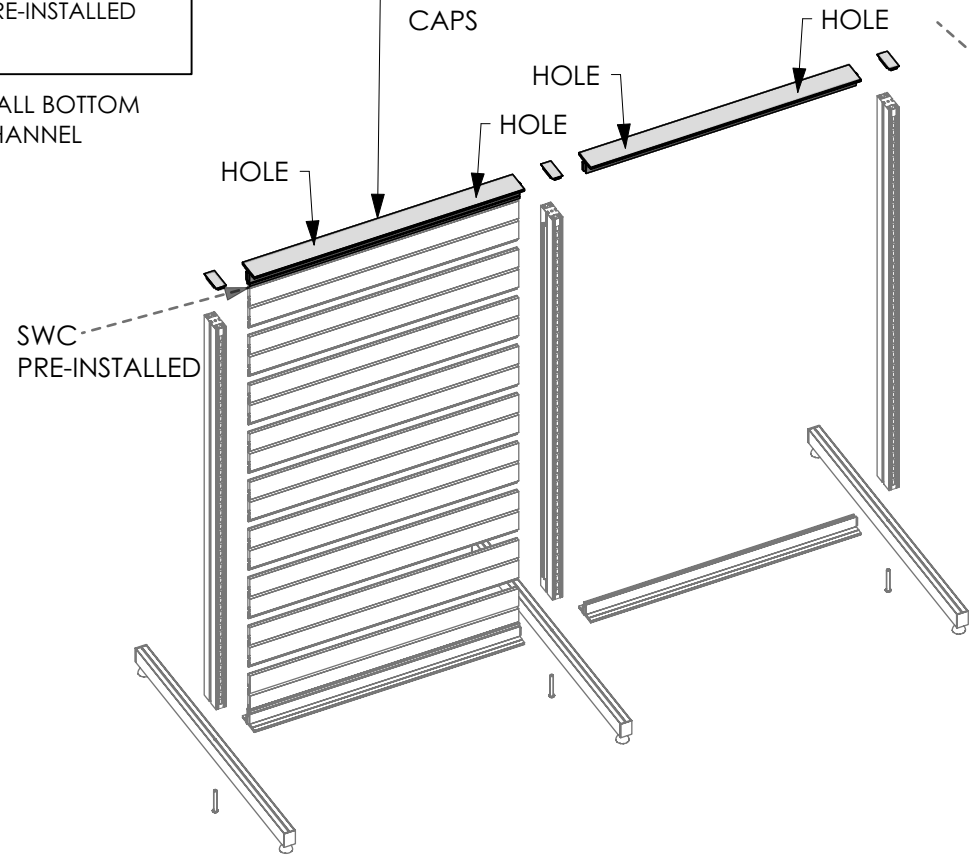


LOOSEN END CAP TO ATTACH
TOP CROSS BRACE



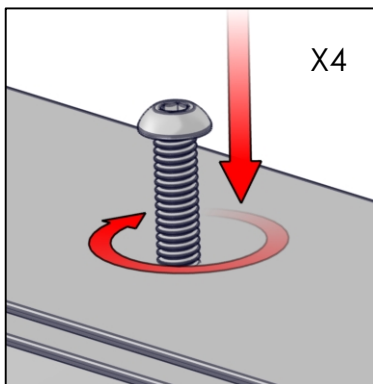
STEP 7

LOCK CROSS BRACE
TO UPRIGHTS AND PLACE END
CAPS

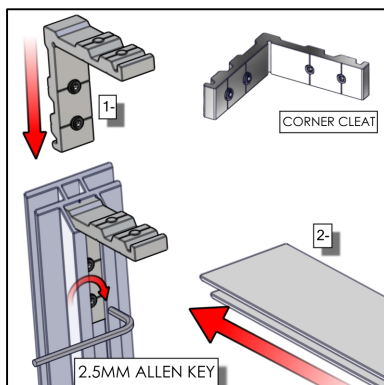


QTY	IMAGE	DESCRIPTION
2		1500MM (59.06in) LENGTH OF WMFCD EXTRUSION 45 DEGREE MITER CUT BOTH ENDS
4		SINGLE VECTOR CORNER CLEAT
2		305MM (12.01in) LENGTH OF WMFCD EXTRUSION 45 DEGREE MITER CUT BOTH ENDS
4		1/4"-20 x 1"L bolt

SETUP INSTRUCTIONS

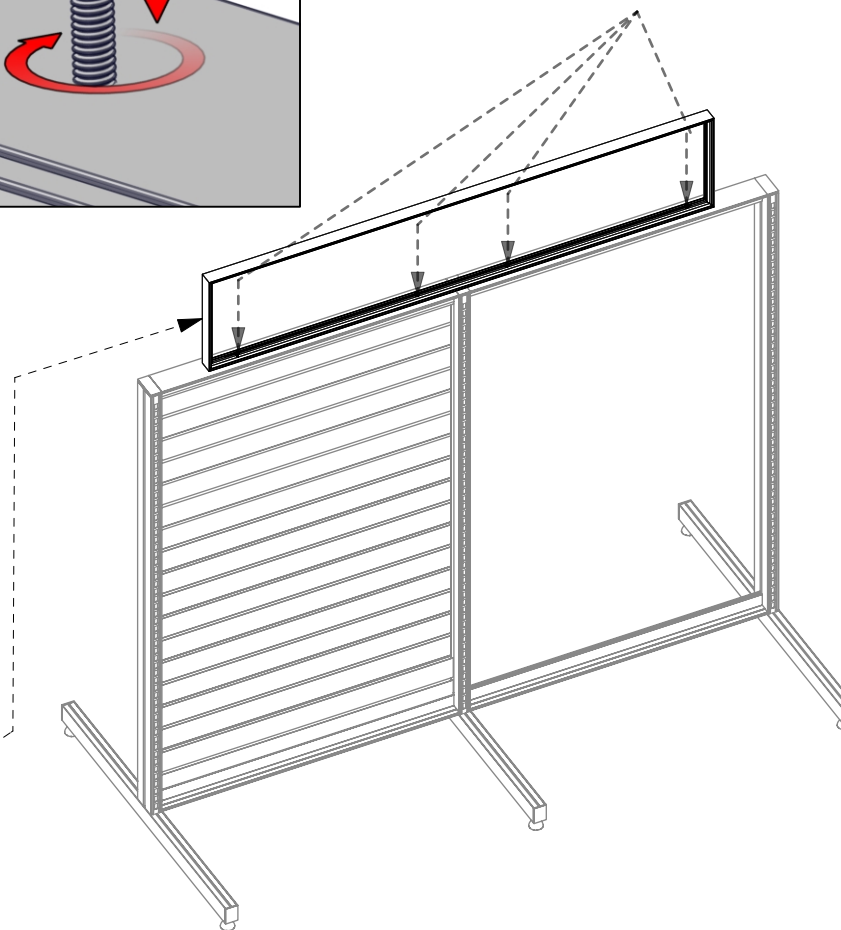
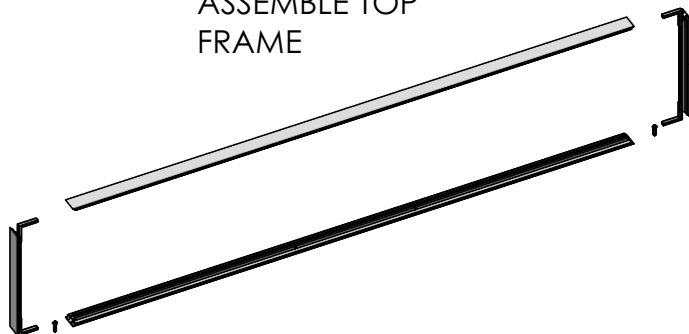


STEP 9
BOLT TOP FRAME
TO CROSS BRACE





CORNER CLEAT

STEP 8
ASSEMBLE TOP
FRAME

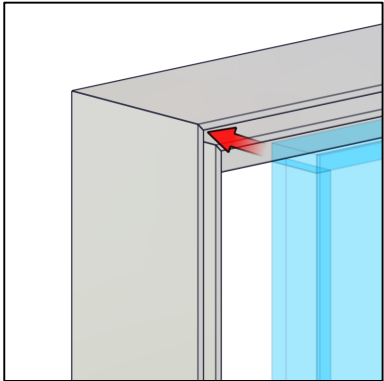
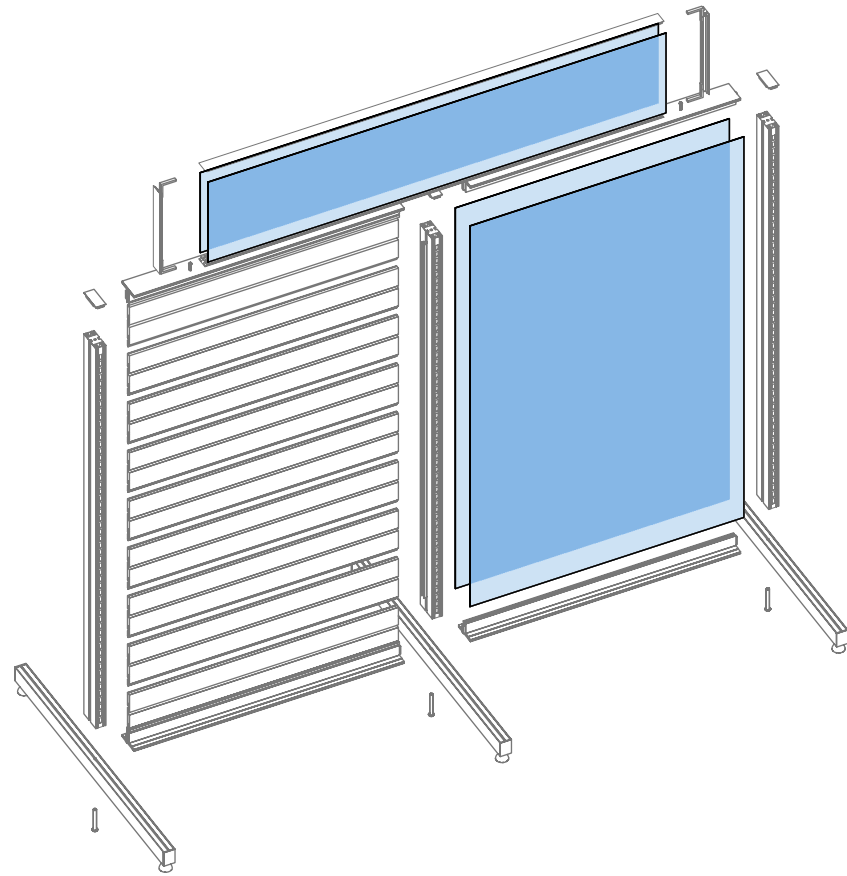


SETUP INSTRUCTIONS

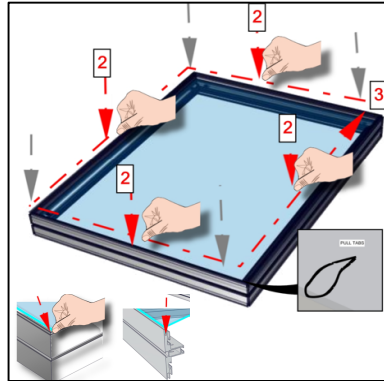
QTY	IMAGE	DESCRIPTION
2		(62.94 w X 15.88 h total size) 58.94 w X 11.88 h finish size, Dye-sub print on Eclipse Blockout Stretch, single sided, sewn with FCE-2 silicone beading around perimeter & pull tab in bottom right corner
2		(39.26 w X 60.59 h total size) 35.26 w X 56.59 h finish size, Dye-sub print on Eclipse Blockout Stretch, single sided, sewn with FCE-2 silicone beading around perimeter & pull tab in bottom right corner (WITH 1/4" NOTCH LEFT & RIGHT BOTTOM HORIZONTAL SIDE CORNERS)

STEP 10

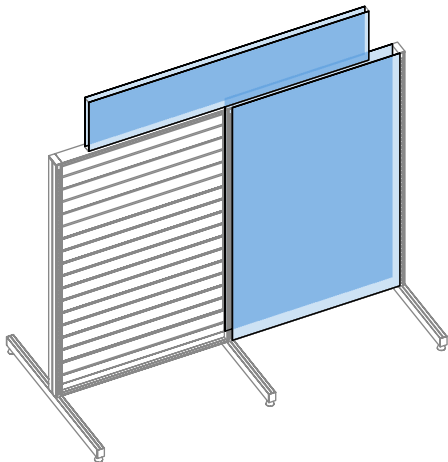
INSTALL GRAPHICS



PRESS GRAPHIC INTO CORNERS

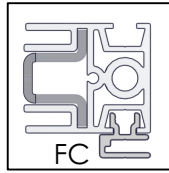


THEN PRESS ALONG THE PERIMETER EDGE

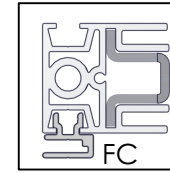


QTY	IMAGE	DESCRIPTION
2		1486MM (58.50in) RIGHT UPRIGHT
4		883MM (34.76in) OF SINGLE SIDED SEG EXTRUSION -WITH CAM LOCKS BOTH ENDS
2		1486MM (58.50in) LEFT UPRIGHT
1		1435MM (56.50in) LENGTH OF BLACK POWDERCOATED METAL SHELF STANDARD EXTRUSION
4		1338MM CUT DOWN FROM 1500MM LENGTH OF FC EXTRUSION
4		883MM CUT DOWN FROM 900MM LENGTH OF FC EXTRUSION-WITH ROUTES
4		7MM SEG PLASTIC END CAP FOR 821 EXTRUSION
4		2.0" END CAP STANDARD STOP, ALUMINUM

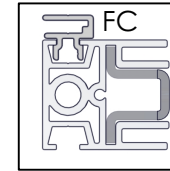
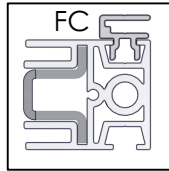
LEFT FRAME



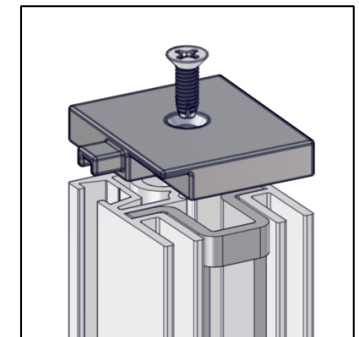
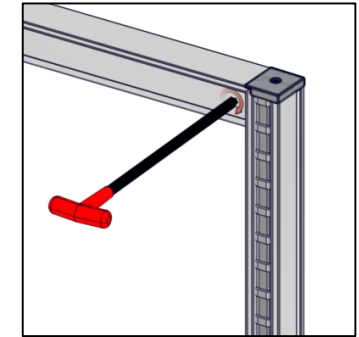
RIGHT FRAME



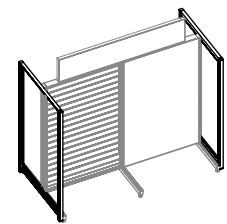
TOP VIEW



SETUP INSTRUCTIONS

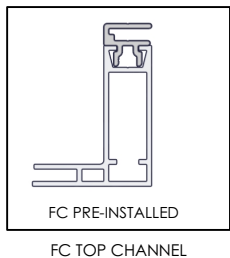
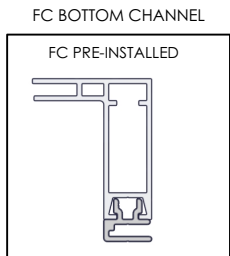


LOOSEN END CAP TO ATTACH TOP CROSS BRACE

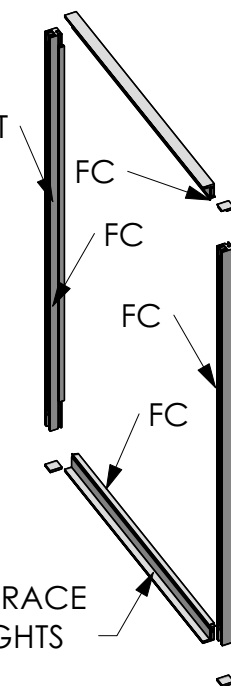


STEP 10

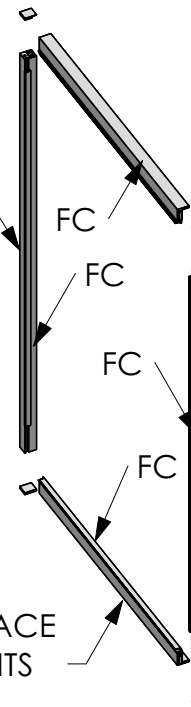
ASSEMBLE LEFT & RIGHT FRAMES



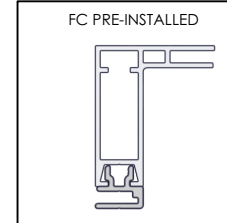
LEFT UPRIGHT



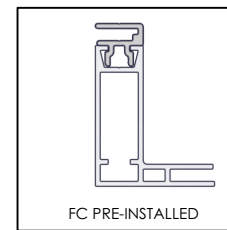
RIGHT UPRIGHT



FC BOTTOM CHANNEL



LEFT UPRIGHT





FC TOP CHANNEL

CROSS BRACE TO UPRIGHTS

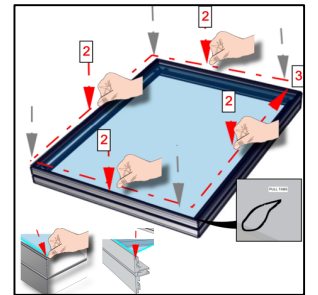
RIGHT UPRIGHT

CROSS BRACE TO UPRIGHTS

ASSEMBLY END FRAMES

QTY	IMAGE	DESCRIPTION
2		(38.65 w X 57.11 h total size) 34.65 w X 53.11 h finish size, Unprinted 5oz. Black Soft Knit, sewn with silicone beading around perimeter & pull tab in bottom right corner
8		1/4"-20 x 1"L bolt

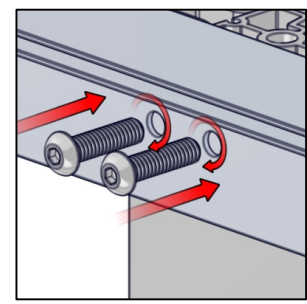
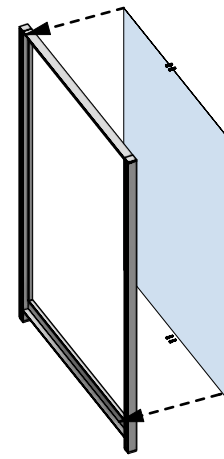
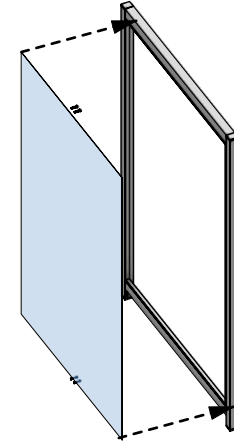
SETUP INSTRUCTIONS



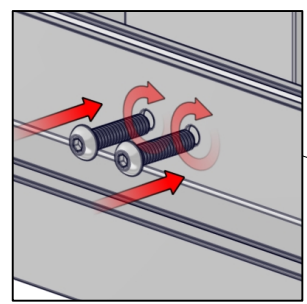
THEN PRESS ALONG THE PERIMETER EDGE

STEP 12

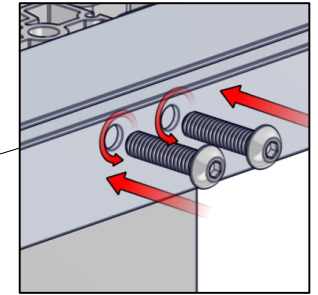
FIRST INSTALL INSIDE GRAPHICS



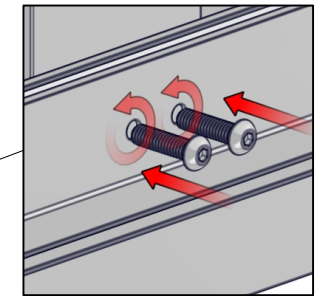
X2 MFY-BOLT-.25-20-1



X2 MFY-BOLT-.25-20-1



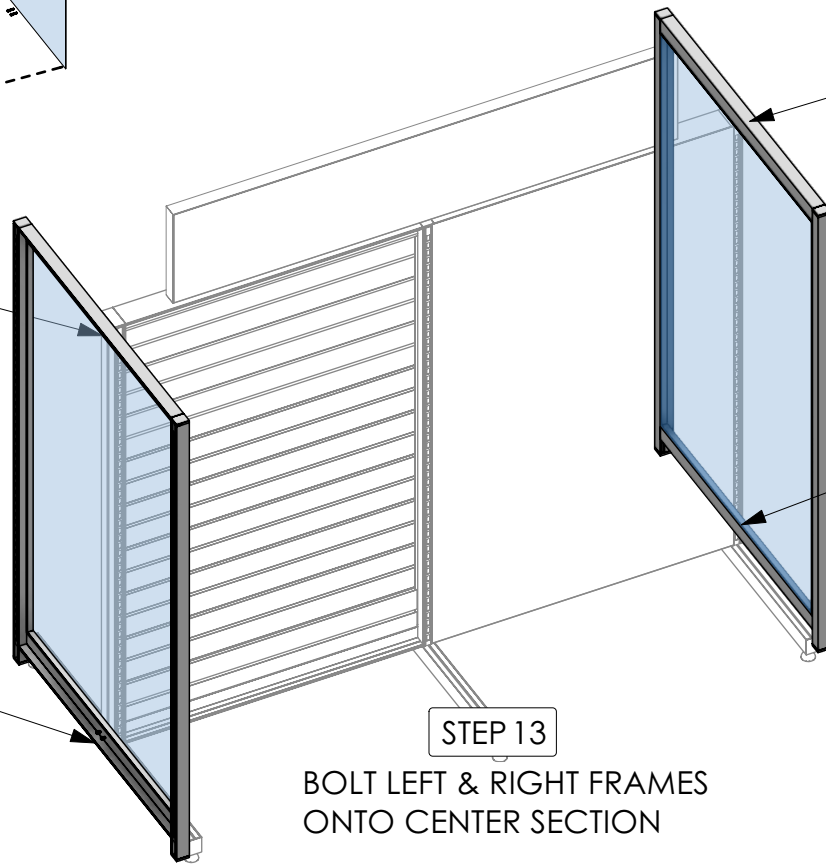
MFY-BOLT-.25-20-1 X2




MFY-BOLT-.25-20-1 X2

STEP 13

BOLT LEFT & RIGHT FRAMES ONTO CENTER SECTION

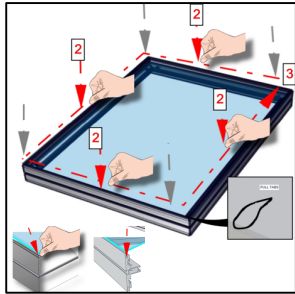


QTY	IMAGE	DESCRIPTION
2		(39.26 w X 60.65 h total size) 35.26 w X 56.65 h finish size, Dye-sub print on Eclipse Blockout Stretch, single sided, sewn with FCE-2 silicone beading around perimeter & pull tab in bottom right corner

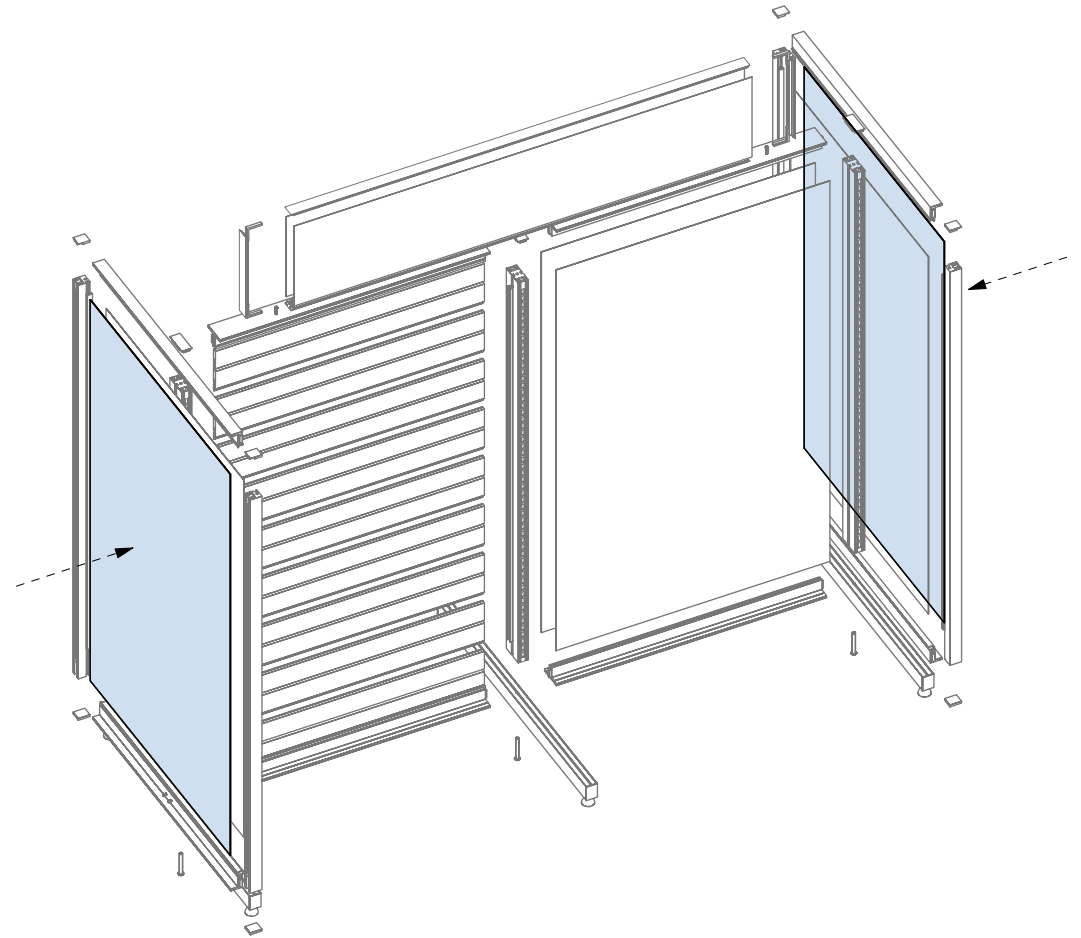
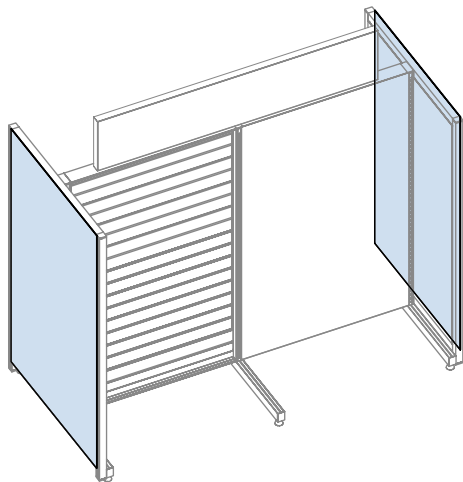
SETUP INSTRUCTIONS

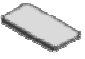
STEP 14

INSTALL OUTSIDE END GRAPHICS

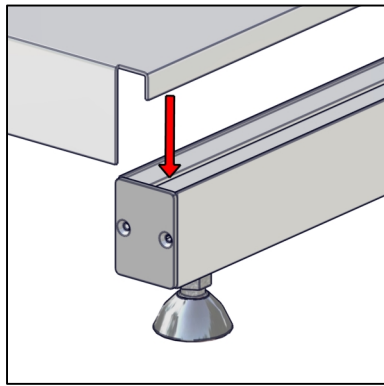


THEN PRESS ALONG THE PERIMETER EDGE

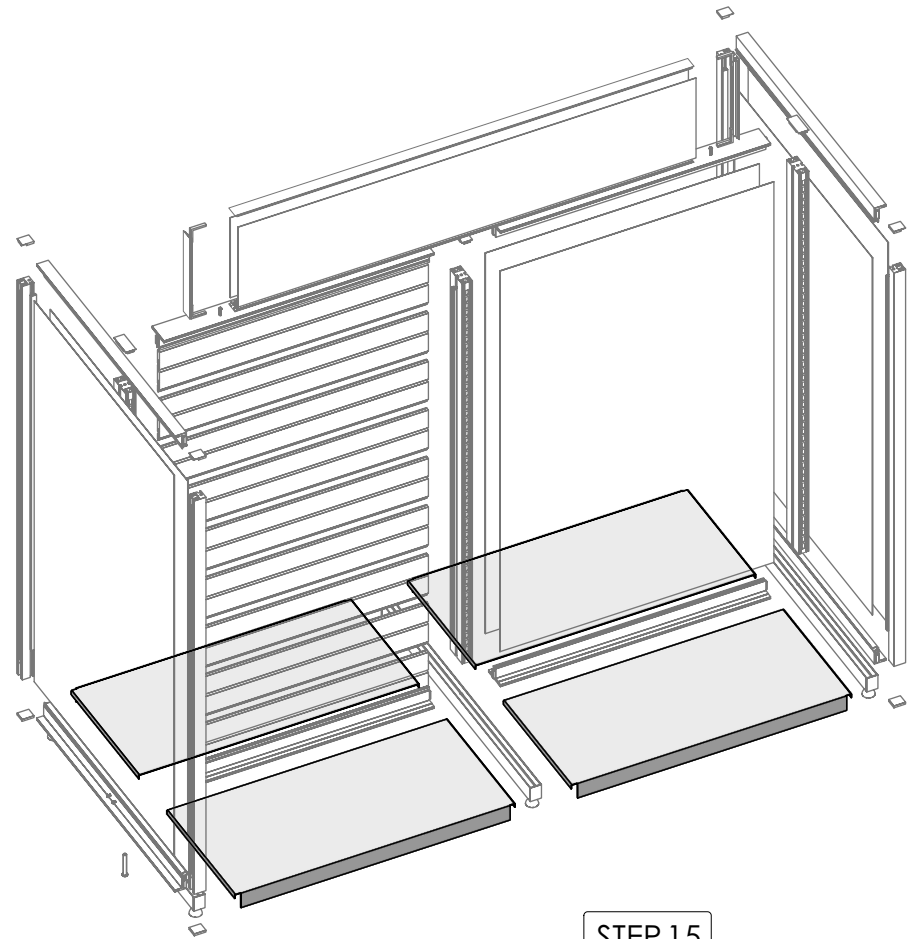
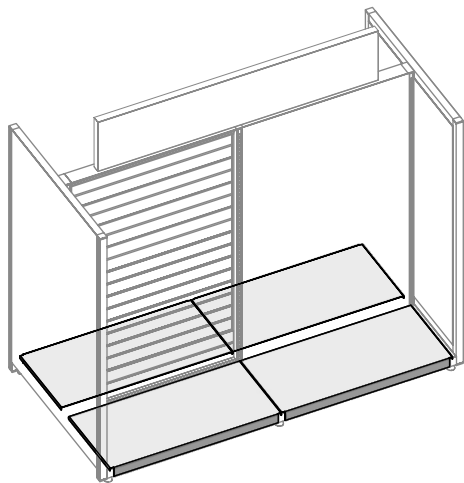


QTY	IMAGE	DESCRIPTION
4		36in WIDE X 17.25in DEEP - DROP-IN BASE PAN

SETUP INSTRUCTIONS






MFY-36-17-BASE-PAN











STEP 15

PLACE BASE PAN
IN GROOVE(FOOT)

Kit Hardware BOM

ITEM	COMPONENTS	QTY	DESCRIPTION
	004-883	2	883MM (34.76in) OF SWC EXTRUSION
	004-1335	2	1335MM (52.56in) OF SWC EXTRUSION
	005-879	8	879MM (34.61in) LENGTH OF SLOTWALL EXTRUSION
	005-879	1	879MM (34.61in) LENGTH OF SLOTWALL EXTRUSION -WITH 30MM BOTTOM CUT
	302-883-23-23	4	883MM CUT DOWN FROM 900MM LENGTH OF FC EXTRUSION-WITH ROUTES
	302-1338	4	1338MM CUT DOWN FROM 1500MM LENGTH OF FC EXTRUSION
	306-305-15-15	2	305MM (12.01in) LENGTH OF WMFCD EXTRUSION 45 DEGREE MITER CUT BOTH ENDS
	306-1500-15-15	2	1500MM (59.06in) LENGTH OF WMFCD EXTRUSION 45 DEGREE MITER CUT BOTH ENDS
	810-883-01-01	4	883MM (34.76in) OF SINGLE SIDED SEG EXTRUSION -WITH CAM LOCKS BOTH ENDS
	821-1486	2	1486MM (58.50in) RIGHT UPRIGHT
	821-1486	2	1486MM (58.50in) LEFT UPRIGHT
	821-EC	4	7MM SEG PLASTIC END CAP FOR 821 EXTRUSION
	824-947	1	947MM (37.28in) LEFT SUPPORT LEG
	824-947	1	947MM (37.28in) RIGHT SUPPORT LEG
	824-947	1	947MM (37.28in) LENGTH OF 824 CORNER POST EXTRUSION -WITH HOLE FOR 3/8 BOLT
	825-STOP-20A	4	2.0" END CAP STANDARD STOP, ALUMINUM
	832-1435	1	1435MM (56.50in) LEFT UPRIGHT
	832-1435	1	1435MM (56.50in) OF 832 DOUBLE SIDED UPRIGHT OPEN EXTRUSION
	832-1435	1	1435MM (56.50in) OF 832 RIGHT UPRIGHT
	832-EC	3	7MM SEG PLASTIC END CAP FOR 832 EXTRUSION
	835-883-01-01	4	883MM (34.76in) OF SINGLE SIDED SEG EXTRUSION -WITH CAM LOCKS BOTH ENDS
	MFY-36-17-BASE-PAN	4	36in WIDE X 17.25in DEEP - DROP-IN BASE PAN
	MFY-BOLT-.25-20-1	12	1/4"-20 x 1"L bolt
	MFY-BOLT-375-16-2.5	3	3/8-16 x 2.5-3"L bolt
	MFY-SLF-STD-56.5-PW	1	EXTRUSION
	VF-CC	4	SINGLE VECTOR CORNER CLEAT

Kit Graphics BOM

	MFY-GN-01-A-G	1	(39.26 w X 60.65 h total size) 35.26 w X 56.65 h finish size, Dye-sub print on Eclipse Blockout Stretch, single sided, sewn with FCE-2 silicone beading around perimeter & pull tab in bottom right corner
	MFY-GN-01-B-G	1	(38.65 w X 57.11 h total size) 34.65 w X 53.11 h finish size, Unprinted 5oz. Black Soft Knit, sewn with silicone beading around perimeter & pull tab in bottom right corner
	MFY-GN-01-C-G	1	(39.26 w X 60.59 h total size) 35.26 w X 56.59 h finish size, Dye-sub print on Eclipse Blockout Stretch, single sided, sewn with FCE-2 silicone beading around perimeter & pull tab in bottom right corner (WITH 1/4" NOTCH LEFT & RIGHT BOTTOM HORIZONTAL SIDE CORNERS)
	MFY-GN-01-D-G	1	(38.65 w X 57.11 h total size) 34.65 w X 53.11 h finish size, Unprinted 5oz. Black Soft Knit, sewn with silicone beading around perimeter & pull tab in bottom right corner
	MFY-GN-01-E-G	1	(39.26 w X 60.65 h total size) 35.26 w X 56.65 h finish size, Dye-sub print on Eclipse Blockout Stretch, single sided, sewn with FCE-2 silicone beading around perimeter & pull tab in bottom right corner
	MFY-GN-01-F-G	1	(39.26 w X 60.59 h total size) 35.26 w X 56.59 h finish size, Dye-sub print on Eclipse Blockout Stretch, single sided, sewn with FCE-2 silicone beading around perimeter & pull tab in bottom right corner (WITH 1/4" NOTCH LEFT & RIGHT BOTTOM HORIZONTAL SIDE CORNERS)
	MFY-GN-01-G-G	1	(62.94 w X 15.88 h total size) 58.94 w X 11.88 h finish size, Dye-sub print on Eclipse Blockout Stretch, single sided, sewn with FCE-2 silicone beading around perimeter & pull tab in bottom right corner
	MFY-GN-01-H-G	1	(62.94 w X 15.88 h total size) 58.94 w X 11.88 h finish size, Dye-sub print on Eclipse Blockout Stretch, single sided, sewn with FCE-2 silicone beading around perimeter & pull tab in bottom right corner