

# MODify Single Sided Kit 05

MODify™ is a one-of-a-kind Modular Merchandising System that is made up of interchangeable fixtures and accessories that can be easily assembled, disassembled, and rearranged to create a variety of different display configurations. The MODify system incorporates SEG push-fit fabric graphics that enable you to brand, promote and merchandise with ease.

MODify Single Sided Kit 05 combines one slatwall panel and one SEG push-fit graphic panel to create the ideal retail display. With this kit, you can showcase your products with ease by using fixtures like hooks, shelves, waterfalls, or faceout bars; add Ubars and towel bars too! Moreover, the kit allows for easy swapping of the graphic panel for seasonal changes, brand changes, product changes and promotions.



MODify Single Sided Kits should be mounted to a wall or structure for safety and stability.

We are continually improving and modifying our product range and reserve the right to vary the specifications without prior notice. All dimensions and weights quoted are approximate and we accept no responsibility for variance. E&OE. See Graphic Templates for graphic bleed specifications

## features and benefits:

Base Kit includes:

- Frame, slatwall, shelf and base colors in kit are all the same, your choice of all white, black, or silver
- Heavy-duty aluminum frame, steel base
- Steel, slotted uprights
- One 35" W x 96" H slatwall panel
- One 35" W x 93" H SEG push-fit graphic panel
- Non-rolling base
- Display is easy to assemble and install
- Lifetime hardware warranty against manufacturer defects

Optional Accessories Include:

- Towel bars.
- Faceout bars
- Waterfalls
- Nesting Tables 03 & 04
- U bars
- Slatwall hooks
- Shelves

## dimensions:

### Hardware

Assembled unit:

74" W x 96" H x 19" D  
1879.6mm(w) x 2438.4mm(h) x 482.6mm(d)

Approximate Weight:  
129 lbs / 58.5134 kg

### Shipping

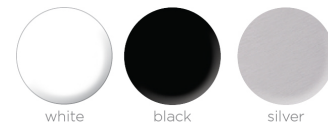
Packing case(s):  
1 Box

Shipping dimensions:  
(96" L x 14" H x 24" D)  
2438.4mm(l) x 355.6mm(h) x 609.6mm(d)

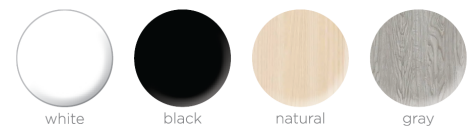
Approximate shipping weight:  
188 lbs / 85.2754 kg

## additional information:

Powder coat color options:



Wood laminate color options:



### Graphics

Graphic material: Dye-sublimated fabric

See graphic templates for graphic sizes.

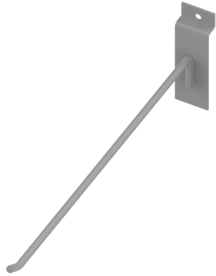
Refer to related graphic templates for more information Visit:

<https://www.theexhibitorshandbook.com/downloads/download-graphic-templates>  
or click here

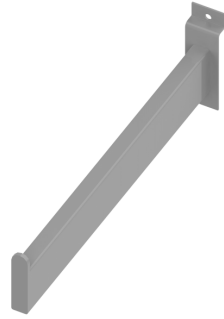
# MODify Accessories

All Accessories available in white, black, or silver

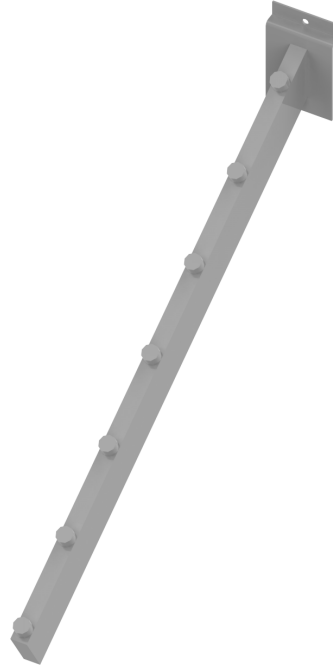
## Slotwall Accessories



MFY-SLT-HK  
4", 6", 8", 10" & 12"

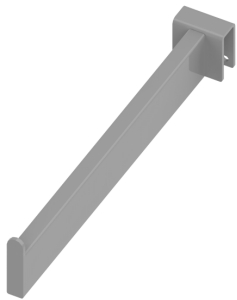


MFY-SLT-FC  
6", 8", 10" & 12"

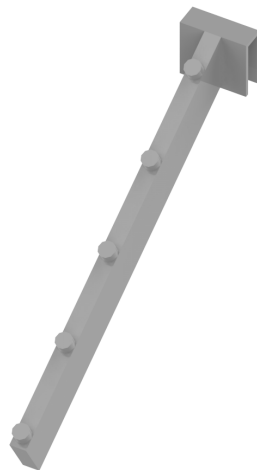


MFY-SLT-WTR-16-7

## U-Bar Accessories

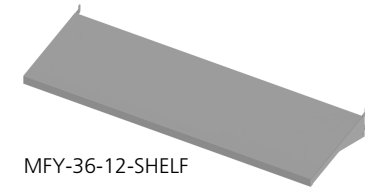


MFY-TWL-FC  
6", 8" & 10"

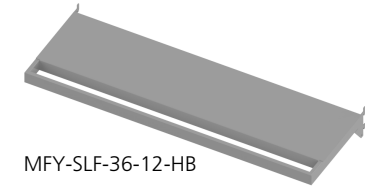


MFY-UBR-FC  
6", 8" & 10"

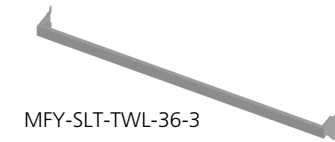
## Shelf and Hanger Bars



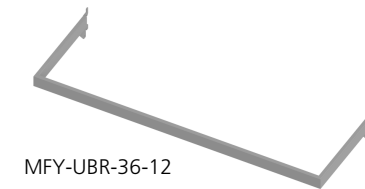
MFY-36-12-SHELF



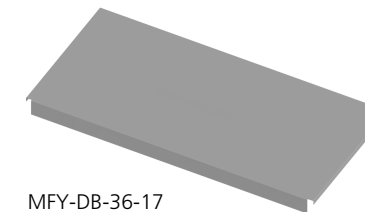
MFY-SLF-36-12-HB



MFY-SLT-TWL-36-3



MFY-UBR-36-12



MFY-DB-36-17

# Tools Required



MULTI HEX KEY  
(INCLUDED)



PHILLIPS SCREW DRIVER  
(NOT INCLUDED)

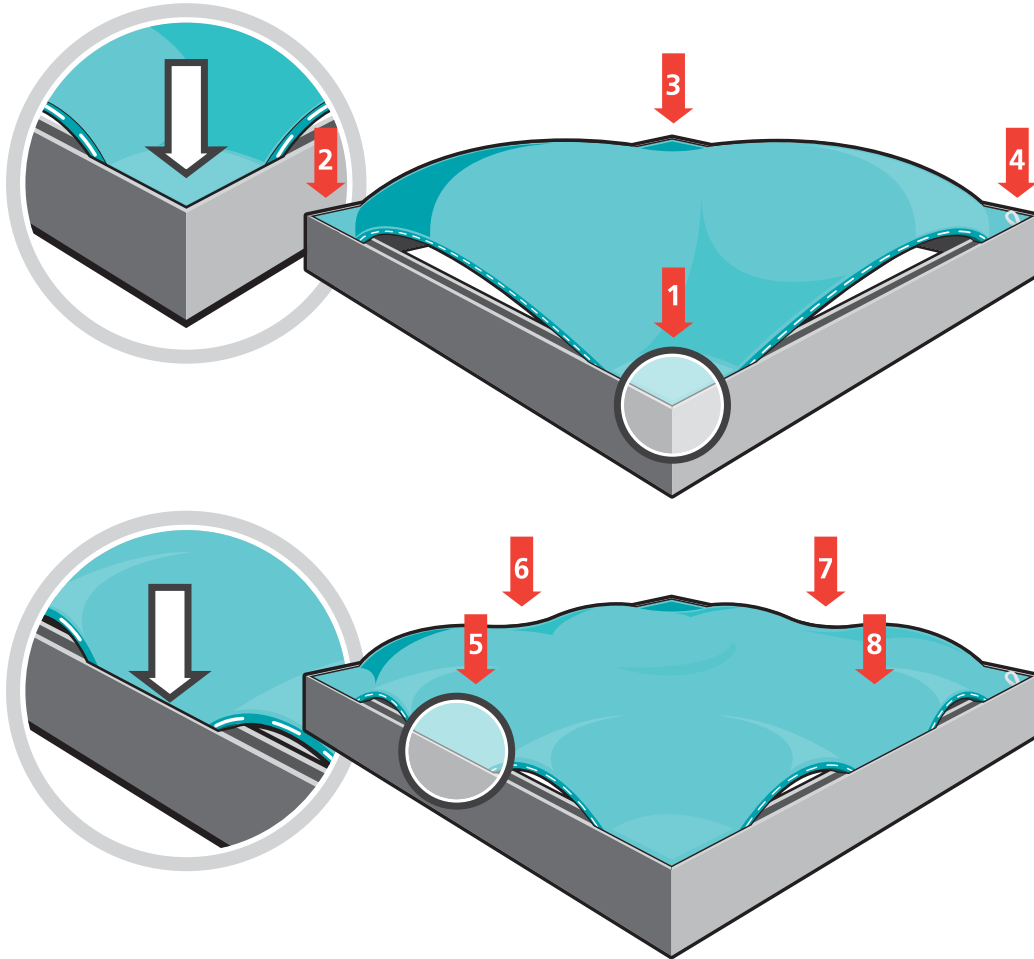


9/16" SOCKET WRENCH  
(NOT INCLUDED)

## How to Apply & Remove Graphics

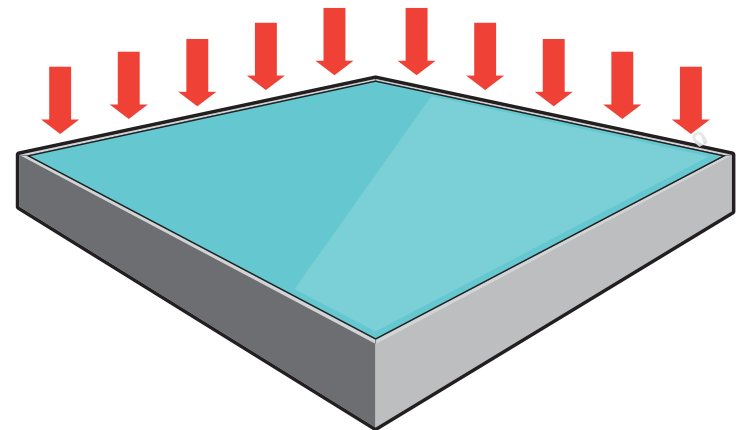
Installation and removal of SEG graphics is easy!

**Installation:** Push the SEG bead into each corner of the frame (1-4) with your thumb, then push the SEG bead into the middle of the run (5-8) and work your way around the perimeter of the frame until all beading is pushed in properly; if necessary, go around the perimeter again to ensure beading is secure in the extrusion profile.









**Note:** Keep the set up area clean by using a drop cloth, washing hands before set-up or by wearing gloves.

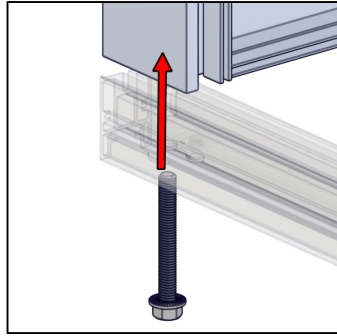
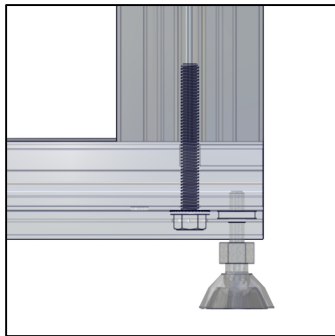
**Removal:** Use the pull tab located on the graphic and gently pull the graphic from the frame, going around the perimeter.



## Graphics Storage & Care

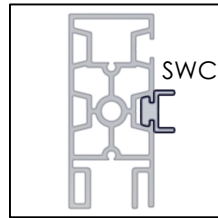
Graphics should be folded with the graphic facing inward and stored in a zip lock /sealable plastic bag. Spot clean by wiping with a damp white cloth. If washing is necessary, use a commercial size front-loading washing machine, gentle cycle with cool water. Line dry flat. Dry cleaning is NOT recommended to prevent shrinkage.

QTY	IMAGE	DESCRIPTION
3		3/8-16 x 2.5" L bolt
1		2350MM (92.52in) RIGHT UPRIGHT
3		512MM (20.16IN) SUPPORT LEG
1		2350MM (92.52in) MIDDLE UPRIGHT
2		2250MM (88.58in) OF SWC EXTRUSION
1		2350MM (92.52in) LEFT UPRIGHT

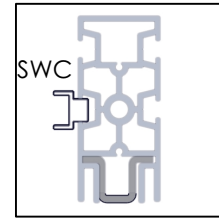


MFY-BOLT-375-16-2.5

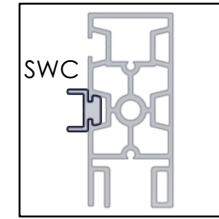
### SETUP INSTRUCTIONS



LEFT UPRIGHT



MIDDLE UPRIGHT

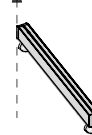
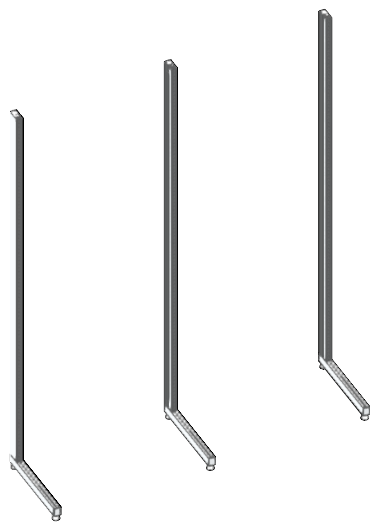


RIGHT UPRIGHT

SWC  
PRE-INSTALLED

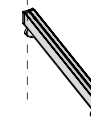
SWC

SWC



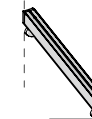
STEP 1

BOLT LEFT UPRIGHT TO FOOT



STEP 2

BOLT MIDDLE UPRIGHT TO FOOT

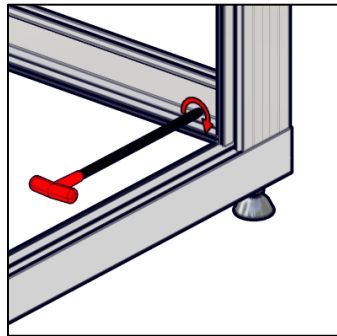


STEP 3

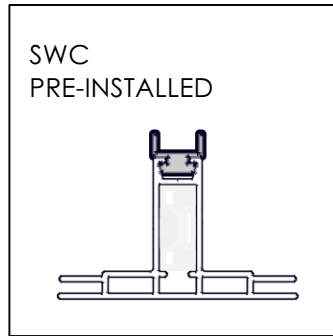
BOLT RIGHT UPRIGHT TO FOOT

Disclaimer: Unit must be permanently secured and fastened to wall or other structure for stability.

QTY	IMAGE	DESCRIPTION
2		883MM (34.76in) OF 835 DOUBLE SIDED SEG EXTRUSION -WITH CAM LOCKS BOTH ENDS
1		883MM (34.76in) OF SWC EXTRUSION
4		WALL BRACKET



CROSS BRACE SITS ON SUPPORT LEG

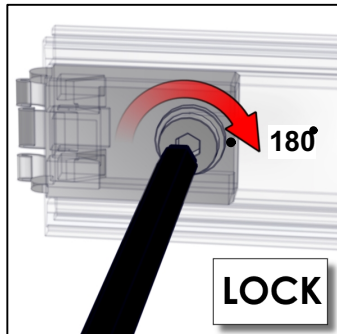


SWC PRE-INSTALLED

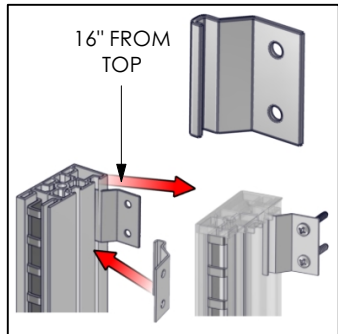
## SETUP INSTRUCTIONS

**STEP 6**

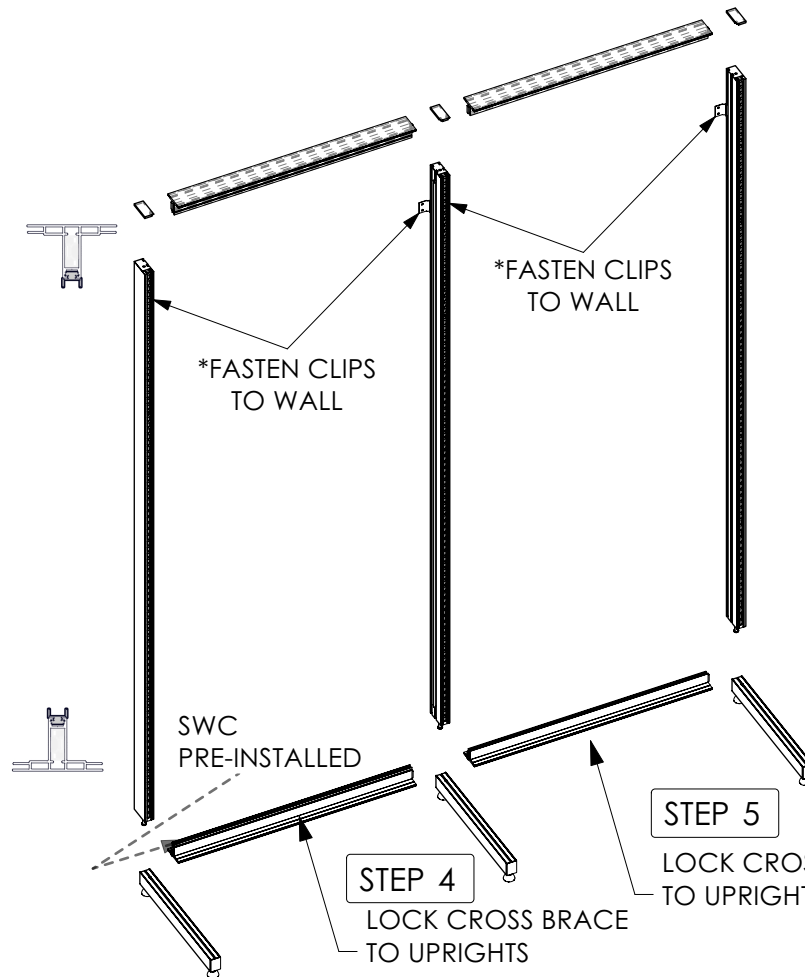
\* LOCK TOP CROSS BRACE AND PLACE END CAPS TO ALIGN WALL BRACKETS (TEMPORARY INSTALLED)



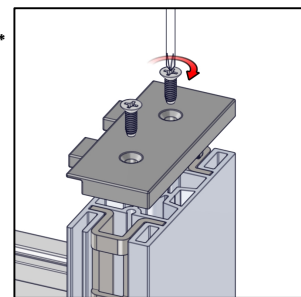
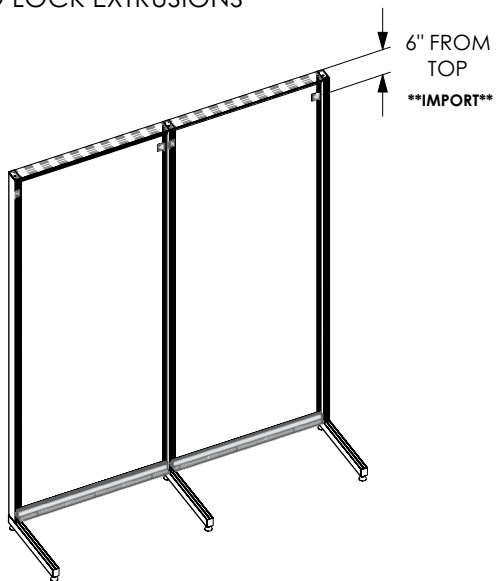
**LOCK**  
IMPORTANT!  
MAKE A HALF TURN  
TO LOCK EXTRUSIONS



WALL MOUNT CLIPS



NOTE: BOTTOM CROSS BRACE SITS ON TOP INSIDE EDGE OF LEFT AND RIGHT SUPPORT LEG

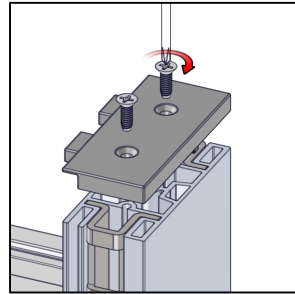


LOOSEN END CAP TO ATTACH TOP CROSS BRACE

Disclaimer: Unit must be permanently secured and fastened to wall or other structure for stability.

# SETUP INSTRUCTIONS

QTY	IMAGE	DESCRIPTION
2		883MM (34.76in) OF 835 DOUBLE SIDED SEG EXTRUSION -WITH CAM LOCKS BOTH ENDS
14		879MM (34.61in) LENGTH OF SLOTWALL EXTRUSION
1		879MM (34.61in) LENGTH OF SLOTWALL EXTRUSION -WITH 27.75MM BOTTOM CUT
1		883MM (34.76in) OF SWC EXTRUSION
2		7MM SEG PLASTIC END CAP FOR 831 EXTRUSION
1		7MM SEG PLASTIC END CAP FOR 830 EXTRUSION



LOOSEN END CAP TO ATTACH TOP CROSS BRACE

## STEP 7

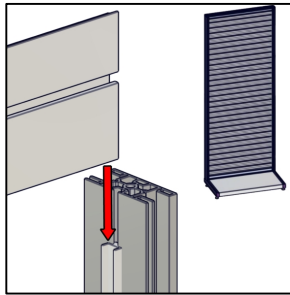
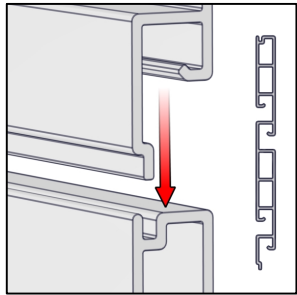
\* REMOVE TOP CROSS BRACE AND END CAPS (TEMPORARY INSTALLED)

## STEP 8

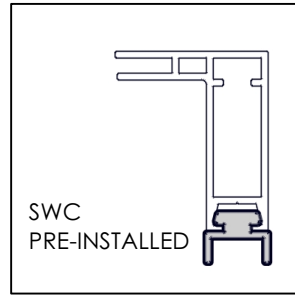
SLOTWALL EXTRUSION STACK 005-879

## STEP 9

LOCK CROSS BRACE TO UPRIGHTS AND PLACE END CAPS

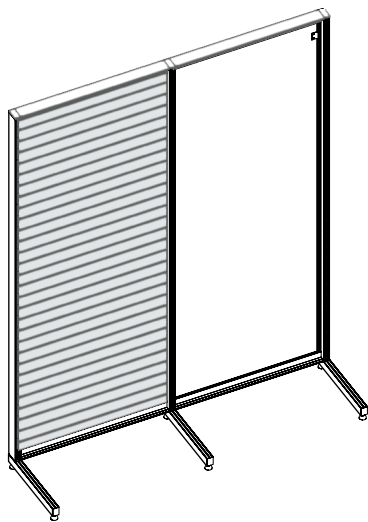
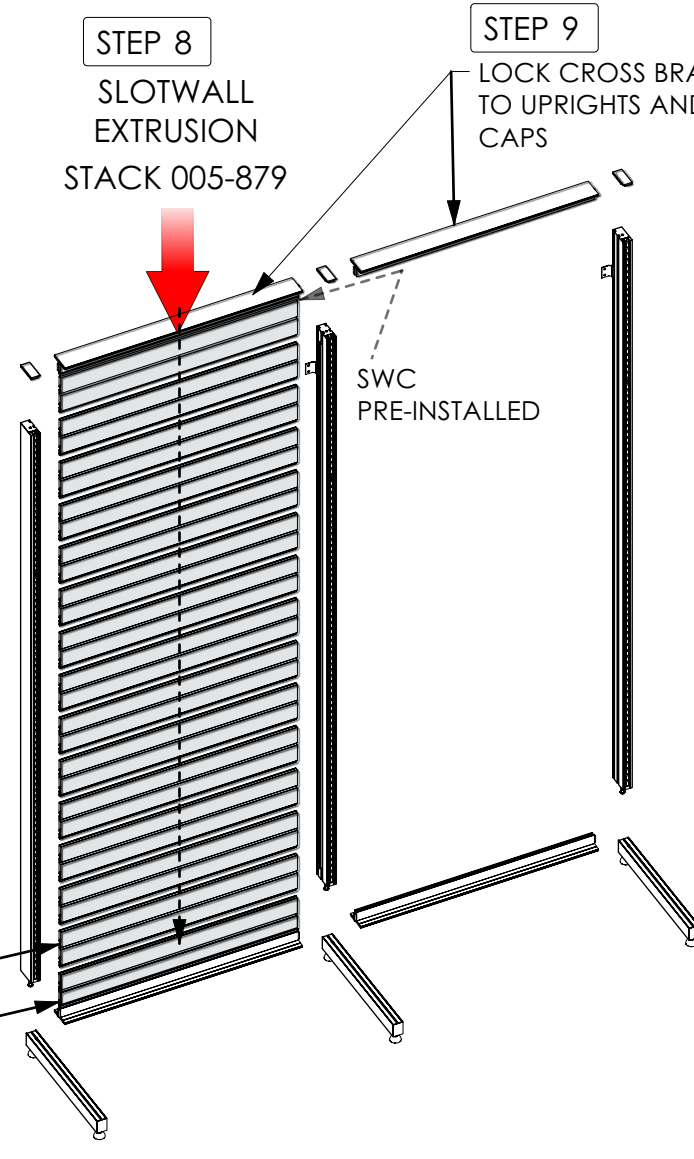


SLOTWALL 005



SWC PRE-INSTALLED

SLOT WALL BOTTOM CHANNEL





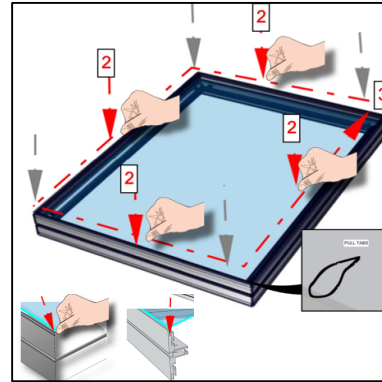
SLOTWALL

BOTTOM CUT SLOTWALL

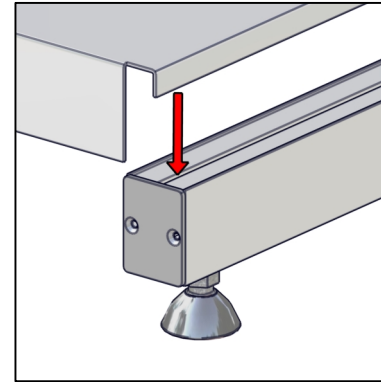


SETUP INSTRUCTIONS

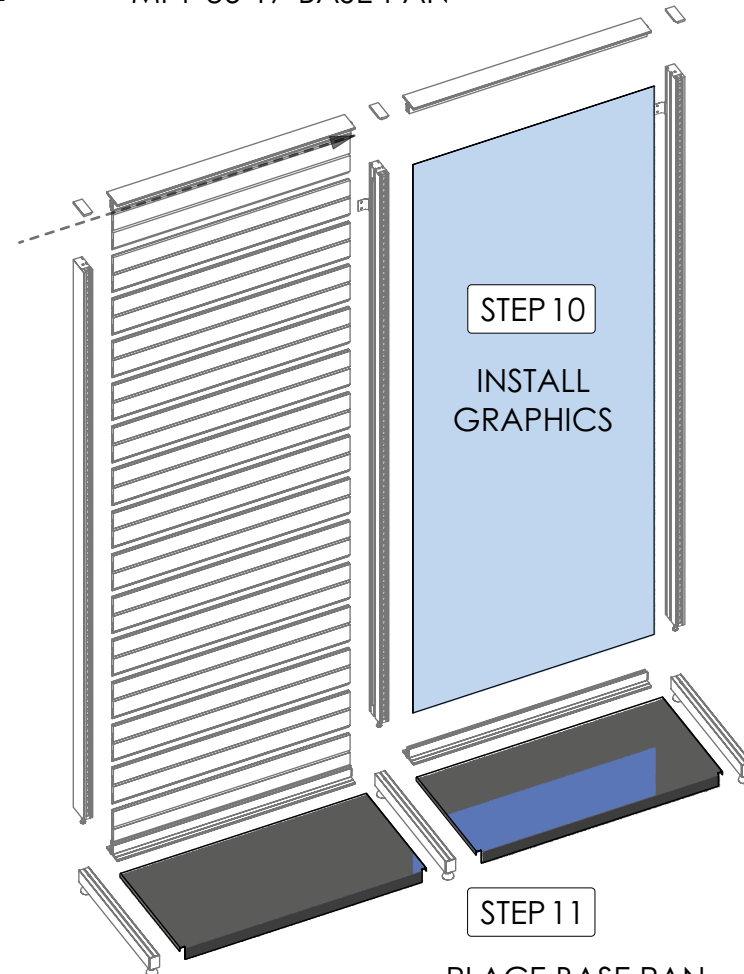
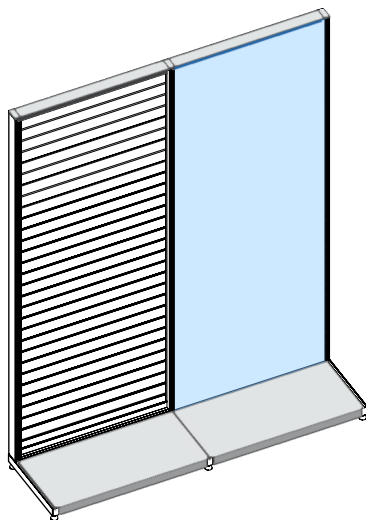
1		<p>(39.26 w X 96.61 h total size )          35.26 w X 92.61 h finish size,          Dye-sub print on Eclipse          Blockout Stretch, single sided,          sewn with FCE-2 silicone          beading around perimeter &amp;          pull tab in bottom right corner          (WITH 1/4" NOTCH LEFT &amp;          RIGHT BOTTOM HORIZONTAL          SIDE CORNERS)</p>
2		<p>36in WIDE X 17.25in DEEP -          DROP-IN BASE PAN</p>



THEN PRESS ALONG THE PERIMETER EDGE



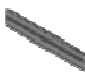
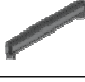

MFY-36-17-BASE-PAN




PLACE BASE PAN IN GROOVE (FOOT)



# Kit Hardware BOM

ITEM	COMPONENTS	QTY	DESCRIPTION
	004-883	2	883MM (34.76in) OF SWC EXTRUSION
	004-2250	2	2250MM (88.58in) OF SWC EXTRUSION
	005-879	14	879MM (34.61in) LENGTH OF SLOTWALL EXTRUSION
	005-879	1	879MM (34.61in) LENGTH OF SLOTWALL EXTRUSION -WITH 27.75MM BOTTOM CUT
	824-512	3	512MM (20.16in) SUPPORT LEG
	830-2350	1	2350MM (92.52in) MIDDLE UPRIGHT
	830-EC	1	7MM SEG PLASTIC END CAP FOR 830 EXTRUSION
	831-2350	1	2350MM (92.52in) LEFT UPRIGHT
	831-2350	1	2350MM (92.52in) RIGHT UPRIGHT
	831-EC	2	7MM SEG PLASTIC END CAP FOR 831 EXTRUSION
	835-883-01-01	4	883MM (34.76in) OF 835 DOUBLE SIDED SEG EXTRUSION -WITH CAM LOCKS BOTH ENDS
	MFY-BOLT-375-16-2.5	3	3/8-16 x 2.5"L bolt
	MFY-BRKT3	4	WALL BRACKET
	MFY-DB-36-17	2	36in WIDE X 17.25in DEEP - DROP-IN BASE PAN

# Kit Graphics BOM

ITEM	COMPONENTS	QTY	DESCRIPTION
	MFY-SS-05-G	1	(39.26 w X 96.61 h total size ) 35.26 w X 92.61 h finish size, Dye-sub print on Eclipse Blockout Stretch, single sided, sewn with FCE-2 silicone beading around perimeter & pull tab in bottom right corner (WITH 1/4" NOTCH LEFT & RIGHT BOTTOM HORIZONTAL SIDE CORNERS)