

Vector Frame Kit 17

VF-K-17

The innovative, contemporary and clean appearance of the Vector Frame™ line of exhibit kits will captivate your audience. Kits feature push-fit fabric graphics, easy-to-assemble extrusion frames, accent lighting, and literature accessories where indicated.



Features and benefits:

- 50mm silver extrusion frame
- Exposed slim truss
- Single-sided SEG dye-sublimated push-fit fabric graphics
- Kit includes frame, dye-sublimated graphic, accent wings, four spot lights, four literature pockets and two wheeled molded shipping cases
- Lifetime hardware warranty against manufacturer defects

Dimensions:

Hardware

Graphic

Assembled unit:
221.19" w x 94.75" h x 27.57" d
5619mm(w) x 2407mm(h) x 701mm(d)

Refer to related graphic template for more information.

Approximate weight:
120 lbs / 55 kgs

Visit:
www.exhibitors-handbook.com/graphic-templates

Shipping

Additional information:

Packing case(s):
2 OCH2

Graphic material:
Dye-sublimation SEG push fit fabric

Shipping dimensions:
52" l x 29" h x 15" d
1321mm(l) x 737mm(h) x 381mm(d)

When included in a larger kit, a different packaging solution will be listed to accommodate all contents of the kit. Individual packaging no longer provided.

Approximate total shipping weight:
180 lbs / 82 kgs

Frame sections 1 and 2 are pre-assembled, some assembly required.

2 person assembly recommended:



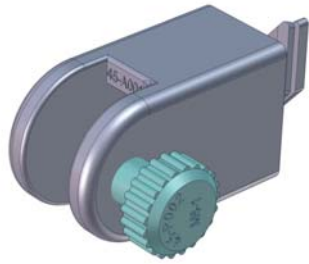
We are continually improving and modifying our product range and reserve the right to vary the specifications without prior notice. All dimensions and weights quoted are approximate and we accept no responsibility for variance. E&OE. See Graphic Templates for graphic bleed specifications.

Included In Your Kit

Tools, Components, & Connectors



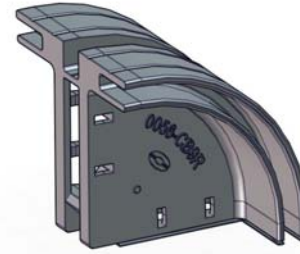
5MM ALLEN-T x1



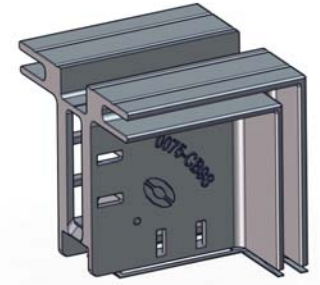
PANEL CLAMP x8



STS-1 x16



CB9-R x2



CB9-S x2



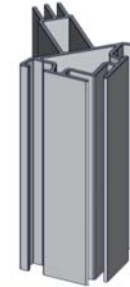
PMFC2-90-CAP x8



IB2 x9



SW-FOOT-500-LN x2



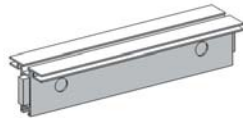
PMFC2-90-1193-L1-L1 x8



PH-1155-L1-S x2



PHFC2-210-L-L x4



PHFC2-1155-L-L1 x4



PHFC2-8R-30-L-L1 x4



PHFC2-8R-30-L-L x4



LUM-200-ORL x4

Included In Your Kit

Tools, Components, & Connectors



LN112 x4



PH-210-L-L-SPECIAL x4



FLANGED WING NUT x4



NT4 x4



CKSO x4

Graphics



VF-17-A-G x1



VF-17-B-G x1



VF-17-C-G x1



VF-17-D-G x1



VF-17-E-G x1



VF-17-F-G x1



VF-17-G-G x1



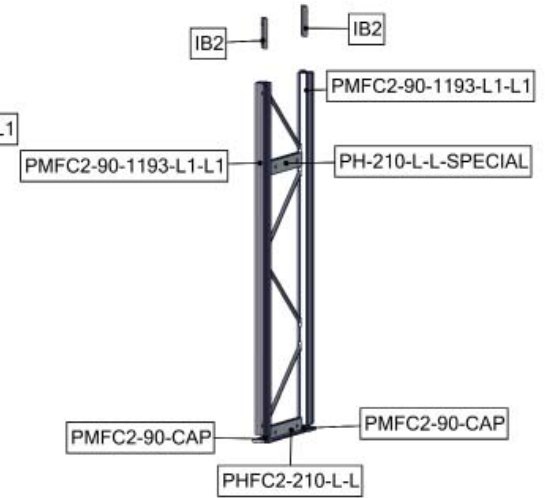
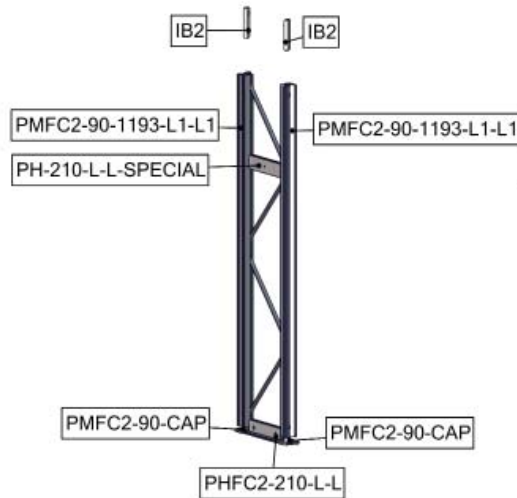
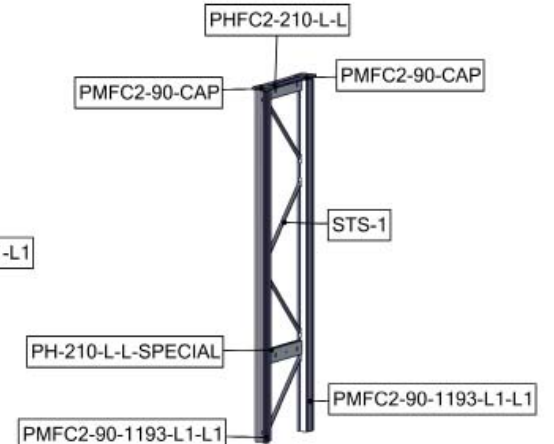
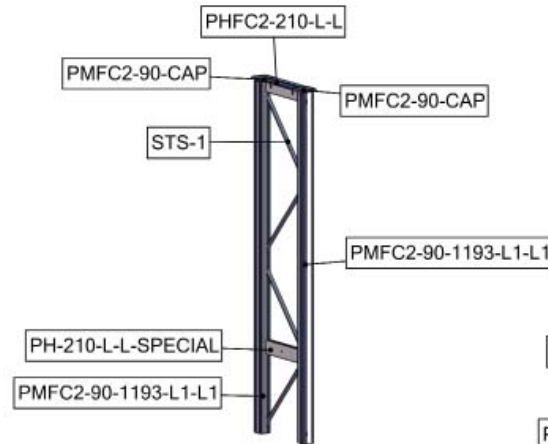
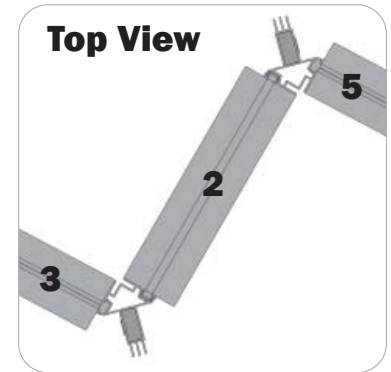
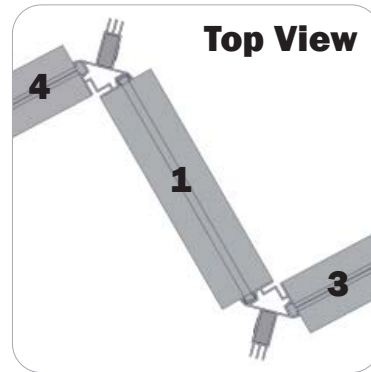
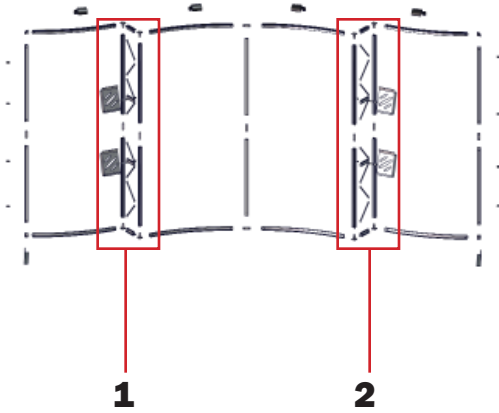
VF-17-H-G x1



VF-17-I-G x1

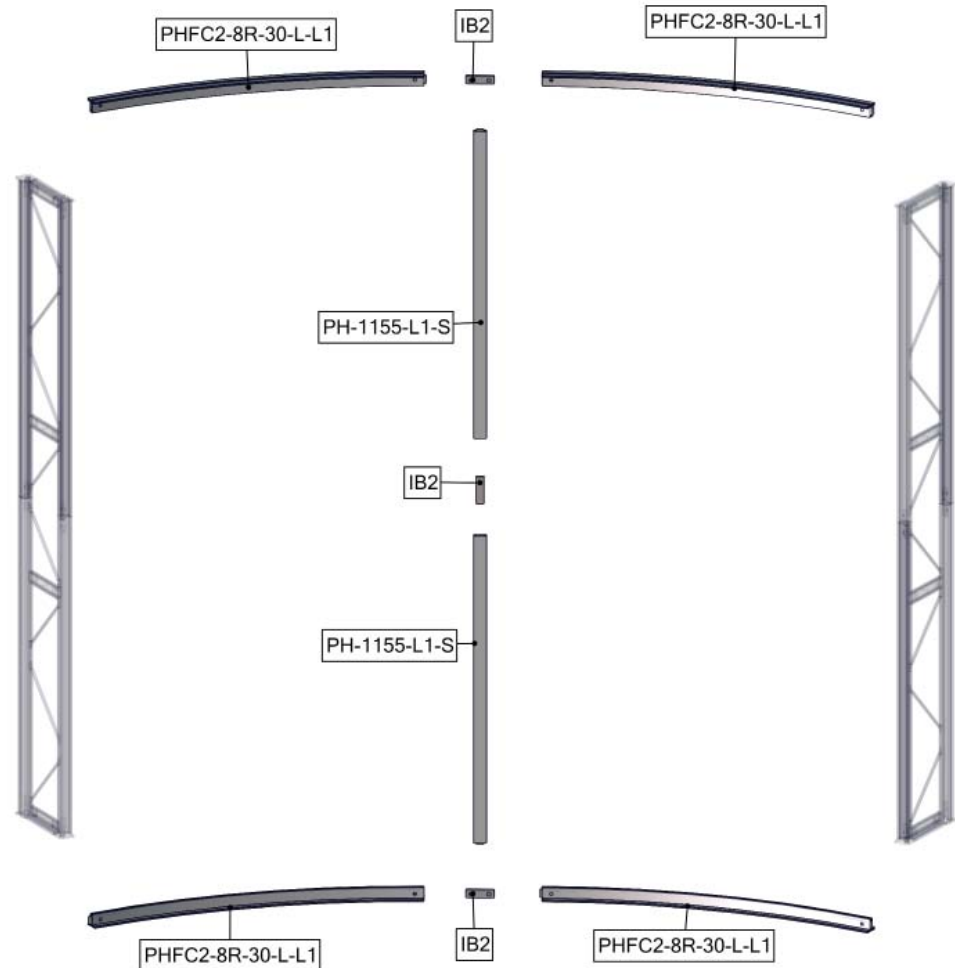
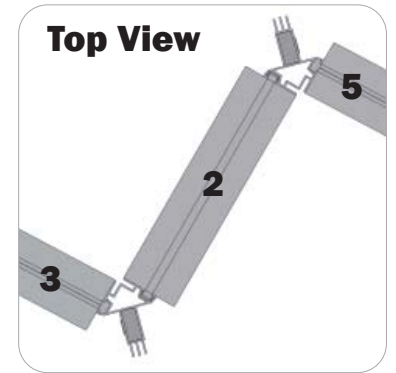
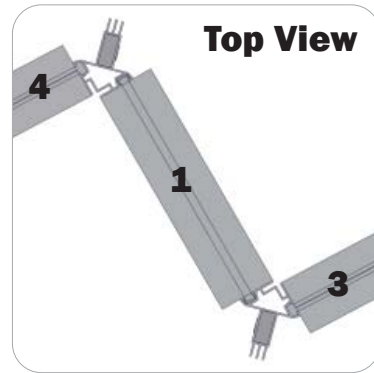
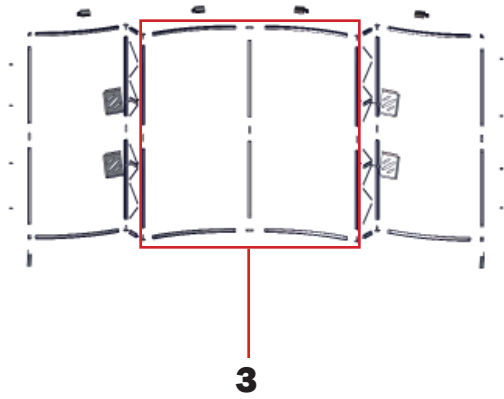
Exploded View

VF-K-17
Sections 1 and 2



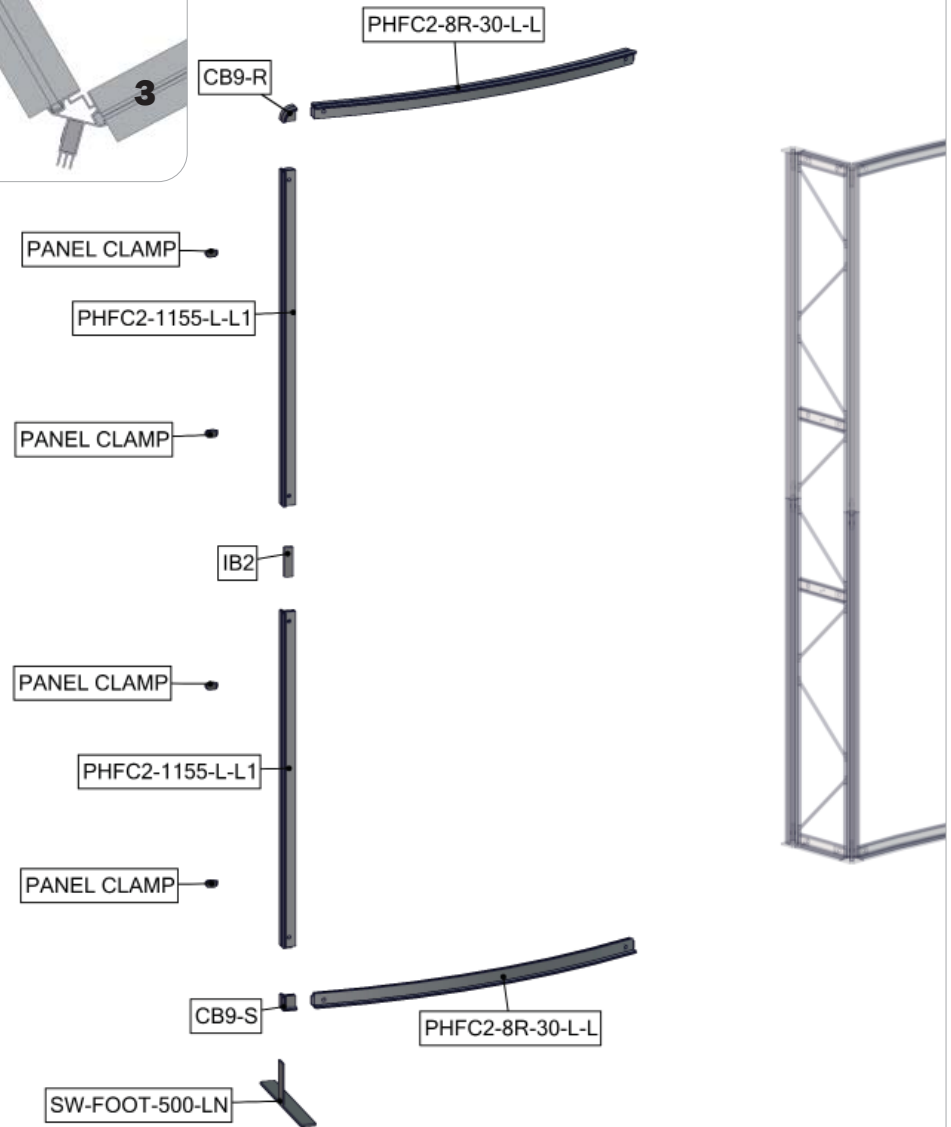
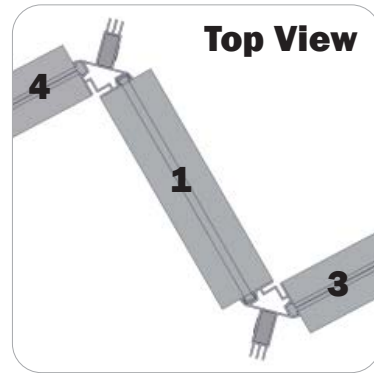
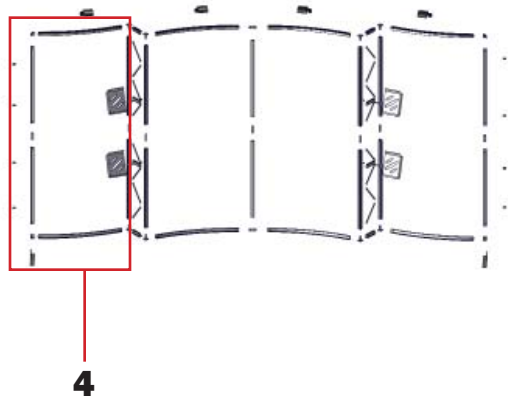
Exploded View

VF-K-17
Section 3



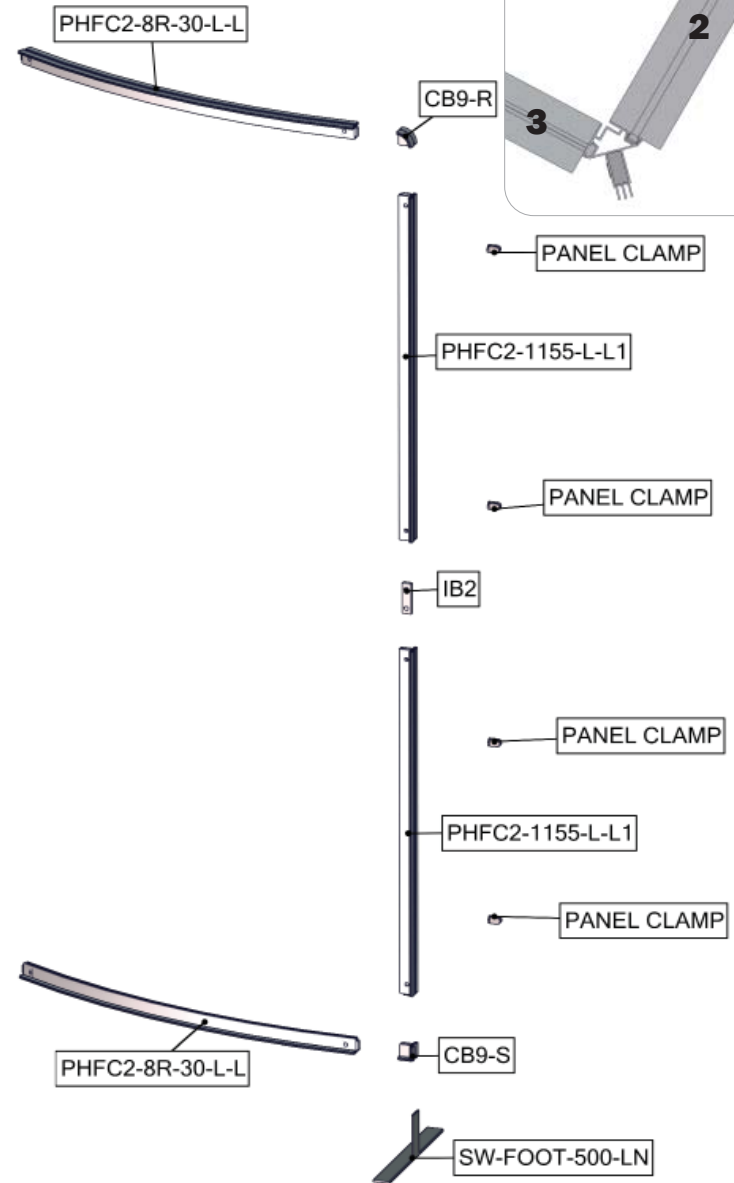
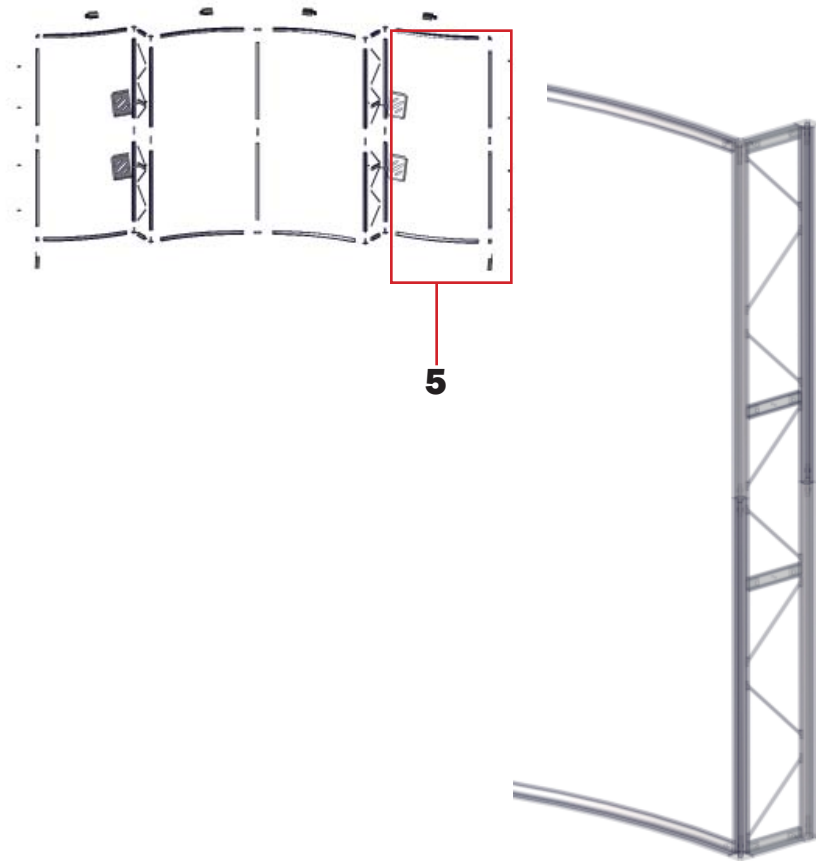
Exploded View

VF-K-17
Section 4



Exploded View

VF-K-17
Section 5



Connection Methods

Connection Method 1: PMFC2-90 / PHFC2 / PMFC2-90-CAP



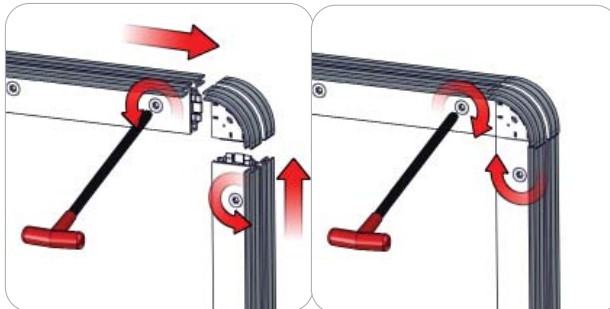
First, make sure cam lock button is unlocked. Second, place cam lock teeth into channel and lock in place making a 1/2 turn. Do not over tighten. For installing the PMFC2-90-CAP, press the plastic end cap button to insert into the PMFC2-90 extrusion. The end cap will snap in place.

Connection Method 2: IB2



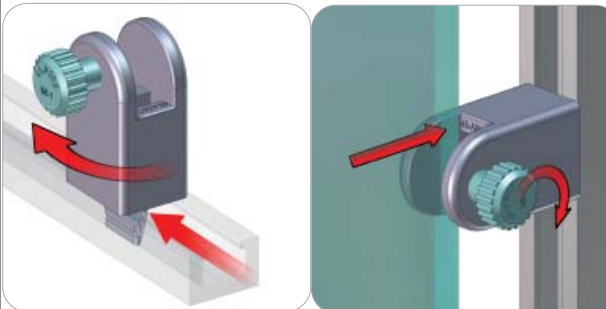
First, insert the in-line connector into the extrusion while holding in the lock button. Then, slide the next extrusion onto the same in-line connector again holding in the lock button. Finally, use the provided allen key to lock the in-line connector in place. Use the allen key tool to turn the lock buttons, make quarter turns and do not over tighten the lock buttons.

Connection Method 3: CB9-R / CB9-S



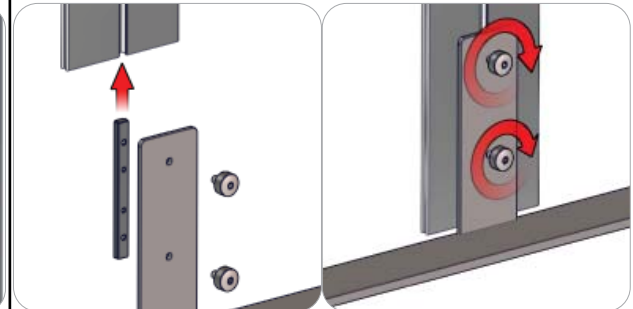
First, make sure the cam lock button is unlocked. Second, insert the cam lock teeth in to corner bracket channel. Third, tighten the cam lock button. Use the allen key tool to turn the lock buttons, make quarter turns and do not over tighten the lock buttons. Repeat for opposite end.

Connection Method 4: PANEL CLAMP



First, place the PANEL CLAMP diamond toggle into the extrusion channel. Twist clockwise into the channel until tight. Second, loosen the clear plastic thumb screw and place your rigid graphic panel. Tighten the thumb screw to hold the panel in place. Do not over tighten the thumb screw.

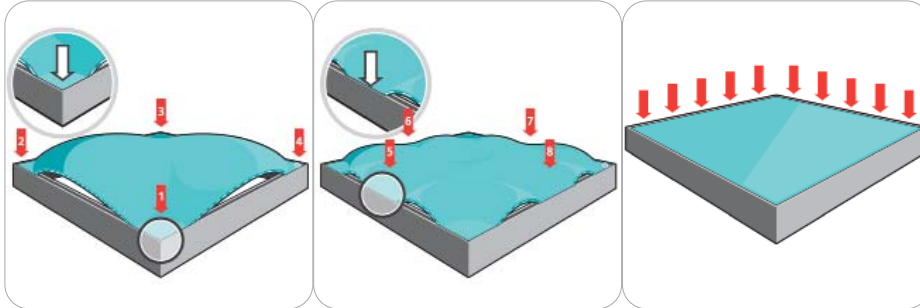
Connection Method 5: SW-FOOT-300 / 500 / 650



First, loosen the thumb screws and channel bars on the stabilizing bases. Do not disassemble them. Second, slide channel bars into the frame extrusion channel. Third, tighten the thumb screws and channel bars securing the attachment. Use the allen key tool to tighten the thumb screws, do not over tighten.

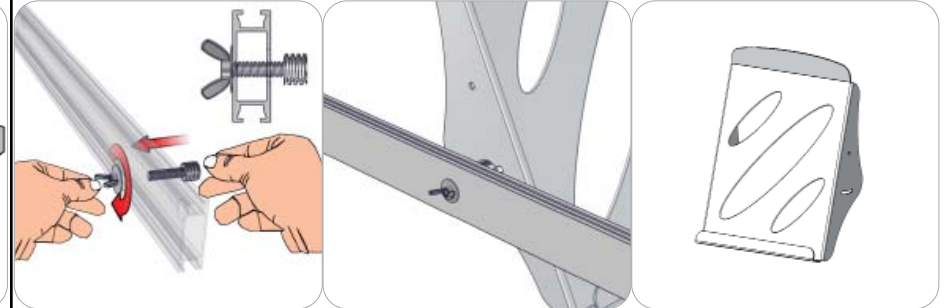
Connection Methods

Connection Method 6: Silicon Edge Graphic (SEG)



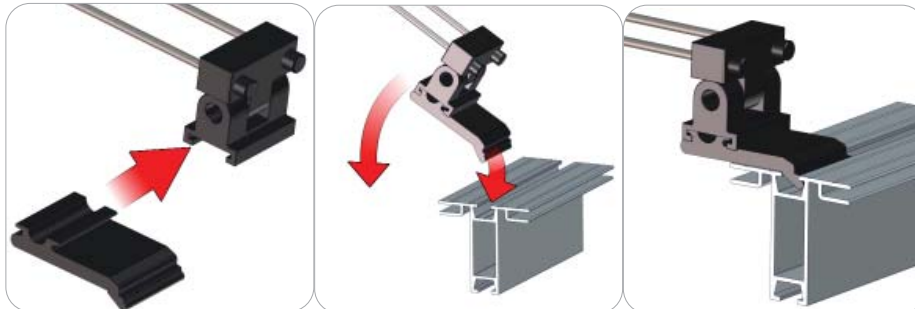
First, insert the silicone edge fabric corners into the frame extrusion graphic channel (Points 1 through 4). Second, insert the silicone edge fabric sides into the frame extrusion graphic channel (points 5 through 8). Third, push the remaining silicone edge into the frame extrusion graphic channel.

Connection Method 7: Literature Pockets LN112



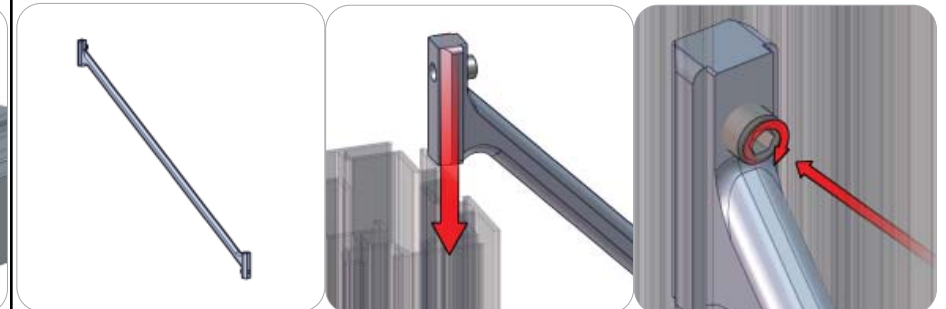
First, using your allen key tool for the installed cam locks, install the PH onto the frame extrusion channel. Second, find the hole on the center of the PH extrusion. Install the NT4 with wing nut onto the PH extrusion hole. Third, attach the standoff CKSO onto the NT4. Next, attach the LN112 onto the stand off with the CKSO cap.

Connection Method 8: LUM-200 / LN-3P-LT-FX



First, slide the light clip into the dove tail end of the spot light. Second, rest the light clip into the extrusion channel. Make adjustments to the spot light if necessary.

Connection Method 9: STS-1



First, loosen the two set screws but do not remove them from the ends of the STS-1. Second, slide the STS-1 into the extrusion channel. Adjust the STS-1 spacing apart for maximum coverage on your frame. Third, once you have the STS-1 in place, use your allen key set to gently tighten the set screws. Do not over tighten.

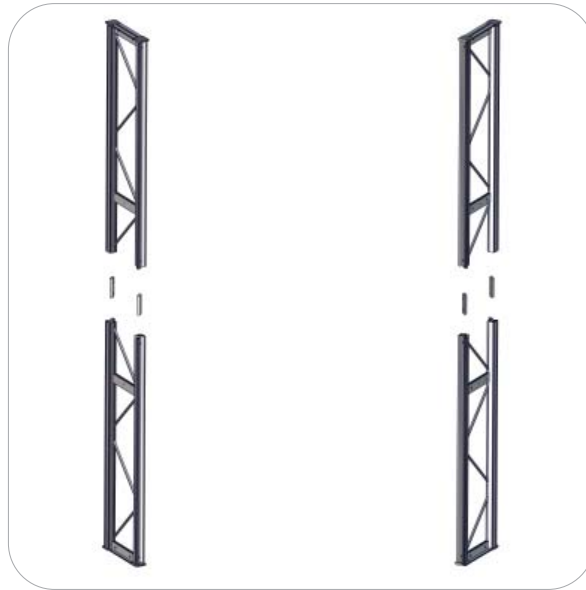
Kit Assembly

Step by Step

Step 1.

Locate all components necessary to assemble frame sections 1 and 2. Place the components in the order as shown in Exploded View sections 1 and 2.

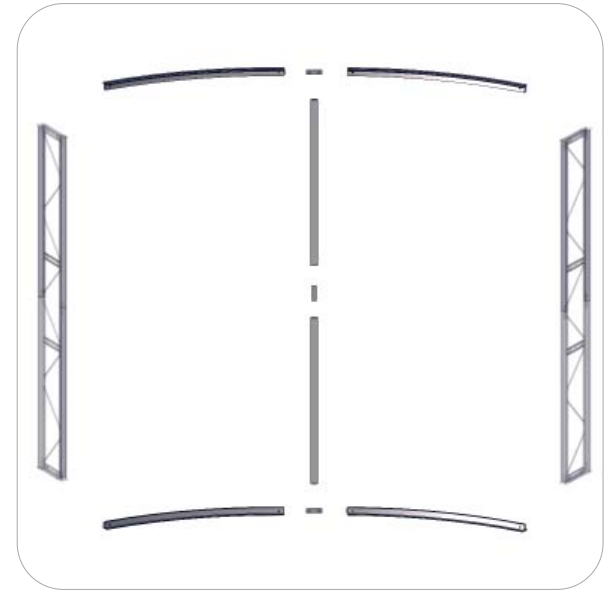
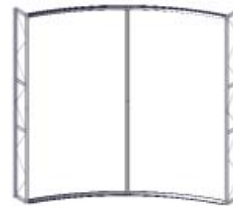
Reference Connection Methods 1, 2 and 9 for more details.



Step 2.

Locate all components necessary to assemble frame section 3. Place the components in the order as shown in Exploded View section 3. Assemble section 3 to sections 1 and 2.

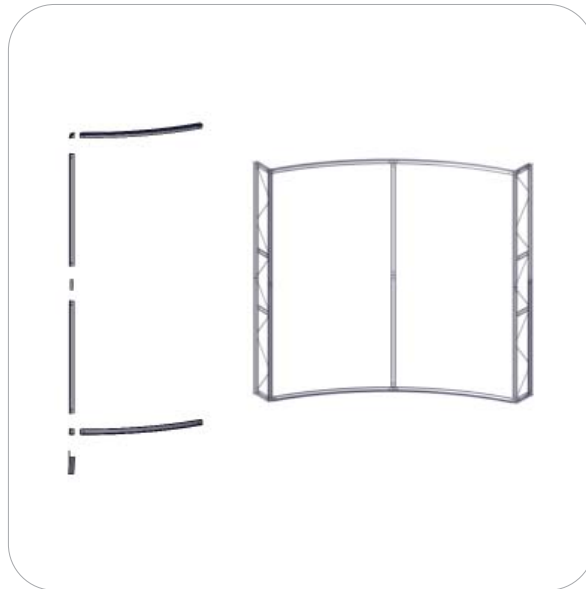
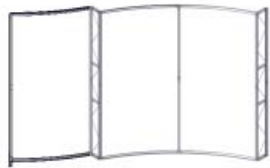
Reference Connection Methods 1 and 2 for more details.



Step 3.

Locate all components necessary to assemble frame section 4. Place the components in the order as shown in Exploded View section 4. Attach section 4 onto section 1.

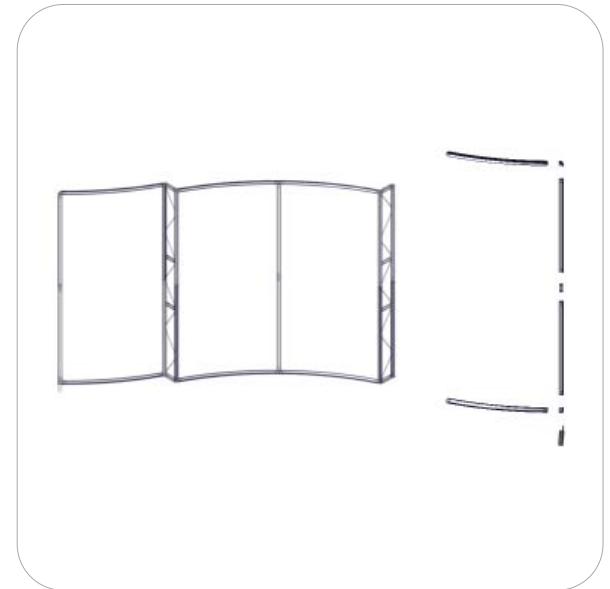
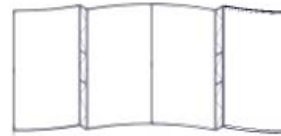
Reference Connection Methods 1, 2, 3 and 5 for more details.



Step 4.

Locate all components necessary to assemble frame section 5. Place the components in the order as shown in Exploded View section 5. Attach section 5 onto section 2.

Reference Connection Methods 1, 2, 3 and 5 for more details.



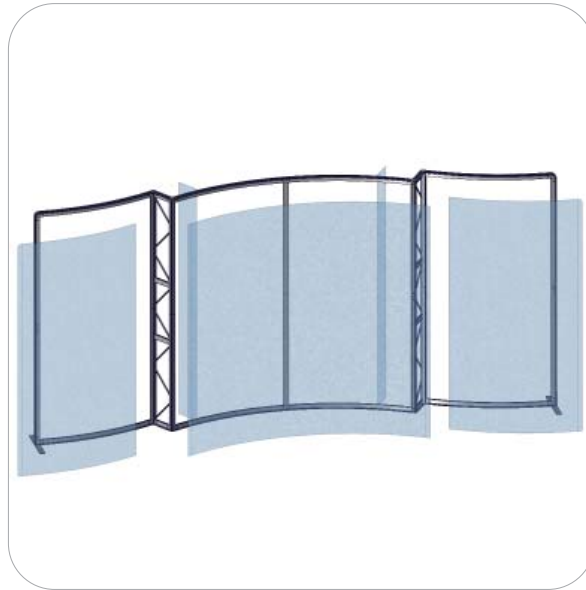
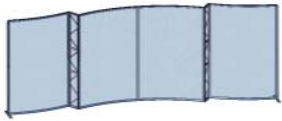
Kit Assembly

Step by Step

Step 5.

Attach the silicon edge graphic panels into the frame fabric channels. For each panel, press the 4 corners in first, then work the sides from the middle and out to the 4 corners.

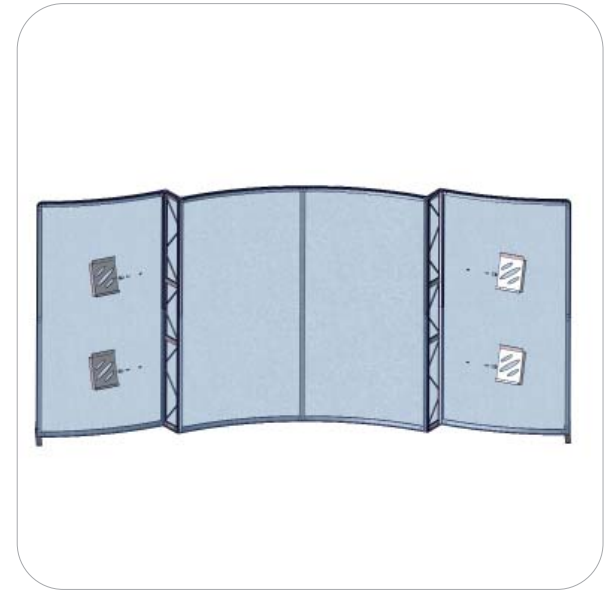
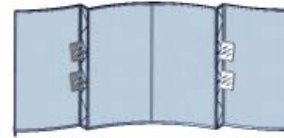
Reference connection method 6 for more details.



Step 6.

Gather the components for assembling the literature pockets. Use Exploded View Sections 1 and 2 for part location.

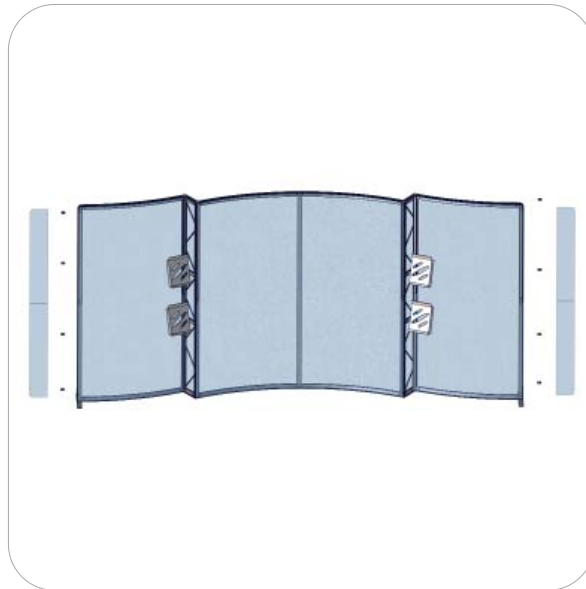
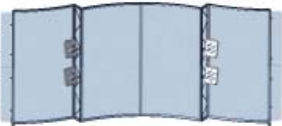
Reference Connection Method 7 for more details.



Step 7.

Evenly spaced, attach the panel clamps on to the frame extrusion channel. Once in place, attach the rigid graphic panels into the panel clamps.

Reference Connection Method 4 for more details.



Step 8.

Check the back wall for secure connections and stability. Next, gather the spot light components necessary for display lighting.

Setup is complete.

Reference Connection Method 8 for more details.

